



US00D793090S

(12) **United States Design Patent** (10) **Patent No.:** **US D793,090 S**
Allen et al. (45) **Date of Patent:** **** Aug. 1, 2017**

(54) **BRUSH WITH RECESSED BRISTLES**
(71) Applicant: **Bare Escentuals Beauty, Inc.**, San Francisco, CA (US)
(72) Inventors: **Jennifer Allen**, San Francisco, CA (US); **Sarina Godin**, Oakland, CA (US)
(73) Assignee: **Bare Escentuals Beauty, Inc.**, San Francisco, CA (US)

1,359,733 A 11/1920 Palmer
1,932,369 A 10/1921 Stoewsand
1,412,958 A 4/1922 Pearlmutter
1,419,887 A 6/1922 Myers
1,493,775 A 5/1924 Feters
1,563,031 A 11/1925 Jones
D73,782 S 11/1927 Fuld

(Continued)

(**) Term: **14 Years**

(21) Appl. No.: **29/485,705**

(22) Filed: **Mar. 21, 2014**

(51) **LOC (10) Cl.** **04-01**

(52) **U.S. Cl.**
USPC **D4/127**

(58) **Field of Classification Search**
USPC D4/127, 135; 15/191.1-193; 132/289, 132/290, 313, 317, 320
CPC A46B 3/00; A46B 3/02; A46B 3/10; A46B 3/12; A46B 9/00; A46B 9/021; A46B 9/028; A46B 2200/1033; A46B 2200/1046; A45D 27/04; A45D 40/26; A45D 40/262; A45D 2200/109
See application file for complete search history.

(56) **References Cited**

U.S. PATENT DOCUMENTS

421,812 A 2/1890 Bonner
790,622 A 5/1905 Erskine
922,178 A 6/1909 Hardman
955,061 A 4/1910 Erskine
1,092,710 A * 4/1914 Hartmann 15/110
1,106,378 A 8/1914 Hardman
1,120,476 A * 12/1914 Hansen A46B 15/00
15/104.94
1,197,210 A 9/1916 Jordan
1,247,484 A 11/1917 Albrecht, Jr.
1,358,597 A 11/1920 Tobias

FOREIGN PATENT DOCUMENTS

DE 202014003461 5/2014
FR 663618 A * 8/1929 A45D 27/04
JP 1521255 4/2015

OTHER PUBLICATIONS

MakeupByJoyce—Brush Reviews, Mar. 2013 [online], Sigma F80 Cosmetic Brush, pp. 2-3, [retrieved on Dec. 31, 2014] Retrieved from the Internet using Web Archive: <URL: http://web.archive.org/web/*/http://www.makeupbyjoyce.com>.*

(Continued)

Primary Examiner — Manpreet Matharu
Assistant Examiner — Aula Soroush
(74) *Attorney, Agent, or Firm* — Flaster/Greenberg P.C.

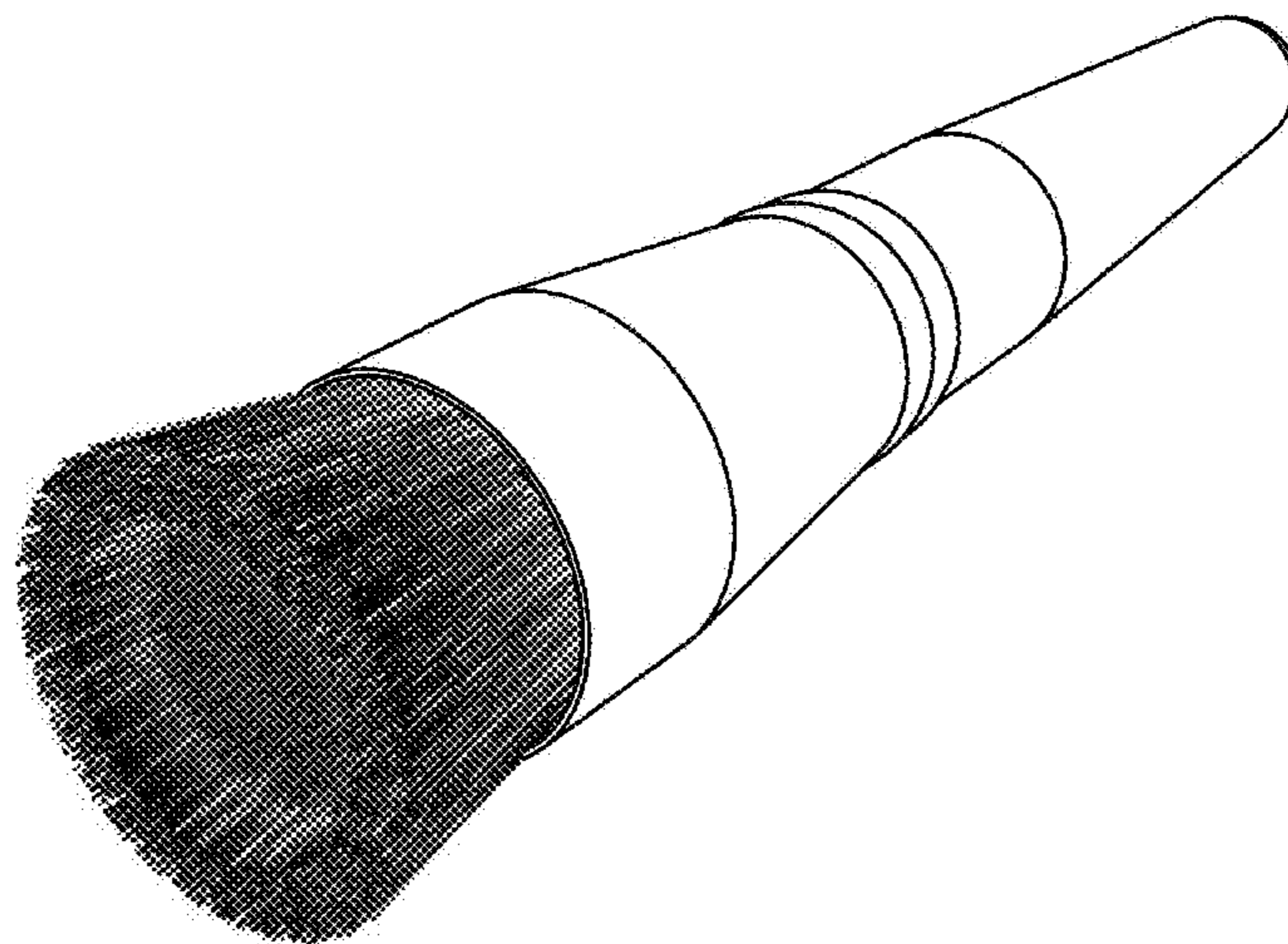
(57) **CLAIM**

The ornamental design for a brush with recessed bristles, as shown and described.

DESCRIPTION

FIG. 1 shows a front and right perspective view of a brush with recessed bristles;
FIG. 2 shows a right side view of a brush with recessed bristles, the left side, front side, and back side being a mirror image thereof;
FIG. 3 shows a top plan view of a brush with recessed bristles; and,
FIG. 4 shows a bottom plan view of a brush with recessed bristles.

1 Claim, 3 Drawing Sheets



(56)

References Cited

U.S. PATENT DOCUMENTS

1,694,364 A * 12/1928 Albright, III 15/192
 1,716,211 A 6/1929 Cuevas
 1,749,052 A 3/1930 Watt
 1,763,905 A 6/1930 Rusell
 1,783,754 A 12/1930 Stepelton
 1,810,544 A 6/1931 Trupiano
 1,813,615 A 7/1931 Frazier
 1,815,119 A 7/1931 Skvorecz
 1,858,452 A 5/1932 Lancellotti
 1,904,612 A 4/1933 Bramson
 1,920,398 A 8/1933 Jones
 1,923,884 A * 8/1933 Pushee 300/21
 1,956,477 A 4/1934 Segal
 1,981,851 A * 11/1934 Aten 15/244.1
 2,067,756 A 1/1937 Espinosa
 2,145,570 A 1/1939 Miettunen
 2,240,547 A 5/1941 Buddish
 2,358,252 A 9/1944 Rowan
 2,425,474 A 8/1947 Hussey
 2,529,036 A 11/1950 Loewinsohn
 2,535,716 A 12/1950 Bella
 2,548,429 A 4/1951 Fitzgerald
 2,756,908 A 7/1956 Miller
 3,205,523 A 9/1965 Seaver
 3,309,727 A * 3/1967 Snodderly 15/160
 3,309,728 A 3/1967 Seaver
 3,343,201 A 9/1967 Cox
 3,351,418 A 11/1967 Karnuth
 3,376,095 A 4/1968 Modola
 3,470,890 A 10/1969 Nakata
 3,653,090 A 4/1972 Weaver
 3,978,852 A 9/1976 Annoni
 D251,159 S 2/1979 Tolliver
 4,454,622 A 6/1984 Poppendieck
 D278,951 S 5/1985 Kalinsky
 D278,952 S 5/1985 Kalinsky
 4,603,992 A 8/1986 Kavoussi
 4,605,022 A 8/1986 Gueret
 4,626,119 A 12/1986 Ladd, Jr.
 D304,392 S 11/1989 Reich
 4,944,625 A 7/1990 Futter
 D310,918 S 10/1990 Futter et al.
 D320,698 S 10/1991 Reich
 5,195,546 A 3/1993 Cansler
 D350,853 S 9/1994 Basque
 5,373,599 A 12/1994 Lemon
 D361,434 S 8/1995 Summers
 D405,572 S 2/1999 Bouchez
 D406,389 S 3/1999 Henry
 5,976,692 A 11/1999 Brezler, III
 6,081,958 A 7/2000 Van Staagen
 D430,731 S 9/2000 Chen
 6,224,287 B1 5/2001 Gieux
 D448,119 S 9/2001 Neues
 D450,930 S 11/2001 Mink
 6,347,425 B1 2/2002 Fattori
 D456,942 S 5/2002 Au
 6,398,027 B1 6/2002 Ryu
 6,490,747 B1 12/2002 Metwally
 D480,217 S 10/2003 Mink
 D493,287 S 7/2004 Hay
 6,795,997 B1 9/2004 Lin
 D528,736 S 9/2006 Koenig
 7,107,645 B2 9/2006 Bressler
 D536,177 S 2/2007 Arnaud
 D538,473 S 3/2007 Rhoades
 D562,005 S 2/2008 King
 D571,105 S 6/2008 Godin D4/119
 D601,804 S 10/2009 Hwang
 D613,070 S 4/2010 Huang
 D644,030 S 8/2011 Gates
 8,060,971 B1 * 11/2011 Castelluccio A46B 5/0091
 8,104,132 B2 1/2012 Mink

D663,957 S 7/2012 Garcia D4/135
 D676,666 S 2/2013 Nelson
 D692,672 S 11/2013 Chan et al. D4/128
 D697,314 S 1/2014 Tronconi
 8,678,693 B2 * 3/2014 Sturgis et al. 401/287
 8,777,507 B1 7/2014 Carey
 D727,033 S 4/2015 Shafer
 D728,943 S 5/2015 Carpentier
 D753,399 S 4/2016 Owen
 D757,442 S 5/2016 Waitesmith
 D760,455 S 6/2016 Shinozaki
 2001/0052160 A1 12/2001 Dorf
 2002/0181998 A1 12/2002 Petit
 2004/0089318 A1 5/2004 Tahara
 2004/0107521 A1 6/2004 Chan
 2004/0134002 A1 7/2004 Zimmer
 2004/0205916 A1 10/2004 Byun
 2005/0045200 A1 * 3/2005 Zeunik 132/290
 2005/0138746 A1 6/2005 Young-Chul
 2005/0188999 A1 9/2005 Byun
 2005/0257337 A1 11/2005 Clegg
 2006/0090277 A1 5/2006 Petit
 2007/0098485 A1 5/2007 Byun
 2007/0177930 A1 8/2007 Byun
 2007/0209675 A1 9/2007 Byun
 2008/0063672 A1 3/2008 Mandelli
 2009/0089949 A1 4/2009 Mink
 2009/0180825 A1 7/2009 Chang
 2010/0003066 A1 1/2010 Thorpe
 2010/0021229 A1 1/2010 Byun
 2010/0077559 A1 4/2010 Mink
 2010/0095973 A1 4/2010 Shrier
 2010/0101035 A1 4/2010 Nakamura
 2011/0174680 A1 7/2011 Arvin
 2012/0260931 A1 10/2012 Martin
 2012/0272982 A1 11/2012 Telwar
 2013/0014338 A1 1/2013 Park
 2013/0111688 A1 5/2013 Lim
 2013/0199558 A1 8/2013 Feller
 2013/0263886 A1 10/2013 Brescia
 2013/0312784 A1 11/2013 Greiner
 2014/0317864 A1 10/2014 Walther
 2014/0325775 A1 11/2014 Nakamura et al. 15/160
 2014/0325779 A1 11/2014 Dansby
 2014/0331428 A1 11/2014 Nakamura
 2014/0331429 A1 11/2014 Lim
 2015/0121638 A1 5/2015 Lim
 2015/0143652 A1 5/2015 Walker
 2015/0265039 A1 9/2015 Godin
 2015/0296965 A1 10/2015 Peskin
 2015/0296968 A1 10/2015 Hwang

OTHER PUBLICATIONS

Café Makeup—Brushes and Tools, Sep. 2011 [online], Shiseido Foundation Brush, pp. 10-11, [retrieved on Jan. 8, 2015] Retrieved from the Internet using Web Archive: <URL: http://web.archive.org/web/*/http://www.cafemakeup.com>.*
 Sephora Collection: Flatter Yourself Contour Brush Set, posted at Sephora.com, earliest date reviewed Jan. 23, 2014, [online], acquired on Aug. 31, 2016. Available from Internet, <URL: <http://www.sephora.com/flatter-yourself-contouring-brush-set-P384889?skuld=1564566&icid2=products%20grid:p384889#pdp-reviews>>.*
 Materials from Bare Escentuals Beauty, Inc. at email@bareescentuals.com (obtained Feb. 19, 2014).
 Materials from Loew Cornell at www.loew-cornell.com (obtained Mar. 12, 2014).
 BareSkin® Foundation, Pure Brightening Syrum foundation, materials from www.bareescentuals.com (obtained Jul. 16, 2014, per document itself).
 Perfecting face brush, materials from www.bareescentuals.com (obtained Jul. 16, 2014, per document).

* cited by examiner

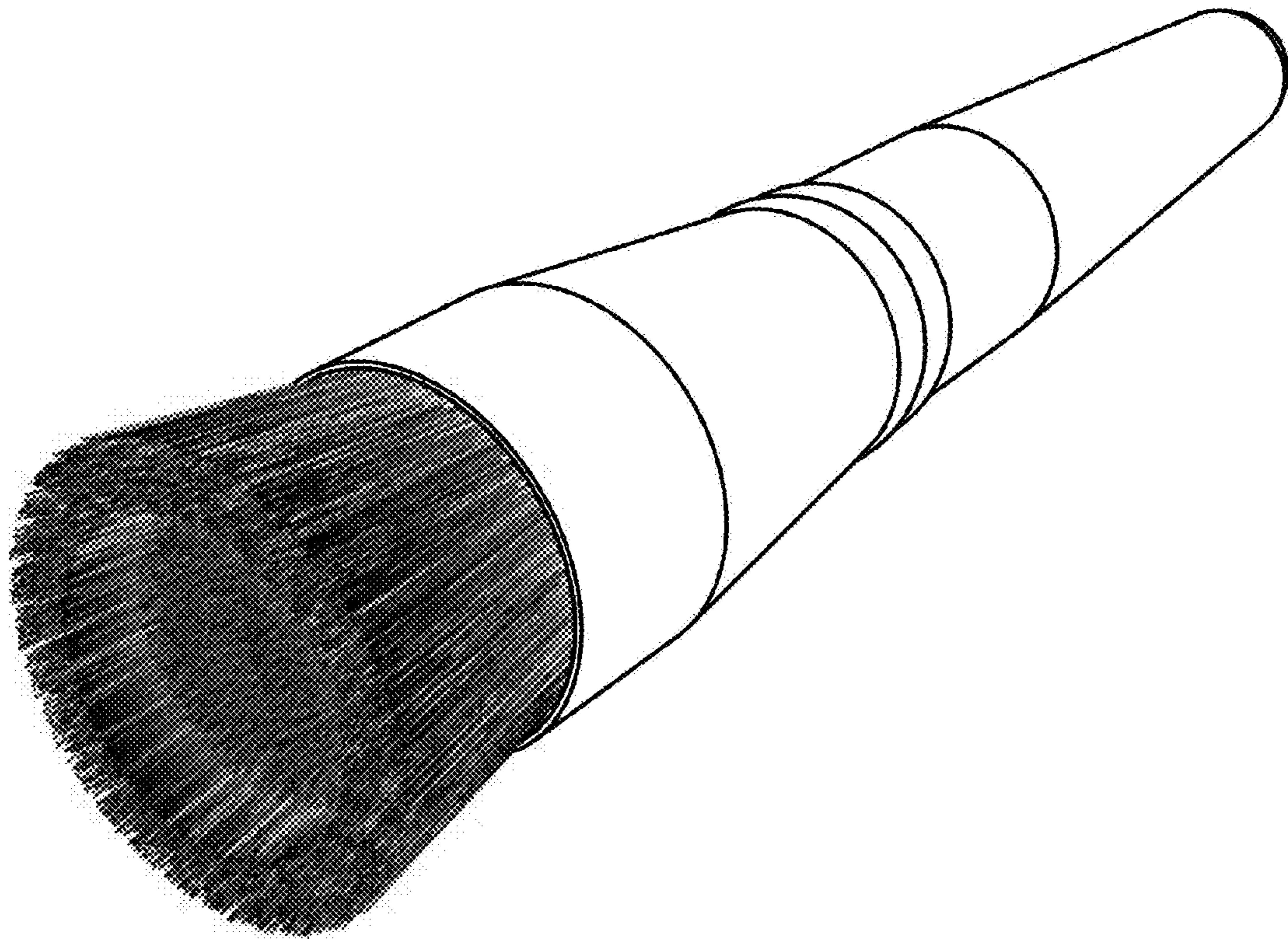


FIG. 1

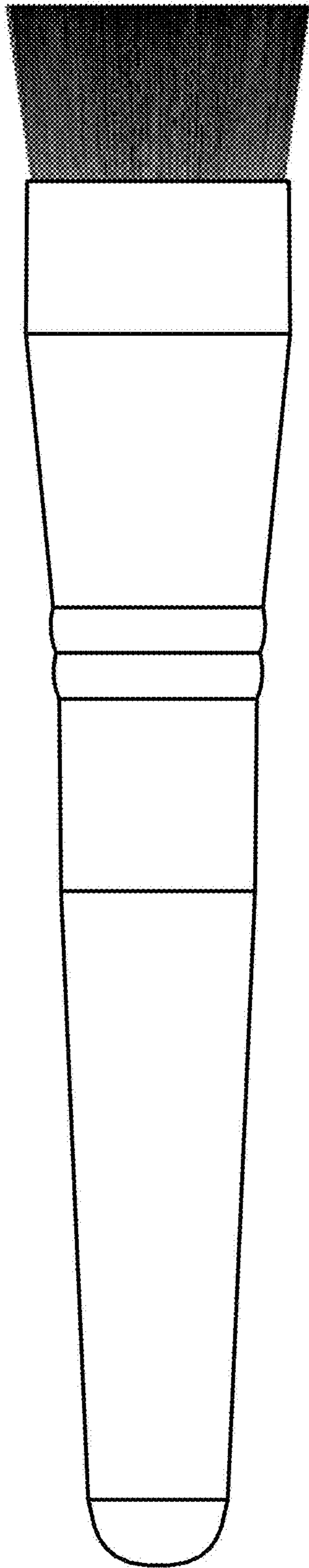


FIG. 2

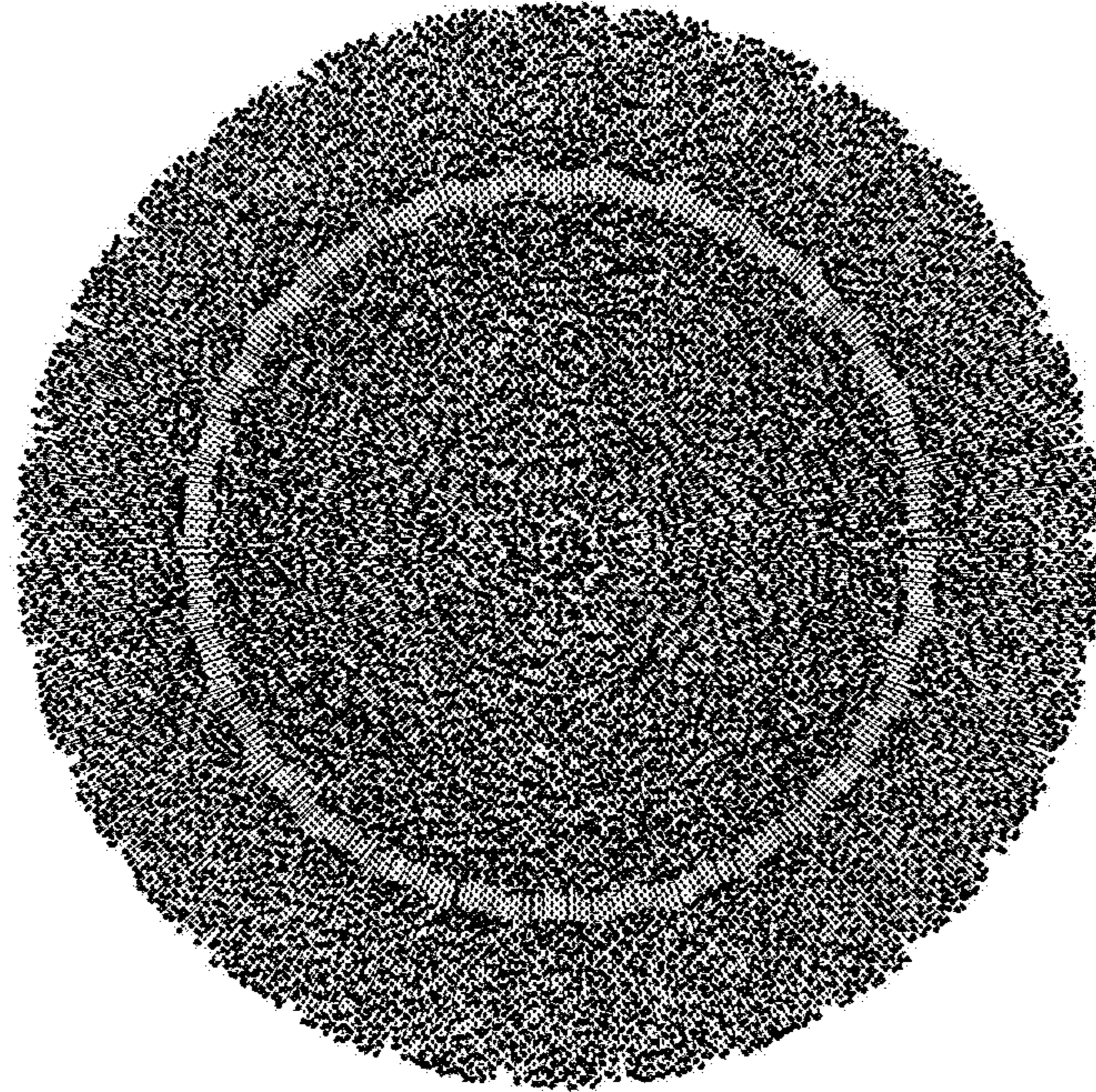


FIG. 3

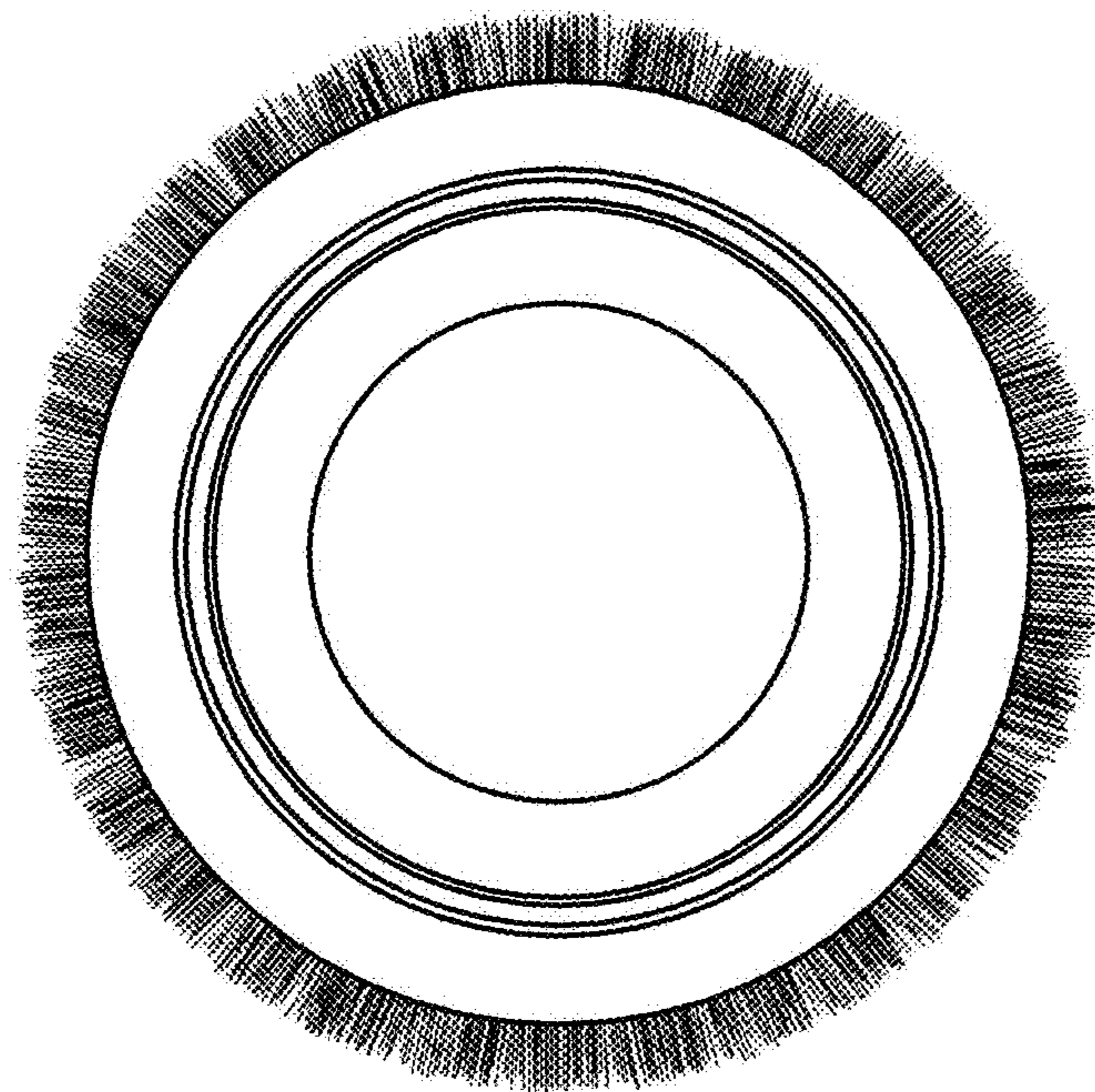


FIG. 4