



US00D793088S

(12) **United States Design Patent** (10) **Patent No.:** **US D793,088 S**
Ou (45) **Date of Patent:** **** Aug. 1, 2017**

(54) **TOOL HOLDER**

(71) Applicant: **Yu-Hua Ou**, Taichung (TW)

(72) Inventor: **Yu-Hua Ou**, Taichung (TW)

(**) Term: **15 Years**

(21) Appl. No.: **29/566,029**

(22) Filed: **May 26, 2016**

(51) **LOC (10) Cl.** **03-02**

(52) **U.S. Cl.**
USPC **D3/315**

(58) **Field of Classification Search**
USPC D3/315, 228; D6/567, 682.2; D8/71;
D9/415
CPC . B25H 3/00; B25H 3/02; B25H 3/003; B25H
3/023; B25H 3/028; B25H 3/06; B25H
3/021; B25H 1/04; B25H 1/12
See application file for complete search history.

(56) **References Cited**

U.S. PATENT DOCUMENTS

D313,889 S *	1/1991	Gakhar	D3/228
D527,903 S *	9/2006	Chan	D3/315
D664,769 S *	8/2012	Kinsky	D3/315
D688,462 S *	8/2013	Kinsky	D3/228
D720,540 S *	1/2015	Lin	D3/315

D734,612 S *	7/2015	Liu	D3/315
2004/0079662 A1 *	4/2004	Wang	B25H 3/02 206/378
2005/0241974 A1 *	11/2005	Chen	B25H 3/003 206/379

* cited by examiner

Primary Examiner — Charles Hanson

(74) *Attorney, Agent, or Firm* — Muncy, Geissler, Olds & Lowe, P.C.

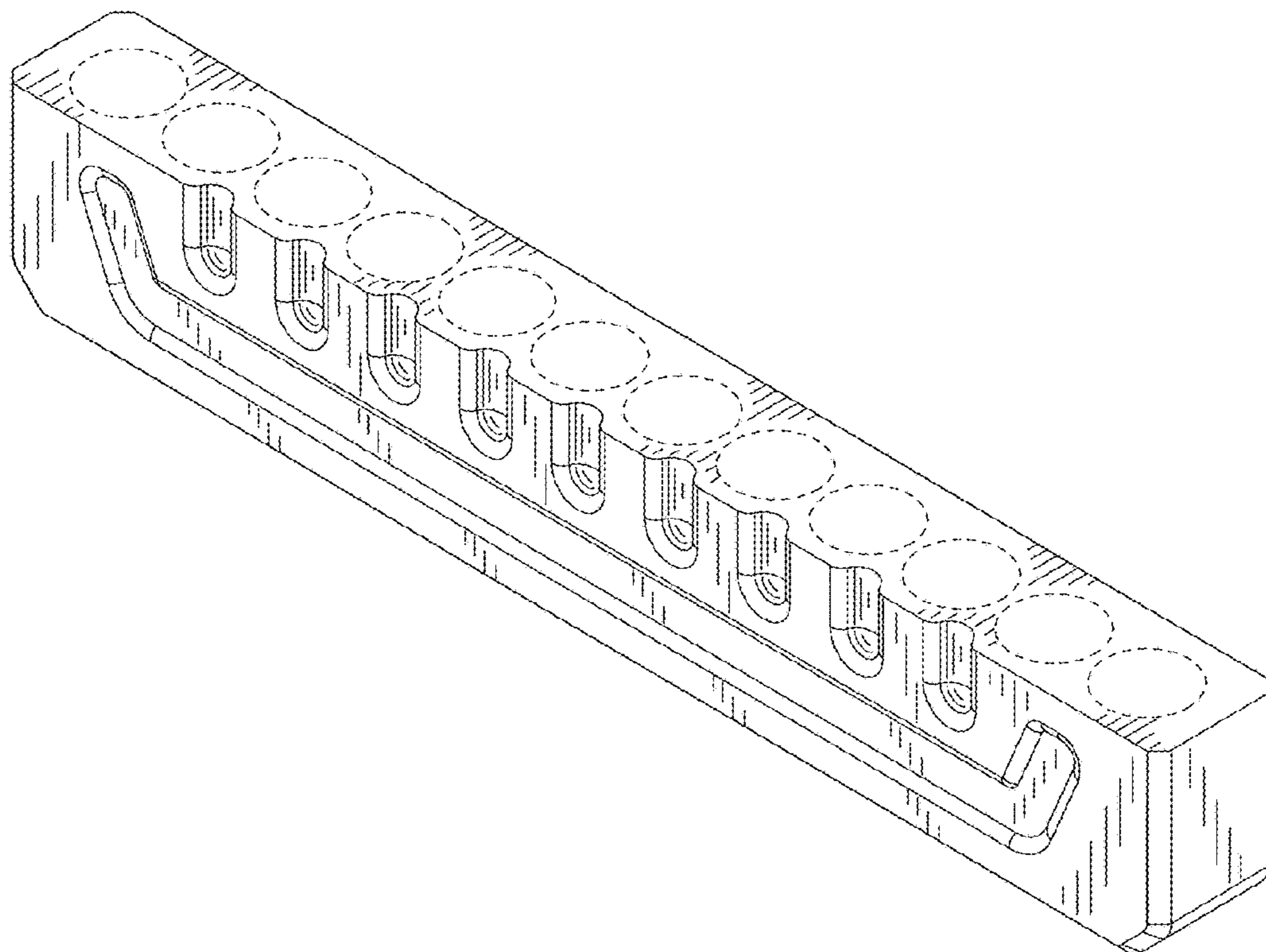
(57) **CLAIM**

I claim the ornamental design for a tool holder, as shown and described.

DESCRIPTION

FIG. 1 is a right, front, top perspective view of a tool holder showing my new design;
FIG. 2 is a front elevational view thereof;
FIG. 3 is a rear elevational view thereof;
FIG. 4 is a left side view thereof;
FIG. 5 is a right side view thereof;
FIG. 6 is a top plan view thereof;
FIG. 7 is a bottom plan view thereof; and,
FIG. 8 is a right, front, bottom perspective view.
The broken lines in the drawings illustrate portions of the tool holder which form no part of the claimed design.

1 Claim, 5 Drawing Sheets



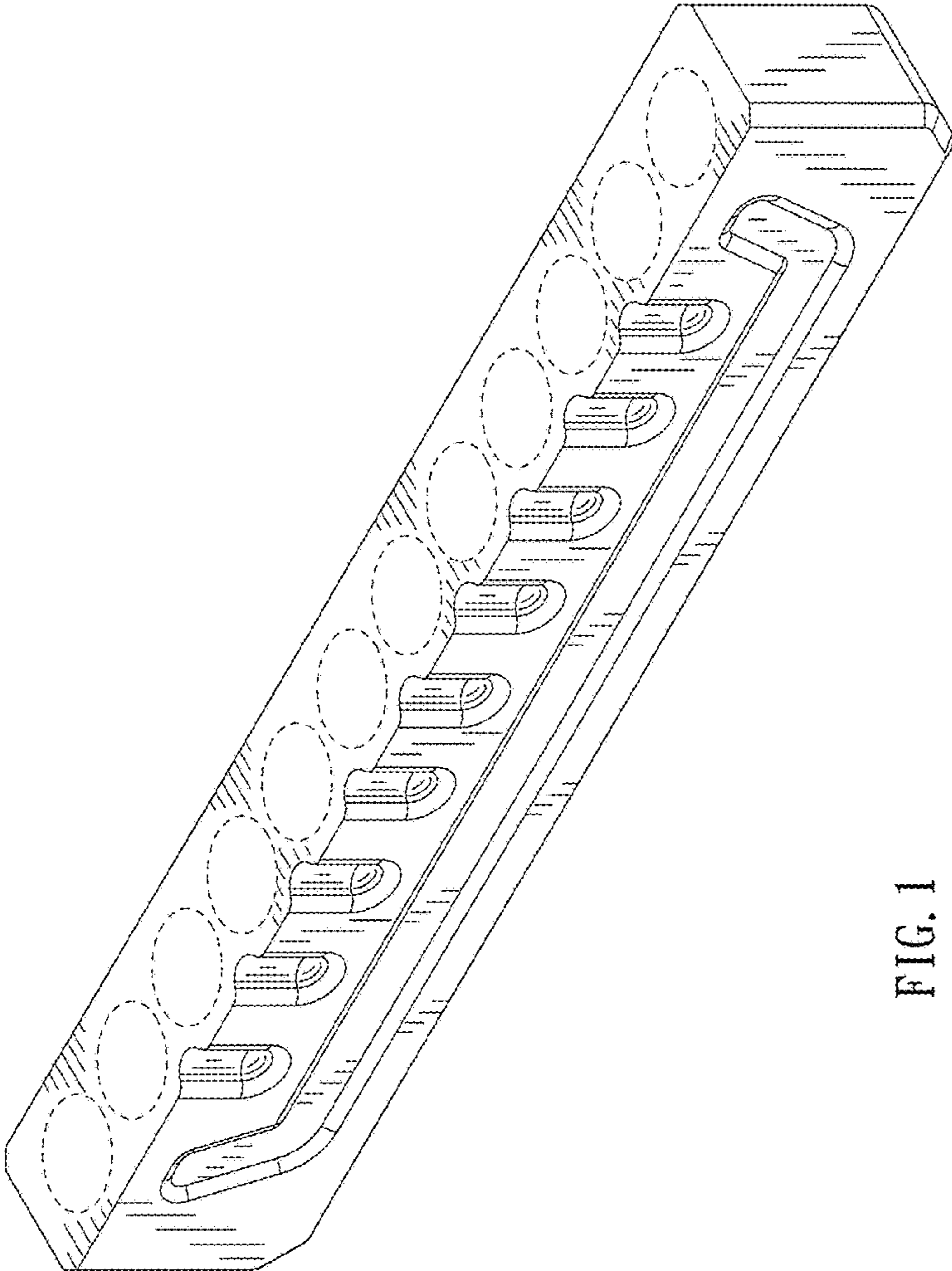


FIG. 1

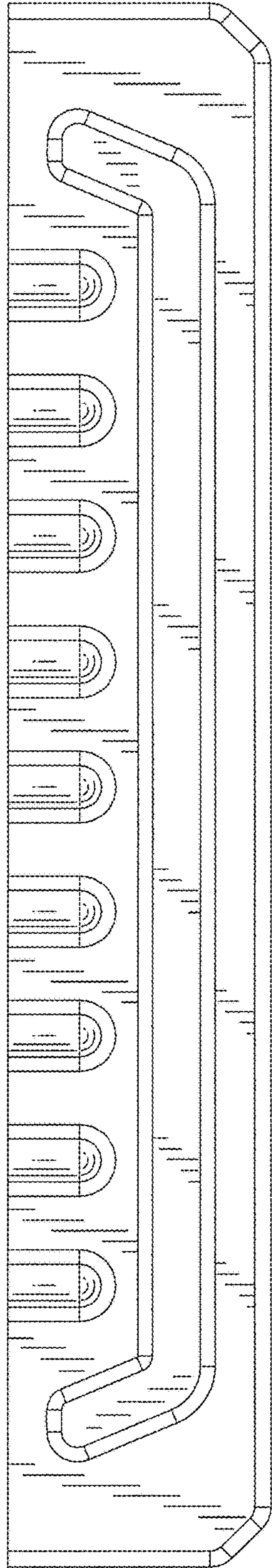


FIG. 2

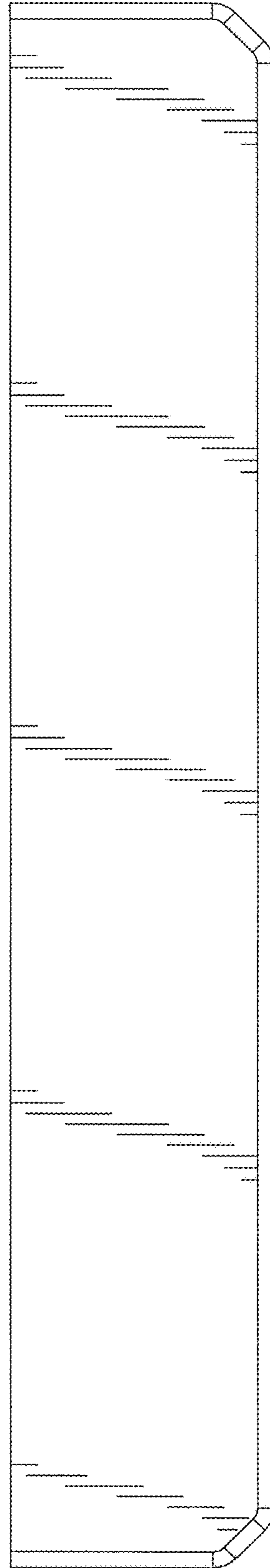


FIG. 3

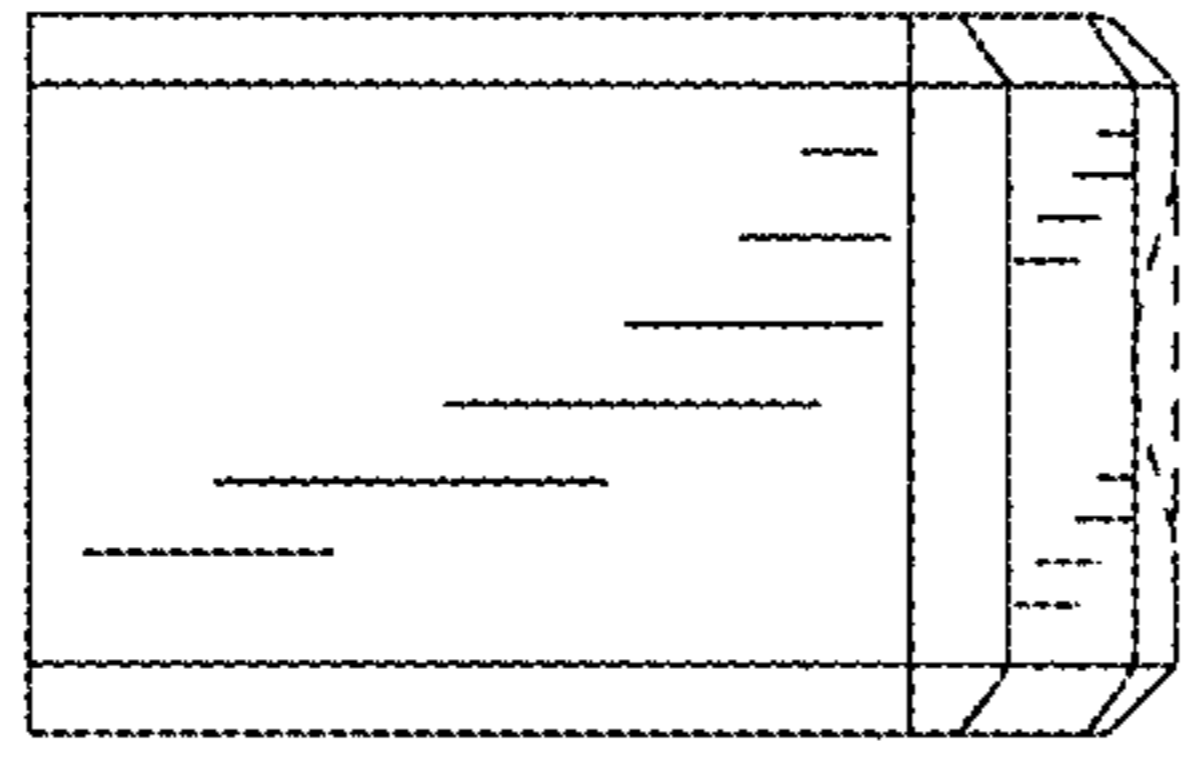


FIG. 5

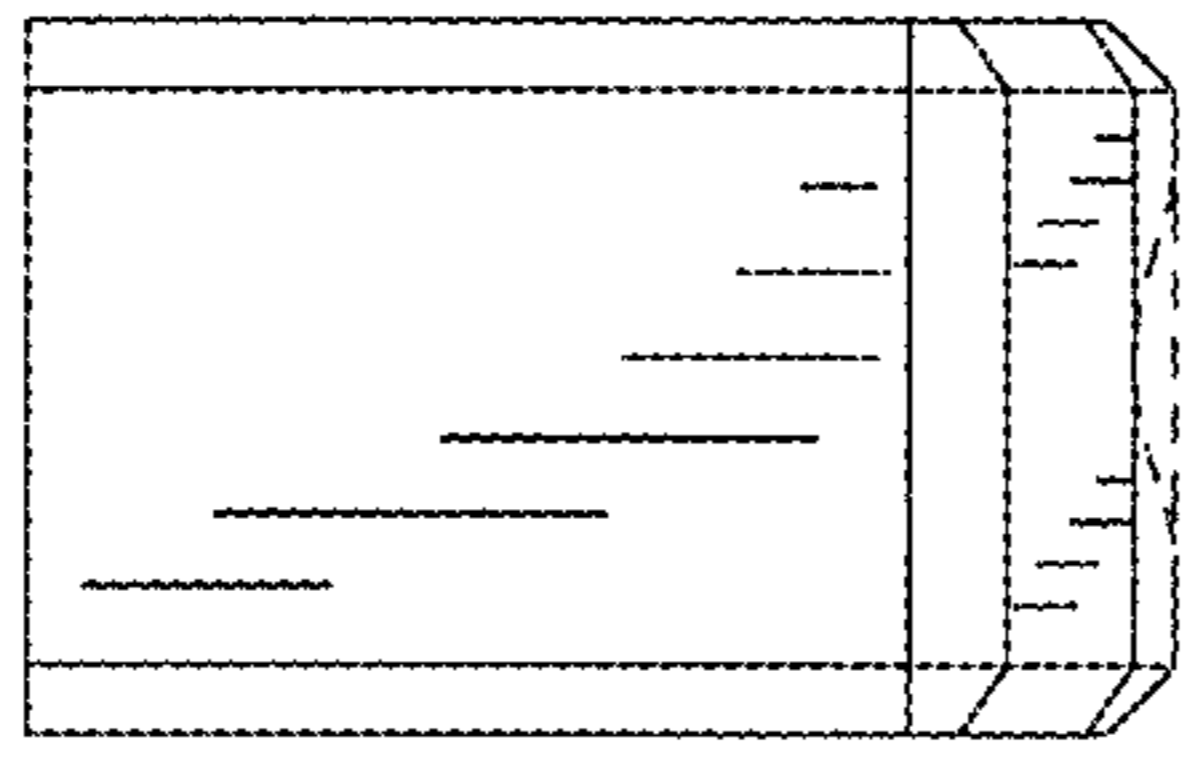


FIG. 4

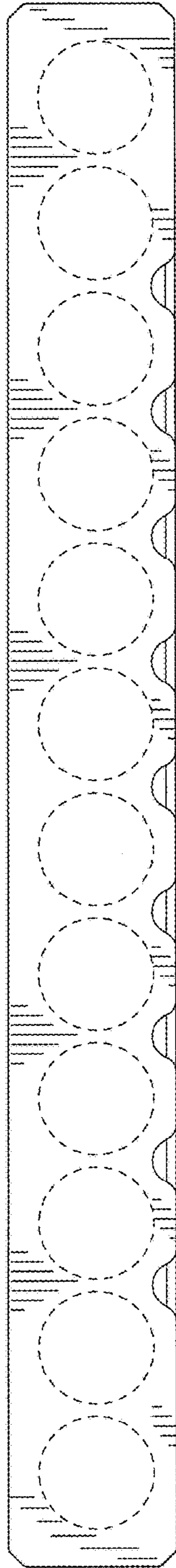


FIG. 6

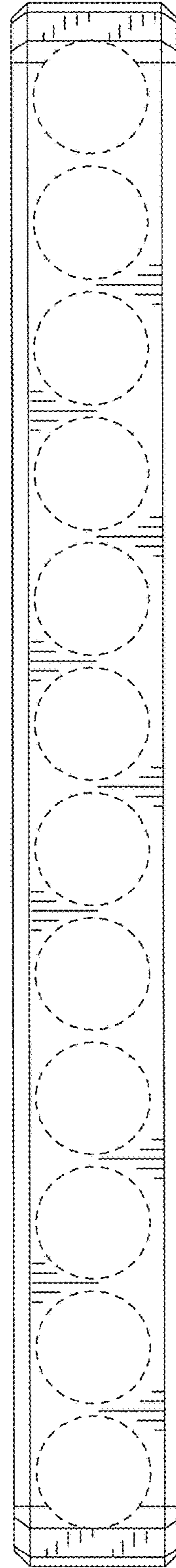


FIG. 7

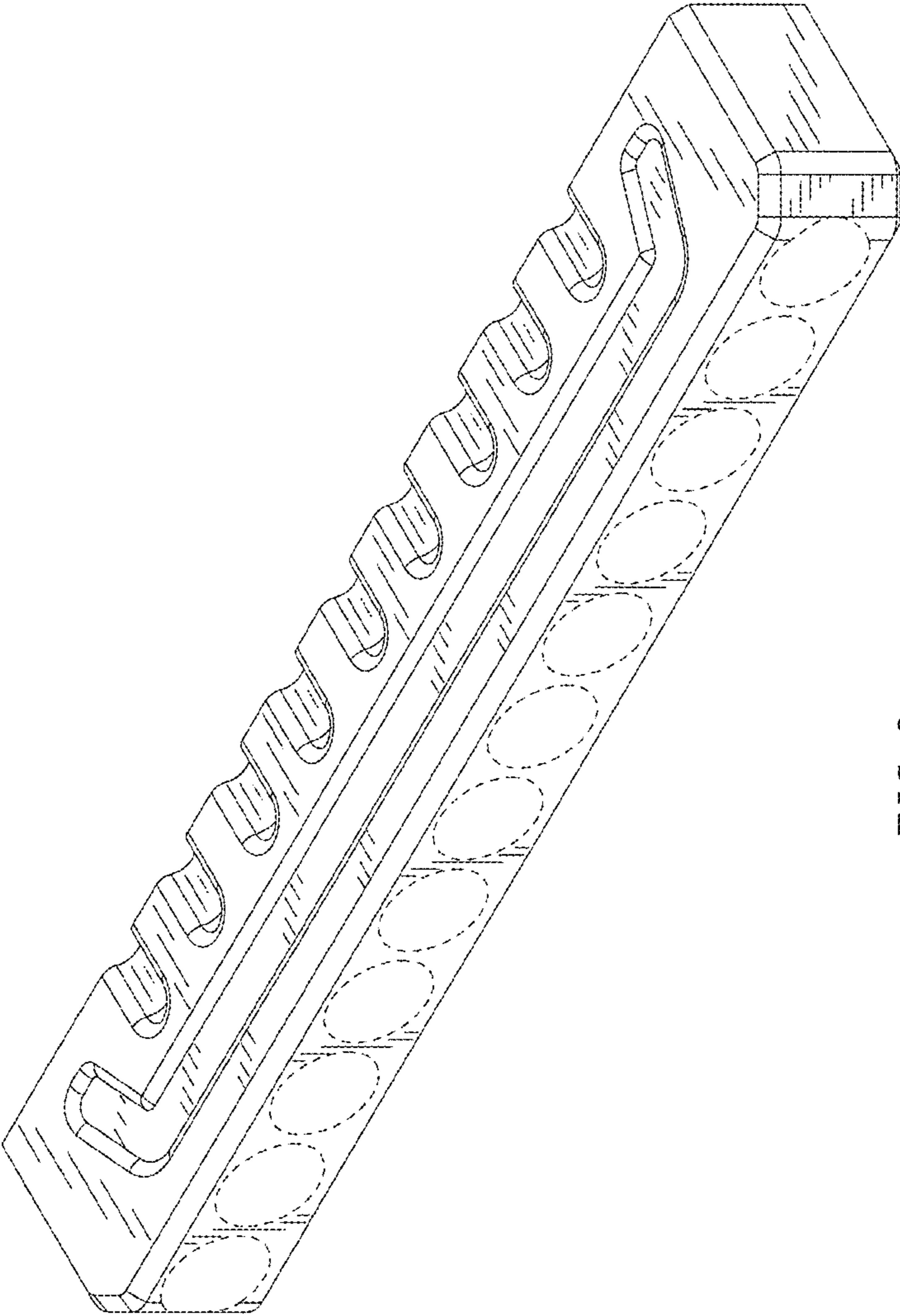


FIG. 8