

US00D793086S

(12) **United States Design Patent** (10) **Patent No.:** **US D793,086 S**
Mahanavanont (45) **Date of Patent:** **** Aug. 1, 2017**

(54) **TRAVEL CASE**
(71) Applicant: **THOMAS MENDOZA INTERNATIONAL CO., LTD.**, Hong Kong (CN)
(72) Inventor: **Thavisak Mahanavanont**, Hong Kong (CN)
(73) Assignee: **THOMAS MENDOZA INTERNATIONAL CO., LTD.**, Hong Kong (HK)

2003/0079949 A1* 5/2003 Harvey A45C 5/04
190/18 A
2005/0199459 A1* 9/2005 Harvey A45C 5/14
190/108
2007/0034539 A1* 2/2007 Henssler A45C 13/26
206/503
2008/0308568 A1* 12/2008 Grenier A45C 13/1084
220/810
2009/0078593 A1* 3/2009 Patstone A45C 9/00
206/216
2013/0292221 A1* 11/2013 Ryan A45C 5/03
190/18 A

(Continued)

(**) Term: **15 Years**
(21) Appl. No.: **29/552,994**
(22) Filed: **Jan. 27, 2016**
(51) **LOC (10) Cl.** **03-01**
(52) **U.S. Cl.**
USPC **D3/279; D3/289**
(58) **Field of Classification Search**
USPC D3/272, 273, 276, 279, 281, 282, 289,
D3/291, 292, 294, 298, 301, 321, 322
CPC A45C 5/00; A45C 5/02; A45C 5/03; A45C
5/04; A45C 5/14; A45C 5/141; A45C
5/146; A45C 7/0018; A45C 2005/032;
A45C 2005/035; A45C 2005/037; A45C
2005/142; A45C 2005/148; A45C
2200/15; A47B 85/00
See application file for complete search history.

OTHER PUBLICATIONS

Walmart. "Coleman Ration Hardside Rolling Suitcase." First Reviewed Nov. 23, 2015. Retrieved Nov. 10, 2016. (<https://www.walmart.com/ip/ColemanRationHardsideRollingSuitcase/44782684>).*

(Continued)

Primary Examiner — Jennifer Rivard
Assistant Examiner — Jerry Hsu
(74) *Attorney, Agent, or Firm* — Leong C. Lei

(57) **CLAIM**

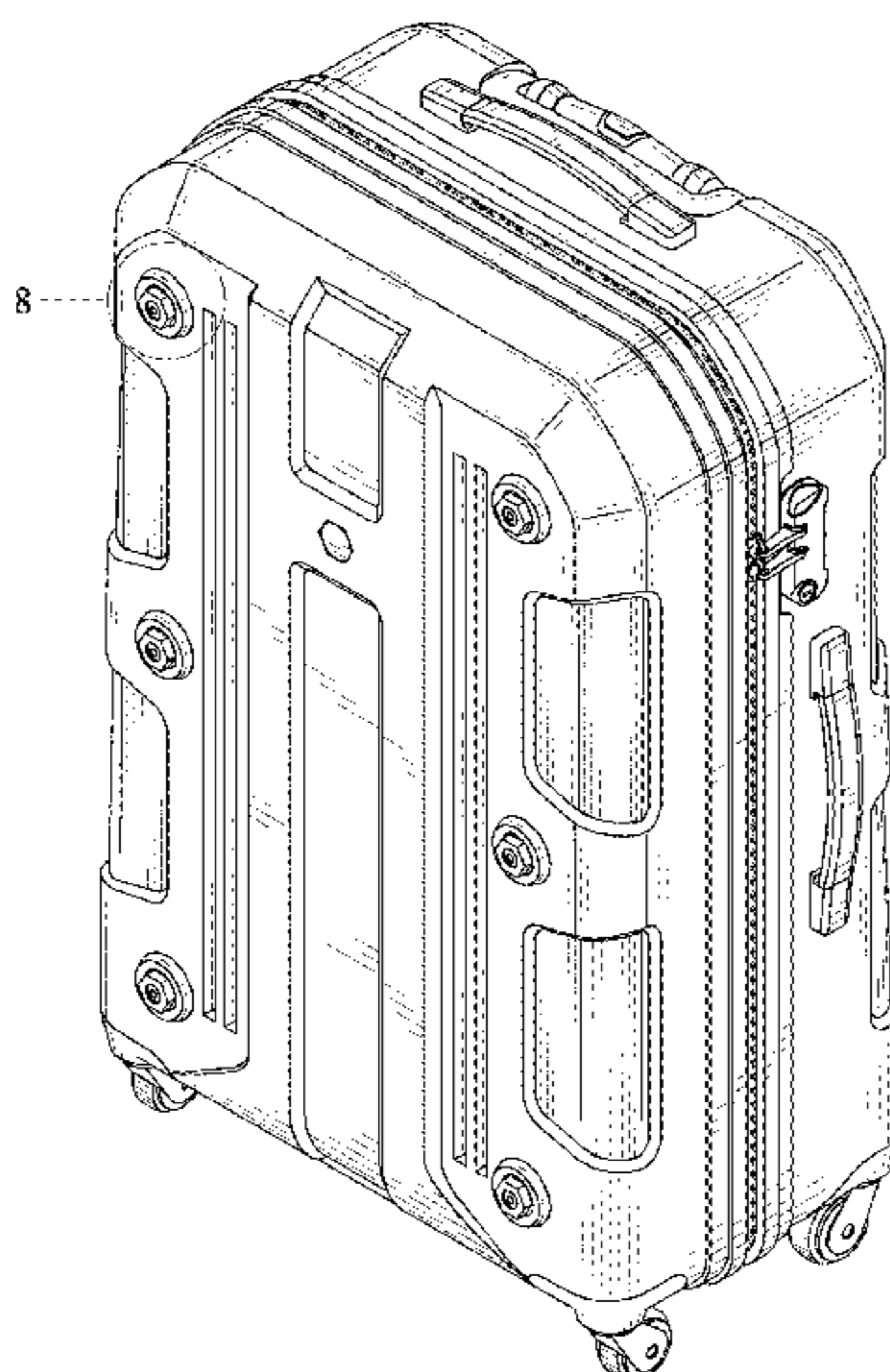
The ornamental design for a travel case, as shown and described.

DESCRIPTION

FIG. 1 is a front perspective view of a travel case showing my new design;
FIG. 2 is a front elevational view thereof;
FIG. 3 is a rear elevational view thereof;
FIG. 4 is a left elevational view thereof;
FIG. 5 is a right elevational view thereof;
FIG. 6 is a top plan view thereof;
FIG. 7 is a bottom plan view thereof; and,
FIG. 8 is an enlarged partial view of the portion indicated in FIG. 1.

1 Claim, 8 Drawing Sheets

(56) **References Cited**
U.S. PATENT DOCUMENTS
5,454,477 A * 10/1995 Bornhorst A45C 5/02
220/23.4
5,806,673 A * 9/1998 Sanderson A45C 5/00
190/115
D457,724 S * 5/2002 Och D3/273
D664,355 S * 7/2012 Moon D3/279
D752,862 S * 4/2016 Riddiford D3/272



(56)

References Cited

U.S. PATENT DOCUMENTS

2014/0166416 A1* 6/2014 Krulik A45C 5/06
190/111
2015/0150348 A1* 6/2015 Wax A45C 5/03
190/18 A

OTHER PUBLICATIONS

Hideo Wakamatsu. "Hideo Wakamatsu Stack Carry-On Blue." Retrieved Nov. 2, 2016. (<http://www.hideowakamatsu.com/collections/carryon/products/hideowakamatsustackcarryonblue1>).*

Luggage Pros. "Samsonite Cruisair DLX Hardside Spinner 30." First reviewed Mar. 9, 2016. Retrieved Nov. 10, 2016. (<https://www.luggagepros.com/samsonite-cruisair-dlx-hardside-spinner-30.shtml>).*

The Art of Braulio Cejudo. "Sci Fi Crate." Posted Dec. 4, 2013. Retrieved Nov. 10, 2016. (<http://brau3d.blogspot.com/2013/12/scificrate.html>).*

* cited by examiner

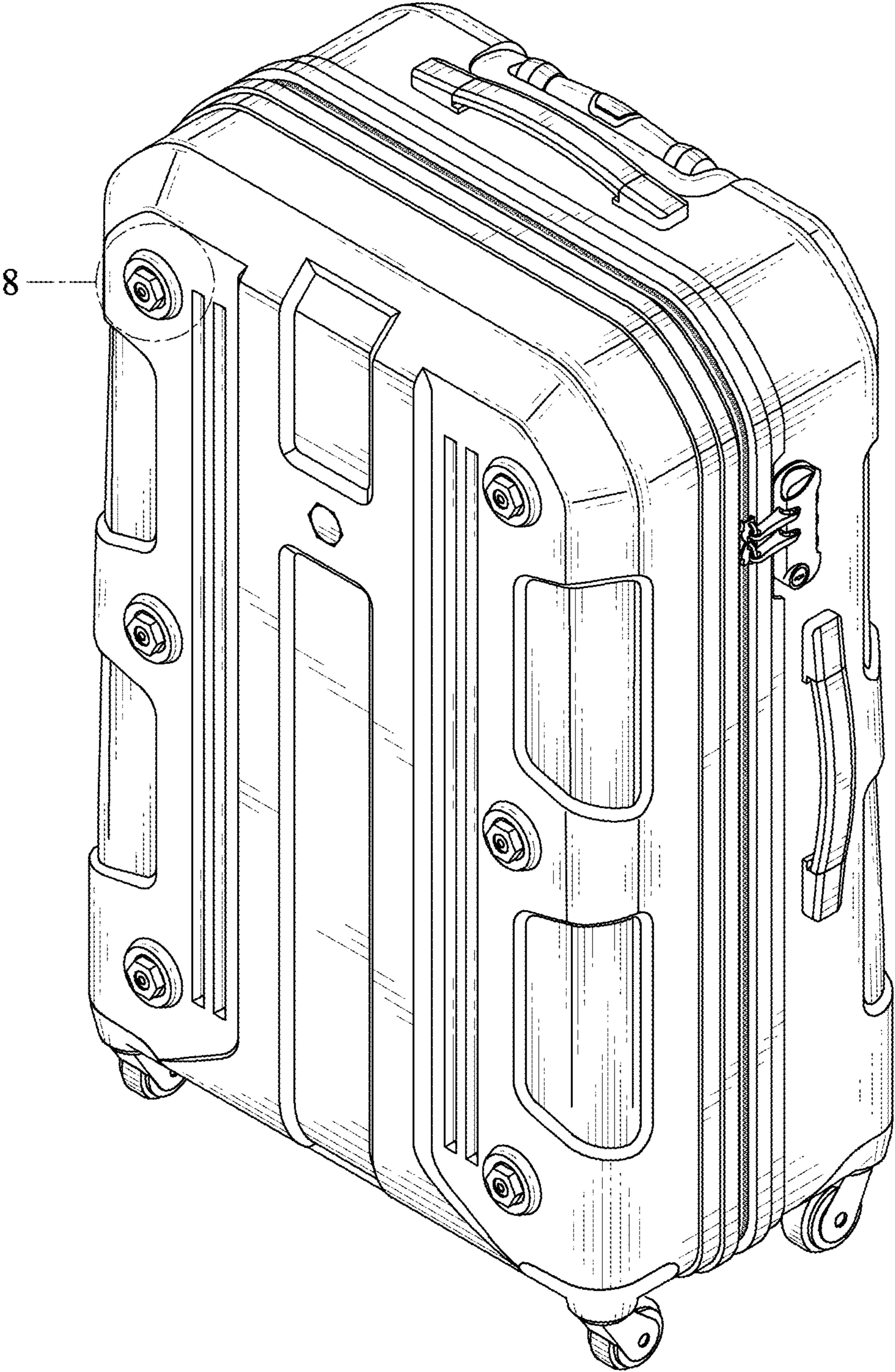


FIG. 1

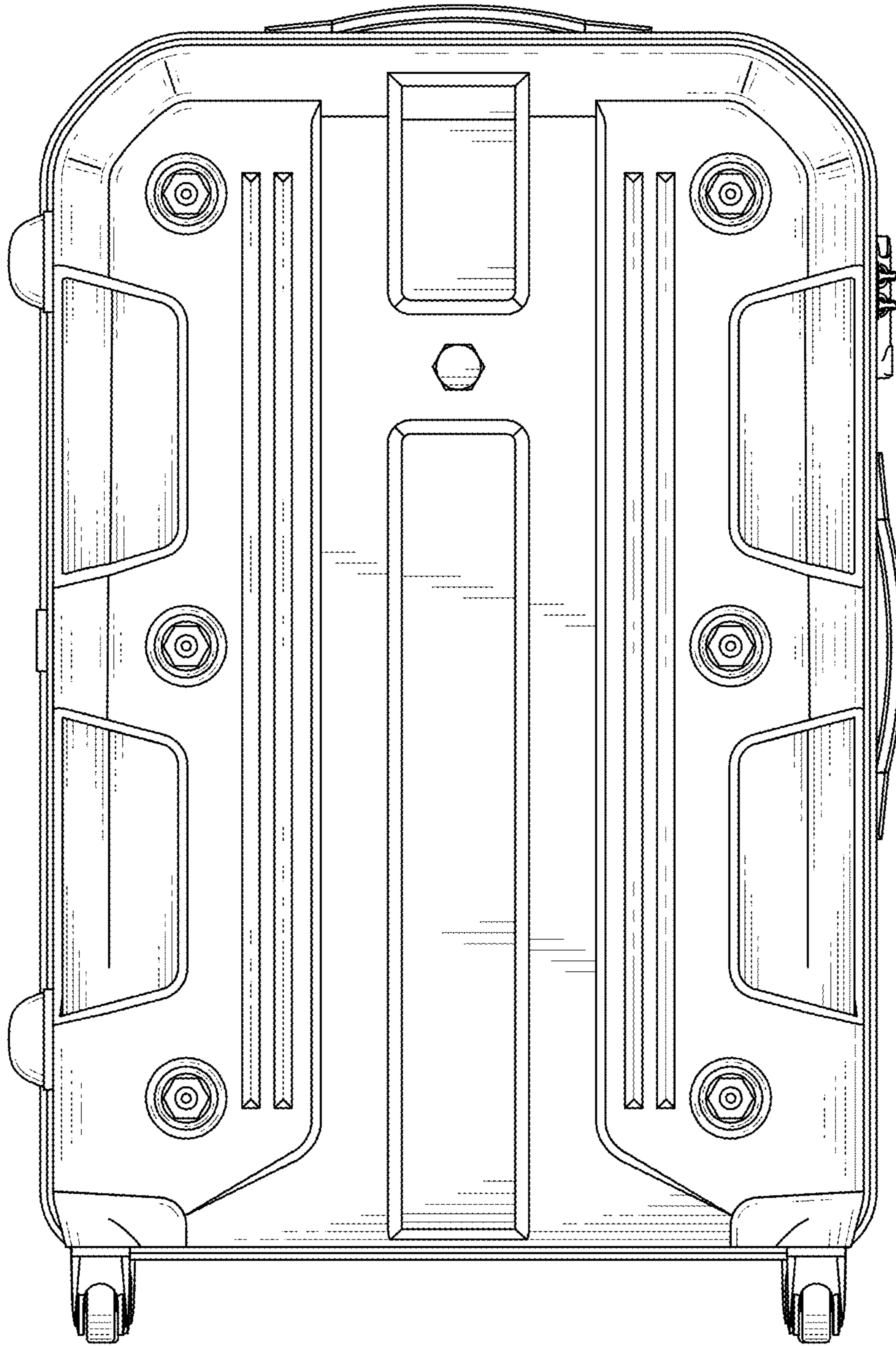


FIG. 2

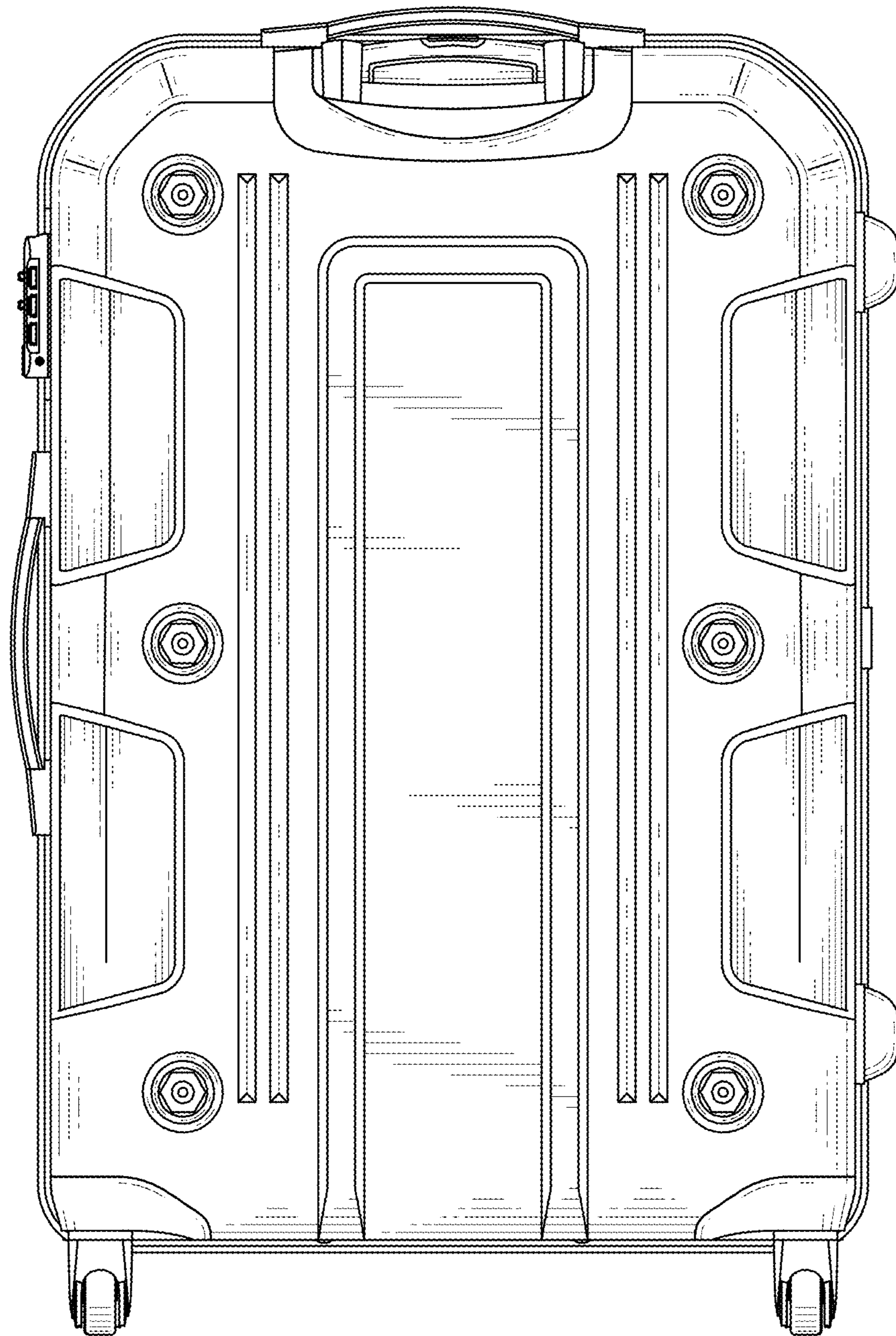


FIG. 3

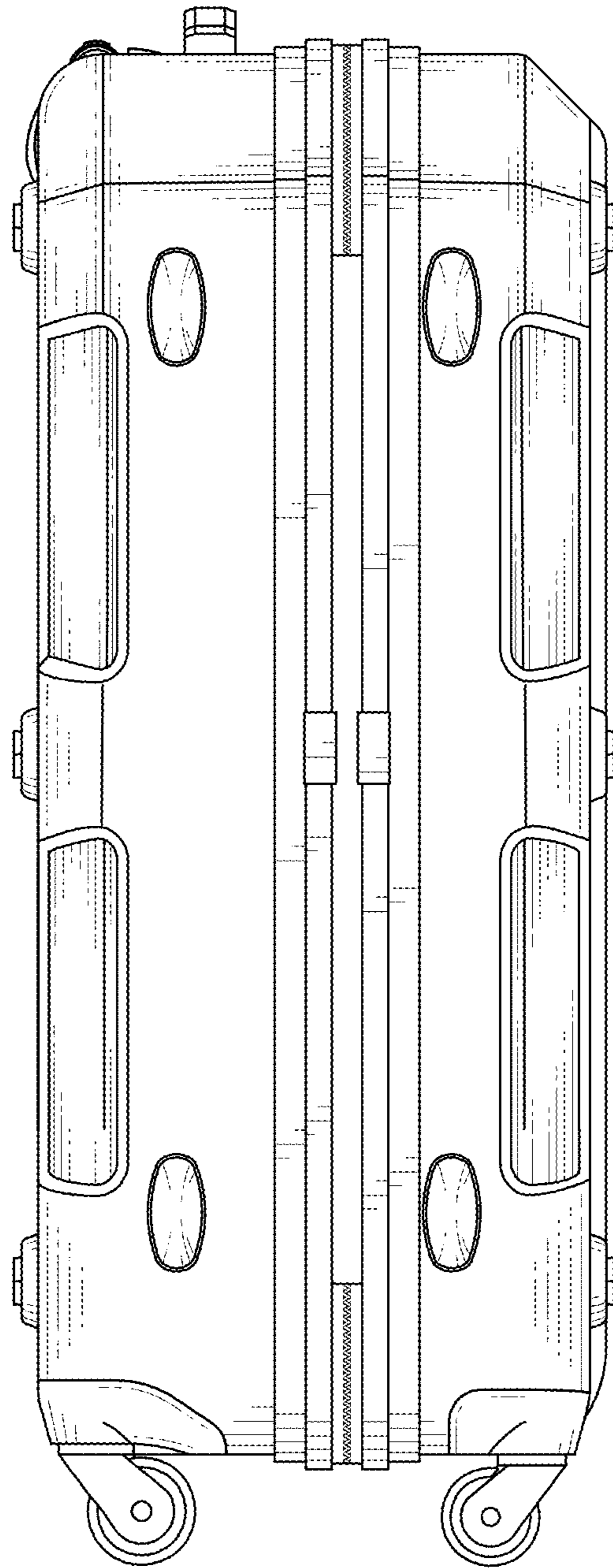


FIG. 4

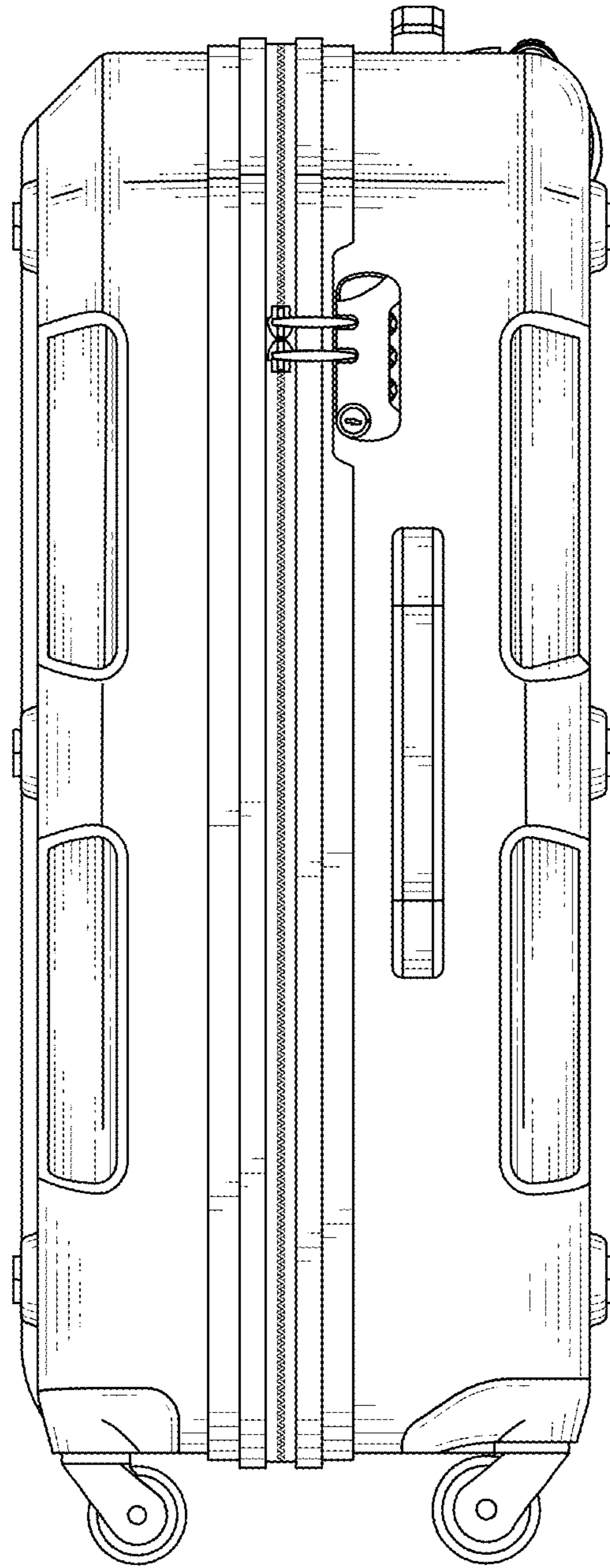


FIG. 5

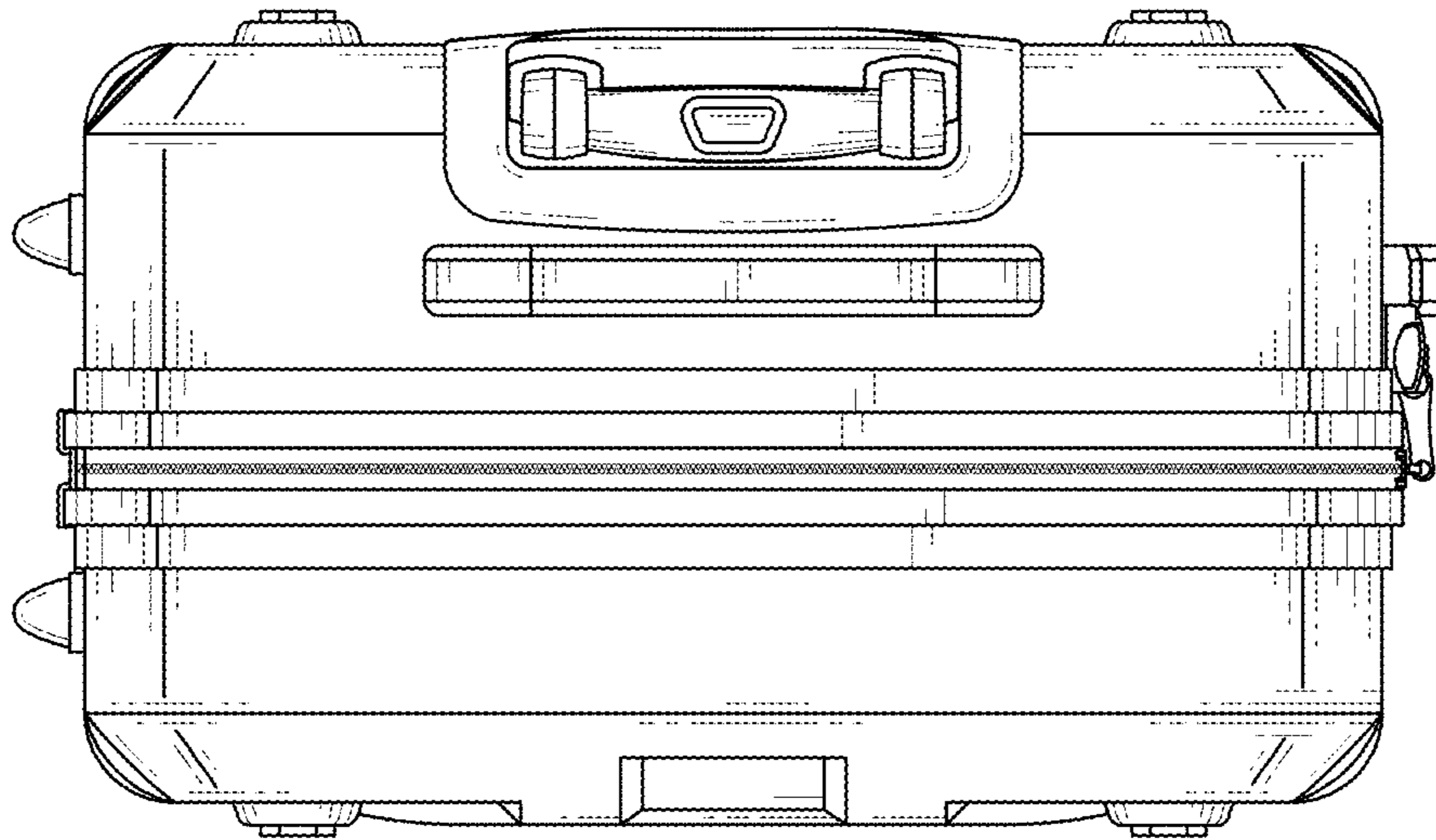


FIG. 6

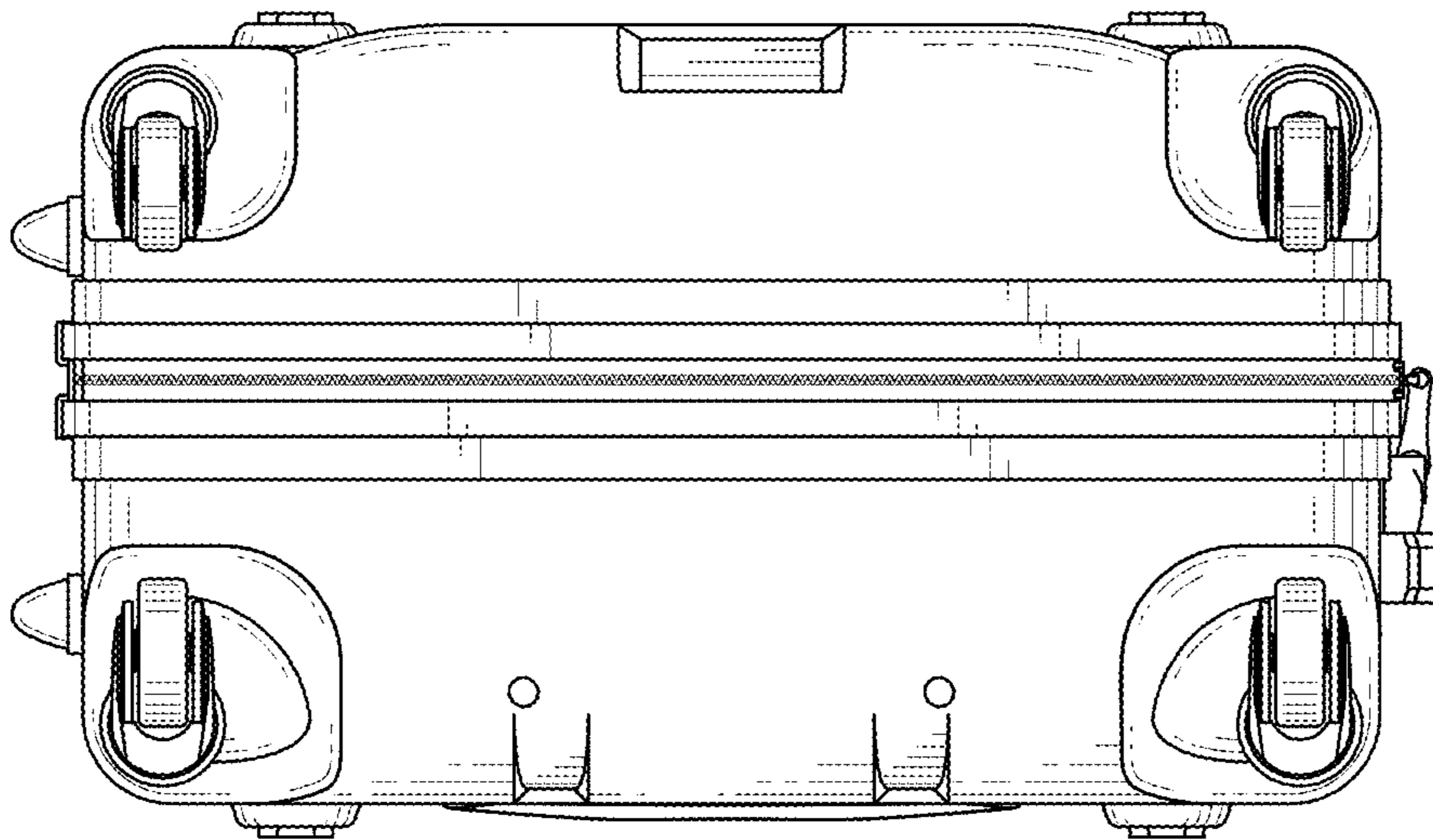


FIG. 7

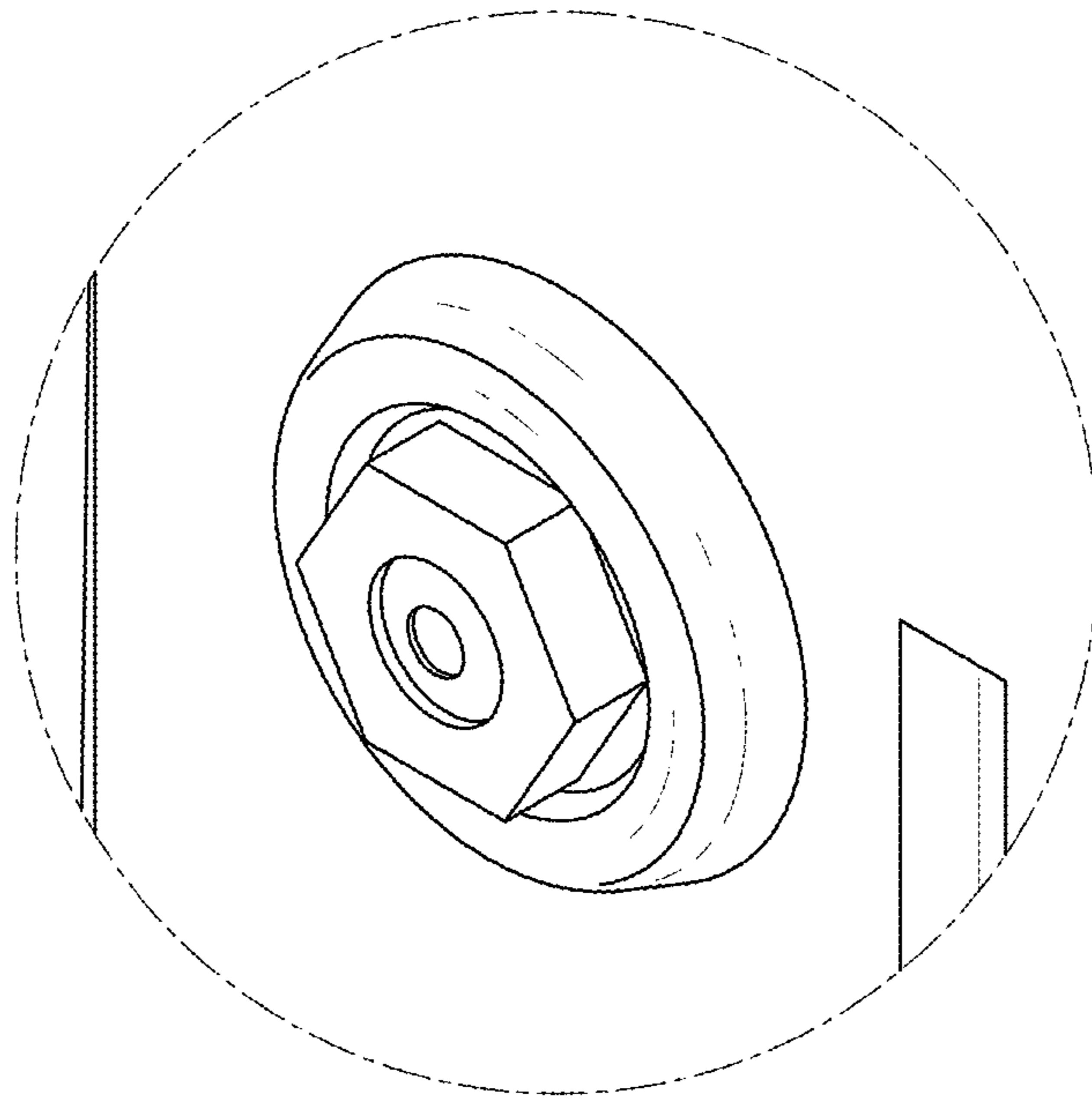


FIG. 8