



US00D793084S

(12) **United States Design Patent** (10) **Patent No.:** **US D793,084 S**  
**Blanc** (45) **Date of Patent:** **\*\* Aug. 1, 2017**

(54) **CONCEALED WEAPON PANEL**  
(71) Applicant: **Jeffery L. Blanc**, Boise, ID (US)  
(72) Inventor: **Jeffery L. Blanc**, Boise, ID (US)  
(\*\*) Term: **15 Years**  
(21) Appl. No.: **29/549,183**  
(22) Filed: **Dec. 18, 2015**  
(51) **LOC (10) Cl.** ..... **03-01**  
(52) **U.S. Cl.**  
USPC ..... **D3/262; D3/319**  
(58) **Field of Classification Search**  
USPC ..... D3/201, 204, 216, 247, 254, 272, 273,  
D3/274, 275, 279, 280, 282, 283, 284,  
D3/288, 289, 294, 309, 315, 318, 319,  
D3/321, 322, 323, 326, 900, 902, 904;  
D19/23, 81, 100, 102, 113; D22/108,  
D22/199  
CPC ..... A45C 13/02; A45C 2013/026; A45F 5/00;  
A45F 5/02  
See application file for complete search history.

D645,246 S \* 9/2011 Miller ..... D3/247  
D679,091 S \* 4/2013 Zidlick ..... D3/274  
D711,653 S \* 8/2014 Pacetti ..... D3/318  
D714,050 S \* 9/2014 Crabtree ..... D3/247  
D717,545 S \* 11/2014 Chuang ..... D3/318  
D730,647 S \* 6/2015 Thompson ..... D3/284  
2004/0226793 A1\* 11/2004 Tilby ..... F41C 33/06  
190/125  
2005/0011774 A1\* 1/2005 Barker ..... A45C 11/16  
206/6.1  
2007/0051768 A1\* 3/2007 Dobson ..... A45F 5/02  
224/666  
2008/0257922 A1\* 10/2008 Cragg ..... A45F 5/02  
224/269  
2010/0050359 A1\* 3/2010 Brown ..... A45C 11/24  
15/210.1  
2011/0083932 A1\* 4/2011 Ritschel ..... A45C 13/03  
190/108  
2012/0104059 A1\* 5/2012 Yen ..... A45C 11/00  
224/218  
2015/0189977 A1\* 7/2015 Thompson ..... A45F 5/02  
24/3.7

\* cited by examiner

*Primary Examiner* — Susan E Krakower  
*Assistant Examiner* — Lisa A Grabenstetter  
(74) *Attorney, Agent, or Firm* — J. Todd Rushton

(56) **References Cited**  
U.S. PATENT DOCUMENTS

D271,887 S \* 12/1983 Williams ..... D19/26  
D275,624 S \* 9/1984 Falk ..... D3/274  
D294,083 S \* 2/1988 Collins ..... D3/262  
D309,977 S \* 8/1990 Whittier ..... 206/315.11  
5,333,727 A \* 8/1994 Hoppe ..... A47G 29/08  
206/486  
D363,603 S \* 10/1995 Leveen ..... D3/303  
D378,024 S \* 2/1997 Tucker ..... D3/303  
D388,611 S \* 1/1998 Shaw ..... D3/232  
D484,689 S \* 1/2004 Hansen ..... D3/227  
D530,512 S \* 10/2006 Palaszek ..... D3/254  
D589,701 S \* 4/2009 Christ ..... D3/247  
D620,981 S \* 8/2010 Sturken ..... D19/81  
D628,260 S \* 11/2010 Poling ..... D22/108

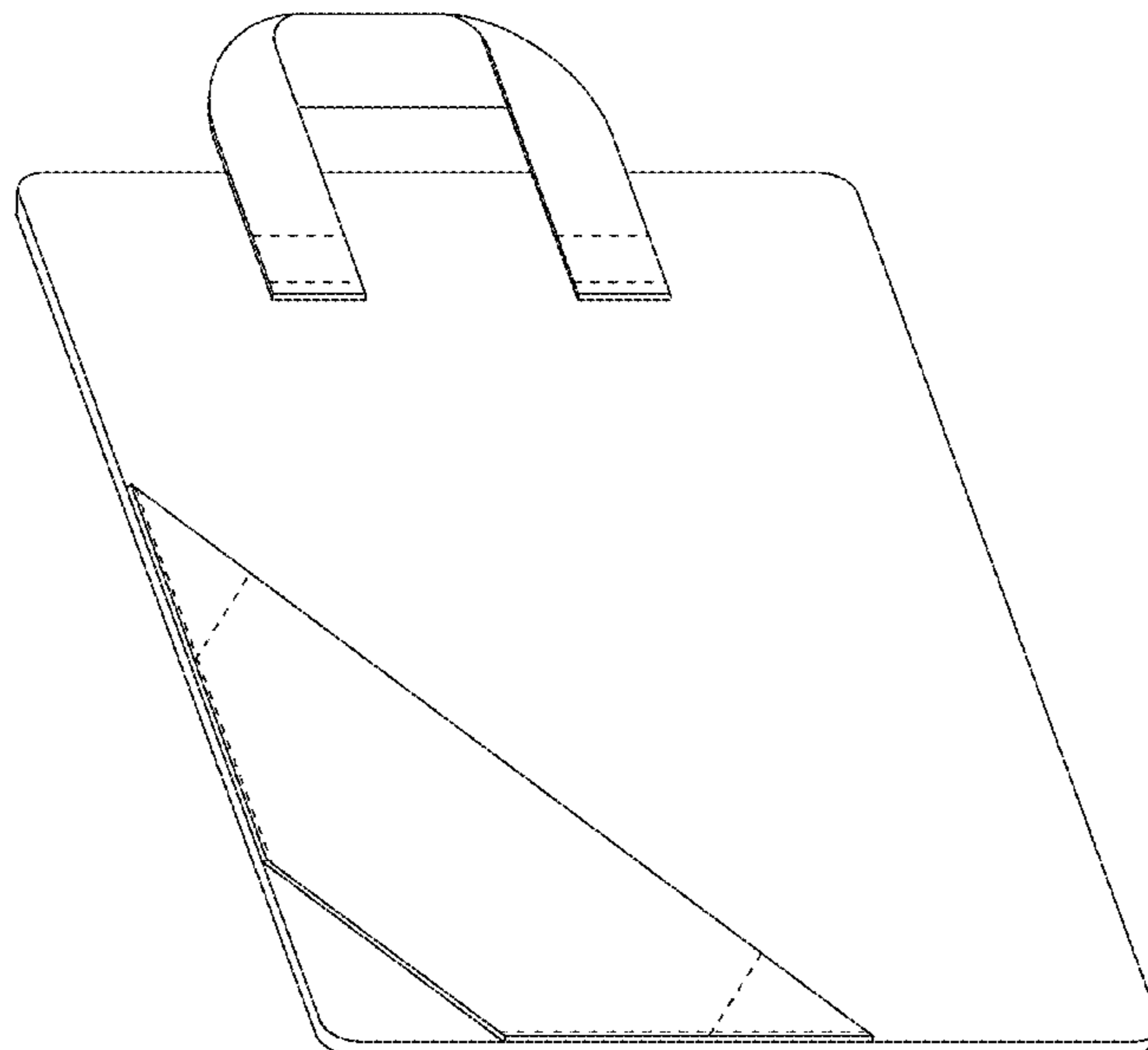
(57) **CLAIM**

The ornamental design for a concealed weapon panel, as shown and described.

**DESCRIPTION**

FIG. 1 a perspective view of a concealed weapon panel, showing my new design;  
FIG. 2 is a front view of a concealed weapon panel;  
FIG. 3 is a back view of a concealed weapon panel; and,  
FIG. 4 is a right side view of a concealed weapon panel.  
The broken lines on the surface of the design depict unclaimed stitching and forms no part of the claimed design.

**1 Claim, 4 Drawing Sheets**



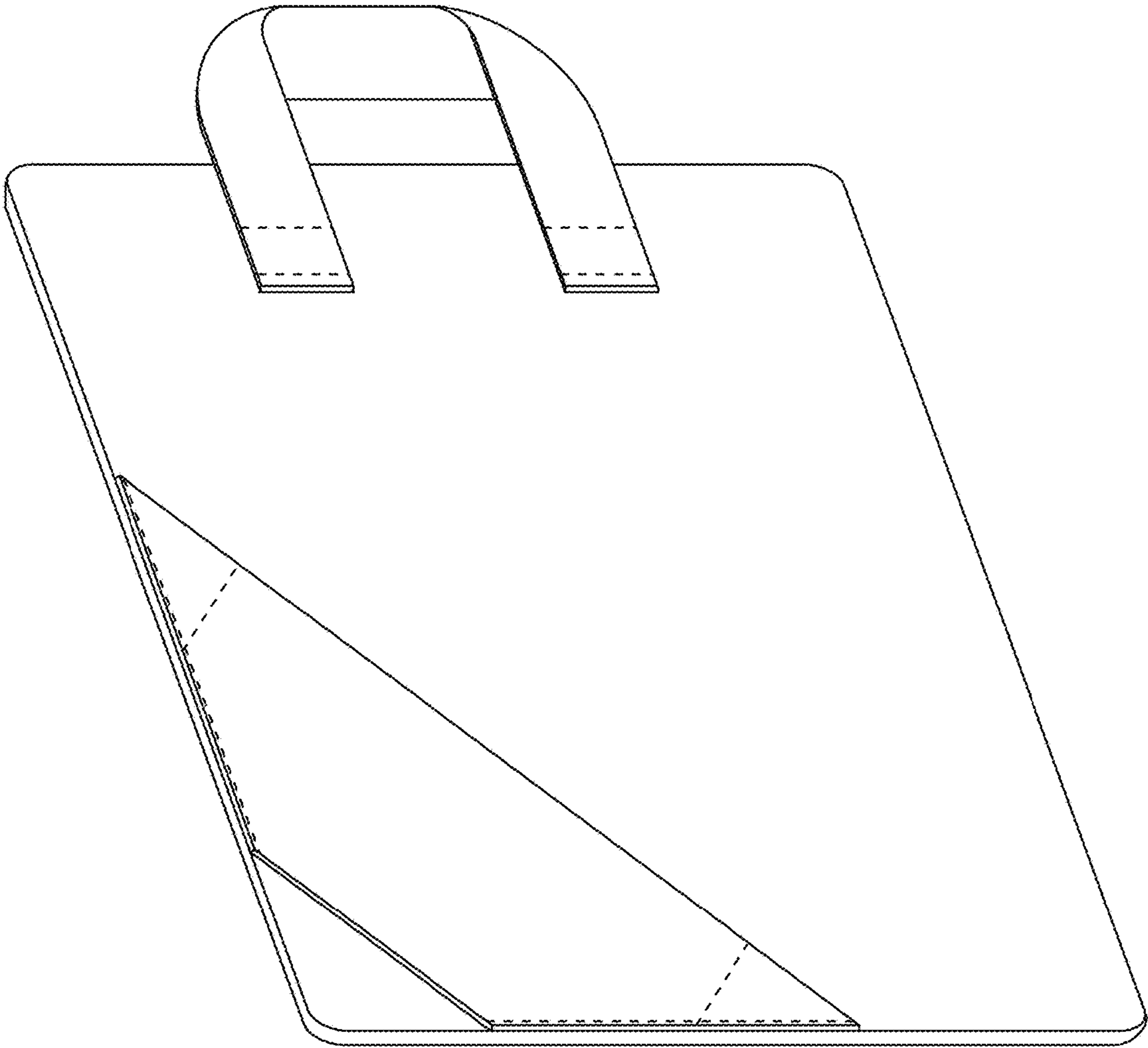


Fig. 1

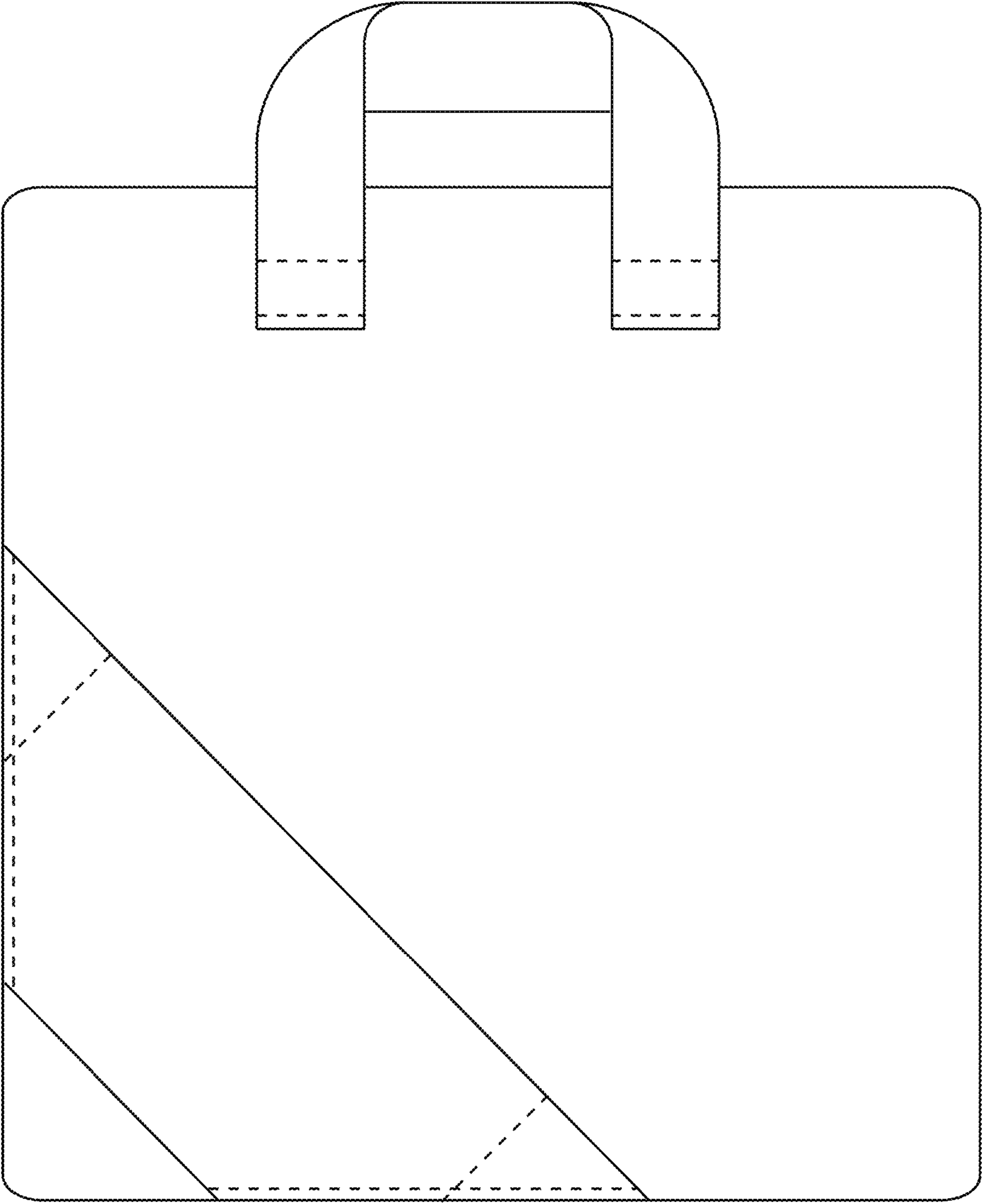


Fig. 2

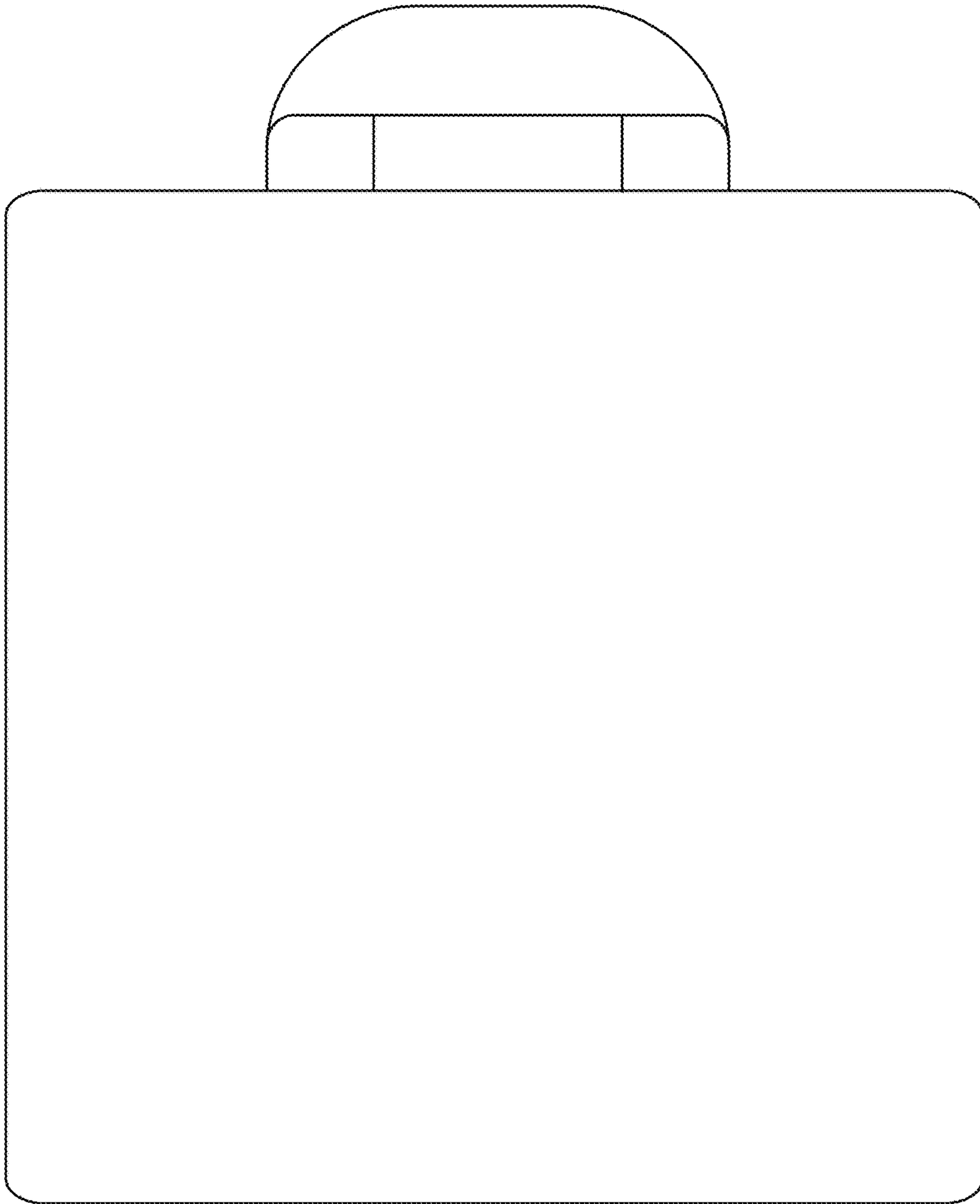


Fig. 3



Fig. 4