



US00D793082S

(12) **United States Design Patent** (10) **Patent No.:** **US D793,082 S**  
**Zhang** (45) **Date of Patent:** **\*\* Aug. 1, 2017**

(54) **LEATHER WALLET PHONE CASE**

(71) Applicant: **Yu Long Zhang**, Brooklyn, NY (US)

(72) Inventor: **Yu Long Zhang**, Brooklyn, NY (US)

(\*\*) Term: **15 Years**

(21) Appl. No.: **29/561,975**

(22) Filed: **Apr. 21, 2016**

(51) **LOC (10) Cl.** ..... **03-01**

(52) **U.S. Cl.**  
USPC ..... **D3/249**

(58) **Field of Classification Search**  
USPC ..... D3/247, 249–253  
CPC ..... A45C 1/06; A45C 3/08  
See application file for complete search history.

(56) **References Cited**

U.S. PATENT DOCUMENTS

D359,310 S *	6/1995	Su	.....	D19/26
D414,033 S *	9/1999	Rohm	.....	D3/201
D482,162 S *	11/2003	Bostroem	.....	D28/77
D511,038 S *	11/2005	Schrey	.....	D3/249
D738,620 S *	9/2015	Schmole	.....	D3/249
D750,888 S *	3/2016	Johnson	.....	D3/249

\* cited by examiner

*Primary Examiner* — Holly Baynham

(74) *Attorney, Agent, or Firm* — Gary E. Lambert; David J. Connaughton, Jr.; Lambert & Associates

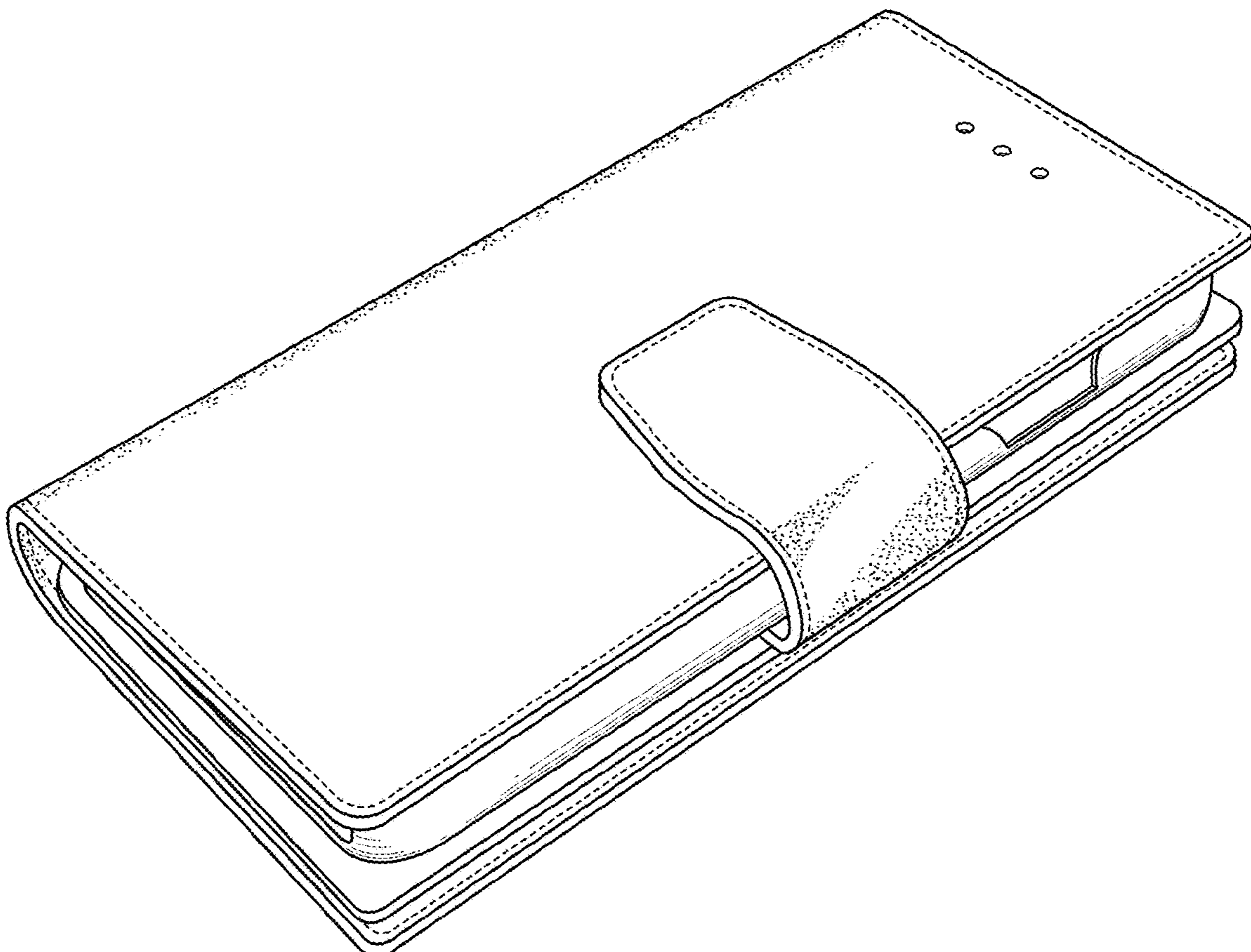
(57) **CLAIM**

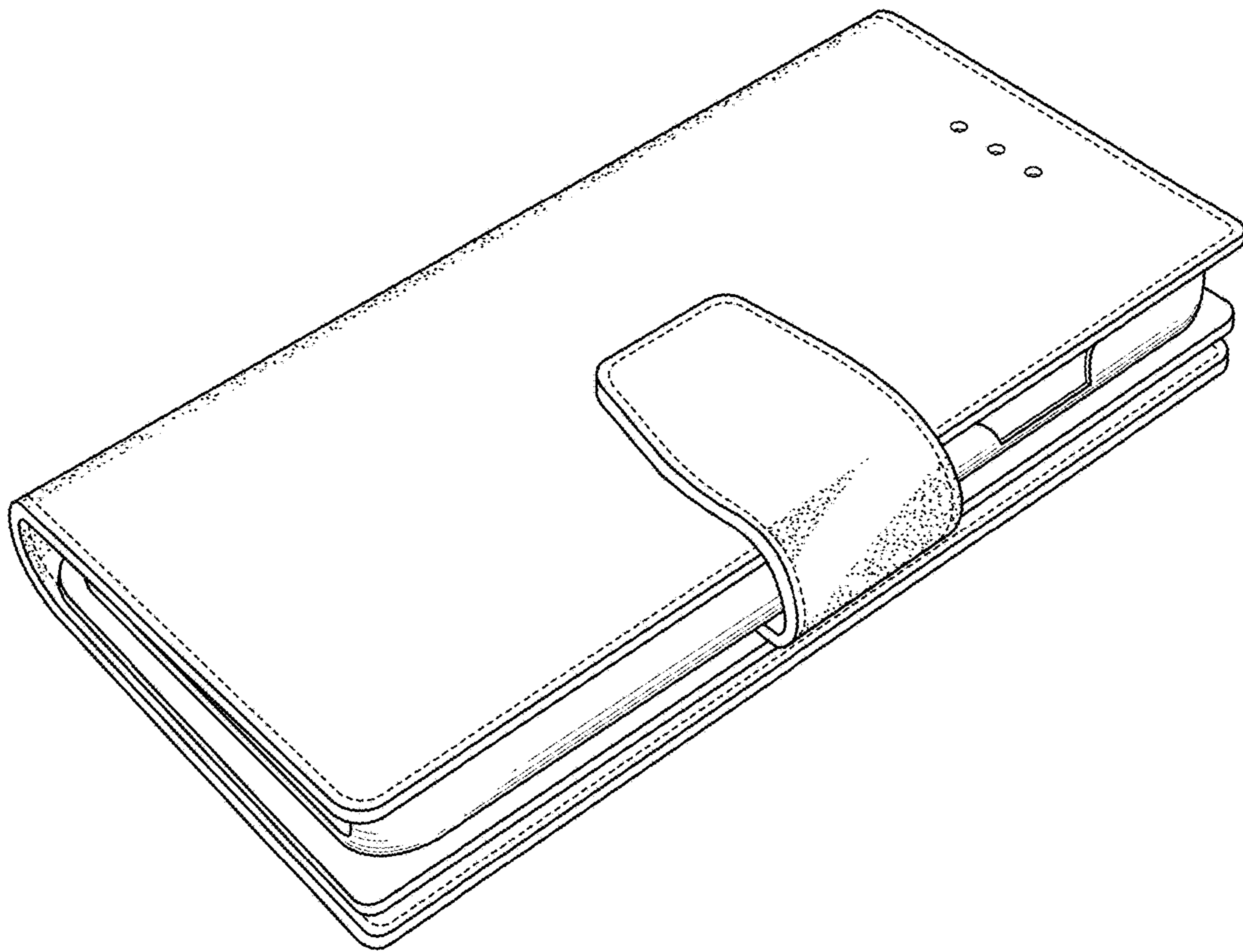
The ornamental design for a leather wallet phone case, as shown and described.

**DESCRIPTION**

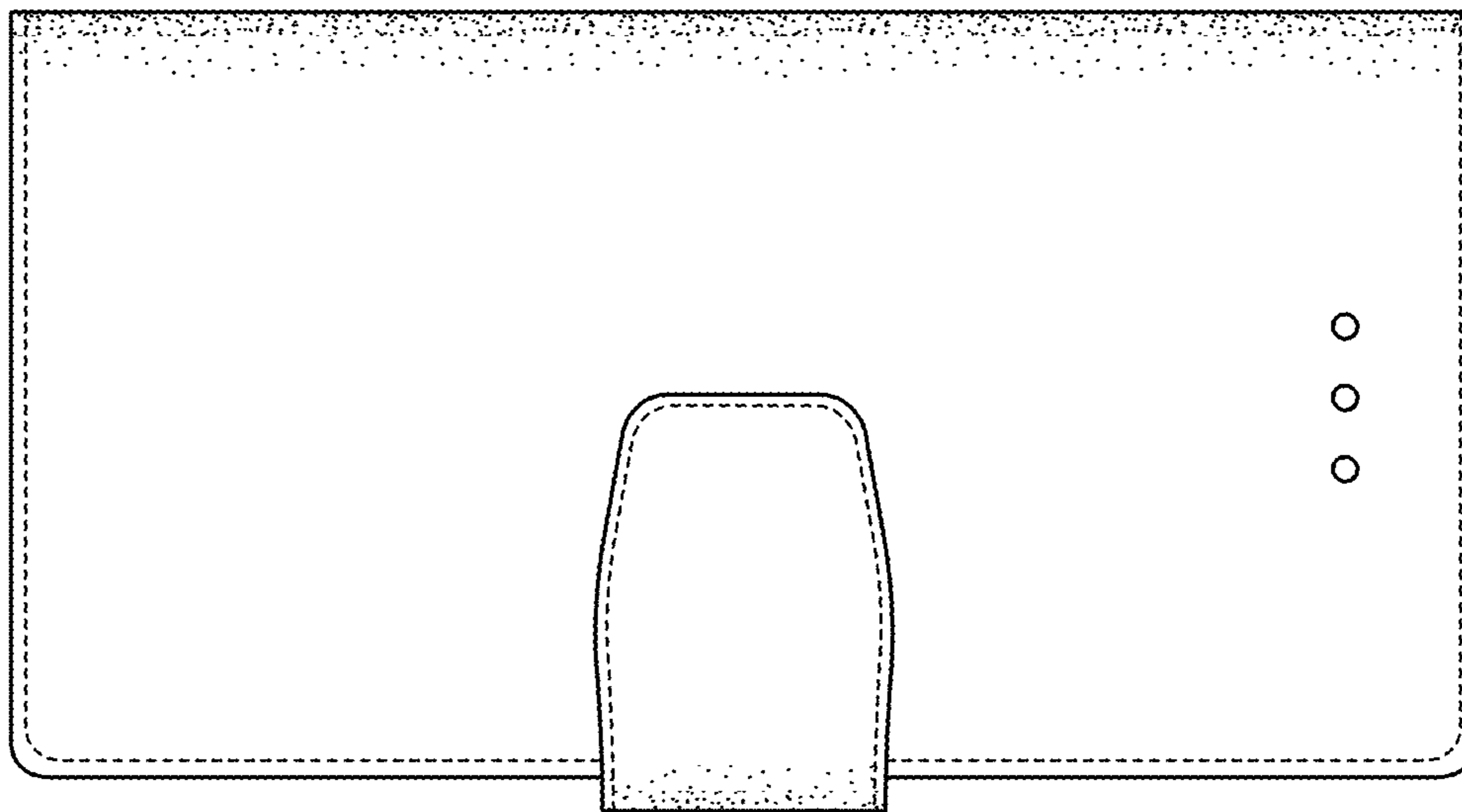
FIG. 1 is a front isometric view of the leather wallet phone case, which embodies my design;  
FIG. 2 is a top plan view of the leather wallet phone case;  
FIG. 3 is a bottom plan view of the leather wallet phone case;  
FIG. 4 is front side view of the leather wallet phone case;  
FIG. 5 is a back side view of the leather wallet phone case;  
FIG. 6 is a right side view of the leather wallet phone case;  
FIG. 7 is a left side view of the leather wallet phone case;  
FIG. 8 is an exploded isometric view of the leather wallet phone case; and,  
FIG. 9 is an exploded isometric view of the leather wallet phone case.  
The broken lines representing stitching are part of the claimed design.

**1 Claim, 5 Drawing Sheets**

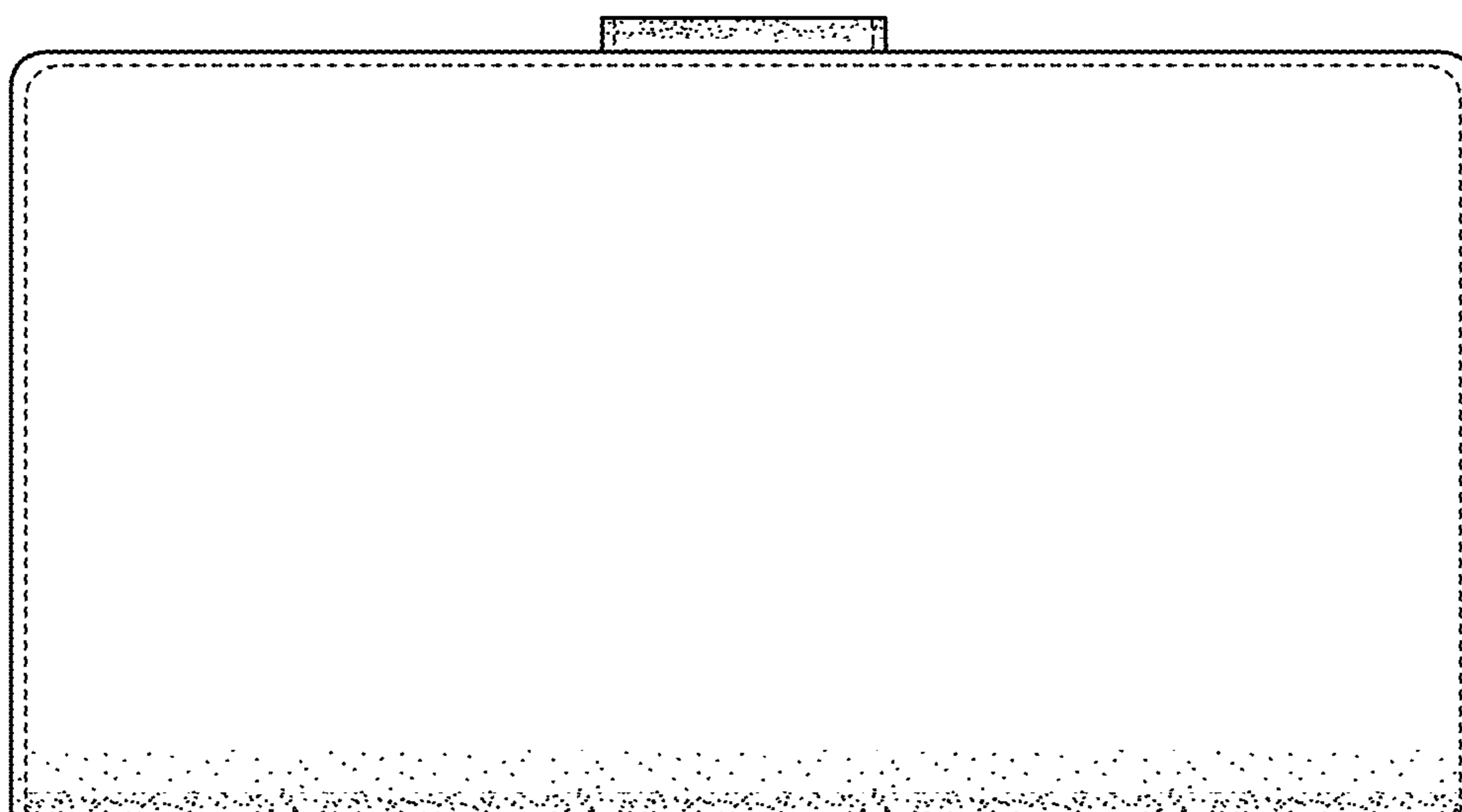




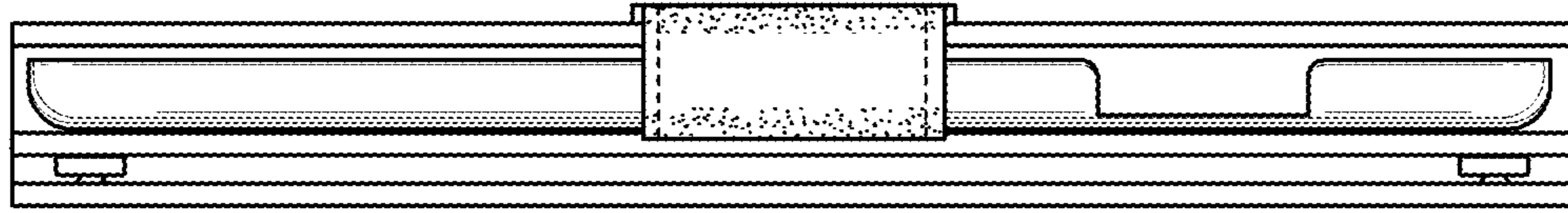
*Fig. 1*



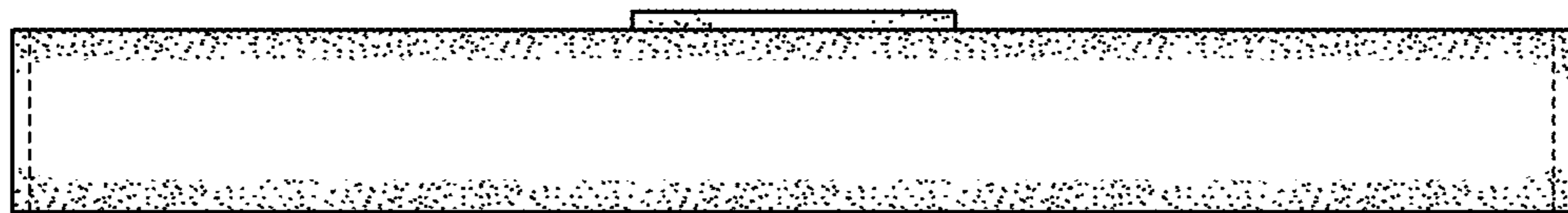
*Fig. 2*



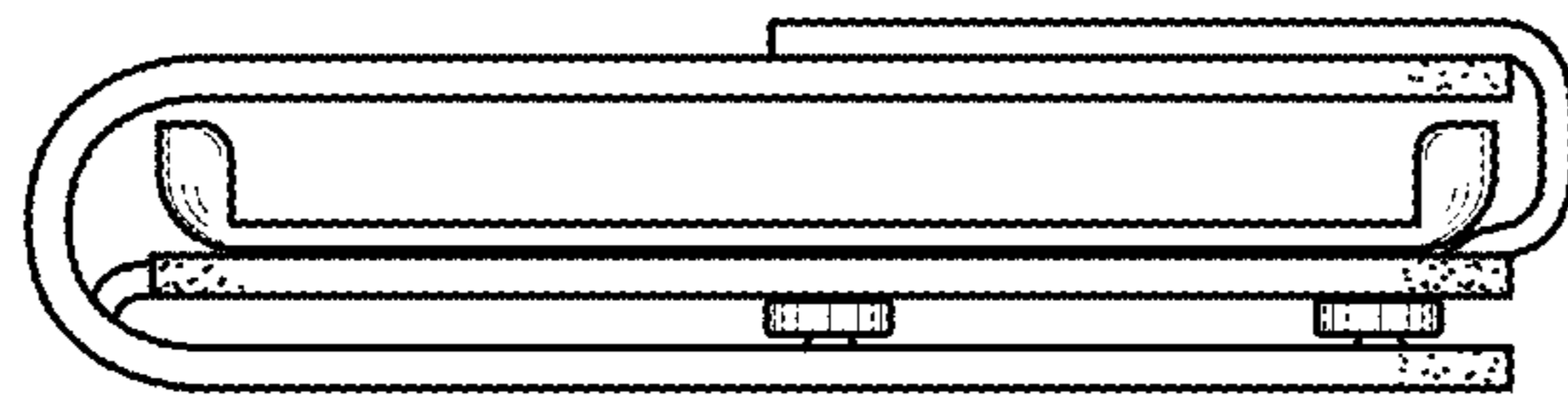
*Fig. 3*



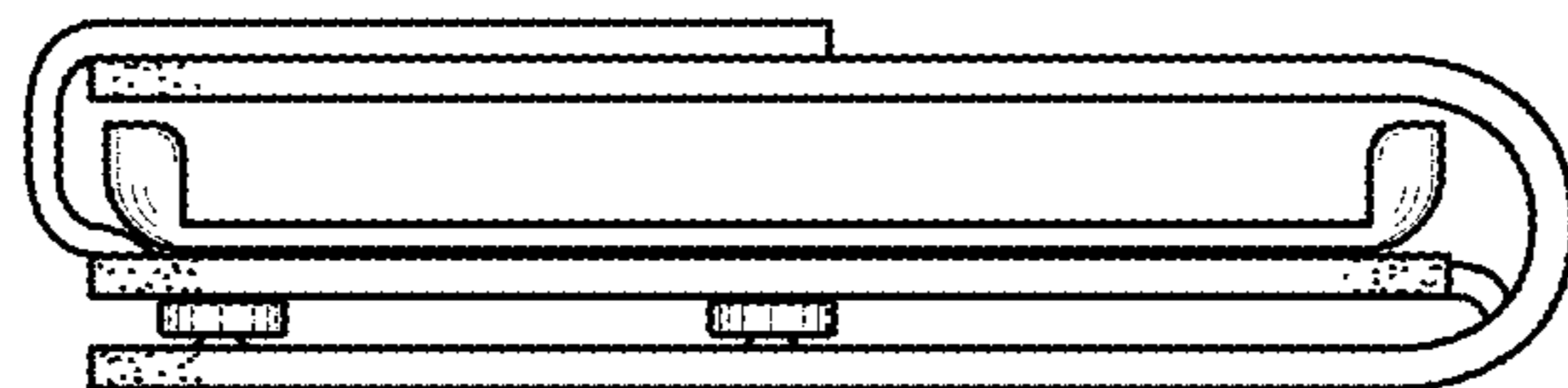
*Fig. 4*



*Fig. 5*

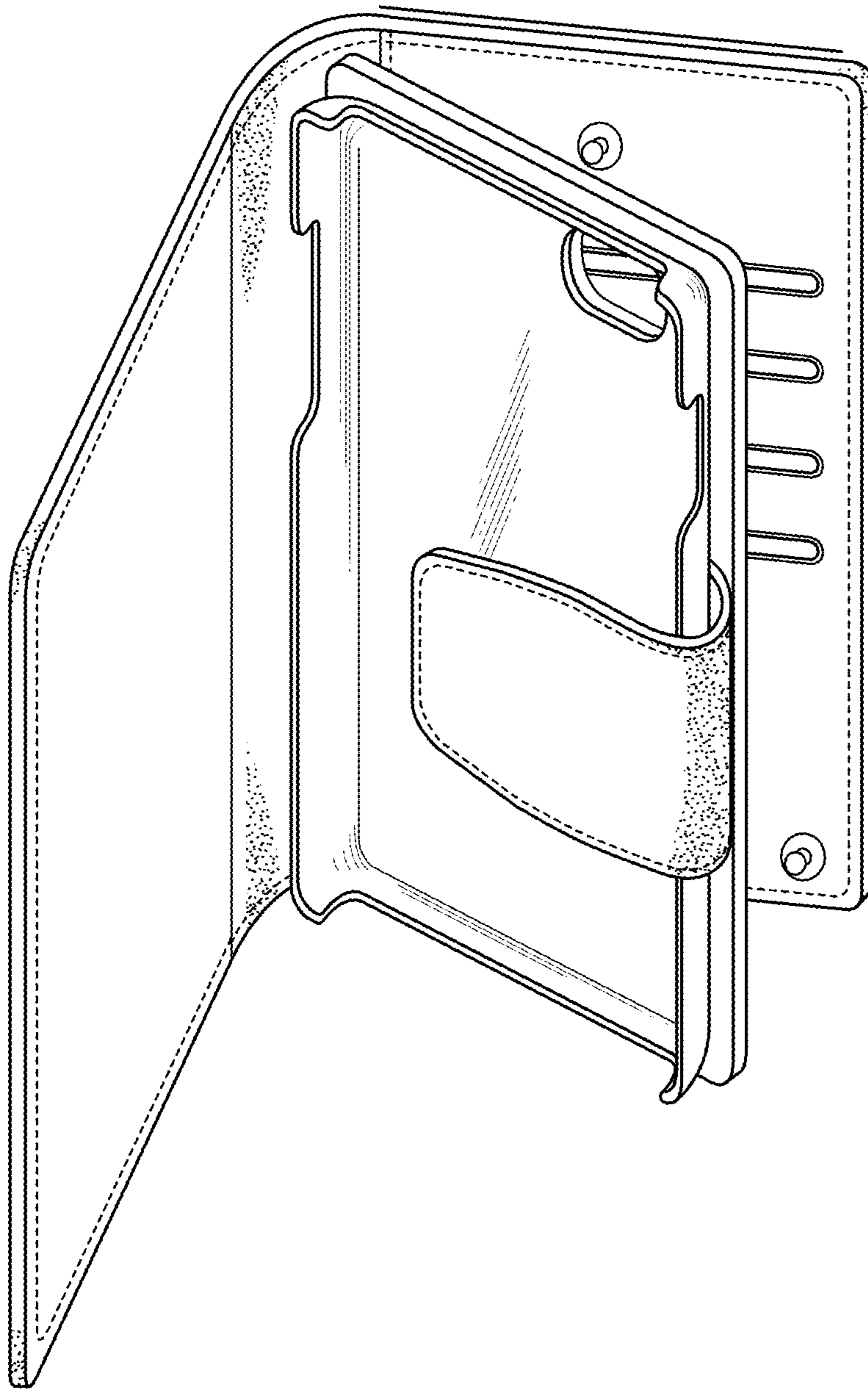


*Fig. 6*

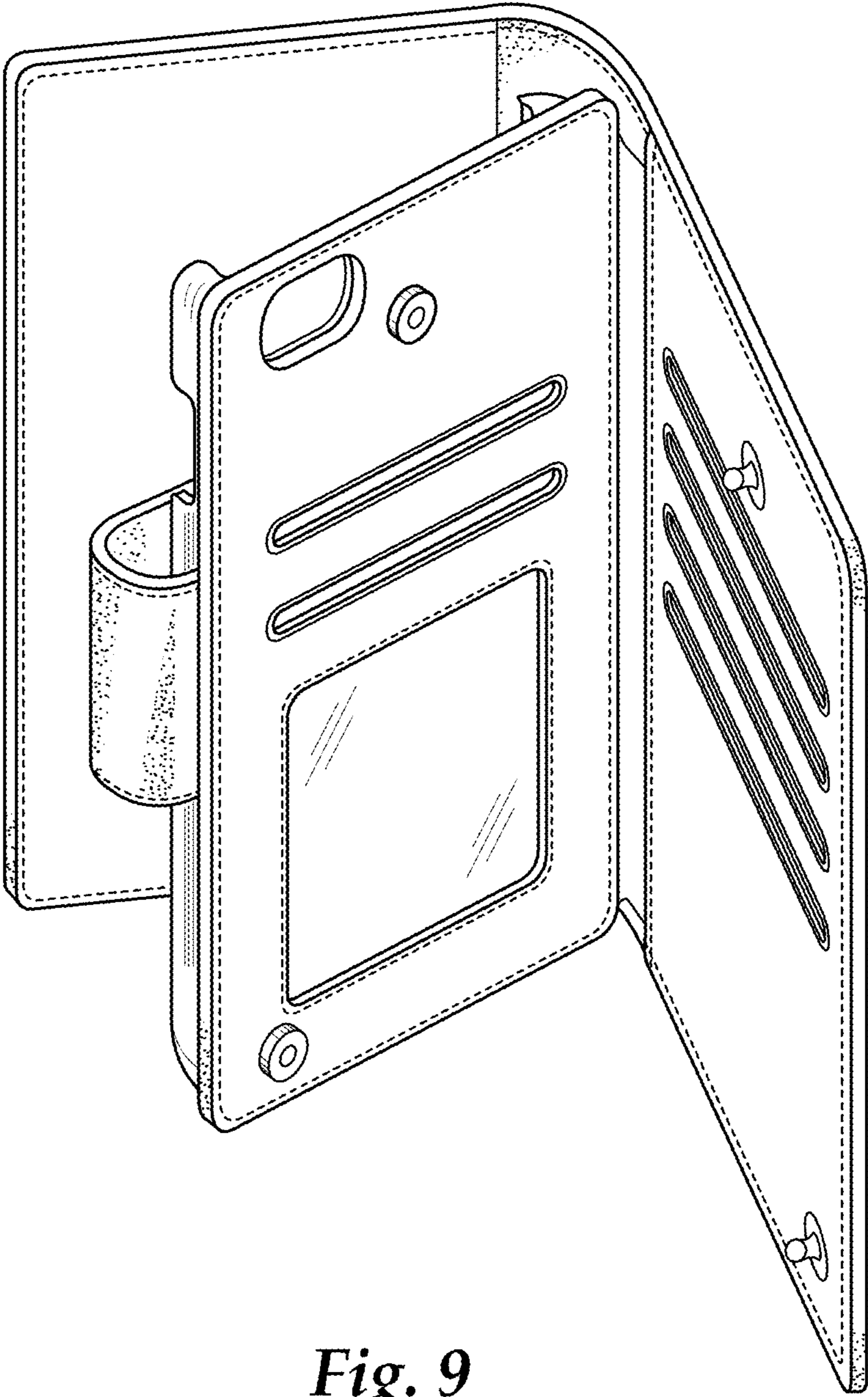


*Fig. 7*





*Fig. 8*



*Fig. 9*