



US00D793079S

(12) **United States Design Patent**
Broussard

(10) **Patent No.:** **US D793,079 S**

(45) **Date of Patent:** **** Aug. 1, 2017**

- (54) **HANDBAG WITH INTEGRATED ELECTRONIC DISPLAY**
- (71) Applicant: **DIANA BROUSSARD, LLC**, New York, NY (US)
- (72) Inventor: **Diana Broussard**, New York, NY (US)
- (73) Assignee: **Diana Broussard, LLC**, New York, NY (US)
- (**) Term: **15 Years**
- (21) Appl. No.: **29/537,115**
- (22) Filed: **Aug. 21, 2015**
- (51) **LOC (10) Cl.** **03-01**
- (52) **U.S. Cl.**
USPC **D3/233**
- (58) **Field of Classification Search**
USPC D3/215–217, 226, 227, 232–234,
D3/238–246, 254, 257, 270, 271.1, 271.9,
D3/272, 274–276, 291, 294, 299, 303,
D3/324, 326, 900, 902, 903
CPC A45C 1/00; A45C 3/06; A45C 2007/004;
A45C 3/08; A45C 7/00; A45C 9/10
See application file for complete search history.

D269,735 S *	7/1983	Bunetta	D3/275
D367,557 S *	3/1996	Chang	D3/276
D396,004 S *	7/1998	Srinual	D3/294
5,887,777 A *	3/1999	Myles	A45F 3/02
				190/102
D407,853 S *	4/1999	Morgan	D28/78
D408,145 S *	4/1999	Au	D3/294
D428,208 S *	7/2000	Nodarse	D28/77
D456,992 S *	5/2002	Clark	D3/270

(Continued)

Primary Examiner — Susan E Krakower
Assistant Examiner — Lisa A Grabenstetter
 (74) *Attorney, Agent, or Firm* — Sheppard, Mullin,
 Richter & Hampton LLP

(57) **CLAIM**

I claim the ornamental design for a handbag with integrated electronic display, as shown and described.

DESCRIPTION

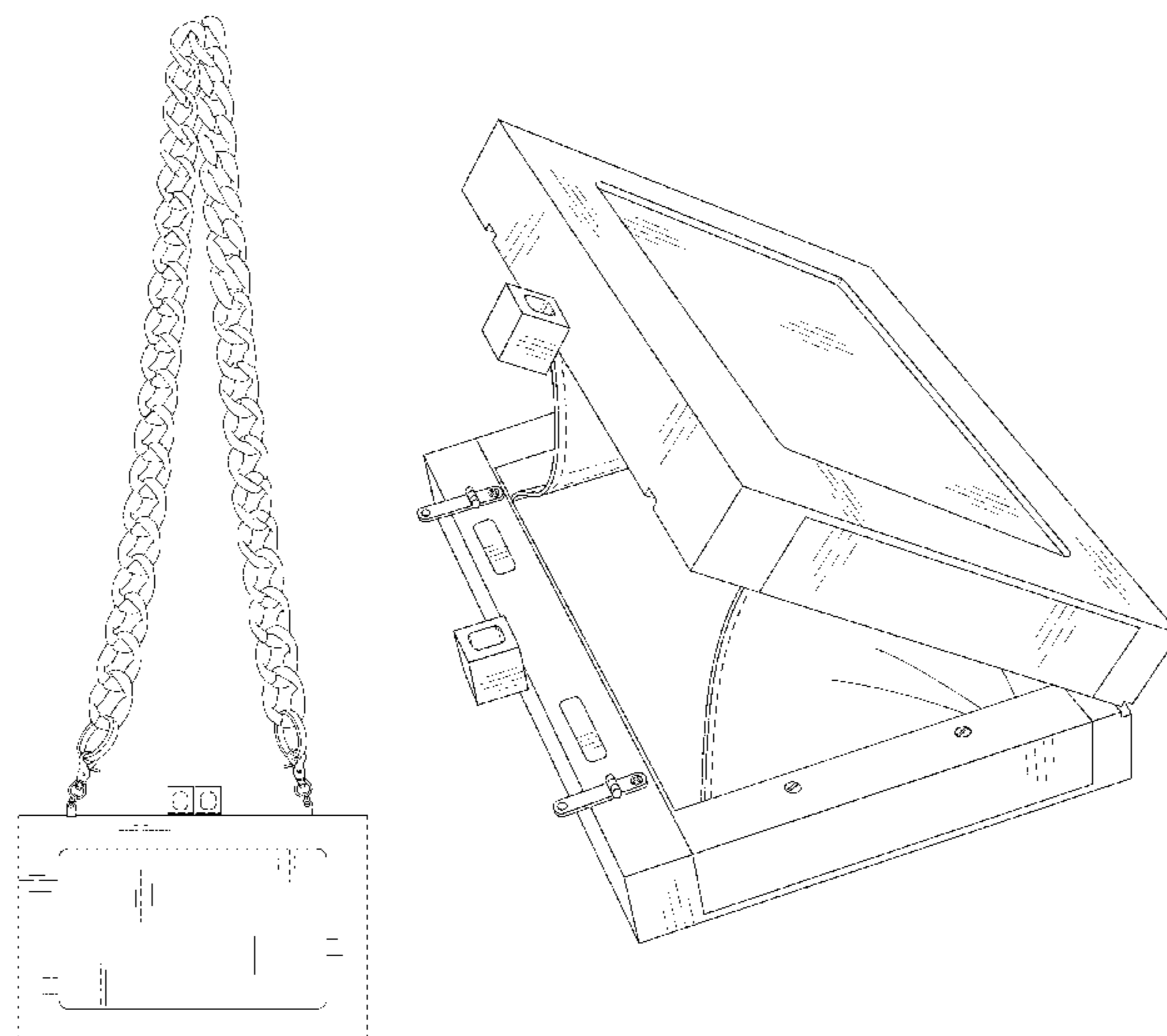
FIG. 1 is a front view of a handbag with an integrated electronic display, showing my new design;
 FIG. 2 is a top view thereof, with the chain removed for ease of illustration;
 FIG. 3 is a rear view thereof;
 FIG. 4 is a bottom view thereof;
 FIG. 5 is a right side view thereof;
 FIG. 6 is a left side view thereof;
 FIG. 7 is a top view thereof, shown in an opened configuration;
 FIG. 8 is a perspective view thereof, shown in an opened configuration; and,
 FIG. 9 is another perspective view thereof, shown in a closed configuration.
 The broken lines found in FIG. 5 represent unclaimed boundaries to the claim and form no part of the claimed design. The dash-dash broken lines on the webbing of FIGS. 7 and 8 represent claimed stitching.

1 Claim, 8 Drawing Sheets

(56) **References Cited**

U.S. PATENT DOCUMENTS

504,884 A *	9/1893	Meyer	A45C 3/06
				150/112
1,218,432 A *	3/1917	McElveen	A45C 9/00
				190/16
2,518,572 A *	8/1950	Sanders	A45C 3/06
				150/103
D167,408 S *	8/1952	Kaufman	D3/242
2,916,841 A *	12/1959	Denis	A45C 3/06
				206/457
D253,556 S *	12/1979	D'Alo	D3/203.7
4,255,872 A *	3/1981	Williams, Sr.	G09B 5/06
				206/232



(56)

References Cited

U.S. PATENT DOCUMENTS

D467,423 S * 12/2002 Wolf D3/276
6,979,198 B2 * 12/2005 Krieger G09B 1/32
434/156
D513,568 S * 1/2006 Au D3/294
D543,698 S * 6/2007 Anderson D3/234
D570,114 S * 6/2008 Netz D3/294
D673,362 S * 1/2013 Presman D3/216
D705,746 S * 5/2014 Lin D14/125
2002/0092588 A1 * 7/2002 Ka Fai Au A45C 3/06
150/103
2013/0279090 A1 * 10/2013 Brandt H05K 7/00
361/679.01

* cited by examiner

FIG. 1

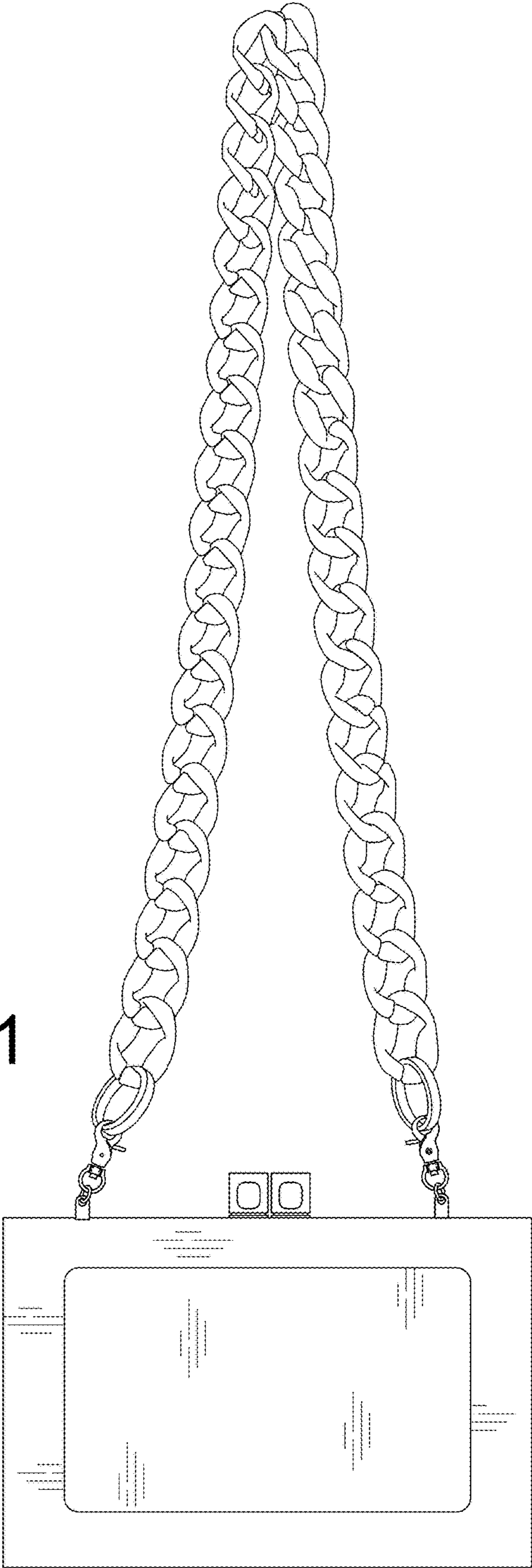


FIG. 2

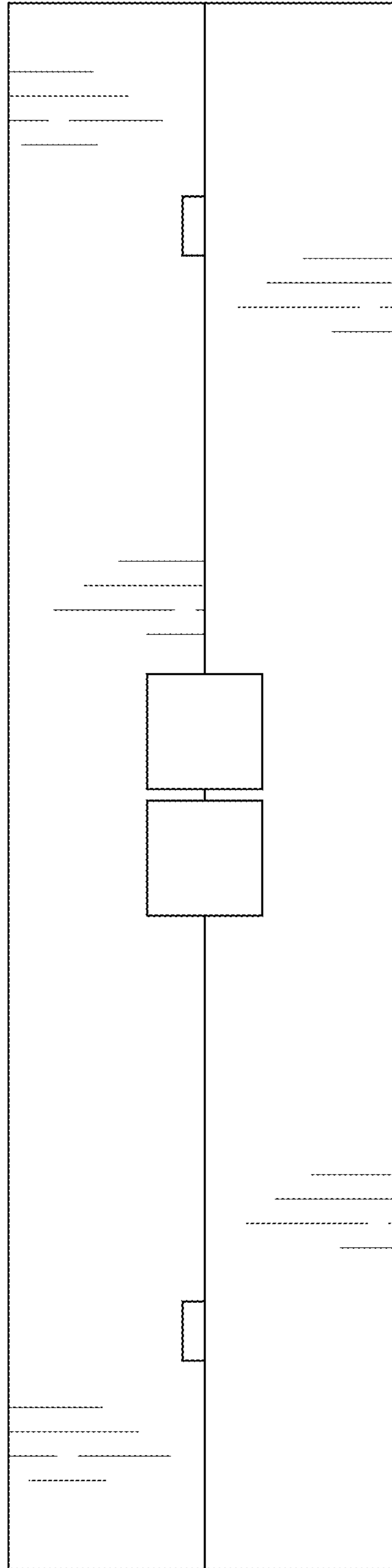
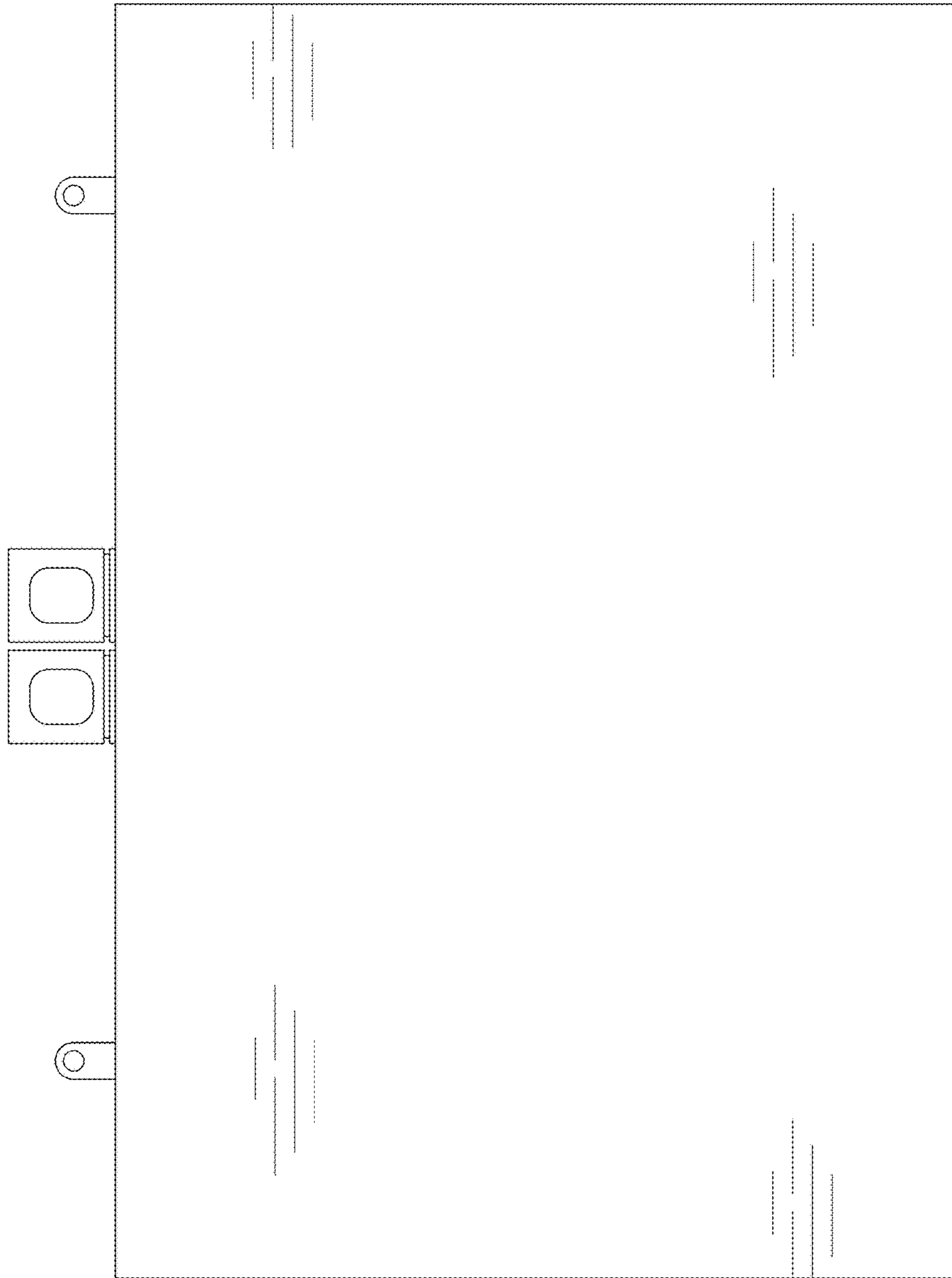


FIG. 3



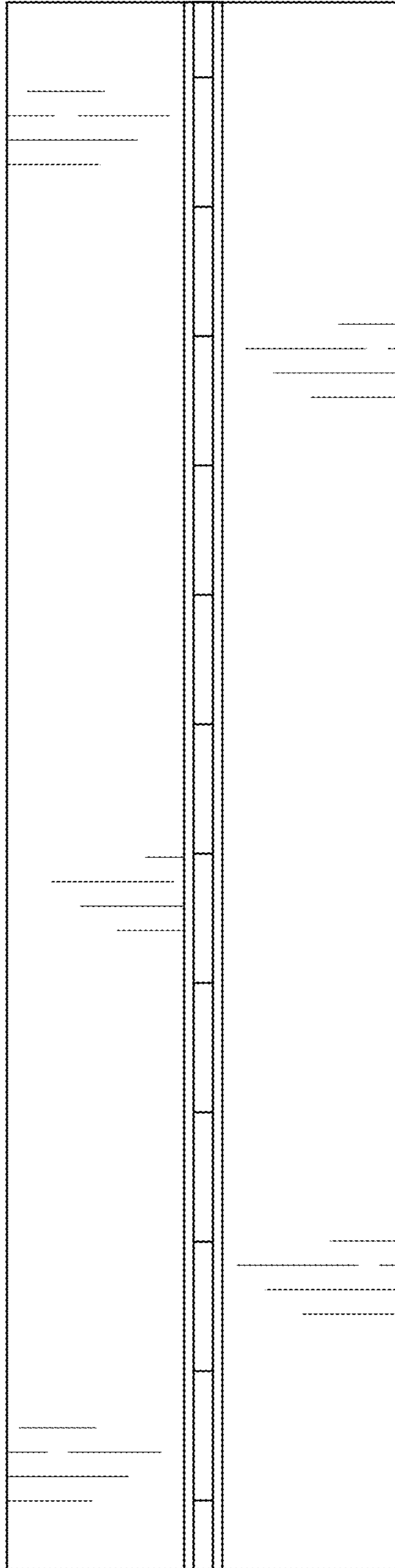


FIG. 4

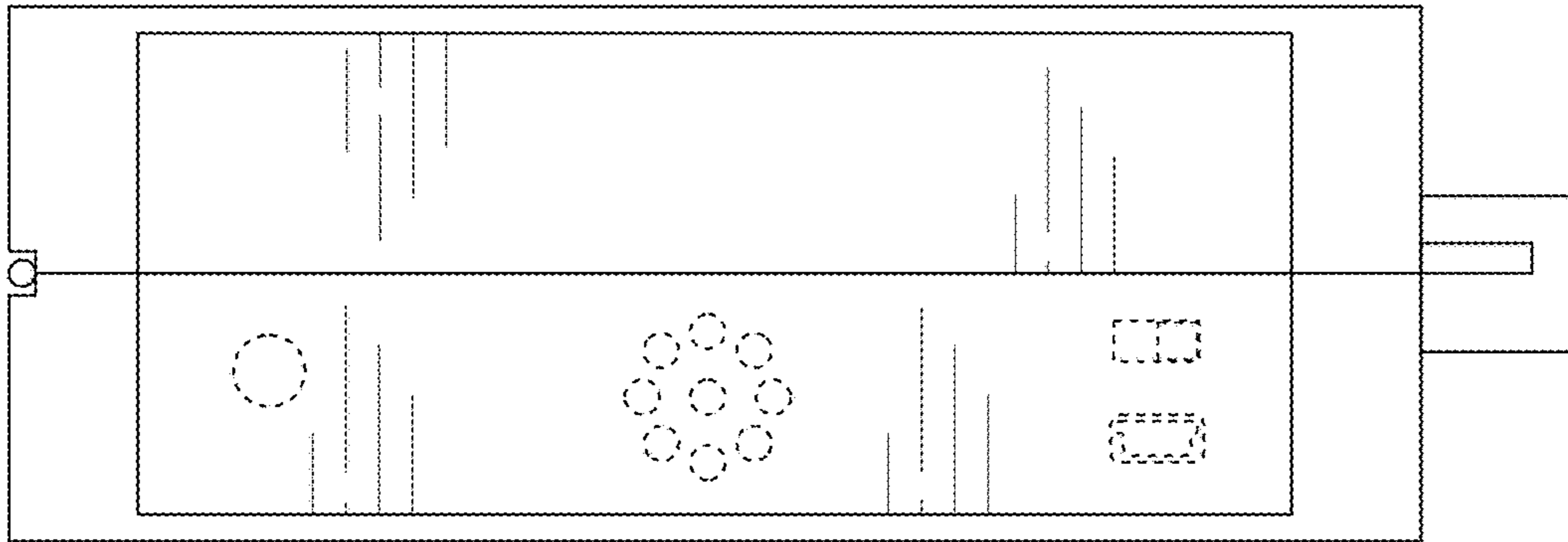


FIG. 5

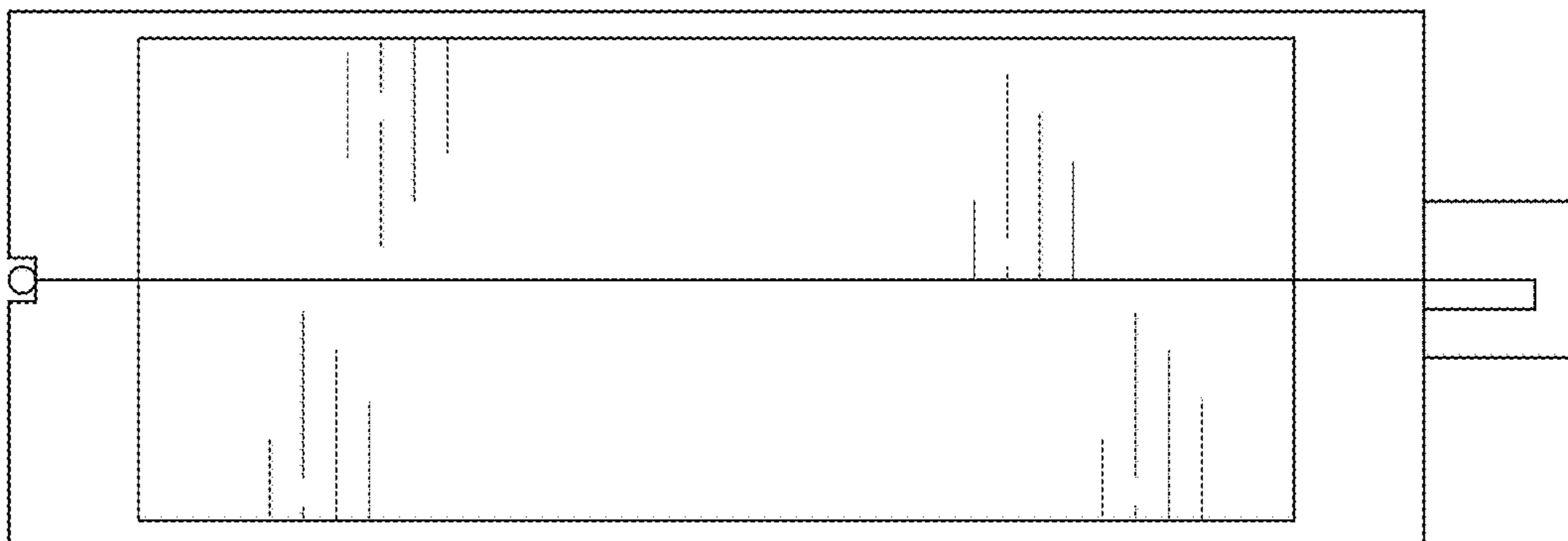


FIG. 6

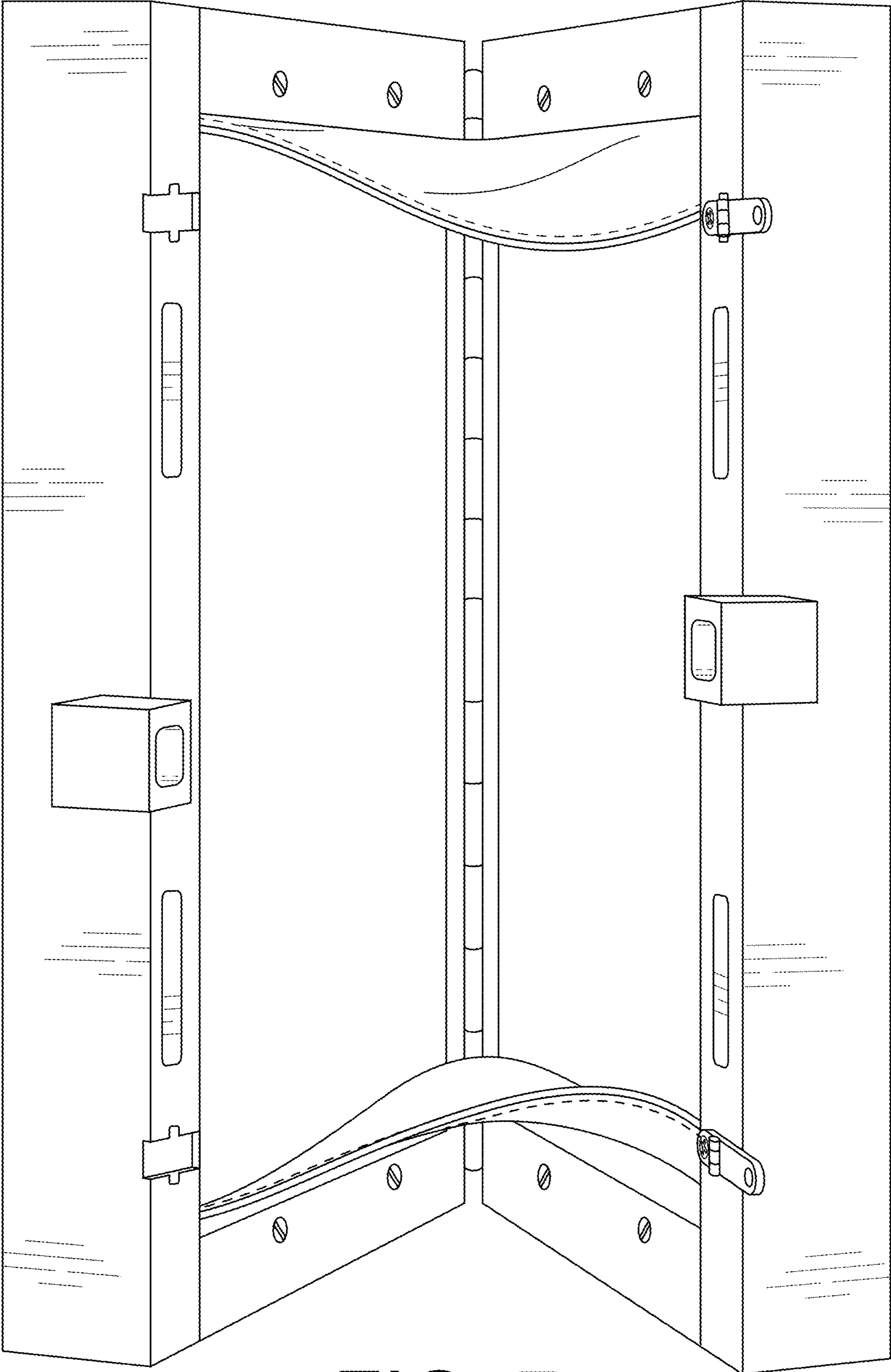


FIG. 7

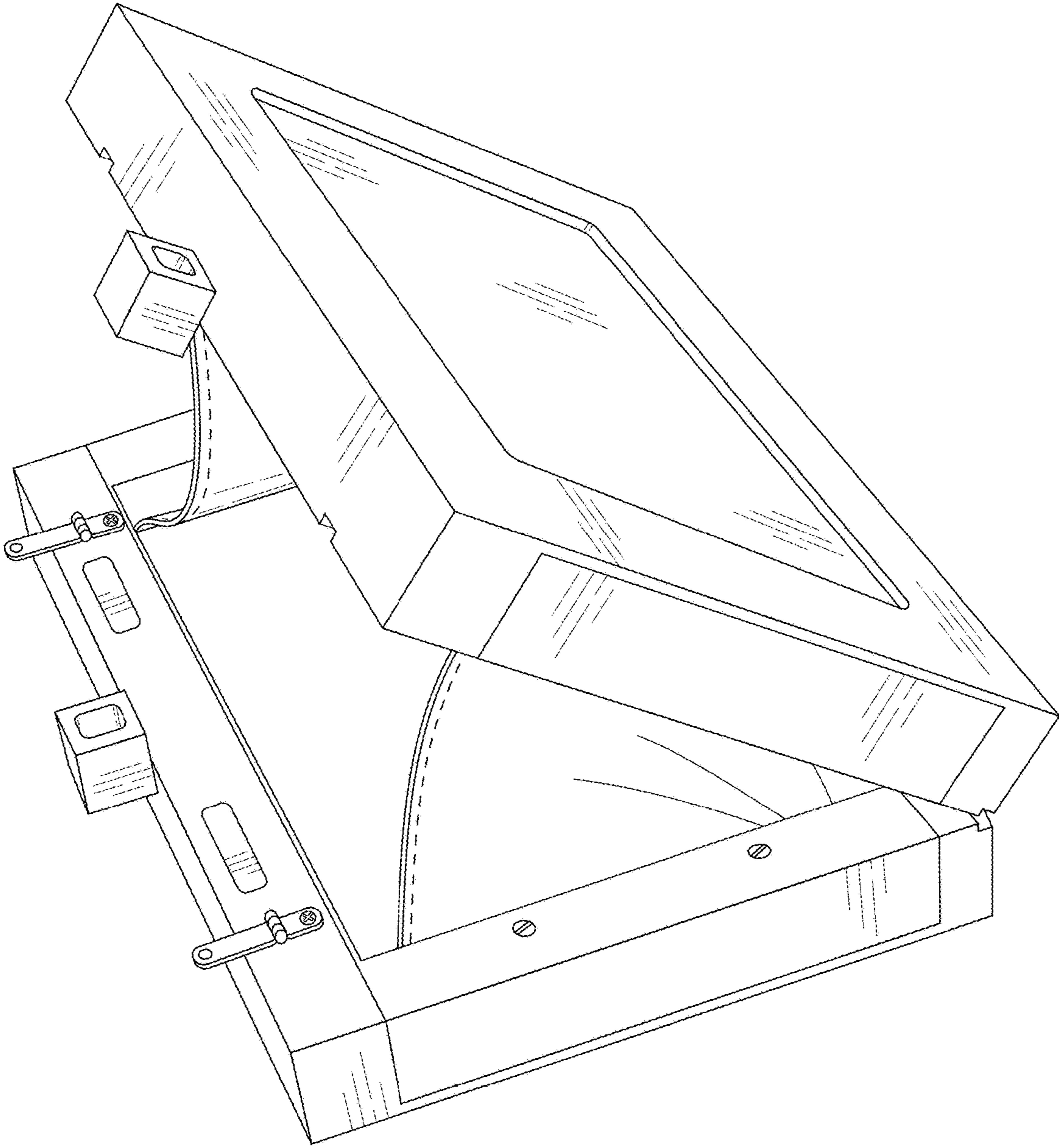


FIG. 8

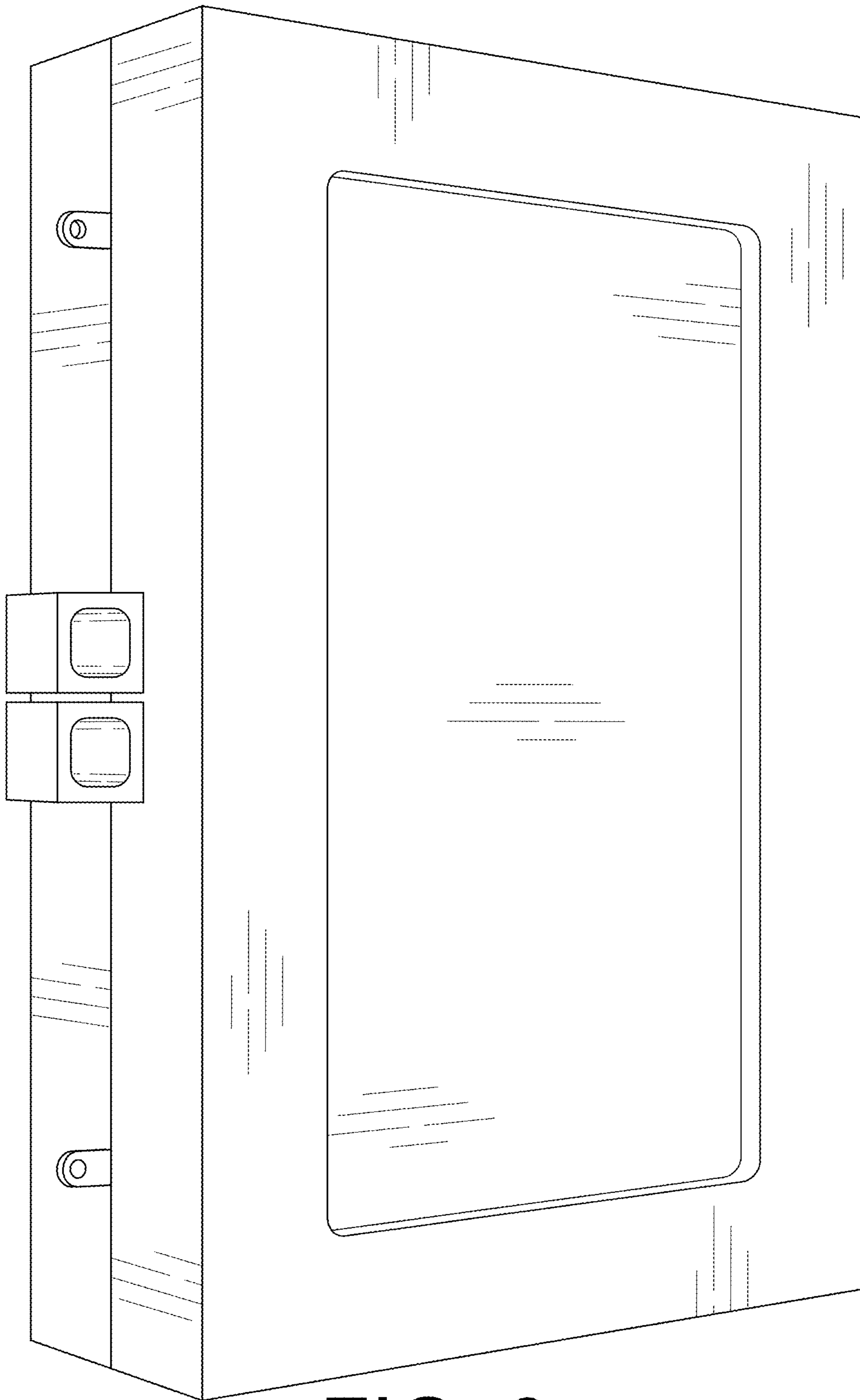


FIG. 9