



US00D793077S

(12) **United States Design Patent** (10) **Patent No.:** **US D793,077 S**
Zhang (45) **Date of Patent:** **** Aug. 1, 2017**

(54) **SMART PHONE CASE**
(71) Applicant: **Yu Long Zhang**, Brooklyn, NY (US)
(72) Inventor: **Yu Long Zhang**, Brooklyn, NY (US)
(**) Term: **15 Years**
(21) Appl. No.: **29/573,901**
(22) Filed: **Aug. 10, 2016**
(51) **LOC (10) Cl.** **03-01**
(52) **U.S. Cl.**
USPC **D3/218**
(58) **Field of Classification Search**
USPC D3/218-219, 215, 201, 224, 226, 228,
D3/269, 299, 301, 303; 224/578, 674,
224/676-683, 901, 904, 240, 930, 600,
224/605, 625; D14/253, 248, 250-251;
379/455
CPC A45F 5/00; A45F 5/02; A45F 5/021; A45F
2200/05; A45F 2200/0508; A45F
2200/0516; A45F 2200/0525; A45F 3/02;
A45F 3/14
See application file for complete search history.

D705,535 S * 5/2014 Stapleton D3/218
D715,043 S * 10/2014 Rayeski D3/218
D781,576 S * 3/2017 Balchunas D3/218

* cited by examiner

Primary Examiner — Catheri Oliver-Garcia
(74) *Attorney, Agent, or Firm* — Gary E. Lambert; David
J. Connaughton, Jr.; Lambert & Associates

(57) **CLAIM**

The ornamental design for a smart phone case, as shown and described.

DESCRIPTION

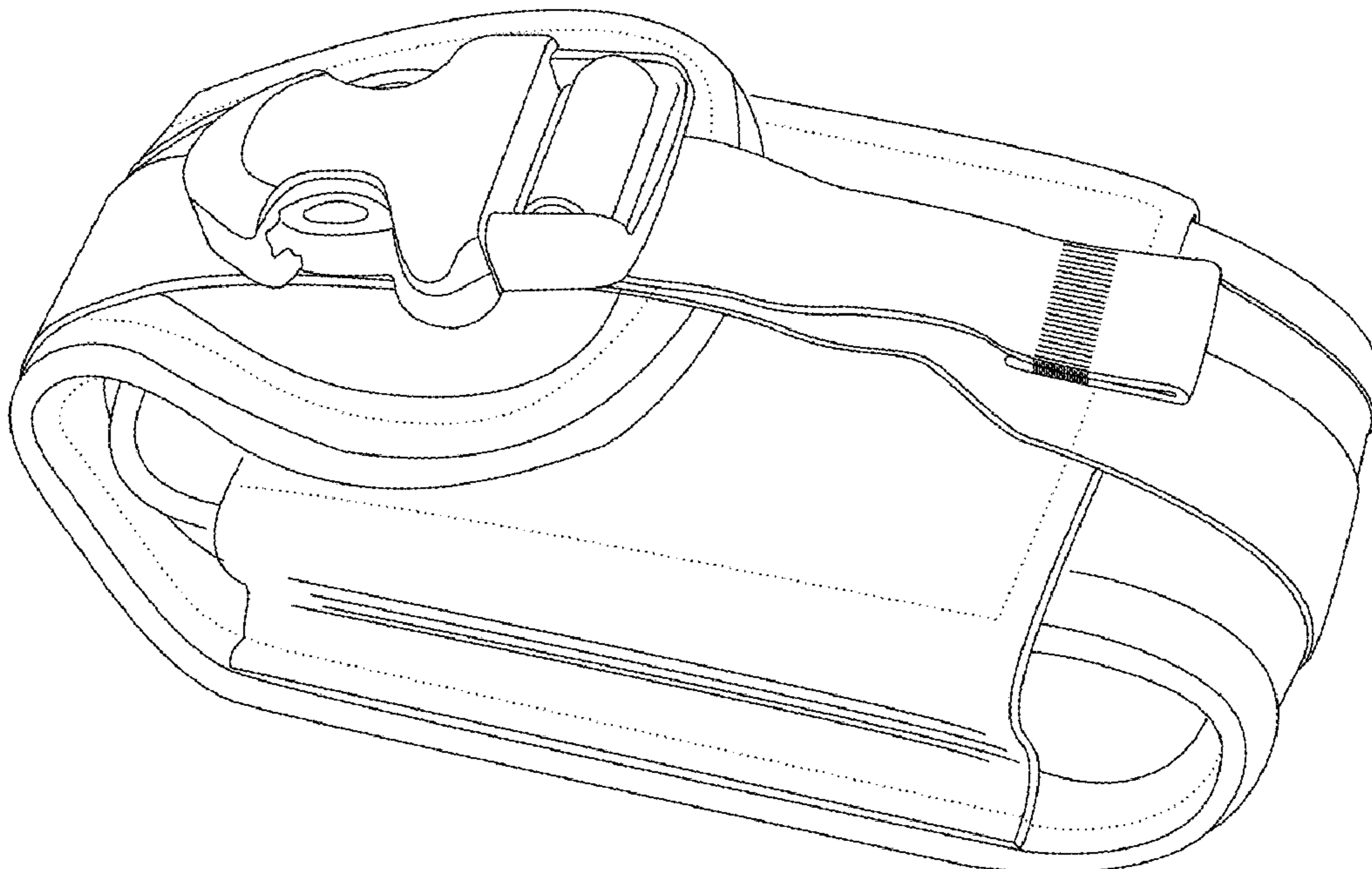
FIG. 1 is a front view of the smart phone case, which embodies my design;
FIG. 2 is a rear view of the smart phone case;
FIG. 3 is a right side view of the smart phone case;
FIG. 4 is a left side view of the smart phone case;
FIG. 5 is a front isometric view of the smart phone case;
FIG. 6 is a rear isometric view of the smart phone case;
FIG. 7 is a front isometric view of the smart phone case shown open; and,
FIG. 8 is a front isometric view of the smart phone case shown open and in use.
The broken lines depict environment which forms no part of the claimed design.

(56) **References Cited**

U.S. PATENT DOCUMENTS

D345,647 S * 4/1994 Luxon D3/218
D643,619 S * 8/2011 Littleton D3/215

1 Claim, 4 Drawing Sheets



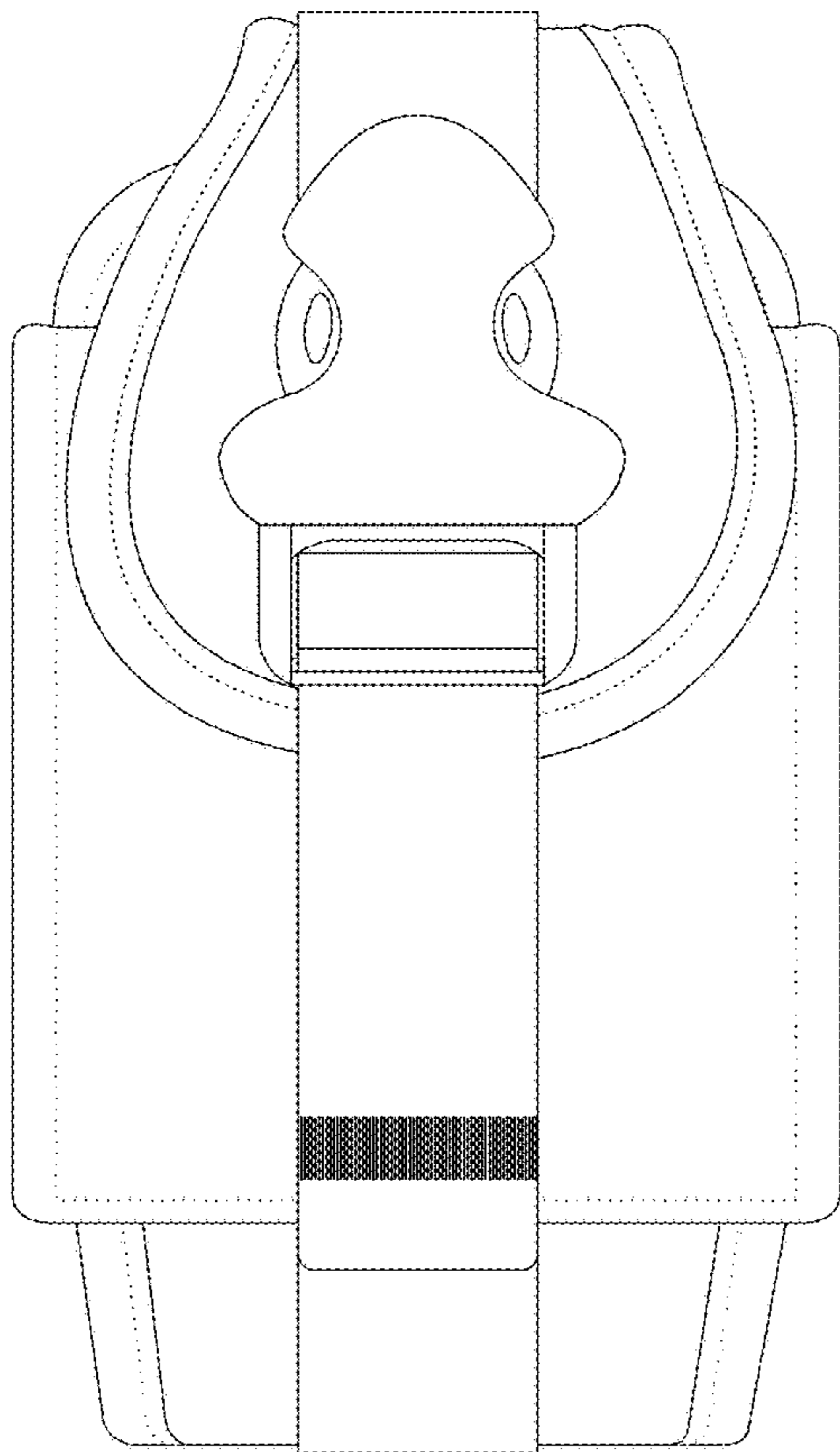


Fig. 1

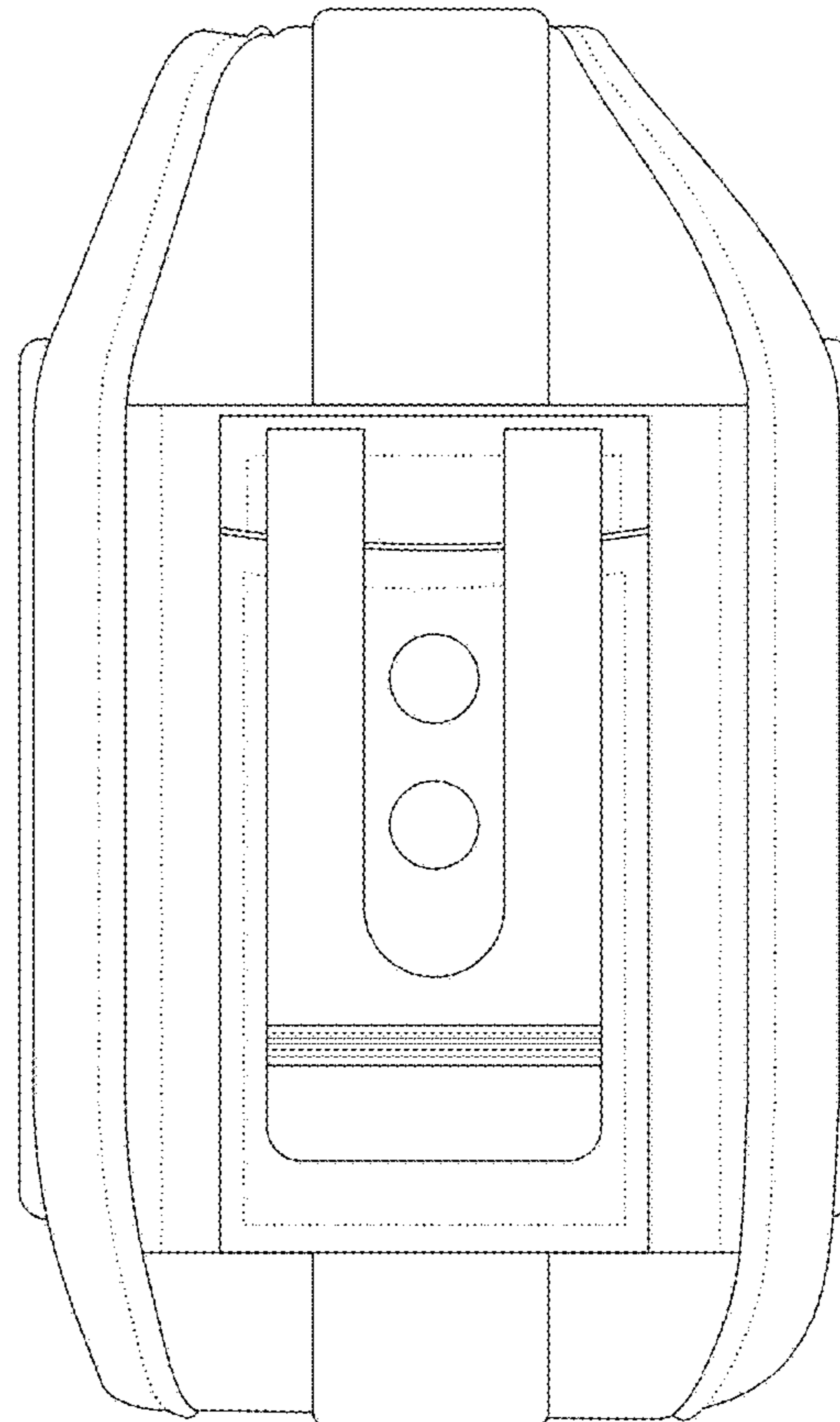


Fig. 2

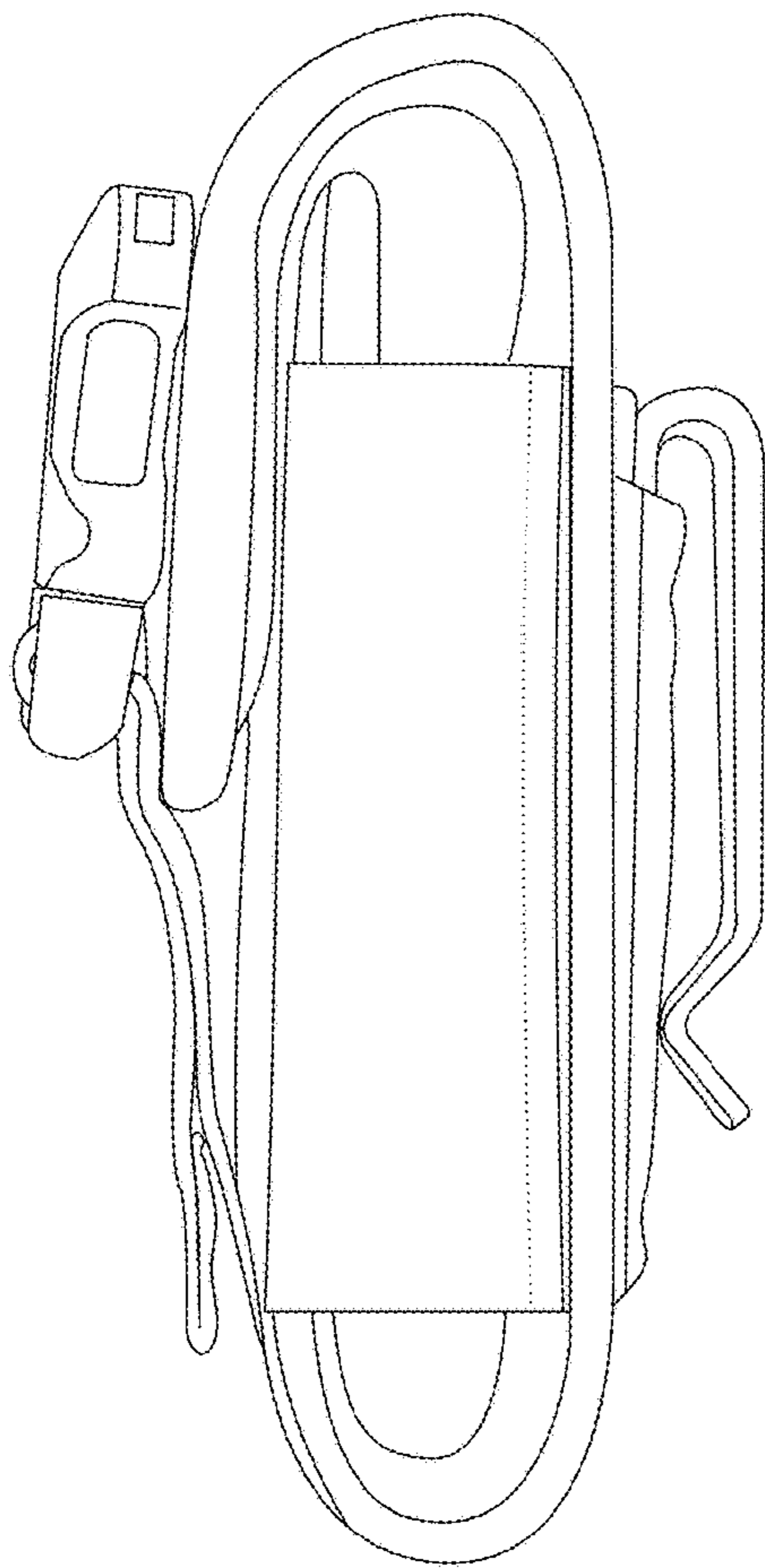


Fig. 3

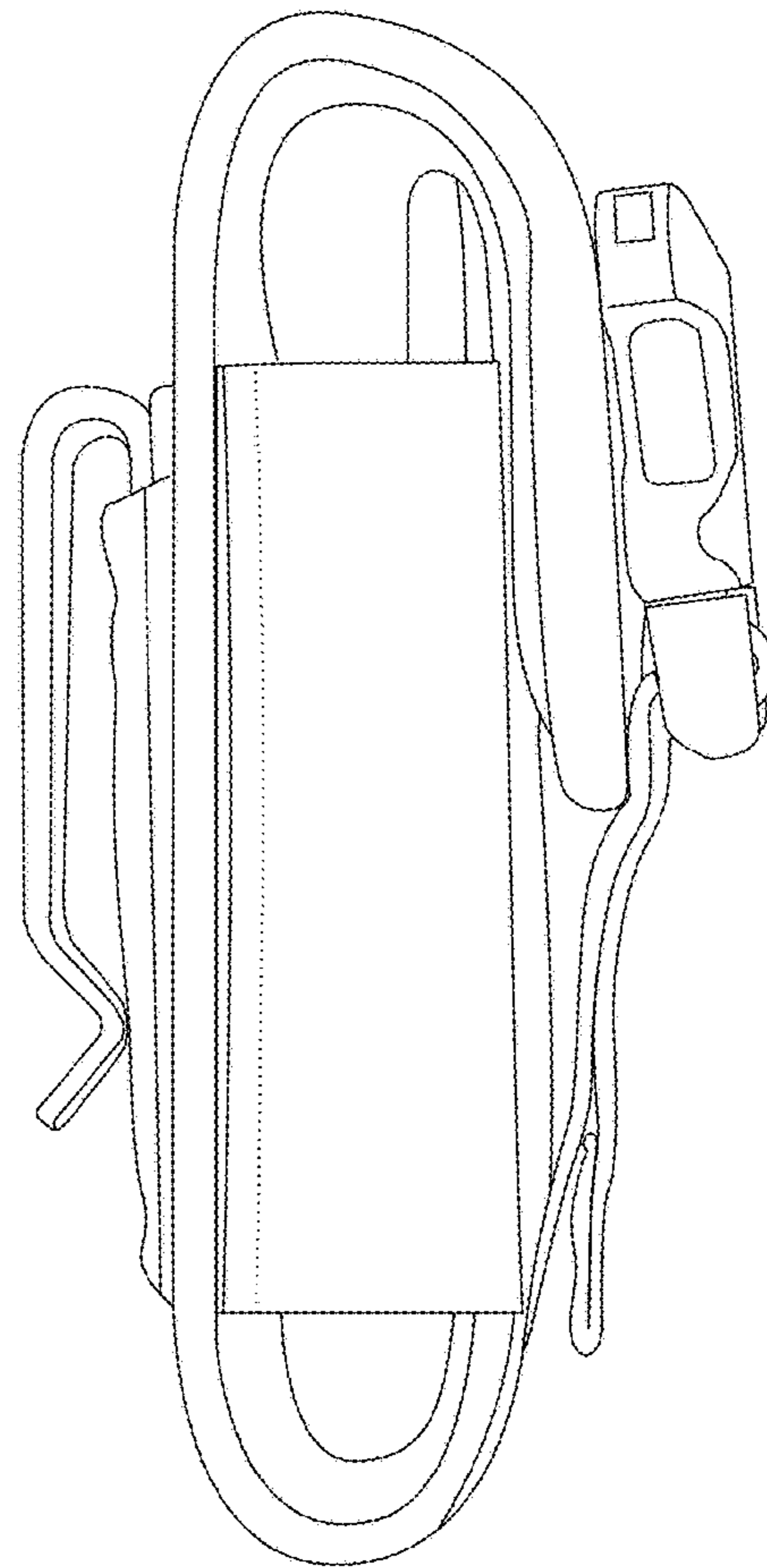


Fig. 4

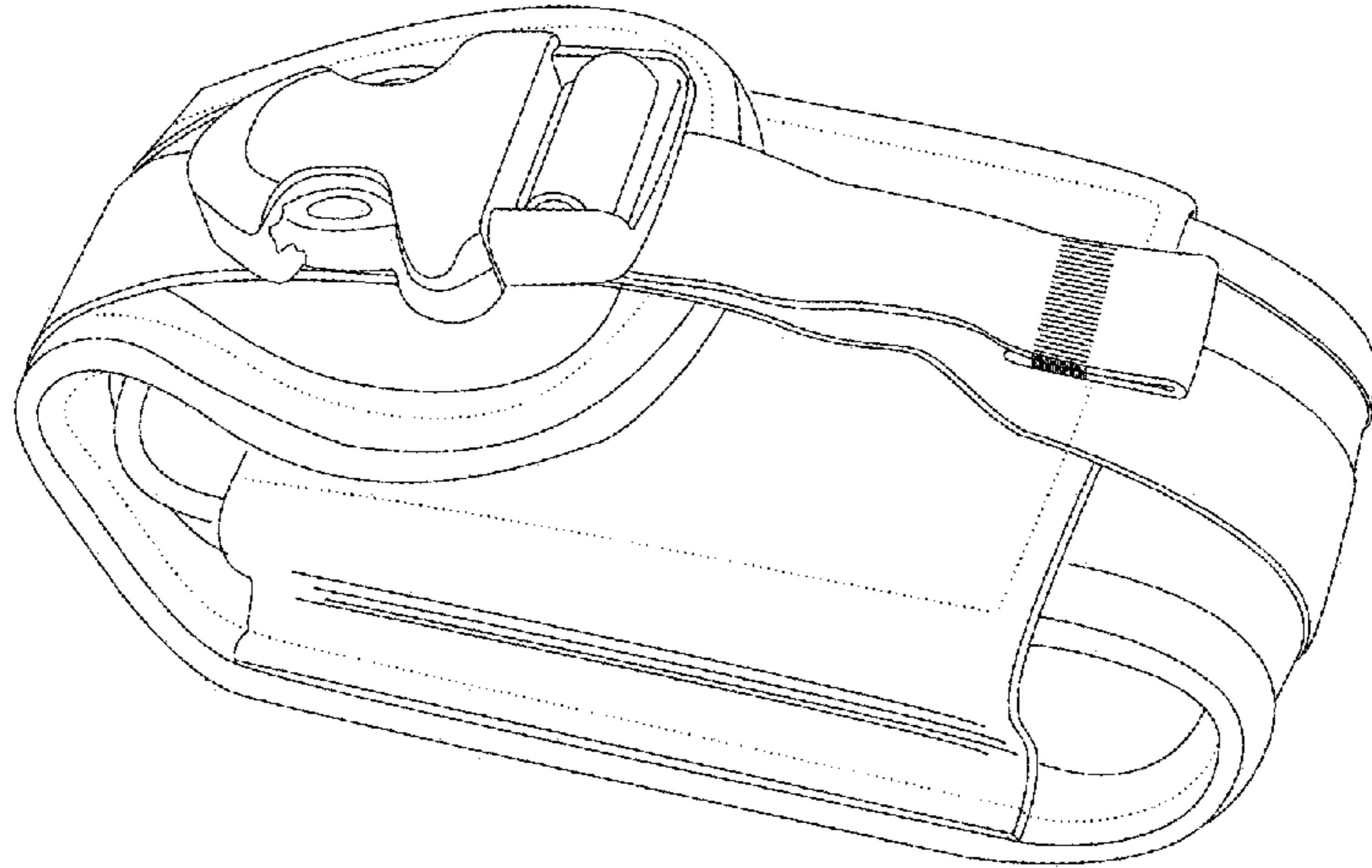


Fig. 5

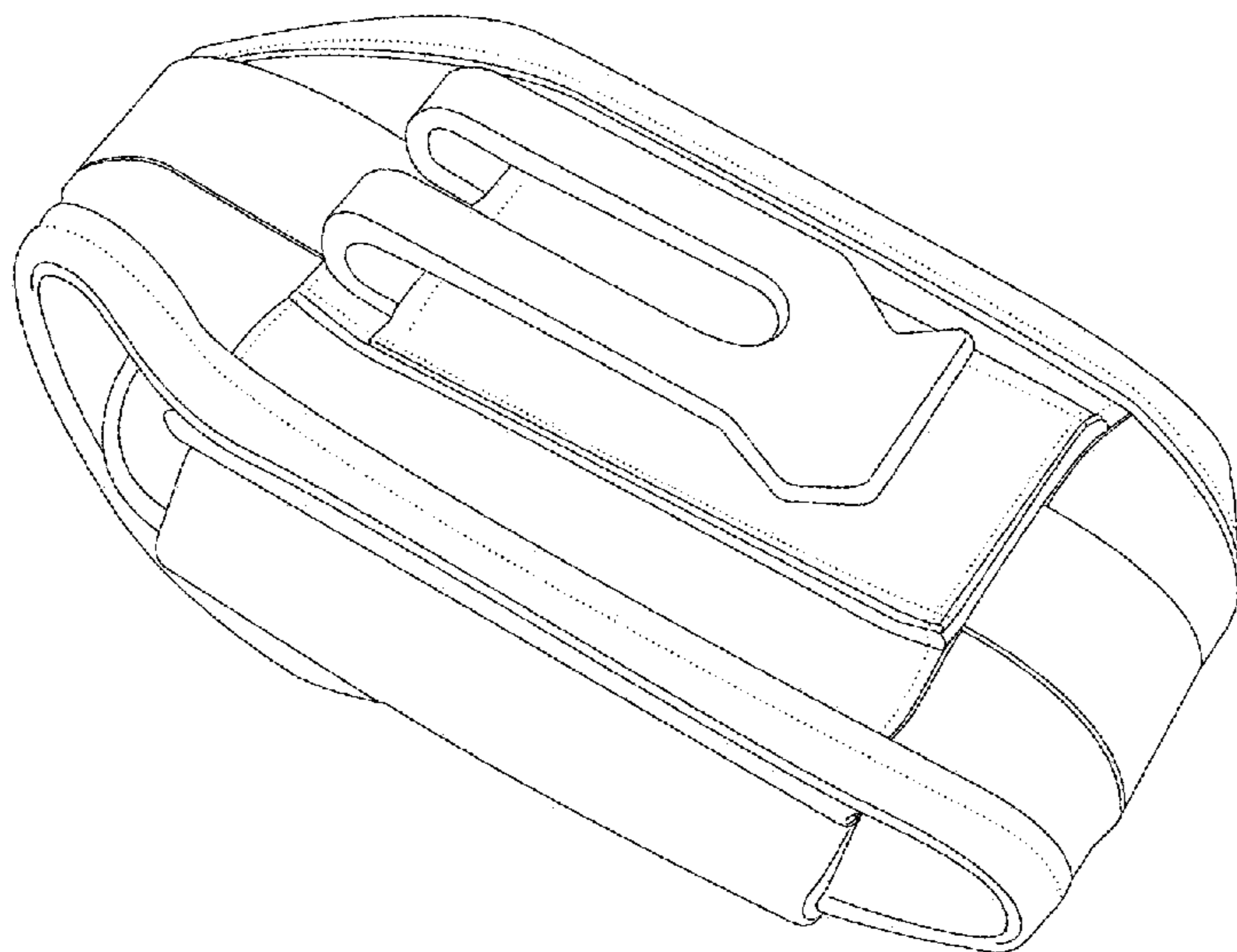


Fig. 6

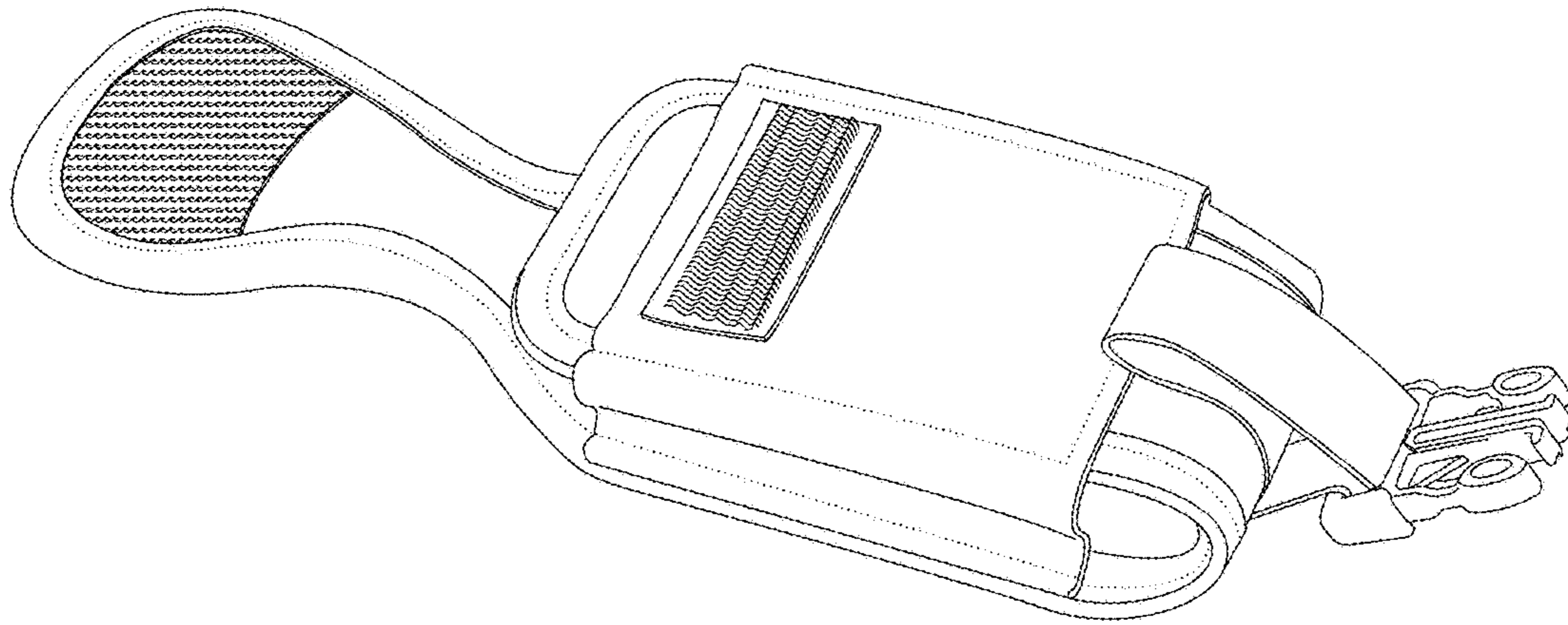


Fig. 7

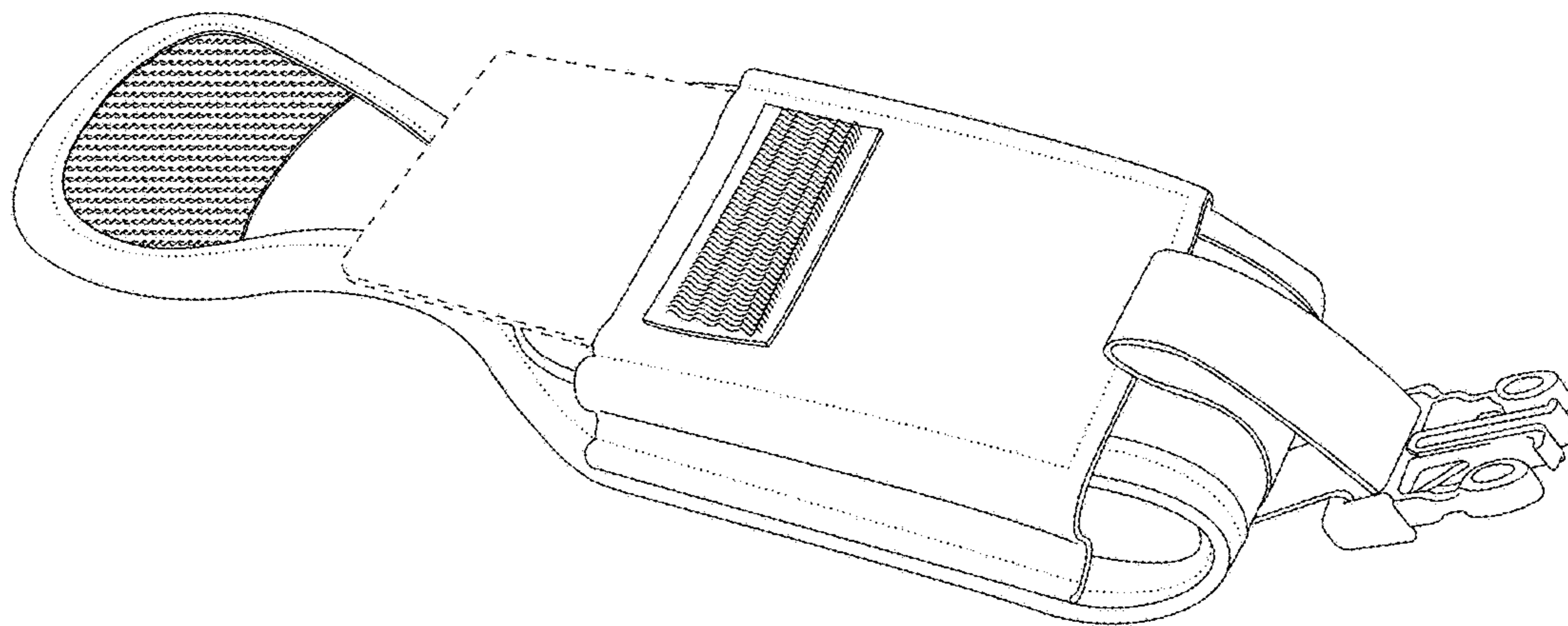


Fig. 8