



US00D793075S

(12) **United States Design Patent**
Ma et al.

(10) **Patent No.:** **US D793,075 S**

(45) **Date of Patent:** **** Aug. 1, 2017**

(54) **NOVELTY KEY CHAIN**

(71) Applicants: **Jiadong Ma**, Darien, IL (US); **Robert Carter Russell**, Northfield, IL (US)

(72) Inventors: **Jiadong Ma**, Darien, IL (US); **Robert Carter Russell**, Northfield, IL (US)

(**) Term: **15 Years**

(21) Appl. No.: **29/554,134**

(22) Filed: **Feb. 8, 2016**

(51) **LOC (10) Cl.** **03-01**

(52) **U.S. Cl.**
USPC **D3/207**

(58) **Field of Classification Search**
USPC D11/1-2, 14, 26-29, 89-92, 44, 48, 81,
D11/99; 63/26-28, 32; D3/207-212;
D8/16, 38, 347, 348; 70/456 B, 457, 458,
70/456 R; 206/37.1, 37; D14/434, 435,
D14/435.1, 436, 439, 480.3, 480.1, 480.5,
D14/480.7; D24/174, 173, 480.3
CPC A45C 11/32; A47G 29/10
See application file for complete search history.

(56) **References Cited**

U.S. PATENT DOCUMENTS

D262,241 S * 12/1981 Meo D26/38
D263,651 S * 4/1982 Meo D26/38
D353,042 S * 12/1994 Orina D3/209
5,552,664 A 9/1996 Csoknyai et al.
D380,293 S * 7/1997 Cudmore D3/208

D506,056 S * 6/2005 Burns D3/207
D544,707 S * 6/2007 Labelson D3/208
7,311,411 B2 12/2007 VanderSchuit
D619,354 S * 7/2010 Mudrick D3/208
D636,986 S * 5/2011 Idsoe D3/208
D742,167 S * 11/2015 Keuhner D11/95
9,332,812 B2 5/2016 Ma
2002/0011219 A1 1/2002 Chien
2002/0122316 A1 9/2002 Hsieh
2011/0194276 A1 8/2011 Au
2011/0197826 A1 8/2011 Hurwitz
2012/0085298 A1 4/2012 Wolters
2013/0042821 A1 2/2013 Roberts et al.
2014/0268670 A1 9/2014 Yang

* cited by examiner

Primary Examiner — Ralf Seifert

(74) *Attorney, Agent, or Firm* — Greenberg Traurig LLP

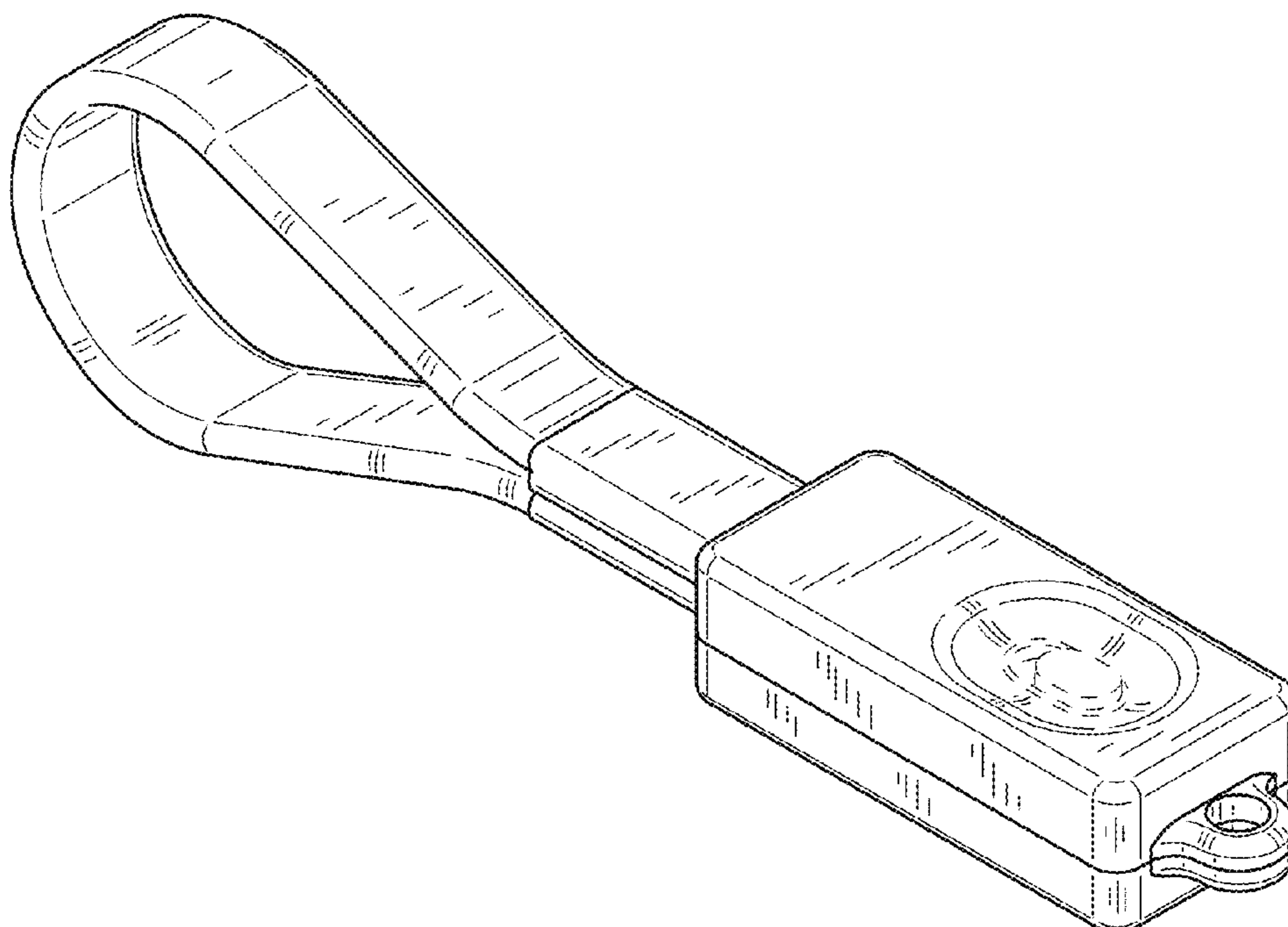
(57) **CLAIM**

What is claimed is the ornamental design for a novelty key chain, as shown and described.

DESCRIPTION

FIG. 1 is an isometric view of the novelty key chain; FIG. 2 is a front view of the novelty key chain; FIG. 3 is a back view of the novelty key chain; FIG. 4 is a right-side view of the novelty key chain; FIG. 5 is a left-side view of the novelty key chain; FIG. 6 is a top view of the novelty key chain; and, FIG. 7 is a bottom view of the novelty key chain. Elements illustrated with broken lines are for illustration only and form no part of the design claimed.

1 Claim, 5 Drawing Sheets



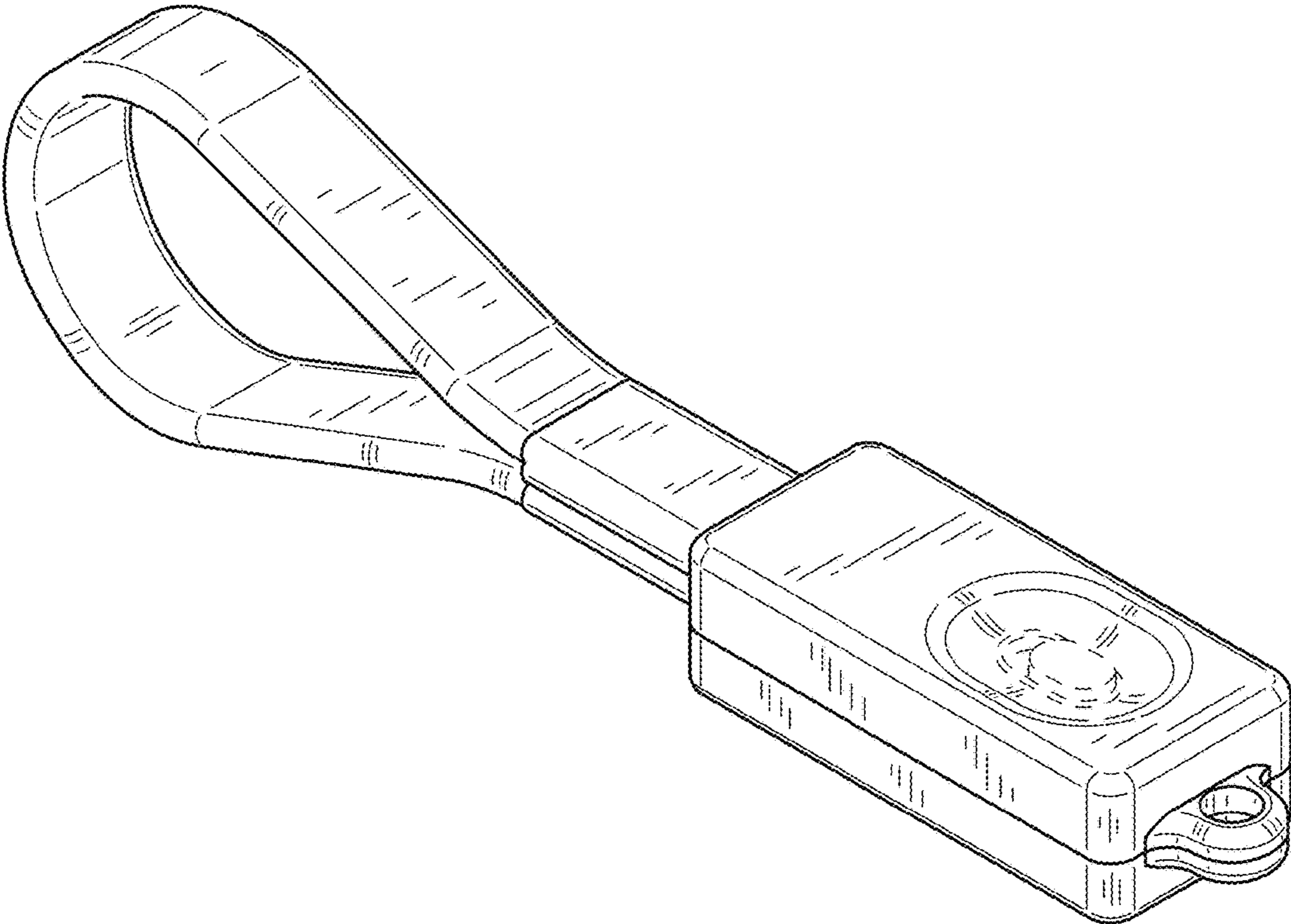


FIG.1

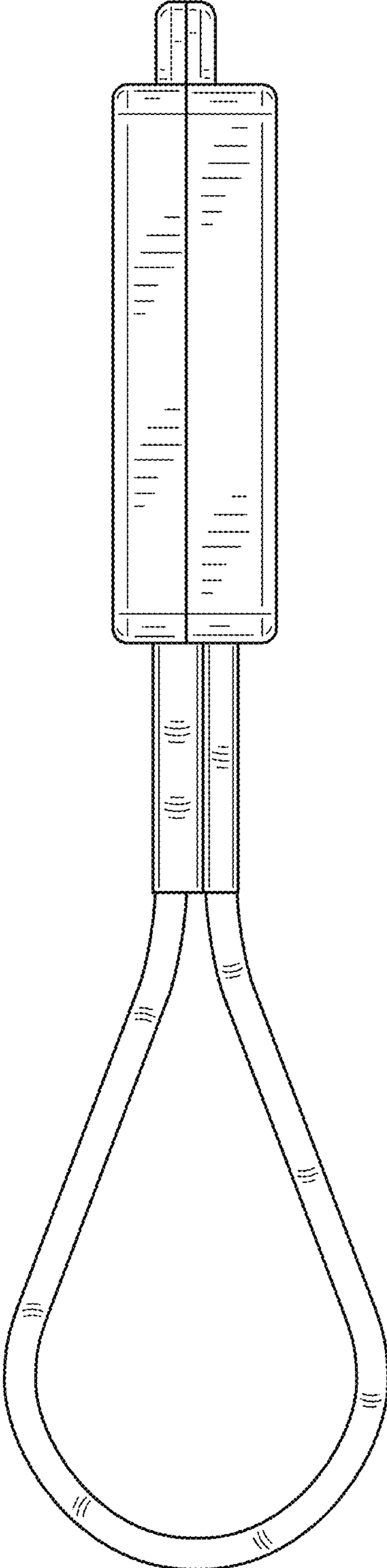


FIG.2

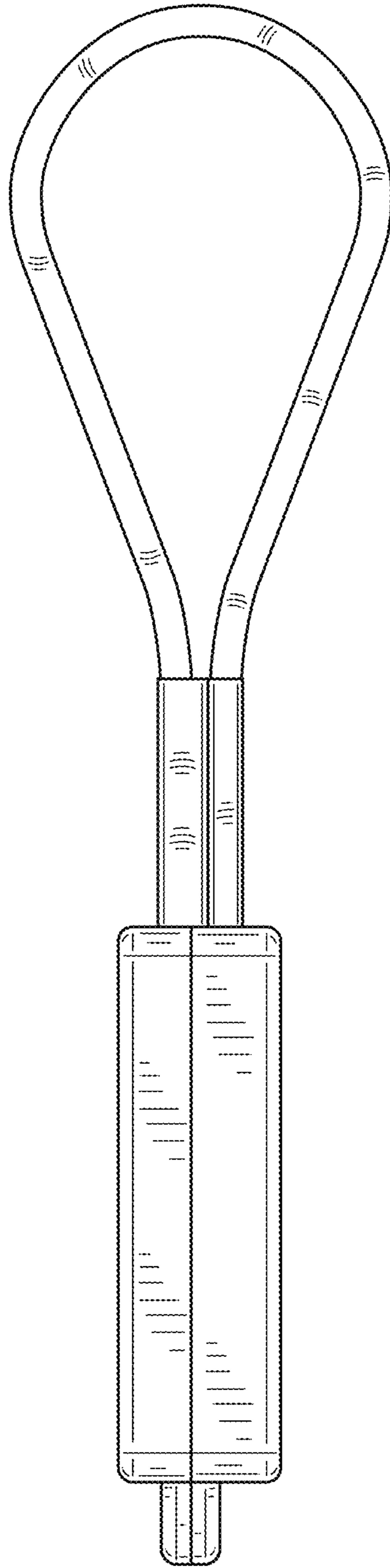


FIG. 3

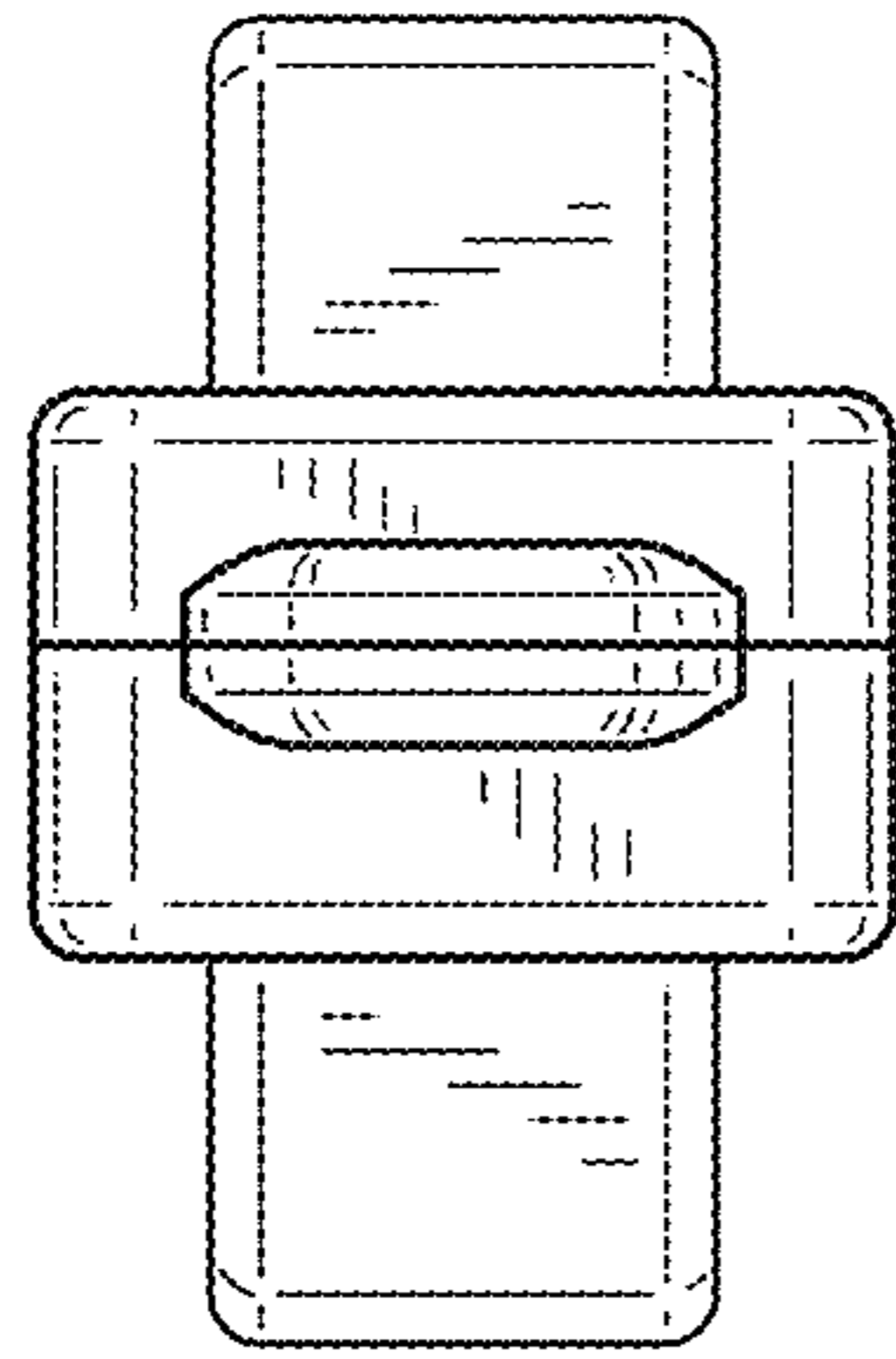


FIG. 4

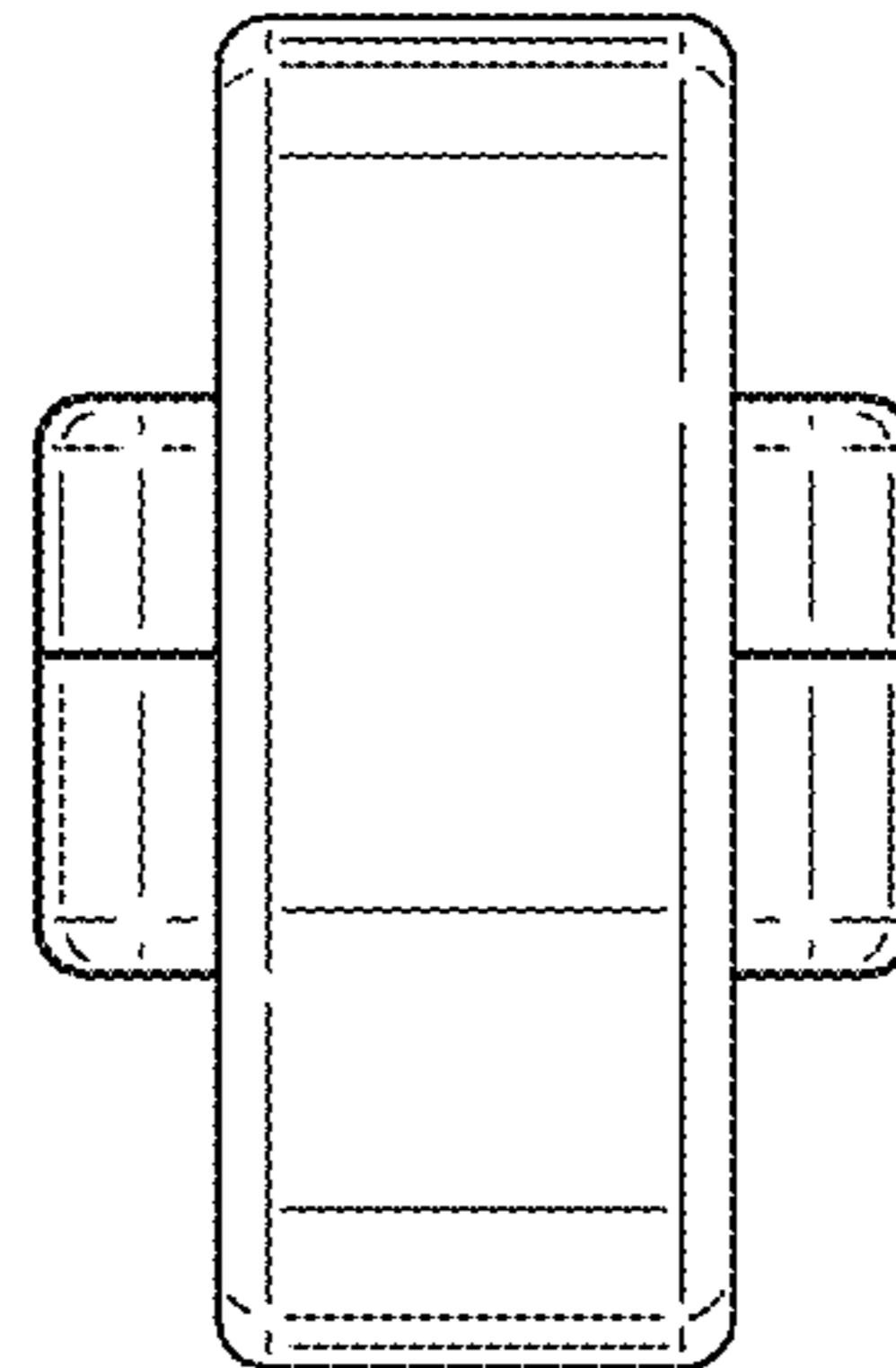


FIG. 5

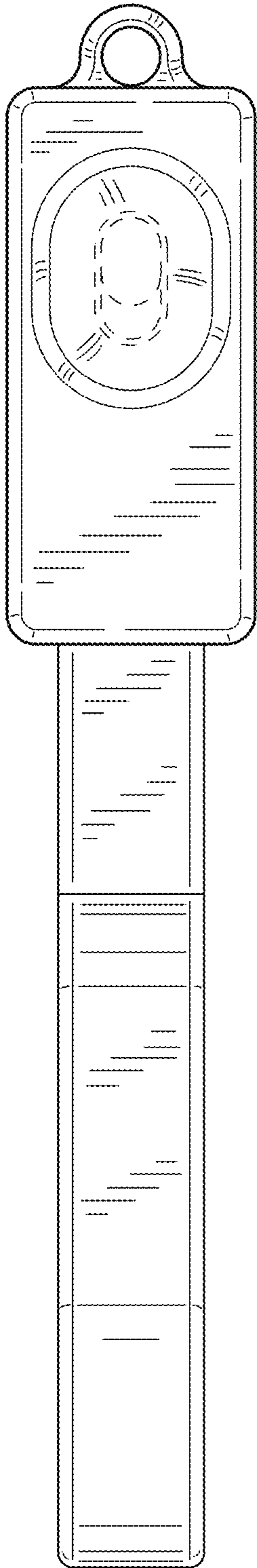


FIG. 6

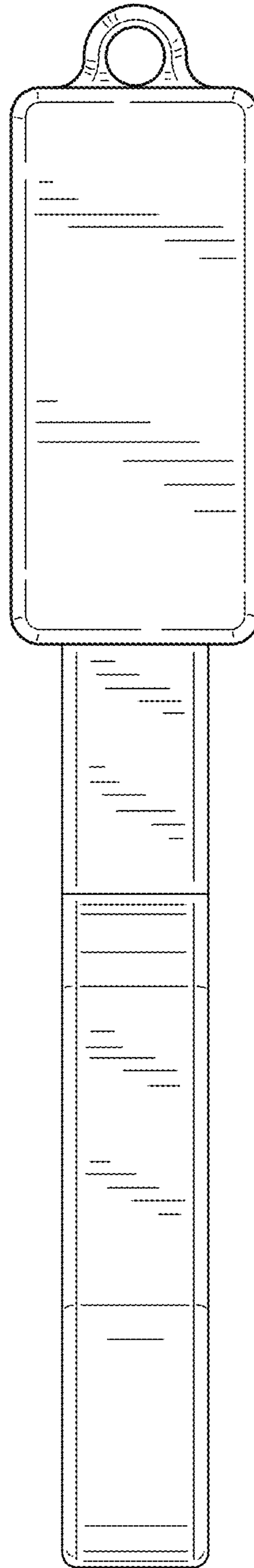


FIG. 7