



US00D793074S

(12) **United States Design Patent** (10) **Patent No.:** **US D793,074 S**
Tollefsbol et al. (45) **Date of Patent:** **** Aug. 1, 2017**

- (54) **PROTECTIVE CASE FOR ELECTRONICS**
- (71) Applicant: **Transtector Systems, Inc.**, Hayden, ID (US)
- (72) Inventors: **Trevor Orion Tollefsbol**, Coeur d'Alene, ID (US); **Eric Nguyen**, Coeur d'Alene, ID (US); **Jonah Griffith**, Seattle, WA (US); **Phelan Miller**, Seward, AK (US)
- (73) Assignee: **Transtector Systems, Inc.**, Hayden, ID (US)

D457,374 S *	5/2002	Lee	D3/201
D464,196 S *	10/2002	Parker	D3/201
D465,330 S *	11/2002	Parker	D3/201
D467,425 S *	12/2002	Hardigg	D3/276
D467,426 S *	12/2002	Hardigg	D3/276
6,955,381 B2 *	10/2005	Parker	A45C 13/1084 292/113
D516,309 S *	3/2006	Richardson	D3/273
D520,237 S *	5/2006	Cheng	D3/276
D523,242 S *	6/2006	Hardigg	D3/276
D526,483 S *	8/2006	Lay	D3/282
D543,700 S *	6/2007	Parker	D14/315
D569,103 S *	5/2008	Hoge	D3/273
D576,785 S *	9/2008	TerMeer	D3/201
D577,904 S *	10/2008	Sasaki	D3/201

(Continued)

- (**) Term: **15 Years**
- (21) Appl. No.: **29/565,346**
- (22) Filed: **May 19, 2016**

Primary Examiner — John Windmuller
Assistant Examiner — Steven Czyz
 (74) *Attorney, Agent, or Firm* — Snell & Wilmer LLP

Related U.S. Application Data

- (63) Continuation of application No. 29/529,587, filed on Jun. 9, 2015, now Pat. No. Des. 756,626.
- (51) **LOC (10) Cl.** **03-01**
- (52) **U.S. Cl.**
USPC **D3/201**
- (58) **Field of Classification Search**
USPC D3/201, 276, 203.6, 263, 267, 282, 294;
D6/631–634
CPC A45C 3/02; A45C 13/20; A45C 7/0022;
A45C 13/262; B25H 3/02
See application file for complete search history.

(57) **CLAIM**

We claim the ornamental design for a protective case for electronics, as shown and described.

DESCRIPTION

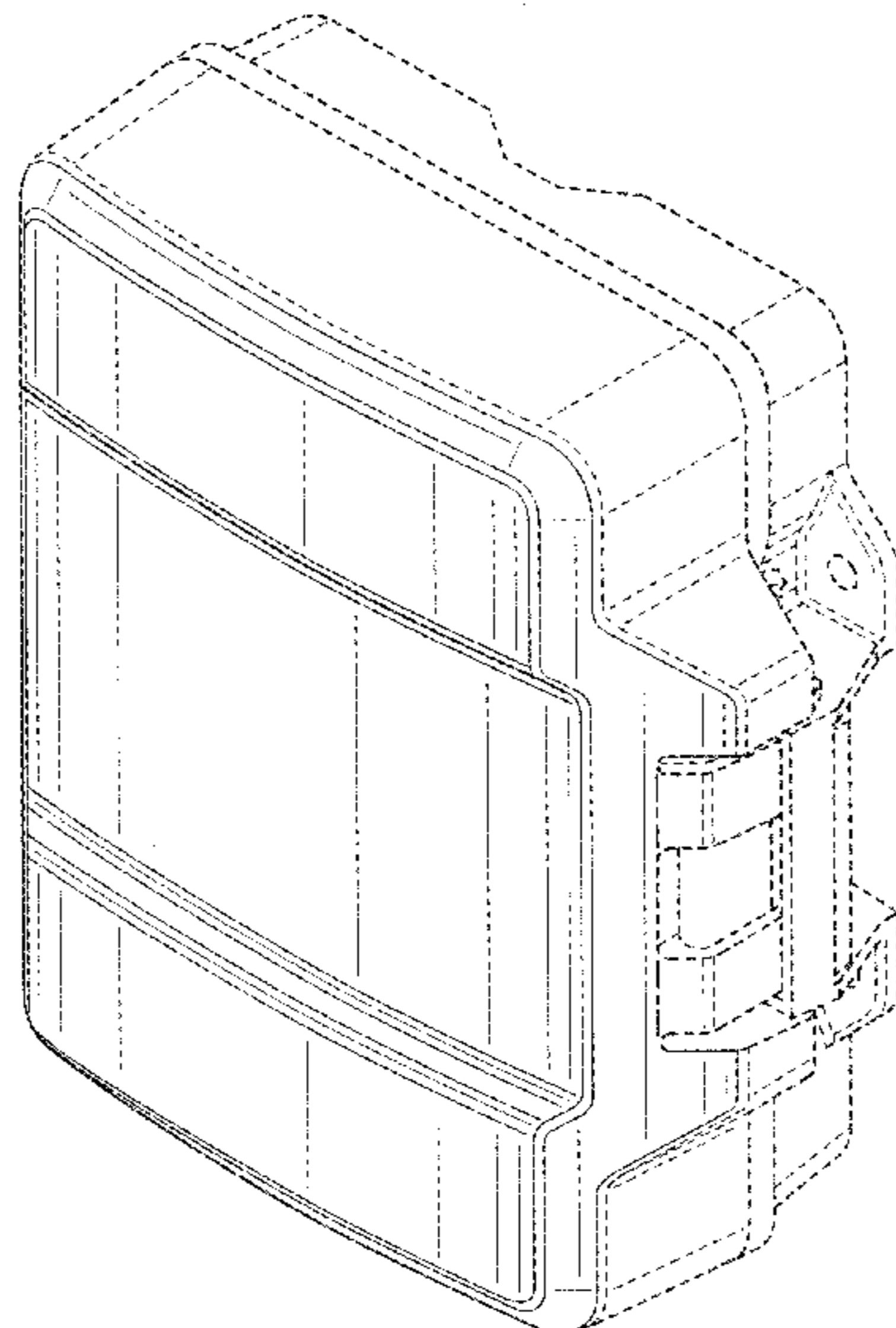
FIG. 1 is a front perspective view of a protective case for electronics showing our new design;
 FIG. 2 is a front view of the protective case;
 FIG. 3 is a rear view of the protective case;
 FIG. 4 is a left side view of the protective case;
 FIG. 5 is a right side view of the protective case;
 FIG. 6 is a top view of the protective case; and,
 FIG. 7 is a bottom view of the protective case.
 The broken lines in the FIGURES depict the environment related to the claimed design and portions of the protective case for electronics that form no part of the claimed design. The dash-dot-dash broken lines in the FIGURES show boundary lines defining the bounds of the claim. The unshaded surfaces bounded by the broken lines form no part of the claimed design.

(56) **References Cited**

U.S. PATENT DOCUMENTS

D275,822 S *	10/1984	Gatland	D3/282
D356,891 S *	4/1995	Hobson	D3/201
D369,901 S *	5/1996	Laube	D3/201
D439,407 S *	3/2001	Parker	D3/276
D441,954 S *	5/2001	Parker	D3/273

1 Claim, 6 Drawing Sheets



(56)

References Cited

U.S. PATENT DOCUMENTS

D627,165 S * 11/2010 Habersetzer D3/284
D636,993 S * 5/2011 Okuda D3/276
8,526,180 B2 * 9/2013 Rayner G06F 1/1626
206/320
D690,703 S * 10/2013 Welch D14/440
D712,137 S * 9/2014 Hsu D3/228
D715,052 S * 10/2014 Fair D3/301
D717,287 S * 11/2014 Macrina D14/250
D733,429 S * 7/2015 Grenier D3/294
D733,714 S * 7/2015 Ballou D14/440
D752,862 S * 4/2016 Riddiford D3/272
D756,626 S * 5/2016 Tollefsbol D3/201
D758,064 S * 6/2016 Zwetzig D3/201
D758,065 S * 6/2016 Zwetzig D3/201
D759,971 S * 6/2016 Riddiford D3/279
9,408,460 B2 * 8/2016 Patstone A45C 9/00
2003/0080124 A1 * 5/2003 Parker A45C 13/008
220/4.21

* cited by examiner

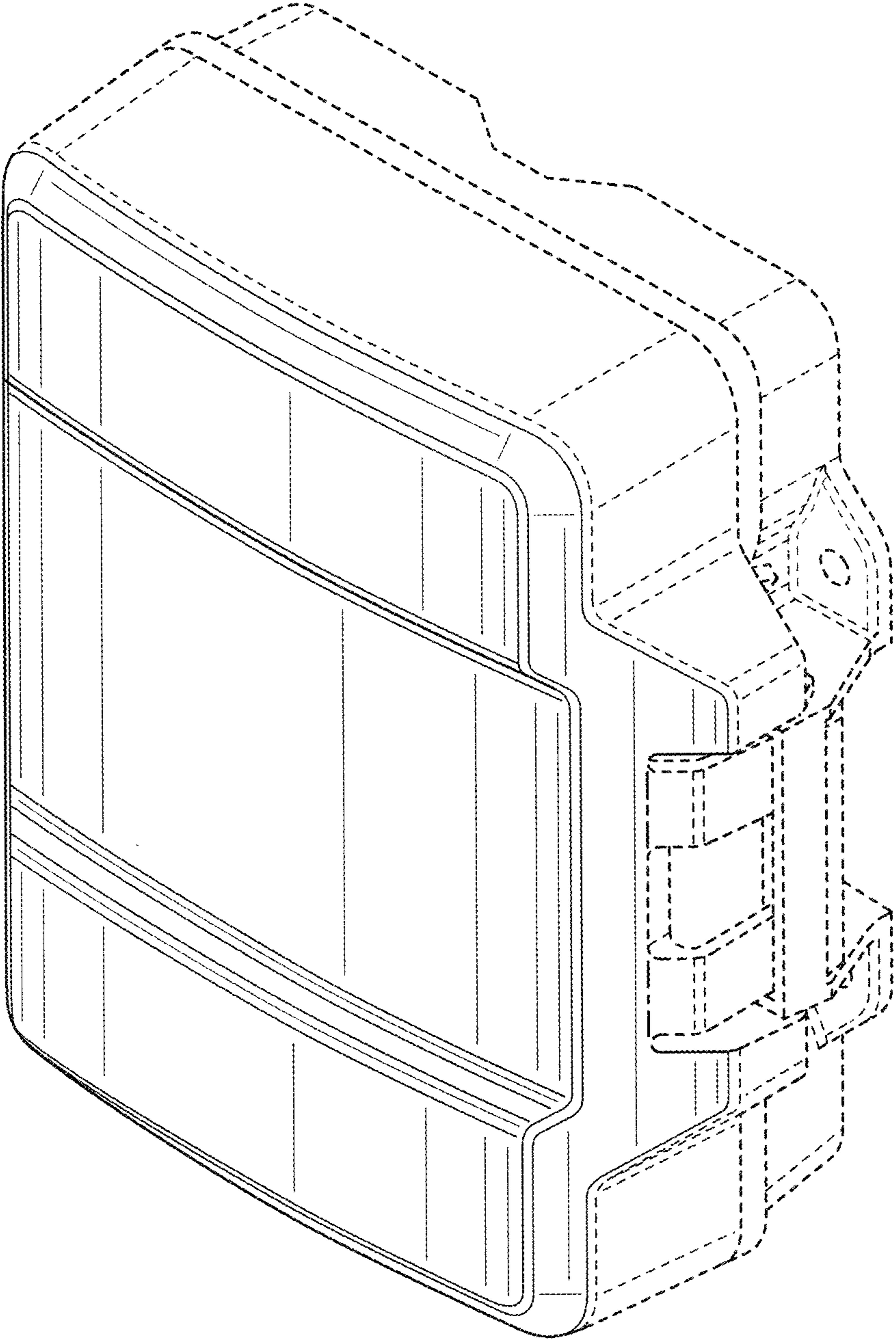


FIG. 1

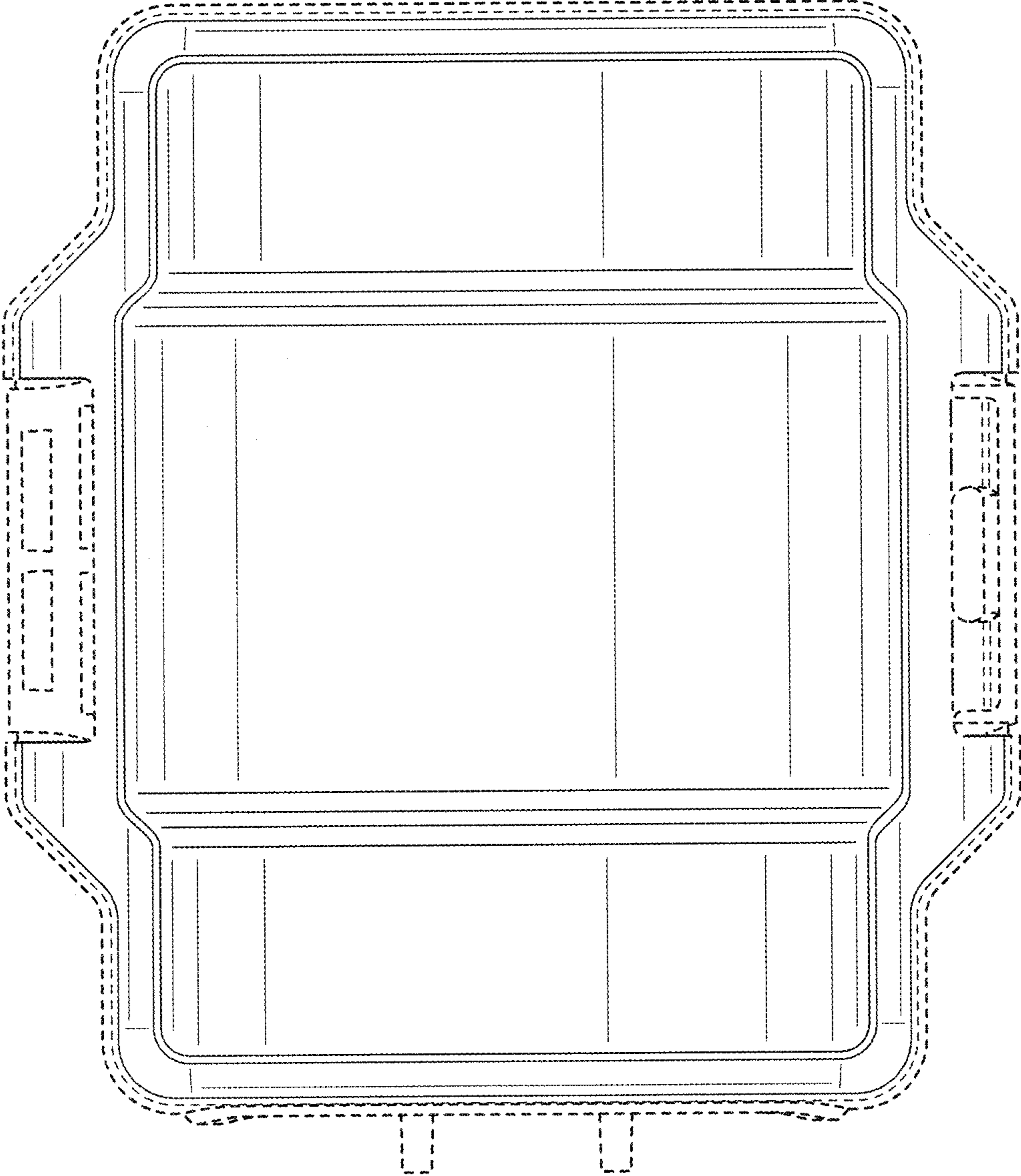


FIG. 2

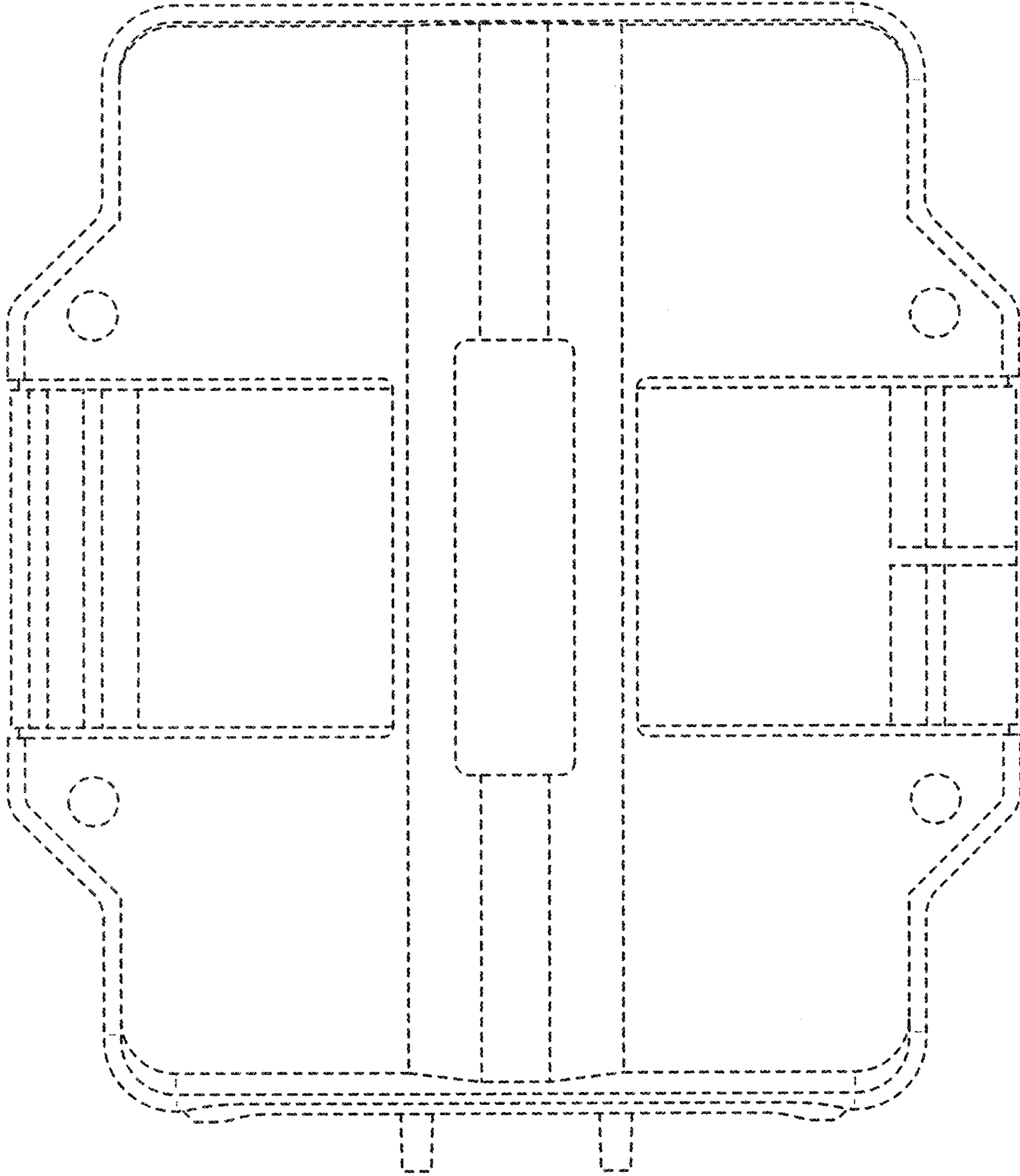


FIG. 3

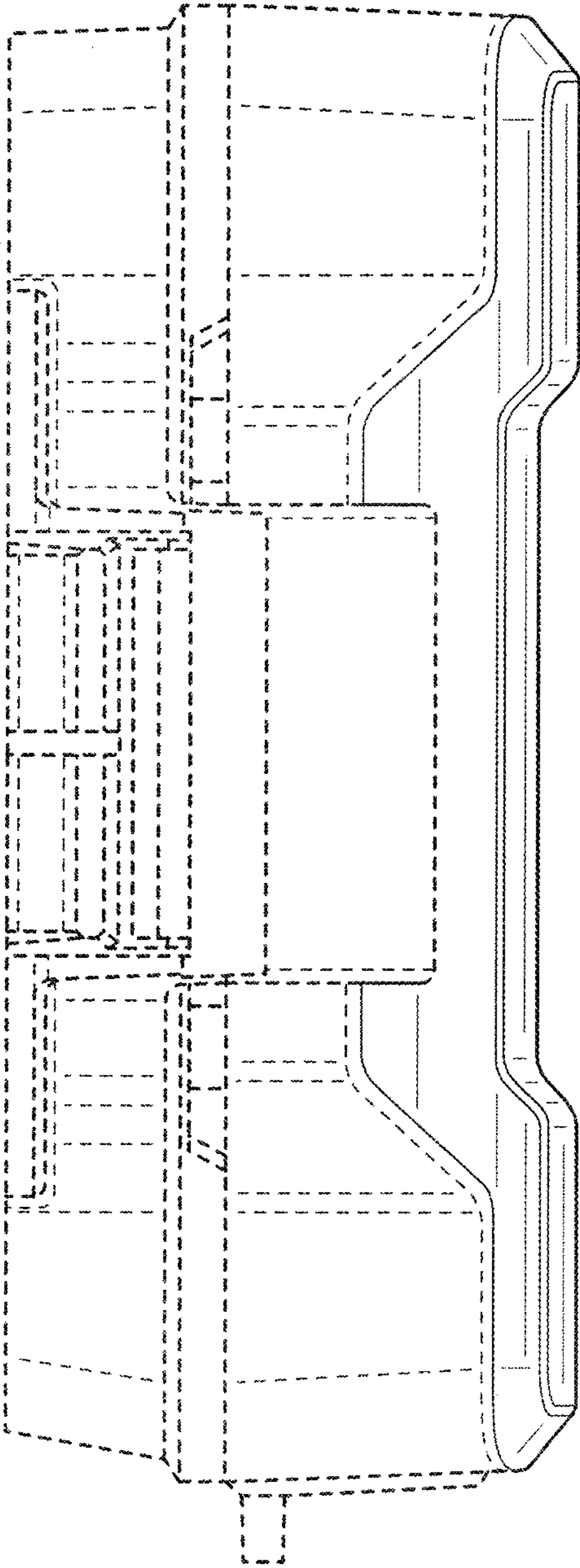


FIG. 4

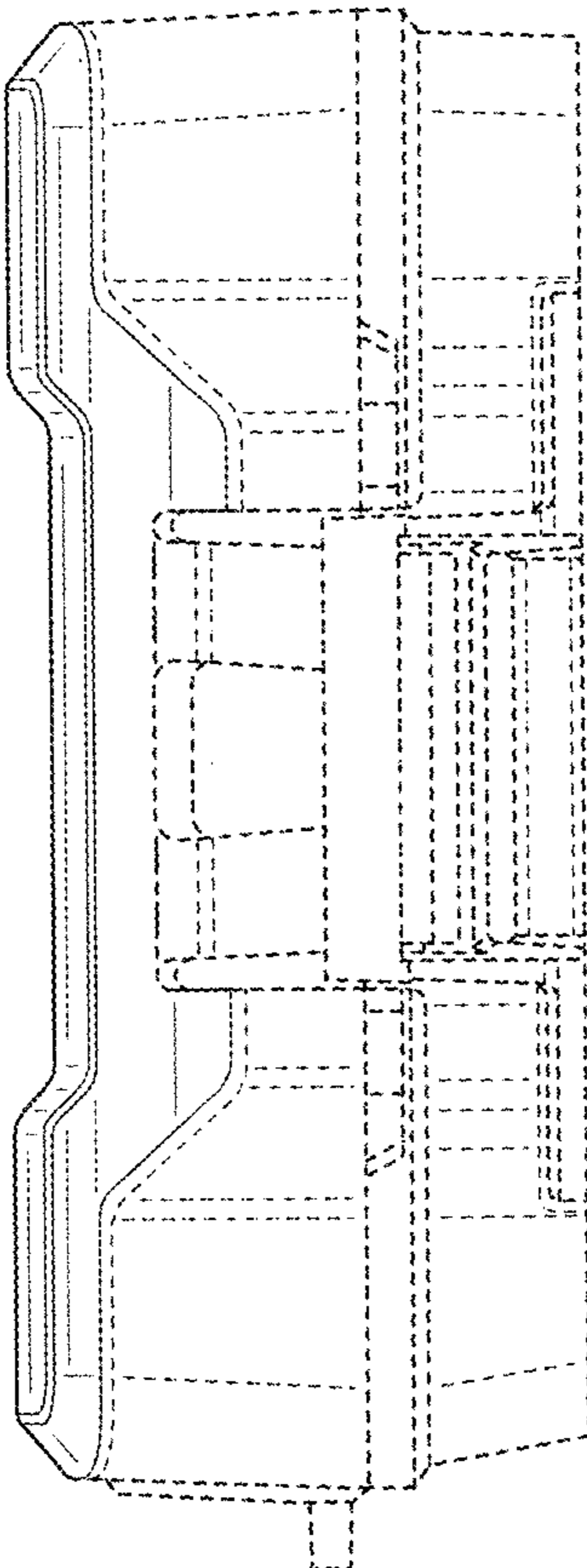


FIG. 5

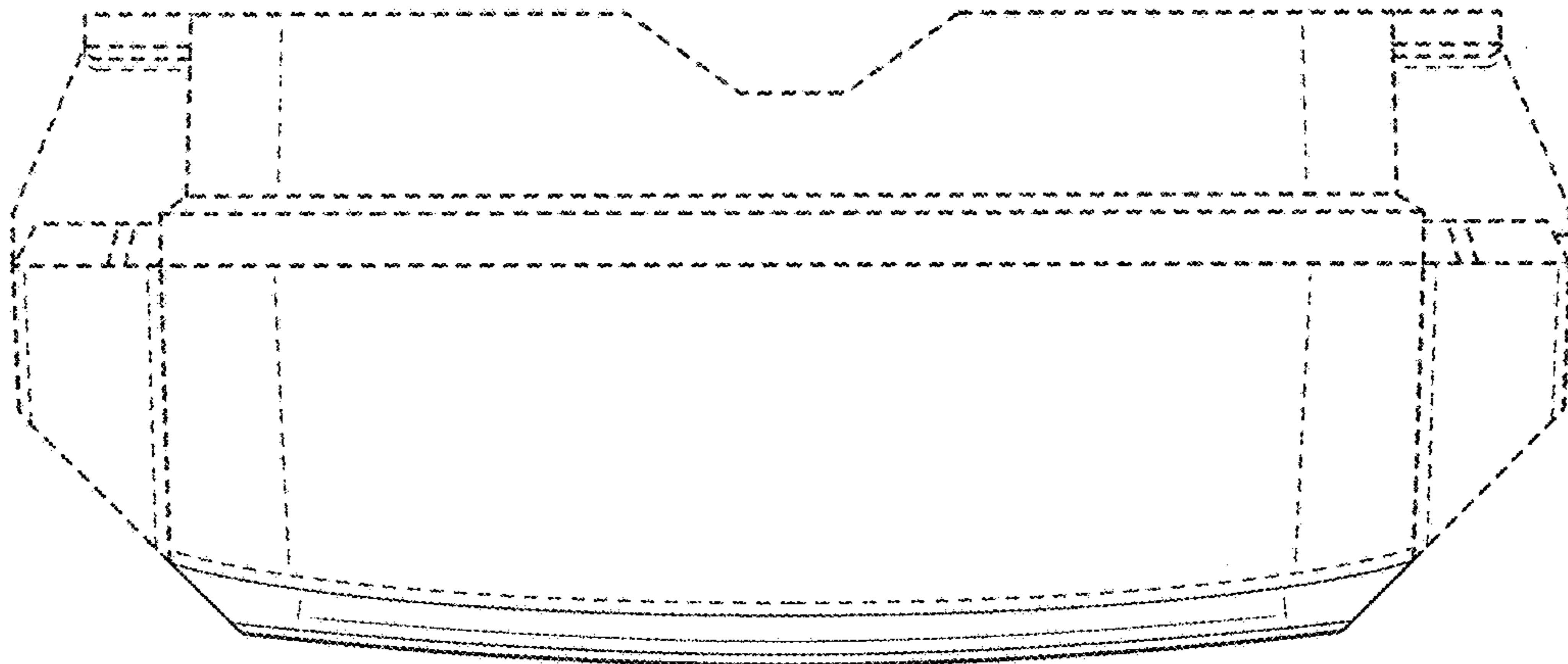


FIG. 6

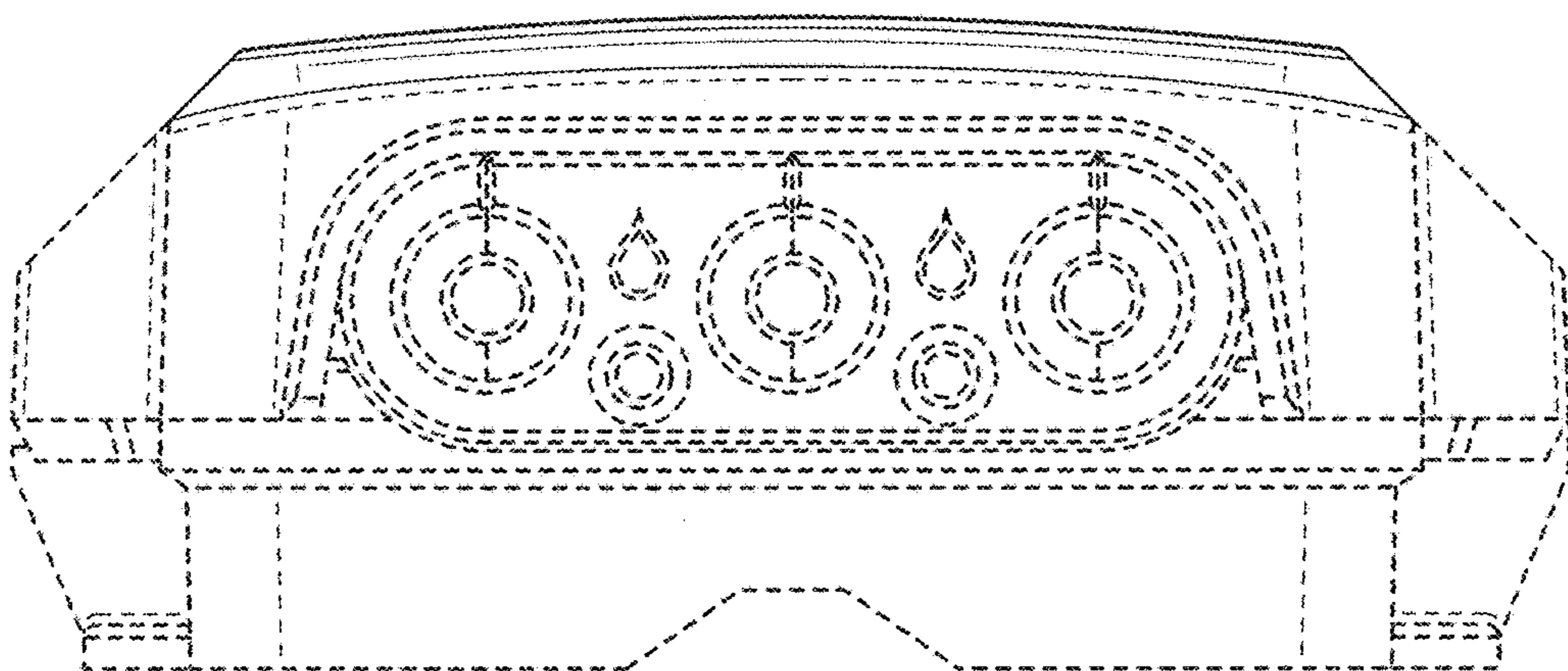


FIG. 7