



US00D793058S

(12) **United States Design Patent**
LaRusso

(10) **Patent No.:** **US D793,058 S**

(45) **Date of Patent:** **** Aug. 1, 2017**

(54) **FOOTWEAR**

(71) Applicant: **J. Choo Limited**, London (GB)

(72) Inventor: **Nicholas LaRusso**, London (GB)

(73) Assignee: **J. Choo Limited**, London (GB)

(**) Term: **15 Years**

(21) Appl. No.: **29/545,458**

(22) Filed: **Nov. 12, 2015**

(51) **LOC (10) Cl.** **02-99**

(52) **U.S. Cl.**
USPC **D2/971**

(58) **Field of Classification Search**
USPC D2/896, 925-942, 971
CPC A43B 21/00; A43B 21/02; A43B 21/06;
A43B 9/14; A43B 1/0045; A43B 13/10;
A43B 13/12; A43B 23/06; A43B 23/07;
A43B 1/0036; A43B 5/12

See application file for complete search history.

(56) **References Cited**

U.S. PATENT DOCUMENTS

D101,886 S *	11/1936	Perugia	D2/930
D102,733 S *	1/1937	Starr	D2/930
D103,589 S	3/1937	Perugia		
D108,340 S *	2/1938	Molea	D2/940
D119,294 S *	3/1940	Wertheim	D2/927
D554,350 S *	11/2007	Lawler	D2/971
D554,844 S *	11/2007	Choi	D2/971
D558,439 S *	1/2008	Lawler	D2/971
D558,969 S *	1/2008	Guers-Neyrud	D2/971
D559,522 S *	1/2008	Lawler	D2/971
D567,487 S *	4/2008	Choi	D2/926
D572,456 S *	7/2008	Guers-Neyrud	D2/971
D613,051 S *	4/2010	Guers-Neyraud	D2/971
D628,788 S *	12/2010	Wilkinson	D2/929
D628,790 S *	12/2010	Wilkinson	D2/929

D636,163 S *	4/2011	Guers-Neyraud	D2/971
D636,164 S *	4/2011	Guers-Neyraud	D2/971
D636,165 S *	4/2011	Guers-Neyraud	D2/971
D636,167 S *	4/2011	Guers-Neyraud	D2/971
D655,906 S *	3/2012	Issler	D2/971
D735,459 S *	8/2015	Choi	D2/971

* cited by examiner

Primary Examiner — Dominic Simone

(74) *Attorney, Agent, or Firm* — Fross Zelnick Lehrman & Zissu, P.C.; Lawrence E. Apolzon, Esq.

(57) **CLAIM**

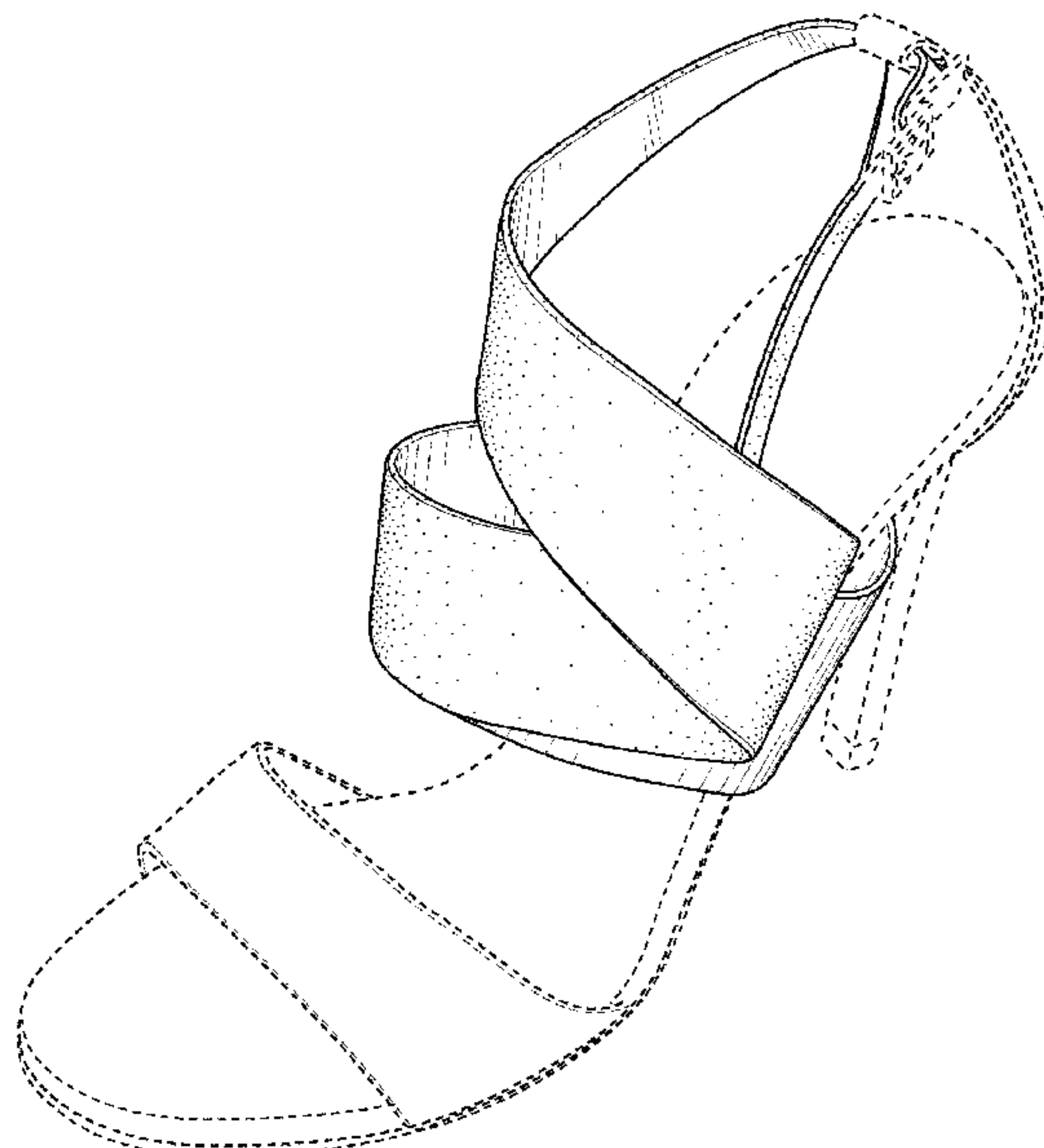
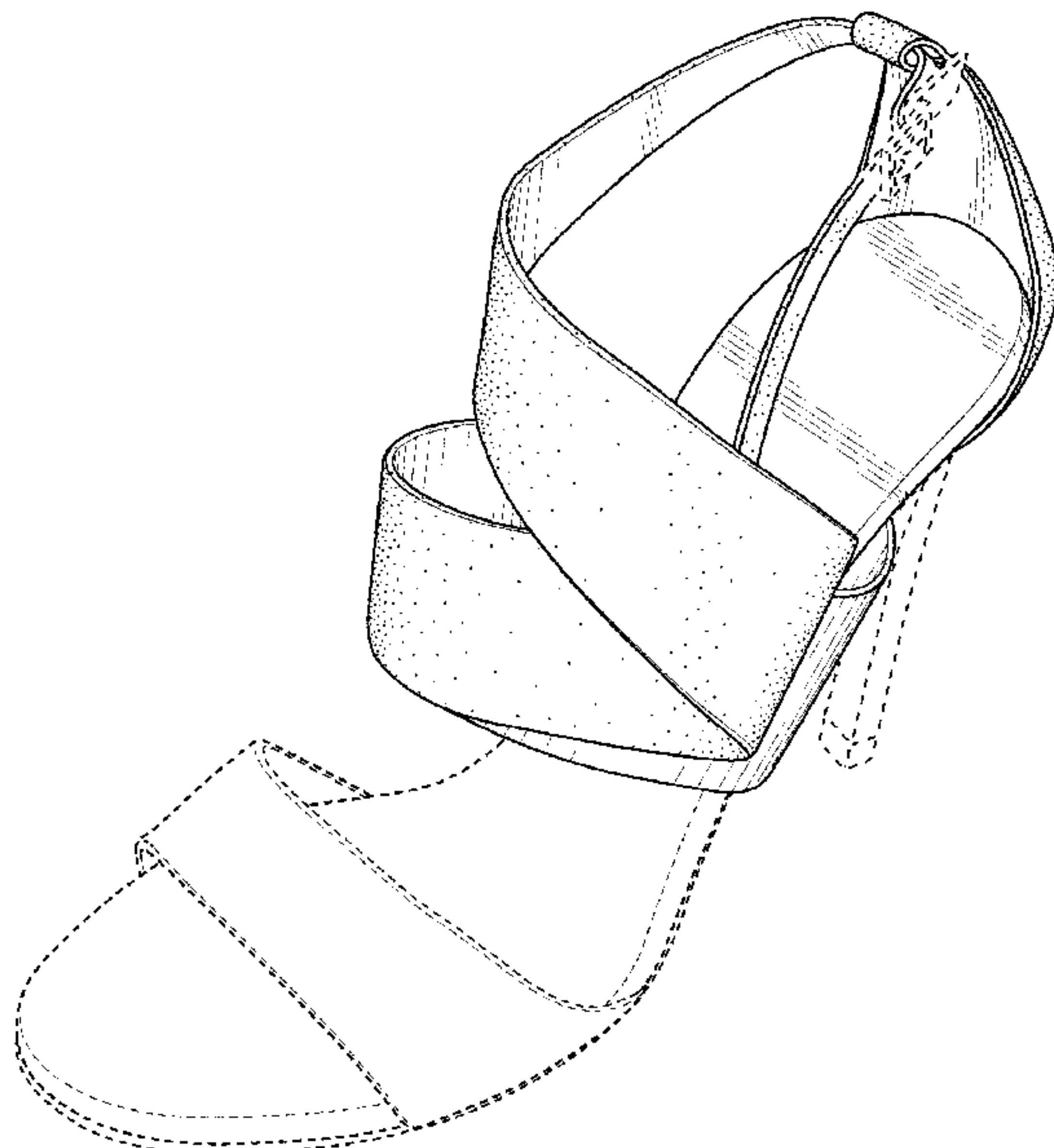
The ornamental design for footwear, as shown and described.

DESCRIPTION

FIG. 1 is a front perspective view of a shoe showing my new design;
 FIG. 2 is a right side view thereof;
 FIG. 3 is a left side view thereof;
 FIG. 4 is a front view thereof;
 FIG. 5 is a rear view thereof;
 FIG. 6 is a top view thereof;
 FIG. 7 is a front perspective view of an alternative embodiment of shoe shown in FIG. 1;
 FIG. 8 is a right side view thereof;
 FIG. 9 is a left side view thereof;
 FIG. 10 is a front view thereof;
 FIG. 11 is a rear view thereof; and,
 FIG. 12 is a top view thereof.

The stippling shown in the drawings indicates fabric contrast.
 The broken line showing of the heel, footbed, portions of the upper, portions of the straps, and buckle in the drawings shows unclaimed subject matter.

1 Claim, 12 Drawing Sheets



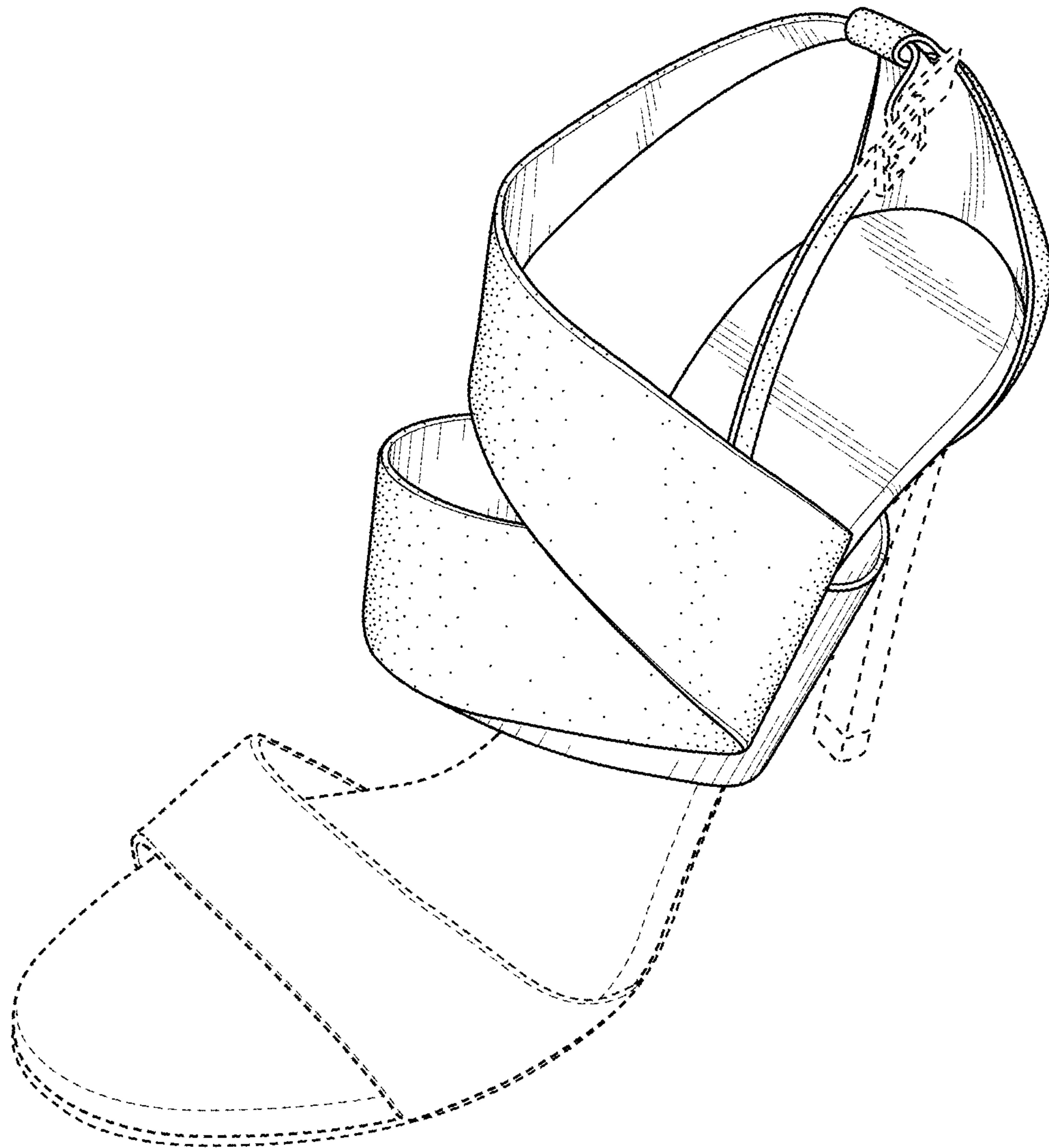


FIG. 1

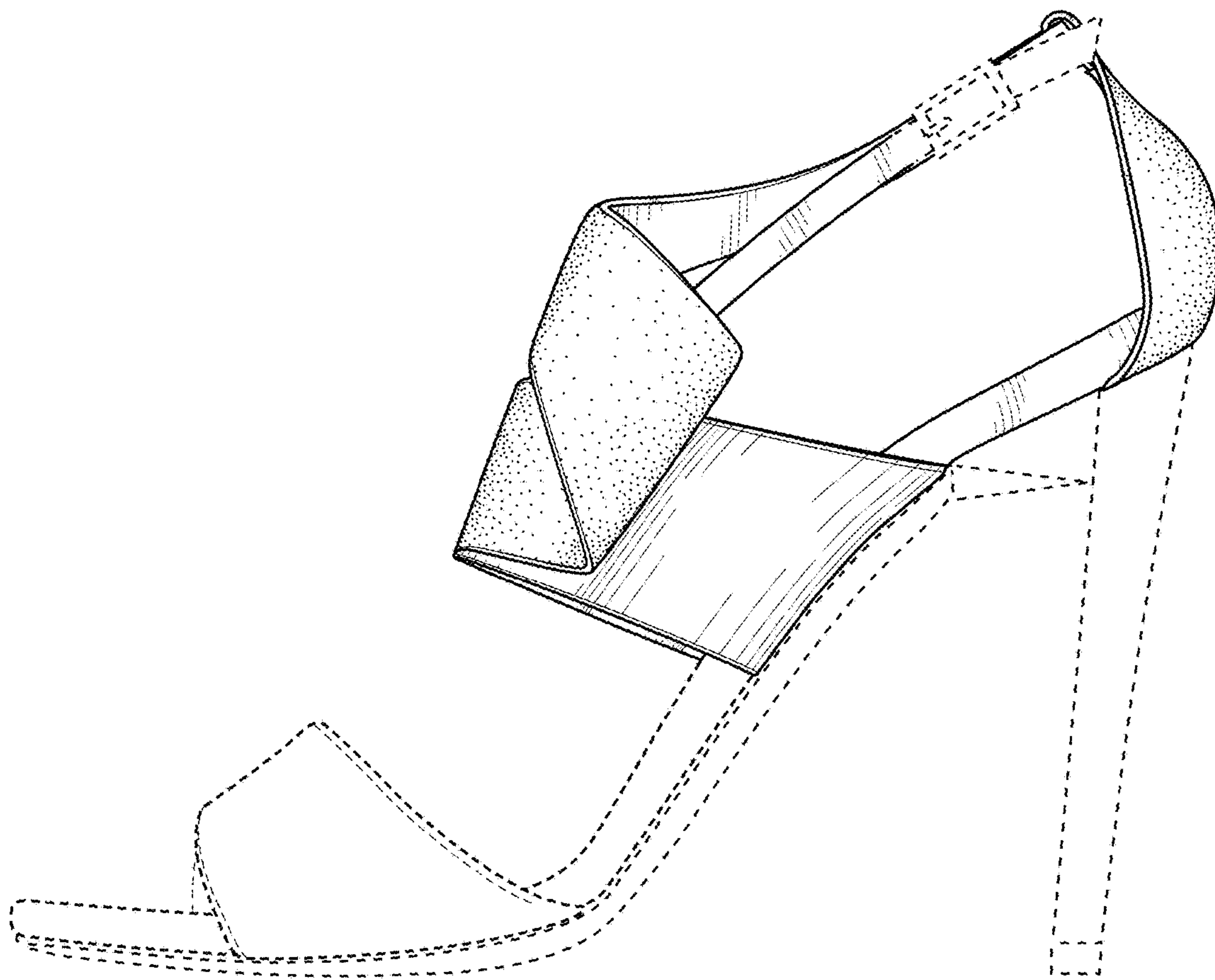


FIG. 2

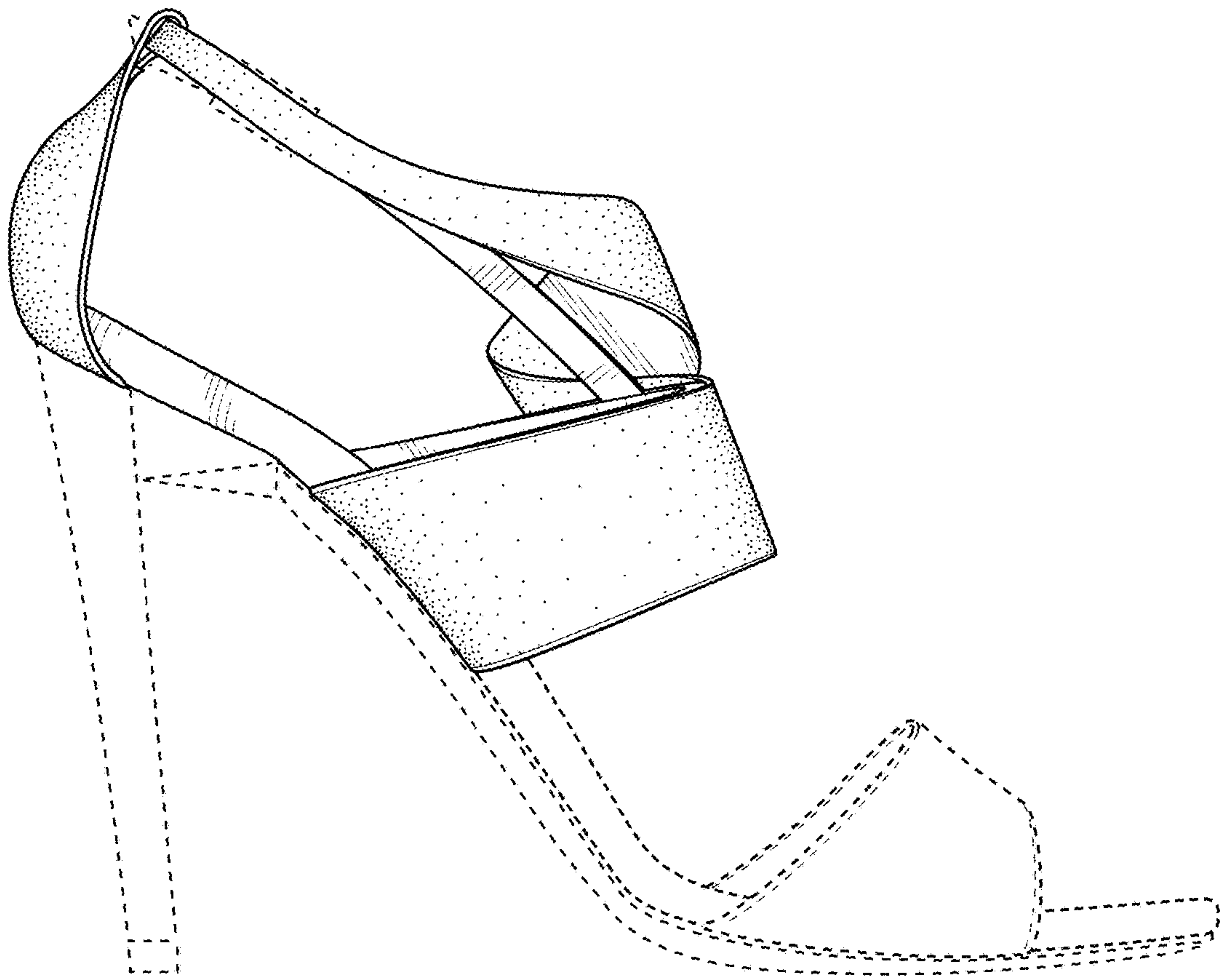


FIG. 3

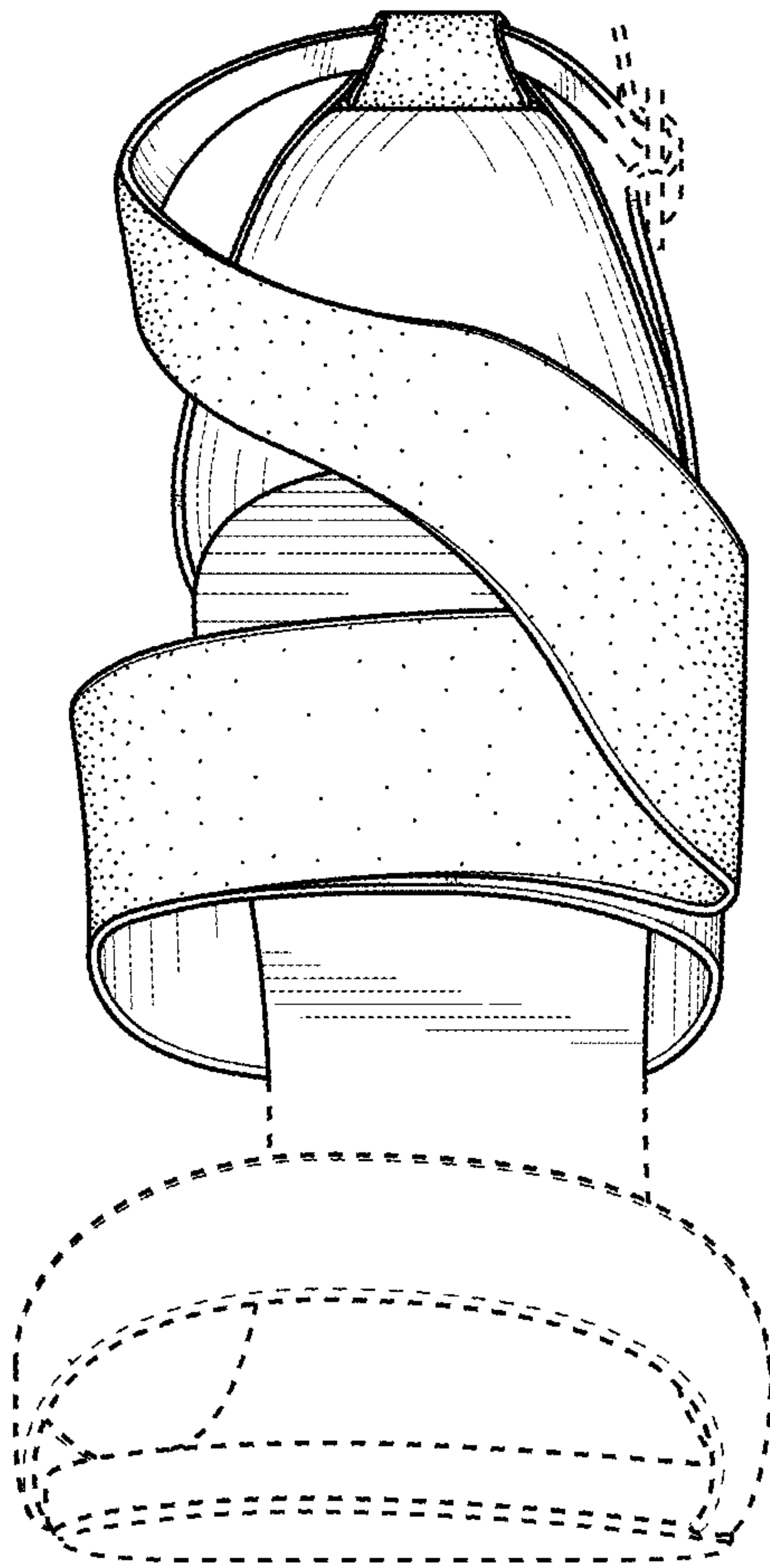


FIG. 4

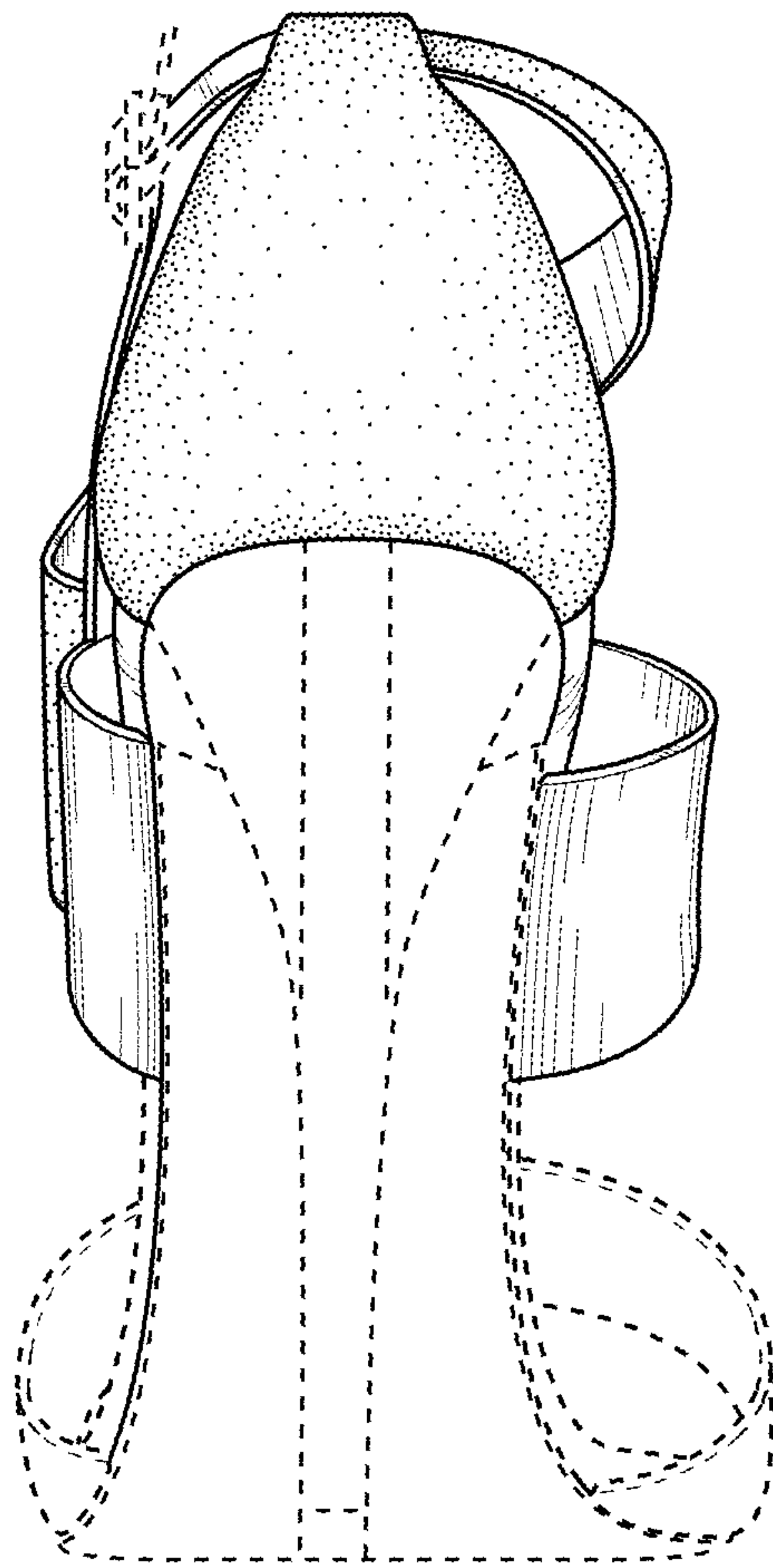


FIG. 5

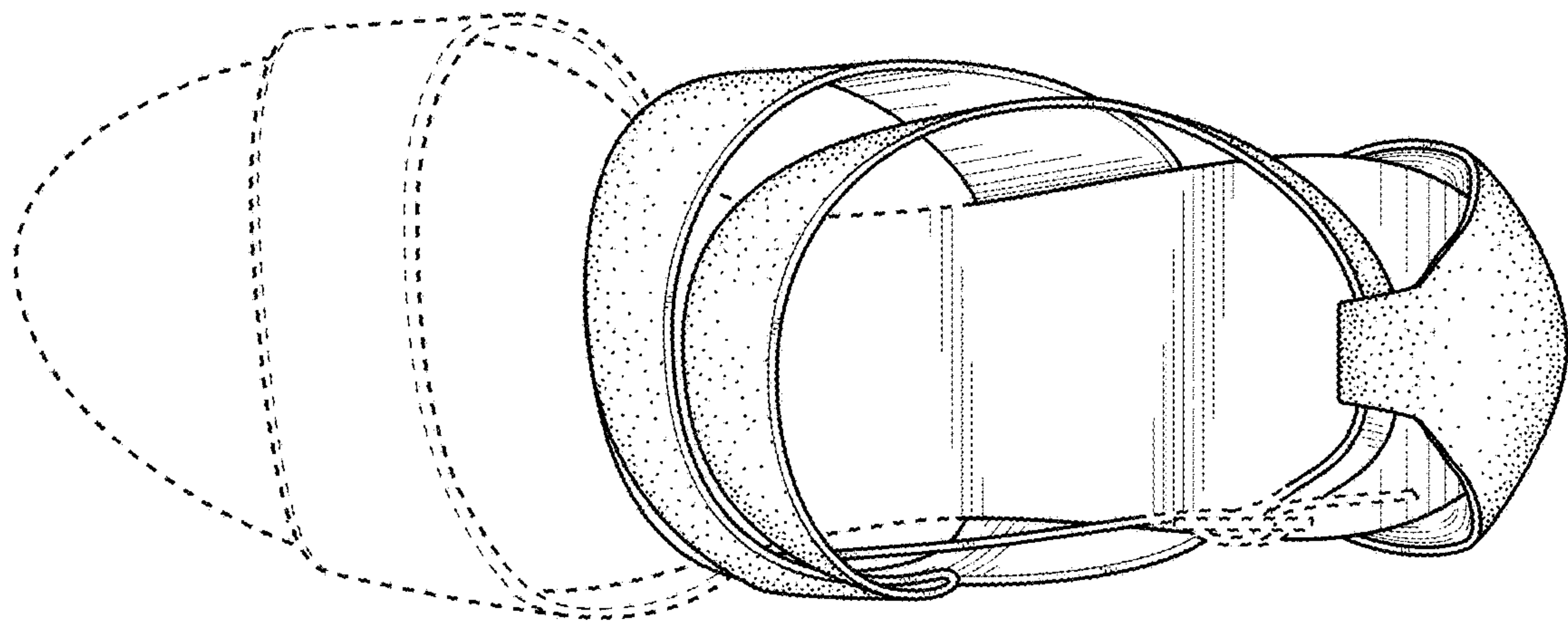


FIG. 6

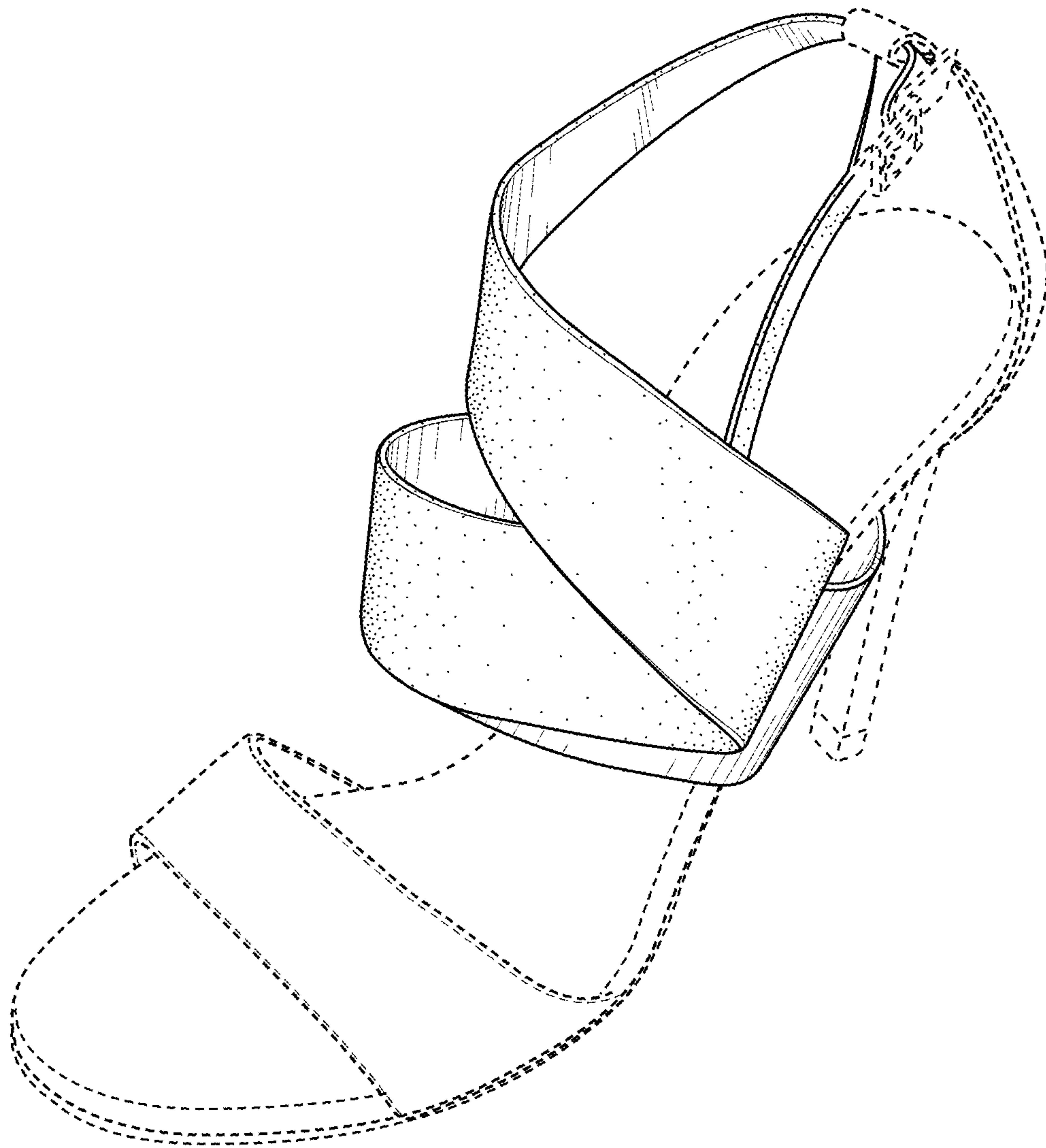


FIG. 7

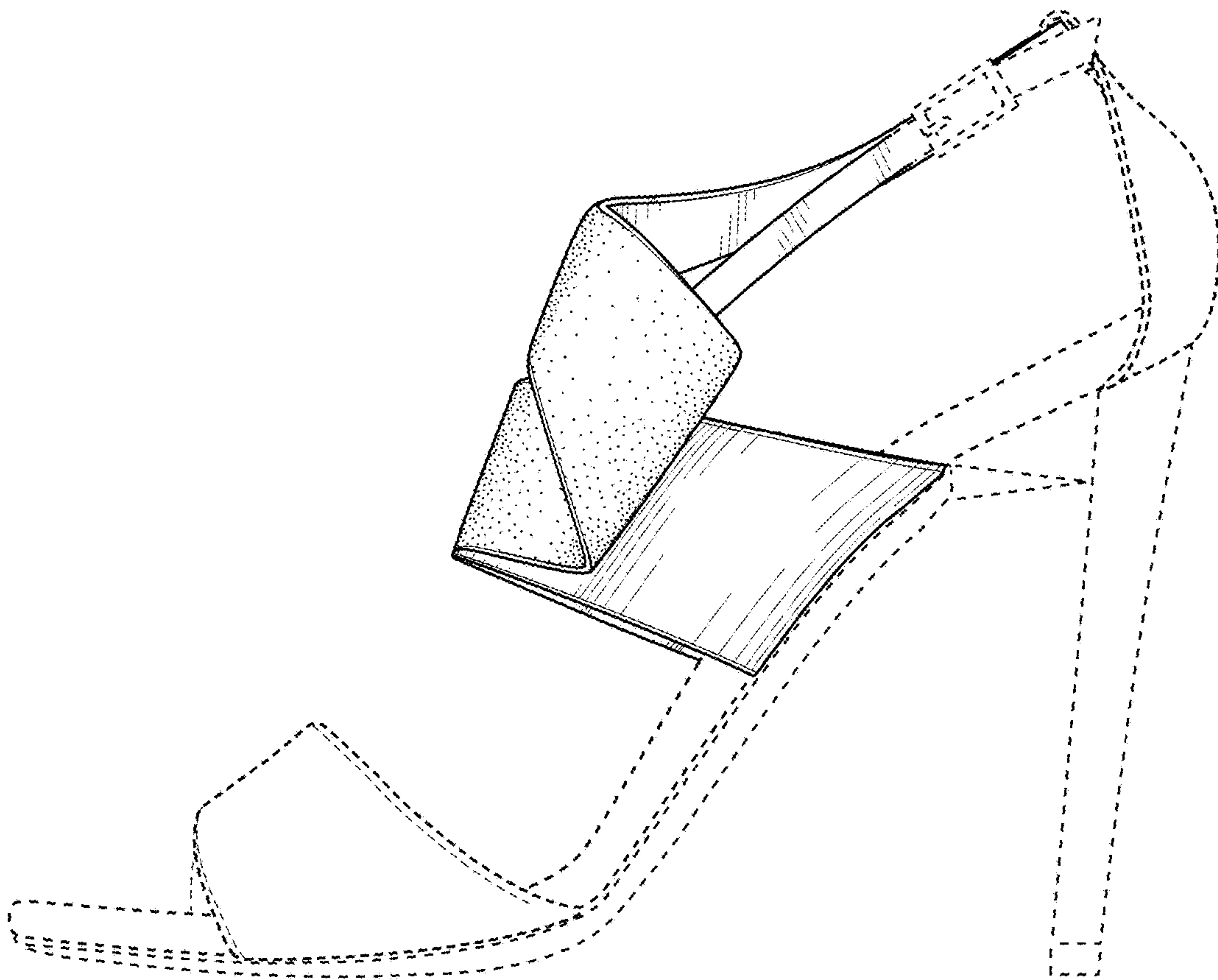


FIG. 8

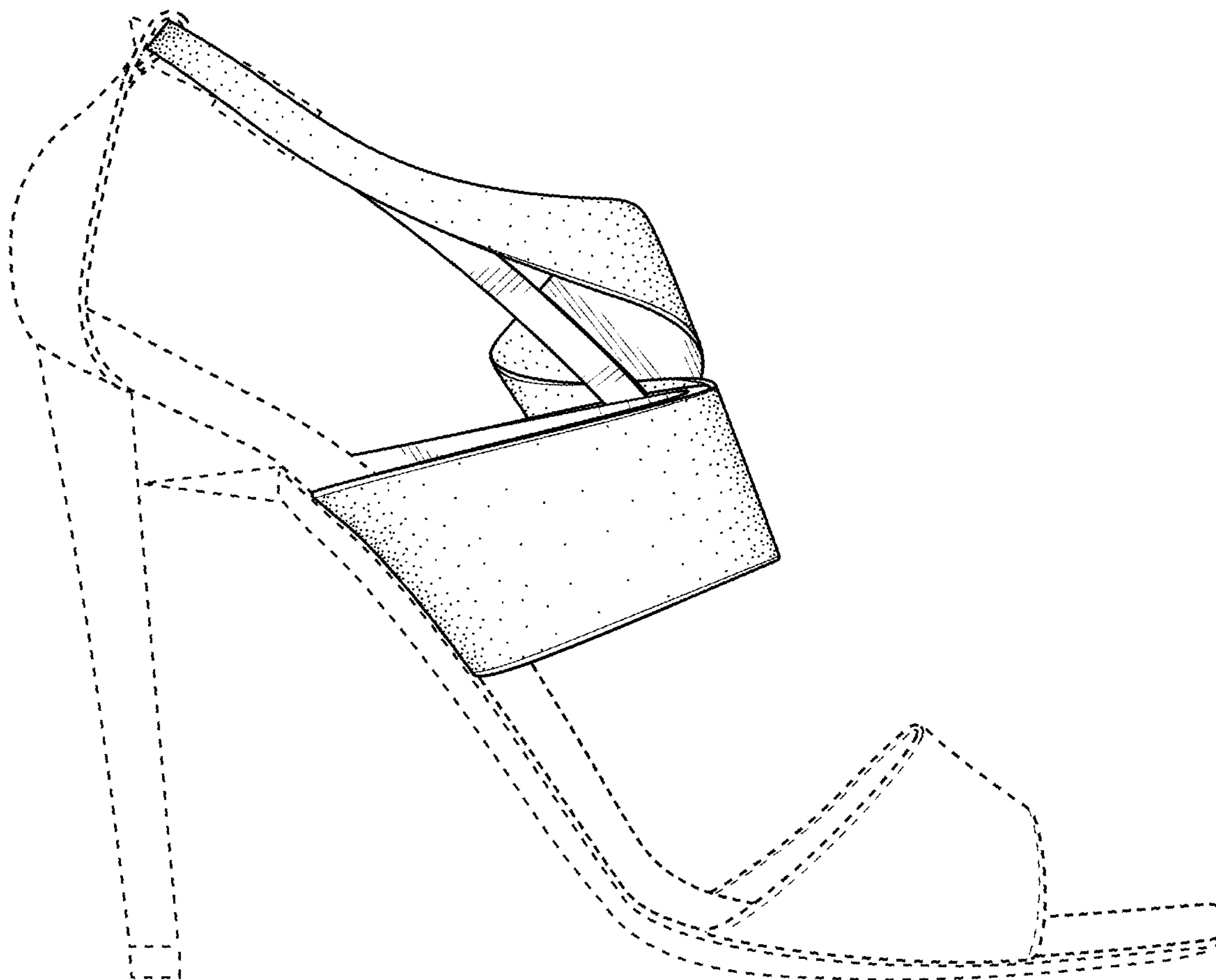


FIG. 9

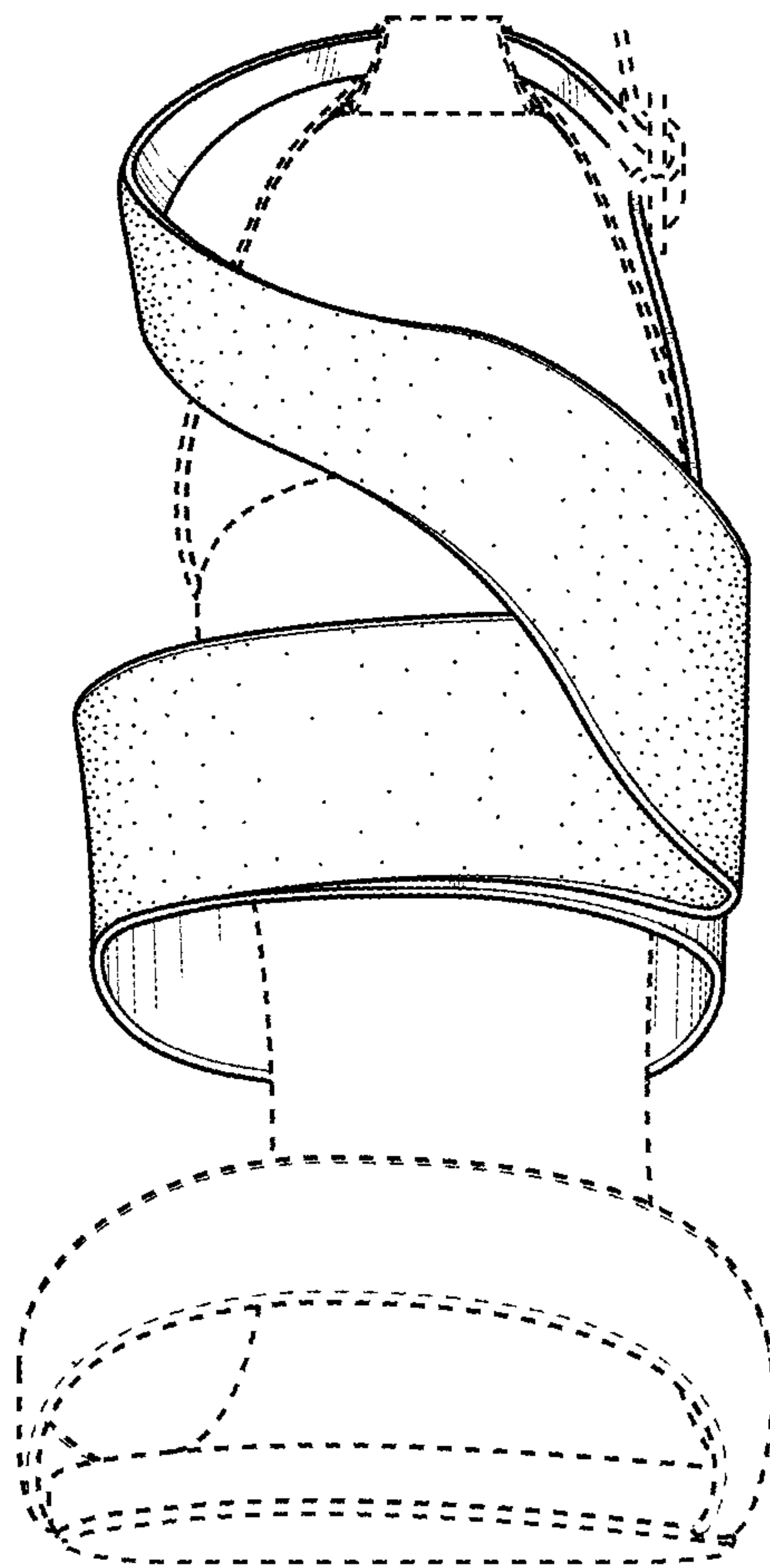


FIG. 10

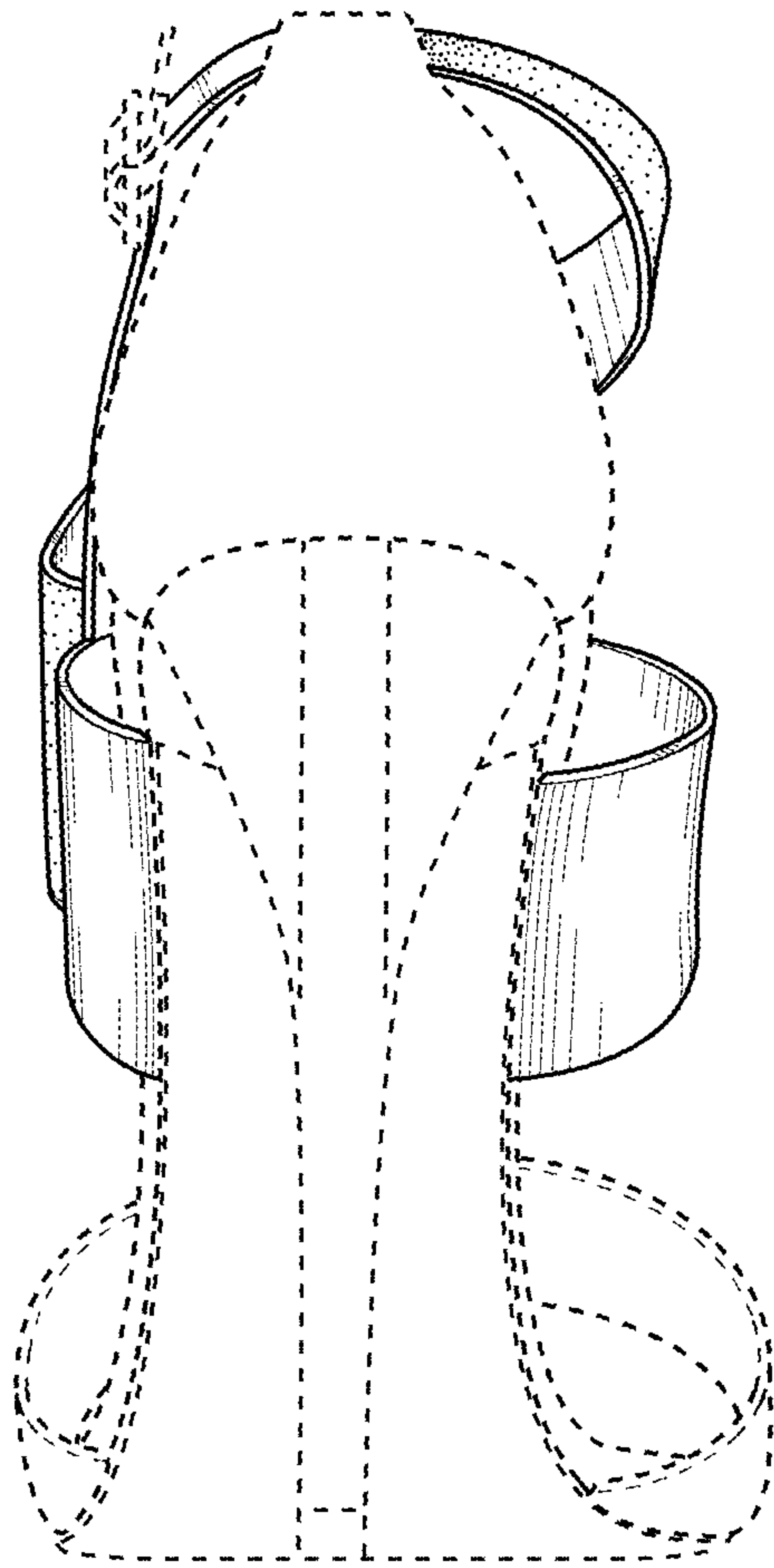


FIG. 11

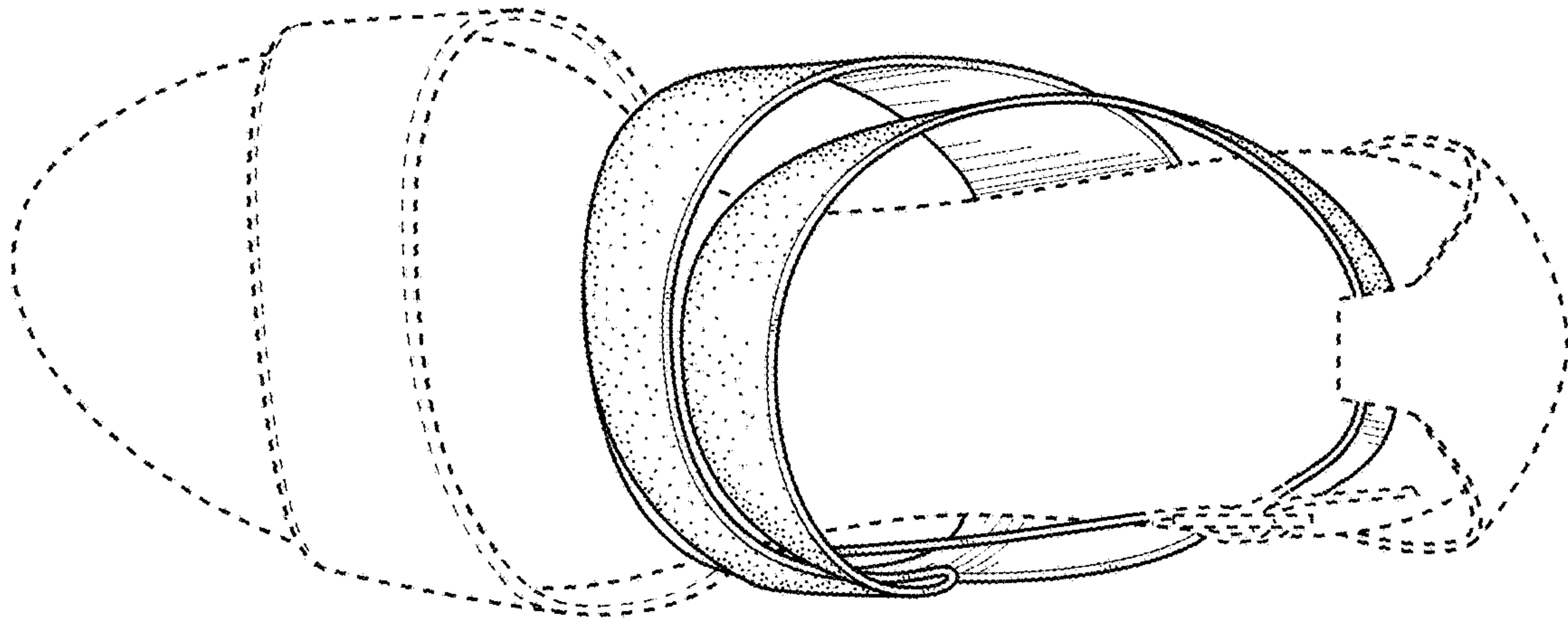


FIG. 12