



US00D793045S

(12) **United States Design Patent** (10) **Patent No.:** **US D793,045 S**  
**Desphy** (45) **Date of Patent:** **\*\* Aug. 1, 2017**

(54) **SHOE UPPER**  
(71) Applicant: **NIKE, Inc.**, Beaverton, OR (US)  
(72) Inventor: **Jupiter Desphy**, Beaverton, OR (US)  
(73) Assignee: **NIKE, Inc.**, Beaverton, OR (US)  
(\*\*) Term: **15 Years**  
(21) Appl. No.: **29/550,238**  
(22) Filed: **Dec. 31, 2015**  
(51) **LOC (10) Cl.** ..... **02-04**  
(52) **U.S. Cl.**  
USPC ..... **D2/946; D2/972**  
(58) **Field of Classification Search**  
USPC ..... D2/902, 906–907, 909–912, 916–918,  
D2/925–942, 943–946, 957–960, 964,  
D2/969, 970–974; D5/47, 54, 63  
CPC ... A43B 3/0047; A43B 3/0052; A43B 3/0057;  
A43B 3/0063; A43B 3/0068; A43B  
3/0073; A43B 1/04; A43B 1/06; A43B  
1/0036; A43B 1/0045; A43B 5/00; A43B  
5/02; A43B 5/06; A43B 5/10; A43B 5/12;  
A43B 5/14; A43B 23/02; A43B 23/06;  
A43B 23/07; A43B 23/45; A43B 13/10;  
A43B 13/12; A43B 13/125; A43B  
13/186; A43B 21/00; A43B 21/02; A43B  
21/06; A43B 9/14; A43C 3/00; A43C  
7/06  
See application file for complete search history.

5,974,591 A \* 11/1999 Leslie ..... A62B 17/001  
2/227  
D447,319 S \* 9/2001 Yang ..... D2/897  
D466,683 S \* 12/2002 Chen ..... D2/907  
D489,516 S \* 5/2004 Gebhardt ..... D2/898  
D533,985 S \* 12/2006 Belley ..... D2/969  
D579,186 S \* 10/2008 Mervar ..... D2/969  
D628,776 S \* 12/2010 Cofinco ..... D2/908  
D634,540 S \* 3/2011 Lion ..... D3/226  
D637,385 S \* 5/2011 Spring ..... D2/911  
D638,213 S \* 5/2011 Funck ..... D2/910  
D654,668 S \* 2/2012 Van Zyll De Jong ..... D2/900  
(Continued)

**OTHER PUBLICATIONS**

Here Are the Official Images of the Riccardo Tisci x NikeLab Dunk Lux High, Nike Dunk Lux High pictured therein, as posted at Complex.com [online], posted on Feb. 4, 2016 [site visited Feb. 27, 2017]. Available on the Internet, <URL: <http://www.complex.com/sneakers/2016/02/riccardo-tisci-nikelab-dunk-lux-high>>.\*  
(Continued)

*Primary Examiner* — Jeffrey D Asch  
*Assistant Examiner* — Rebekah A Caruso  
(74) *Attorney, Agent, or Firm* — Banner & Witcoff, Ltd.

(57) **CLAIM**

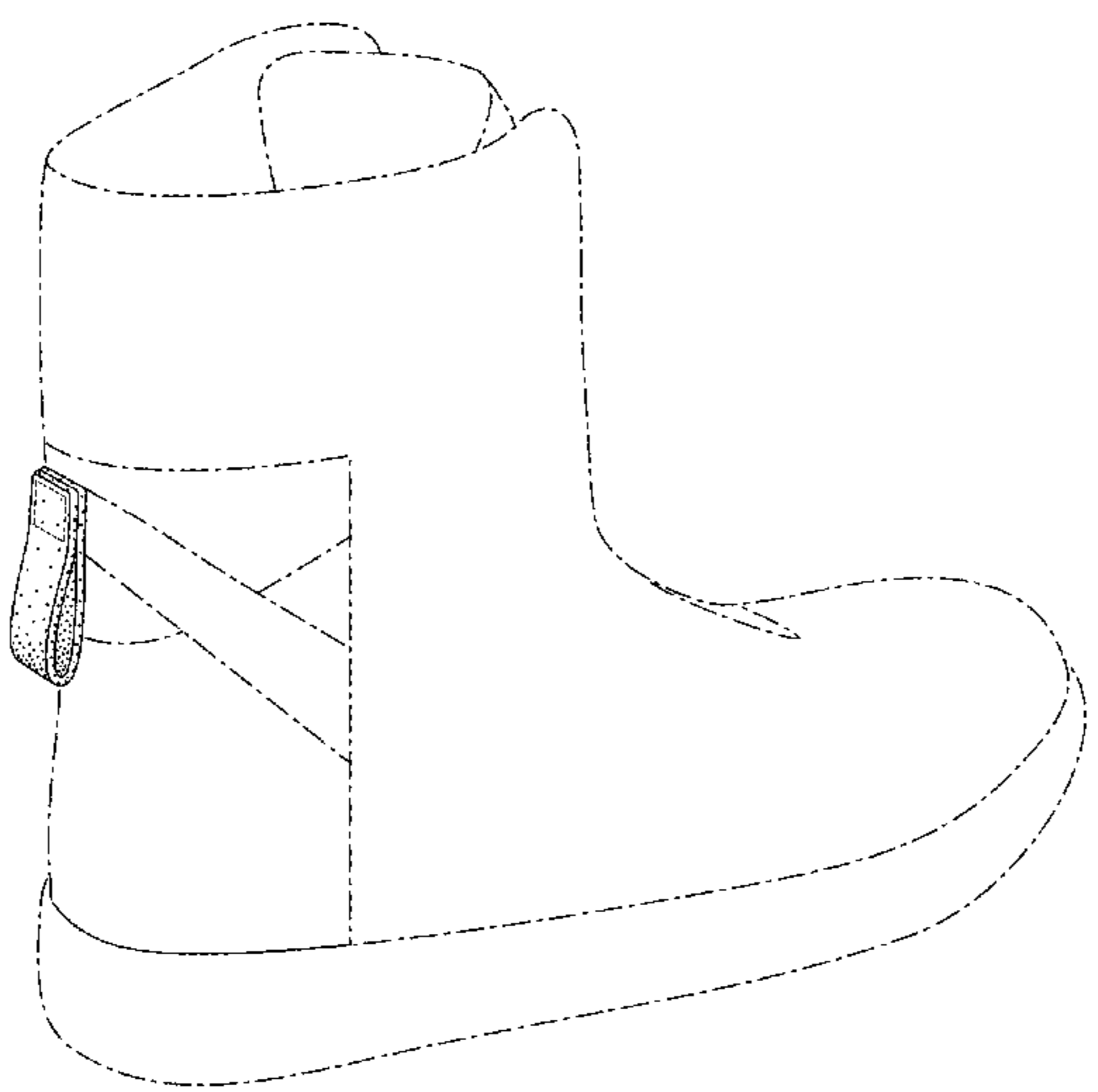
The ornamental design for a shoe upper, as shown and described.

**DESCRIPTION**

FIG. 1 is a first rear perspective view of a shoe upper showing my new design;  
FIG. 2 is a rear view thereof; and,  
FIG. 3 is a second rear perspective view thereof.  
The even-length broken line showing in a rectangular shape represents stitching. The broken lines showing the remainder of the shoe are for environmental purposes only and form no part of the claimed design.

**1 Claim, 3 Drawing Sheets**

(56) **References Cited**  
U.S. PATENT DOCUMENTS  
D178,902 S \* 10/1956 Reiman ..... D24/190  
D199,558 S \* 11/1964 Cohn ..... D2/912  
D379,031 S \* 5/1997 Hatfield ..... D2/969  
D382,106 S \* 8/1997 Hillestad ..... D3/215  
D382,992 S \* 9/1997 Chiu ..... D2/912  
D385,991 S \* 11/1997 Brooks ..... D2/909  
5,868,594 A \* 2/1999 Vukelic ..... B63B 35/812  
441/70



(56)

**References Cited**

## U.S. PATENT DOCUMENTS

D672,944 S \* 12/2012 Gavitt ..... D2/910  
D677,871 S \* 3/2013 Portzline ..... D2/911  
D686,815 S \* 7/2013 Lam ..... D2/912  
D701,377 S \* 3/2014 Spring ..... D2/912  
D704,426 S \* 5/2014 Dillenbeck ..... D2/970  
D737,041 S \* 8/2015 Raasch ..... D2/972  
D743,152 S \* 11/2015 Toliver ..... D2/944  
D766,564 S \* 9/2016 Radabaugh ..... D2/970  
D768,974 S \* 10/2016 MacIntyre ..... D2/970  
D769,586 S \* 10/2016 Buscemi ..... D2/902  
D769,599 S \* 10/2016 White ..... D2/911

## OTHER PUBLICATIONS

NikeLab Dunk Lux High, as posted at SneakerNew.com [online], posted on Feb. 6, 2016 [site visited Feb. 27, 2017]. Available on the Internet, <URL: <http://sneakernews.com/2015/02/06/nikelab-dunk-lux-high/>>.\*

Nike Dunk Sky Hi White-Cool grey, as posted at SneakerNews.com, posted on Dec. 14, 2013 [site visited Feb. 25, 2017]. Available on the Internet, <URL: <http://sneakernews.com/2013/12/14/nike-dunk-sky-hi-white-cool-grey/>>.\*

Nike X Undercover Dunk Sky Hi Collection [online], [retrieved Nov. 3, 2016], Retrieved from Internet <URL: <http://news.nike.com/news/nike-x-undercover-dunk-sky-hi-collection/>>; 13 color sheets, Dated Oct. 20, 2014.

Nike Dunk High Coffin Halloween Heat Continues [online], [retrieved Nov. 3, 2016], Retrieved from Internet <URL: <http://www.nikeblog.com/2015/10/28/nike-dunk-high-coffin-halloween-heat-continues/>>; 3 color sheets, Dated Oct. 28, 2015.

\* cited by examiner

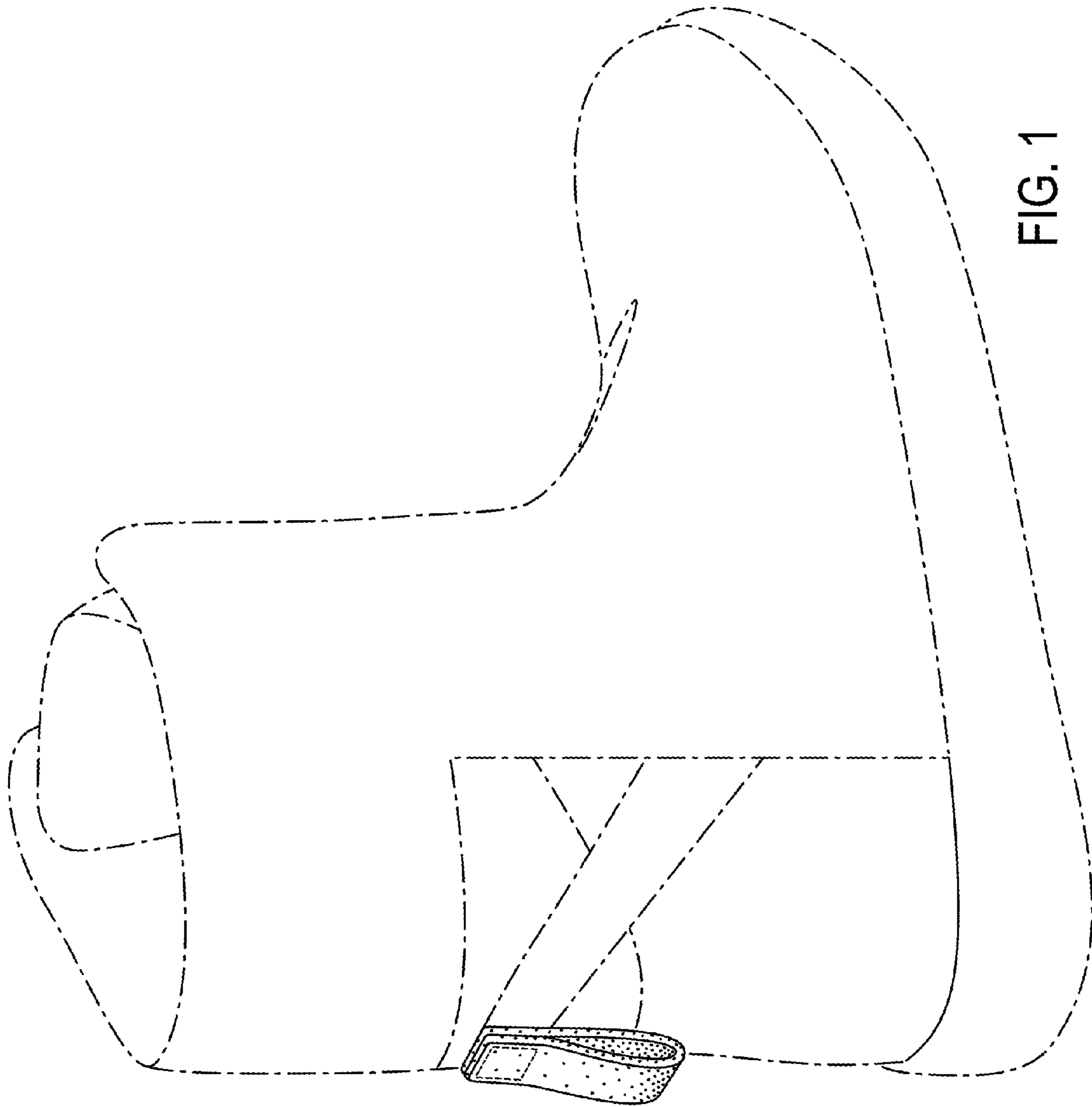


FIG. 1

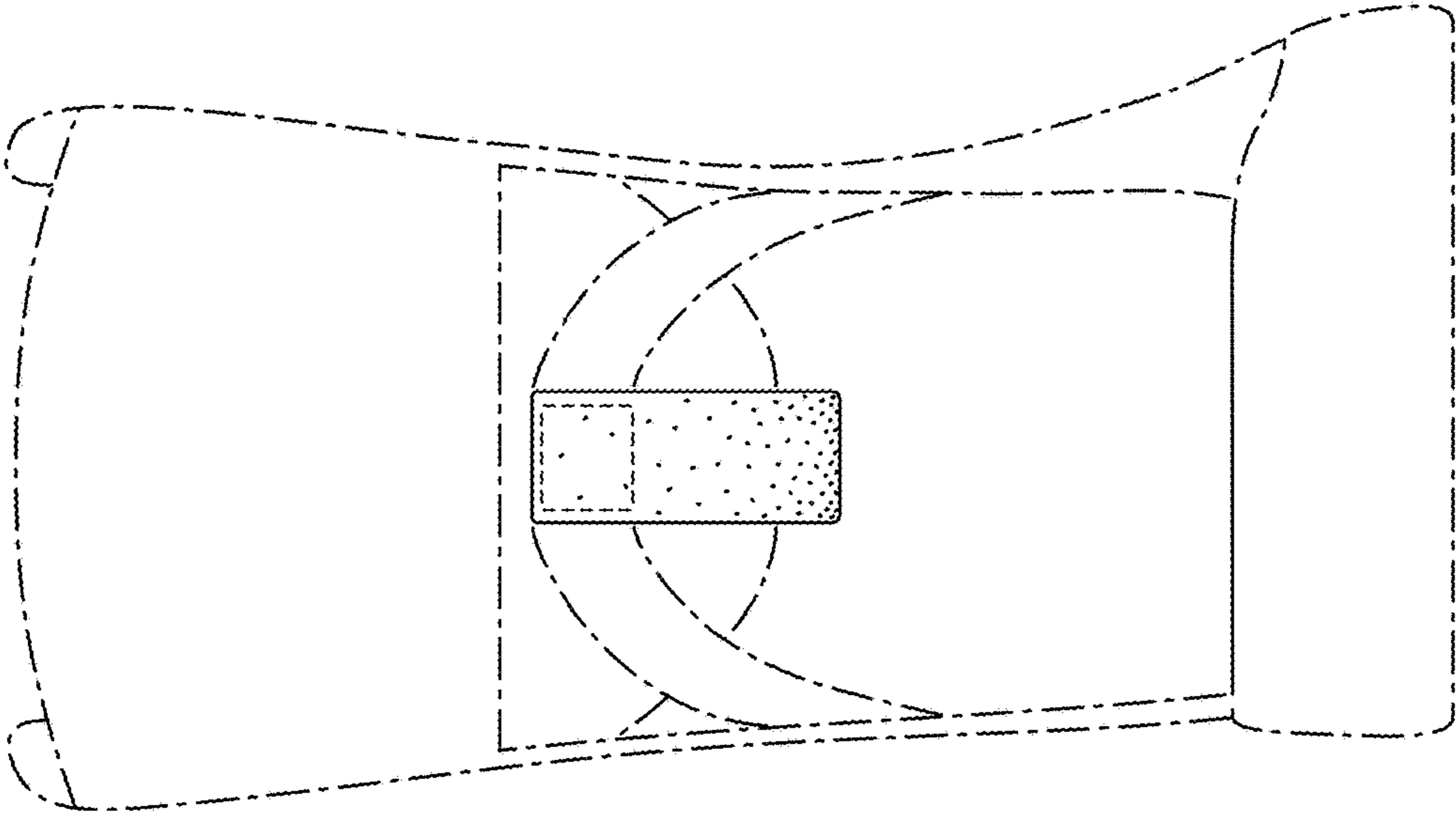


FIG. 2

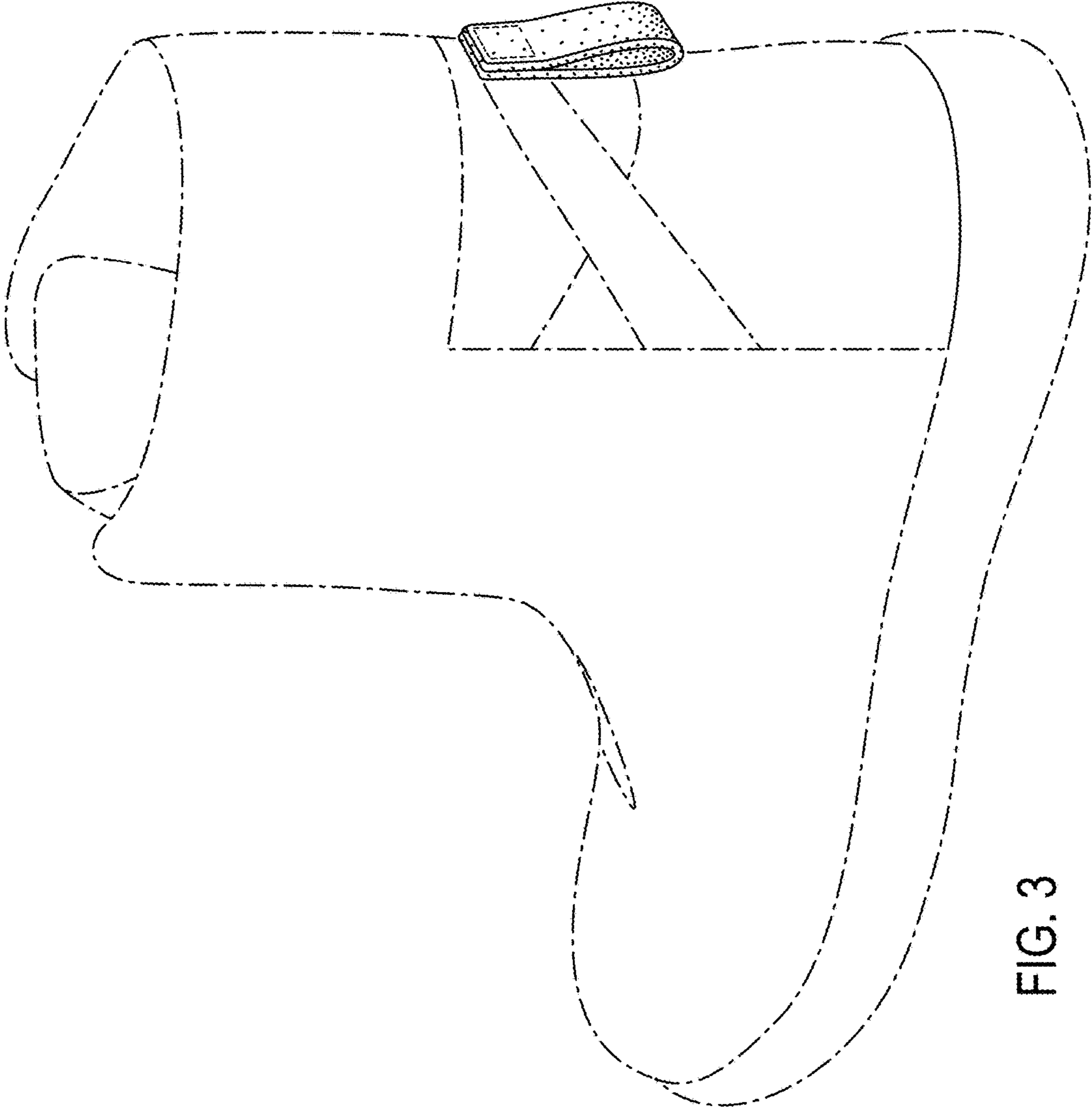


FIG. 3