



US00D793034S

(12) **United States Design Patent** (10) **Patent No.:** **US D793,034 S**
Holder (45) **Date of Patent:** **** Aug. 1, 2017**

(54) **HOOD**
(71) Applicant: **DKH Retail Limited**, Cheltenham (GB)
(72) Inventor: **James Holder**, Cheltenham (GB)
(73) Assignee: **DKH RETAIL LIMITED, A GREAT BRITAIN CORPORATION**, Cheltenham (GB)
(**) Term: **14 Years**
(21) Appl. No.: **29/508,042**
(22) Filed: **Nov. 3, 2014**
(51) **LOC (10) Cl.** **02-02**
(52) **U.S. Cl.**
USPC **D2/831**
(58) **Field of Classification Search**
USPC D2/719, 749, 750, 755, 828-831, 833, D2/839, 840, 847, 849, 858; 2/84, 87, 2/90, 93, 96, 97, 102, 106, 108, 115, 116, 2/125
CPC A41D 3/00; A41D 13/0012; A42B 1/048; A41F 5/00
See application file for complete search history.

(56) **References Cited**
U.S. PATENT DOCUMENTS
D384,189 S * 9/1997 Tobias D2/828
D402,787 S * 12/1998 Kerr D2/828
D588,783 S * 3/2009 Olstorn D2/828
D609,432 S * 2/2010 Jennings D2/720
D637,771 S * 5/2011 Gruber D30/145
D638,201 S * 5/2011 Gosse D2/831
8,250,671 B2 * 8/2012 Shadid A41D 13/0012
2/94

D704,924 S * 5/2014 Roberts D2/831
D746,550 S * 1/2016 Roberts D2/839
2004/0055069 A1 * 3/2004 Clarke Fayle A41D 3/00
2/93
2013/0042384 A1 * 2/2013 Mitchell A42B 1/048
2/84

* cited by examiner

Primary Examiner — Holly Baynham
Assistant Examiner — Rashida C Walshon
(74) *Attorney, Agent, or Firm* — Vedder Price P.C.

(57) **CLAIM**

The ornamental design of the hood, shown and described.

DESCRIPTION

FIG. 1 is a front view of a hood, according to one or more embodiments;
FIG. 2 is a front view of the hood of FIG. 1 shown in an environment on a jacket.
FIG. 3 is a front view of the hood of FIG. 1 shown in an environment on a jacket with an upper portion of a zipper of the jacket unzipped.
FIG. 4 is a rear view of the hood of FIG. 1 shown in an environment on a jacket.
FIG. 5 is a front view of the hood of FIG. 1 shown in an environment on a jacket with the zipper of the jacket fully unzipped.
FIG. 6 is a close-up front view of the hood of FIG. 1 shown in an environment on a jacket; and,
FIG. 7 is a close-up front view of the hood of FIG. 1 shown in an environment on a jacket with an upper portion of the zipper of the jacket unzipped.
The broken line showing of the jacket in FIGS. 1-7 is for the purpose of illustrating environmental structures and form no part of the claimed design.

1 Claim, 7 Drawing Sheets

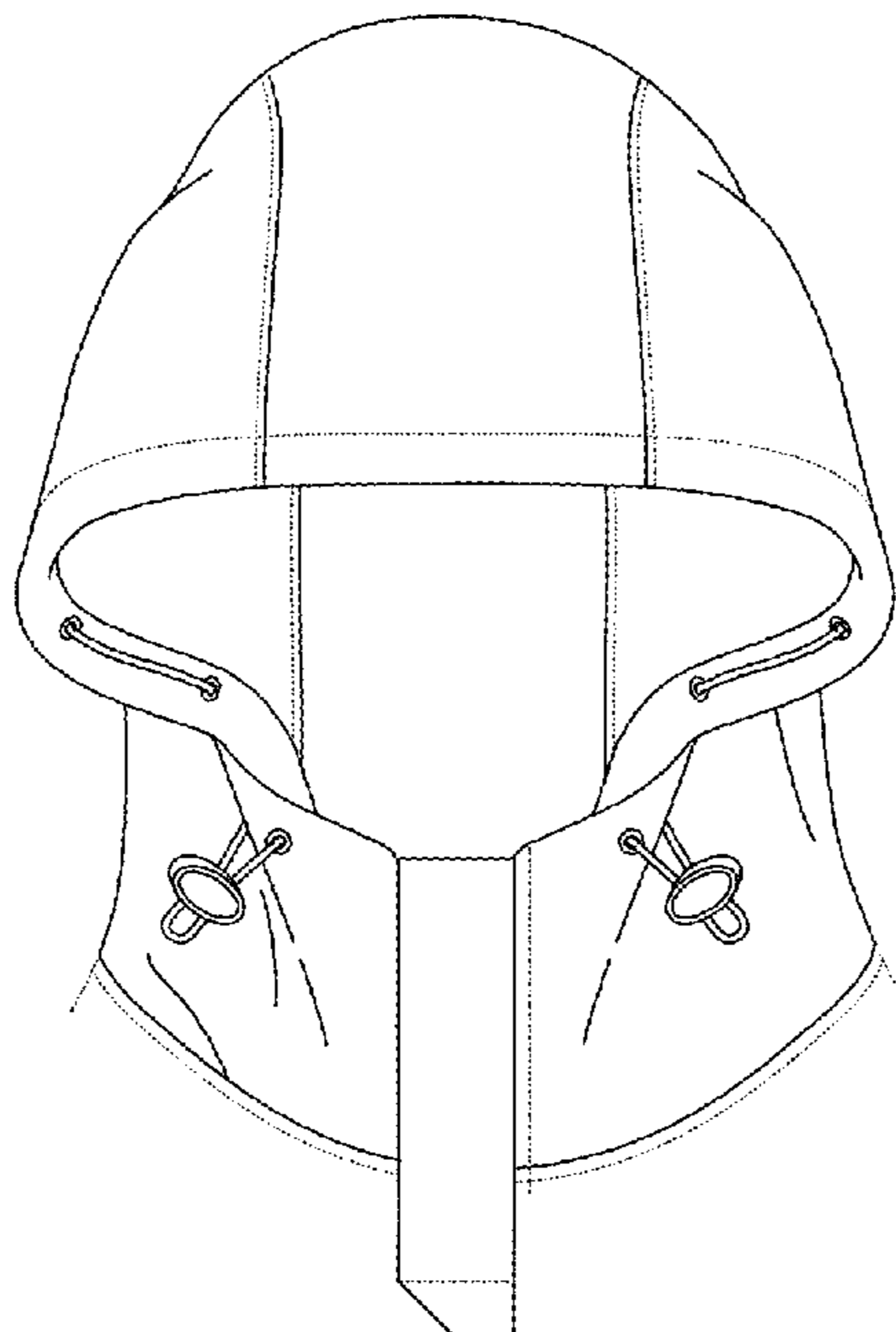


Fig. 1

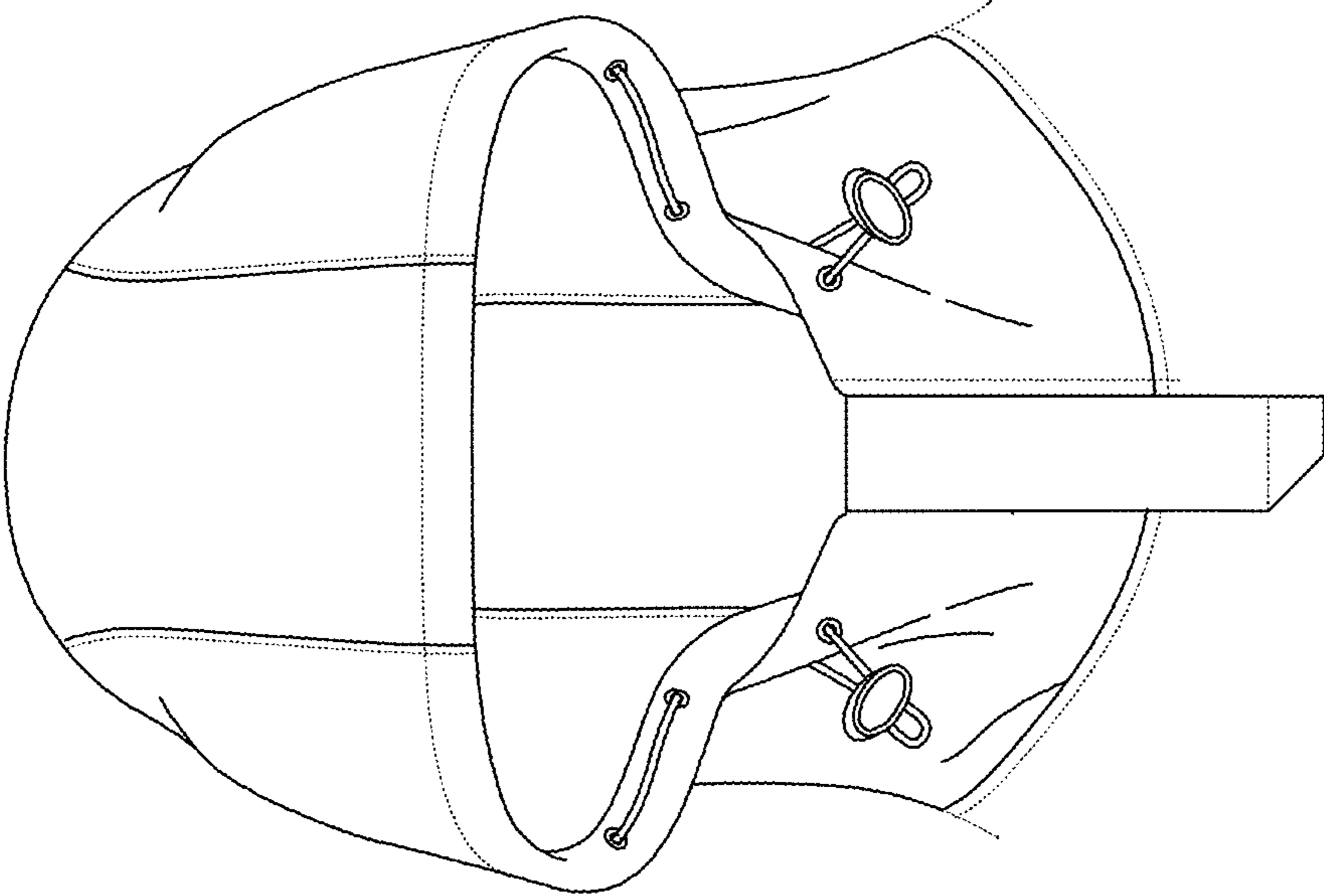


Fig. 2

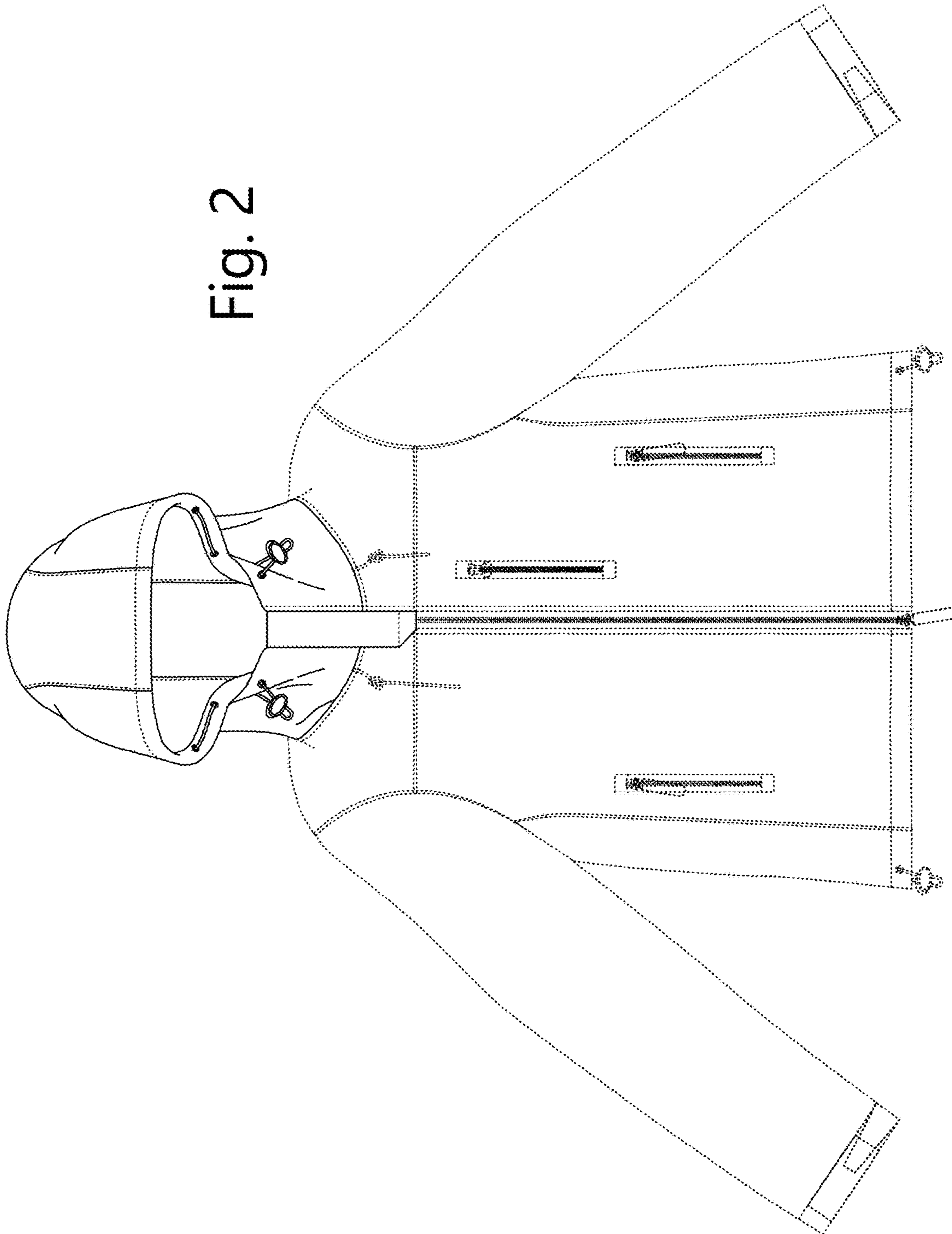


Fig. 3

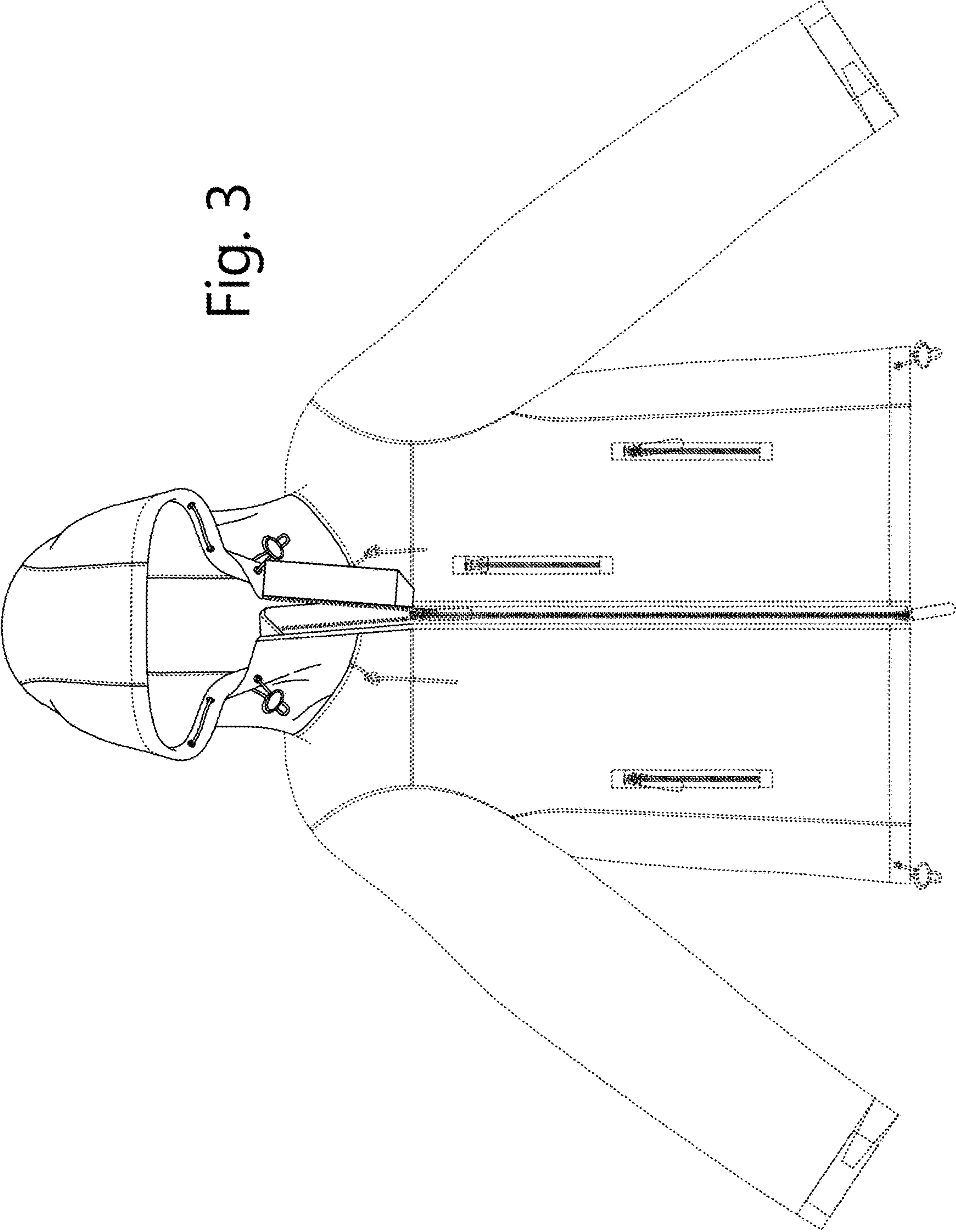


Fig. 4

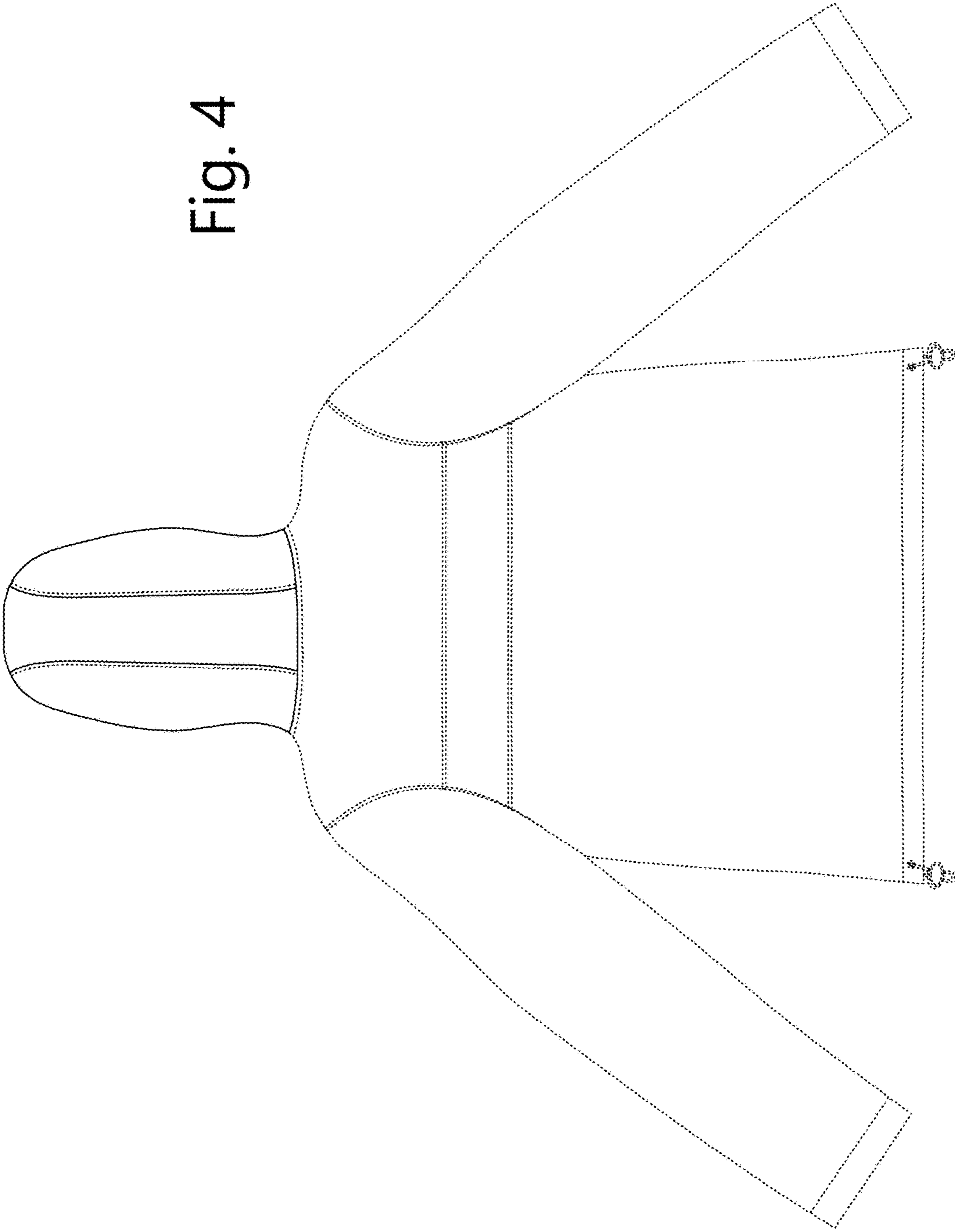


Fig. 5

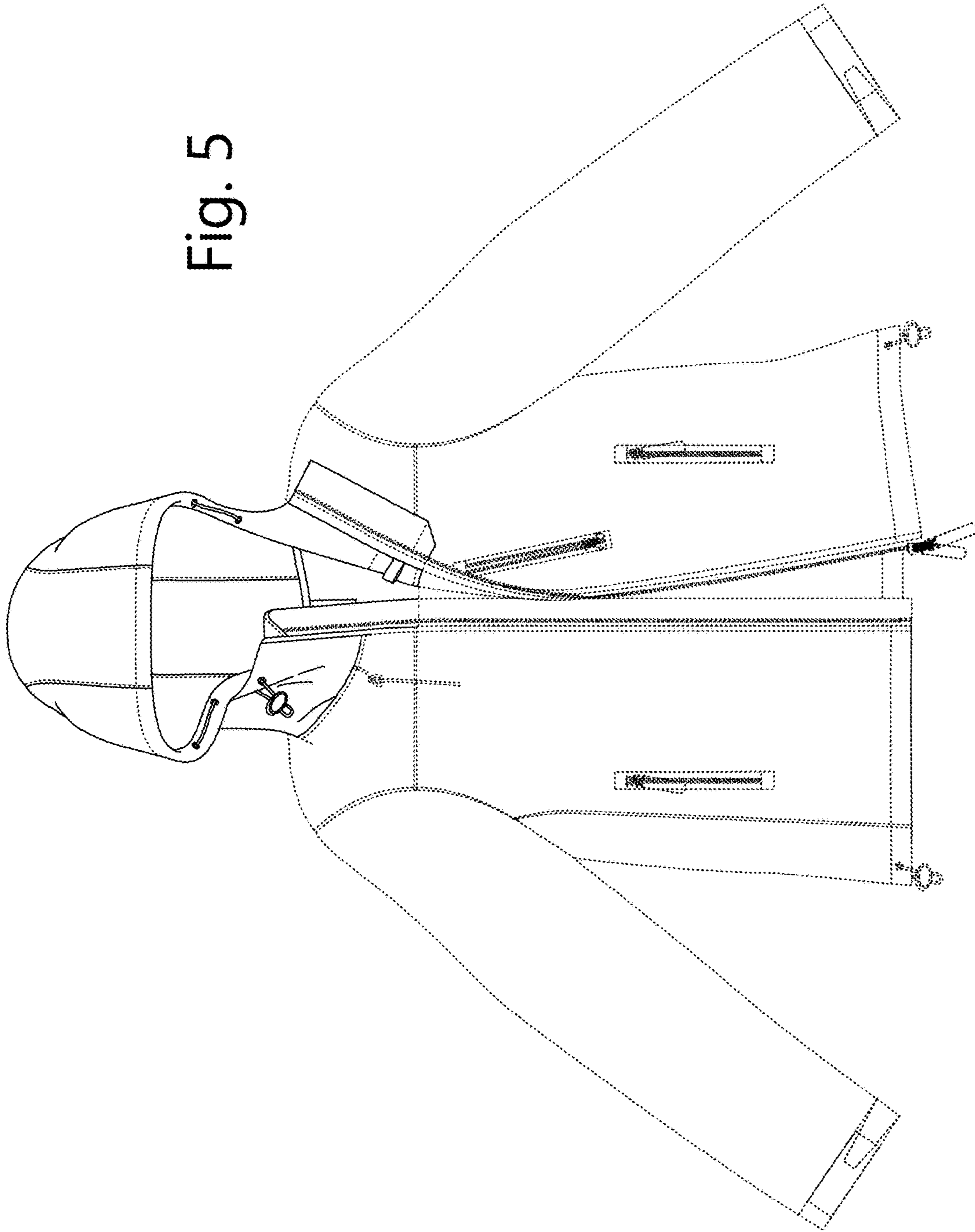


Fig. 6

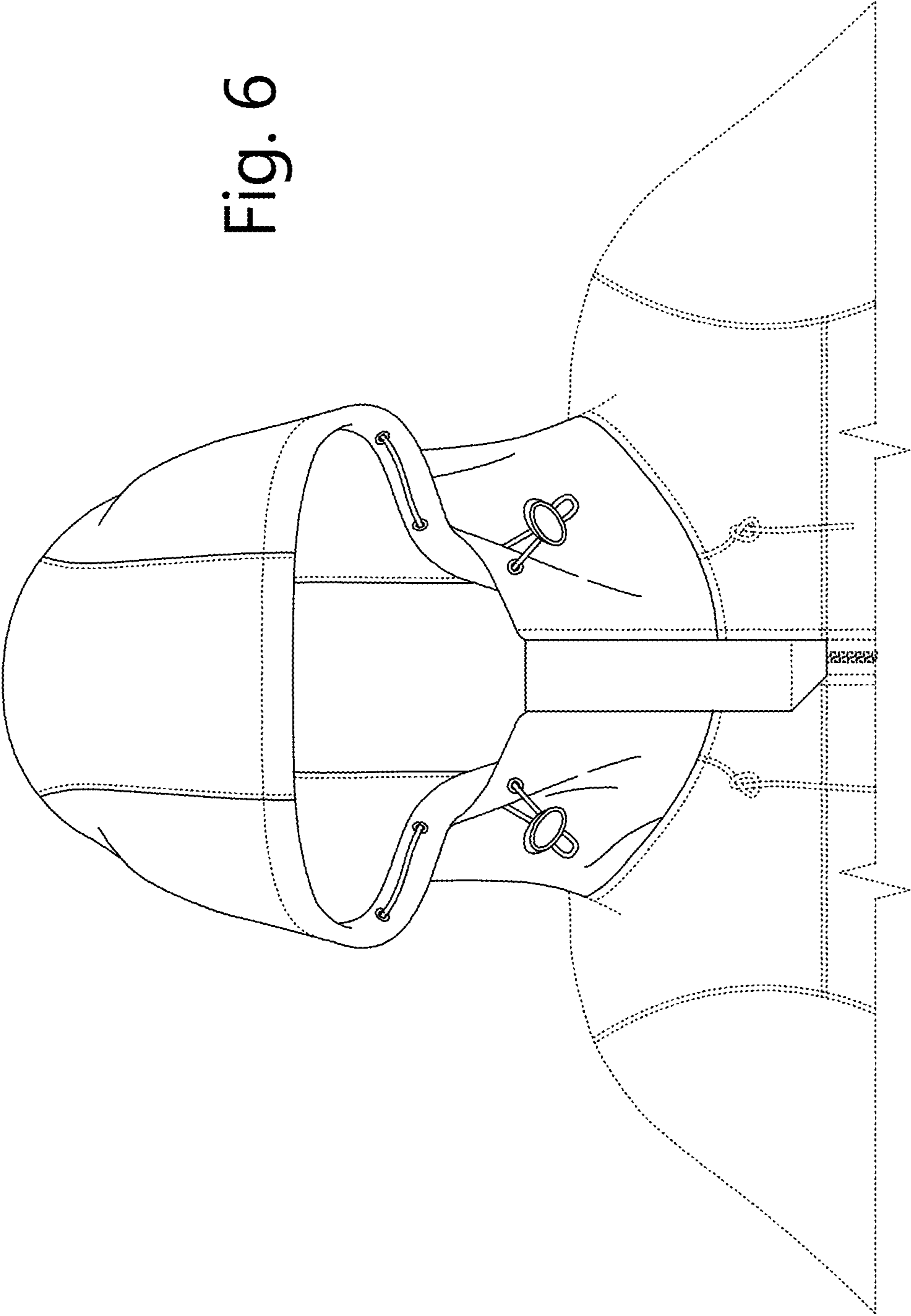


Fig. 7

