



US00D793026S

(12) **United States Design Patent**  
**Berman**

(10) **Patent No.:** **US D793,026 S**

(45) **Date of Patent:** **\*\* Aug. 1, 2017**

(54) **EDIBLE ICE CREAM CONE WITH DRIP GUTTER AND RETURN APERTURES**

(71) Applicant: **Len Berman**, Santa Barbara, CA (US)

(72) Inventor: **Len Berman**, Santa Barbara, CA (US)

(\*\*) Term: **15 Years**

(21) Appl. No.: **29/590,223**

(22) Filed: **Jan. 9, 2017**

**Related U.S. Application Data**

(62) Division of application No. 29/570,870, filed on Jul. 12, 2016, now Pat. No. Des. 779,775.

(51) **LOC (10) Cl.** ..... **01-01**

(52) **U.S. Cl.**  
USPC ..... **D1/118**

(58) **Field of Classification Search**  
USPC ..... D1/100-130, 199; 426/104, 115, 121, 426/129, 130, 144, 249, 274, 303, 414, 426/420; D21/386, 401, 722; D6/597; D7/507, 675, 400; 220/574; 29/428; D8/71; D24/122

CPC ..... A23G 9/503; A23G 9/48; A23G 9/282; A23G 9/285; A23G 3/2023; A23L 1/0067; A21D 2/36; A21D 13/0029

See application file for complete search history.

(56) **References Cited**

**U.S. PATENT DOCUMENTS**

1,938,113 A \* 12/1933 Schoenfeld ..... A23G 9/506  
426/139  
D113,736 S \* 3/1939 Franke ..... D1/118  
2,248,448 A \* 7/1941 Chester ..... A23G 9/506  
426/139

D157,047 S \* 1/1950 Heyman ..... D1/118  
2,948,452 A \* 8/1960 Grogan ..... A23G 9/503  
215/392  
4,136,800 A \* 1/1979 Christner ..... B65D 57/00  
221/1  
D307,660 S \* 5/1990 Kim ..... D1/118  
D370,331 S \* 6/1996 Haas ..... D1/118  
D372,792 S \* 8/1996 Haas ..... D1/118  
D414,590 S \* 10/1999 Cole ..... 426/139  
6,230,764 B1 \* 5/2001 Rodman ..... A23G 9/503  
141/86  
D452,761 S \* 1/2002 Swift ..... D1/105  
D499,227 S \* 12/2004 Chilles ..... D1/118

\* cited by examiner

*Primary Examiner* — Barbara Fox

*Assistant Examiner* — Katie Stofko

(74) *Attorney, Agent, or Firm* — Sandy Lipkin

(57) **CLAIM**

The ornamental design for an edible ice cream cone with drip gutter and return apertures, as shown and described.

**DESCRIPTION**

FIG. 1 is a perspective view of an edible ice cream cone with drip gutter and return apertures.

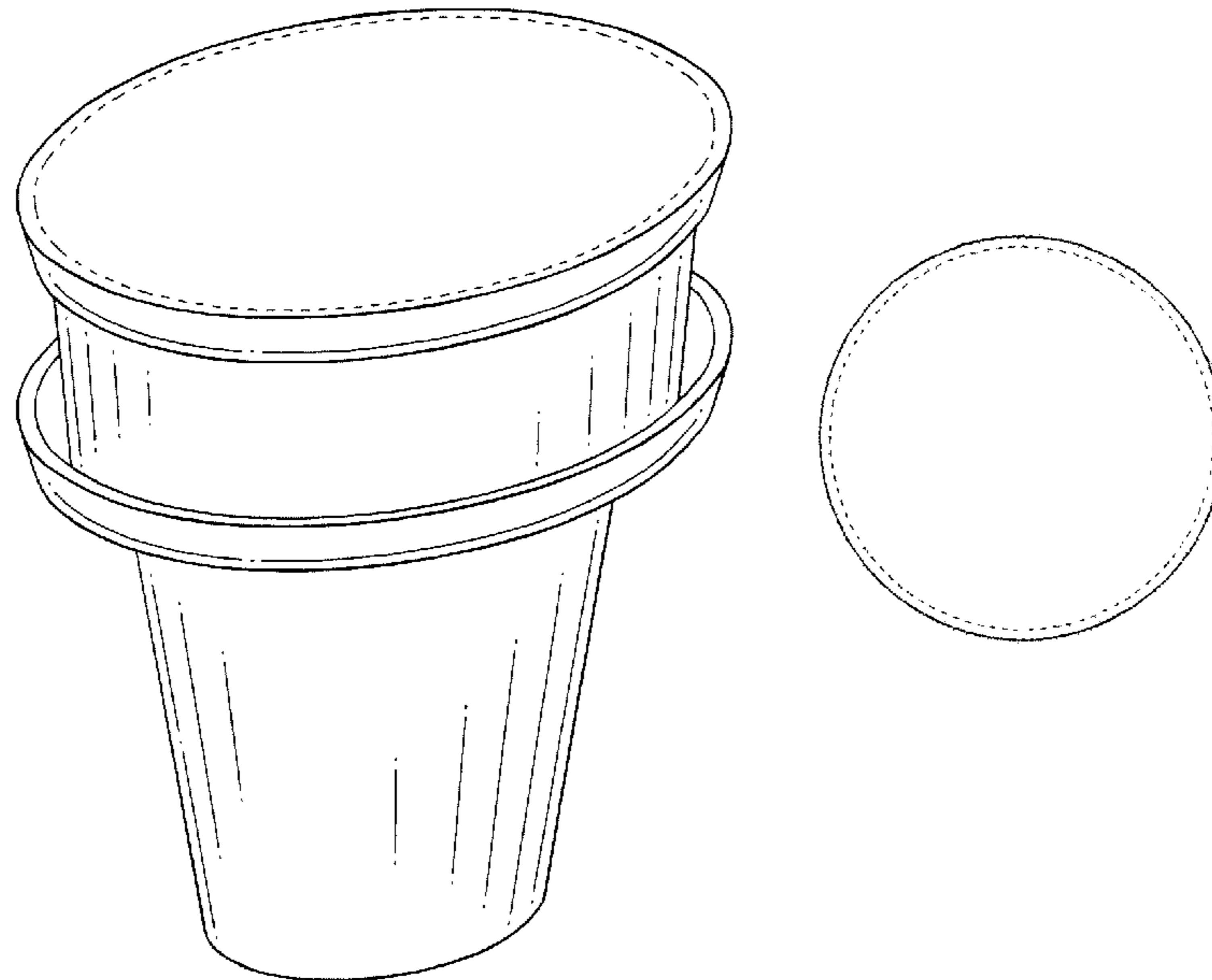
FIG. 2 is a top view of an edible ice cream cone with drip gutter and return apertures.

FIG. 3 is a bottom view of an edible ice cream cone with drip gutter and return apertures; and,

FIG. 4 is a side view of an edible ice cream cone with drip gutter and return apertures.

The broken lines in FIGS. 1 and 2 illustrate portions of the edible ice cream cone with drip gutter and return apertures that form no part of the claimed design.

**1 Claim, 2 Drawing Sheets**



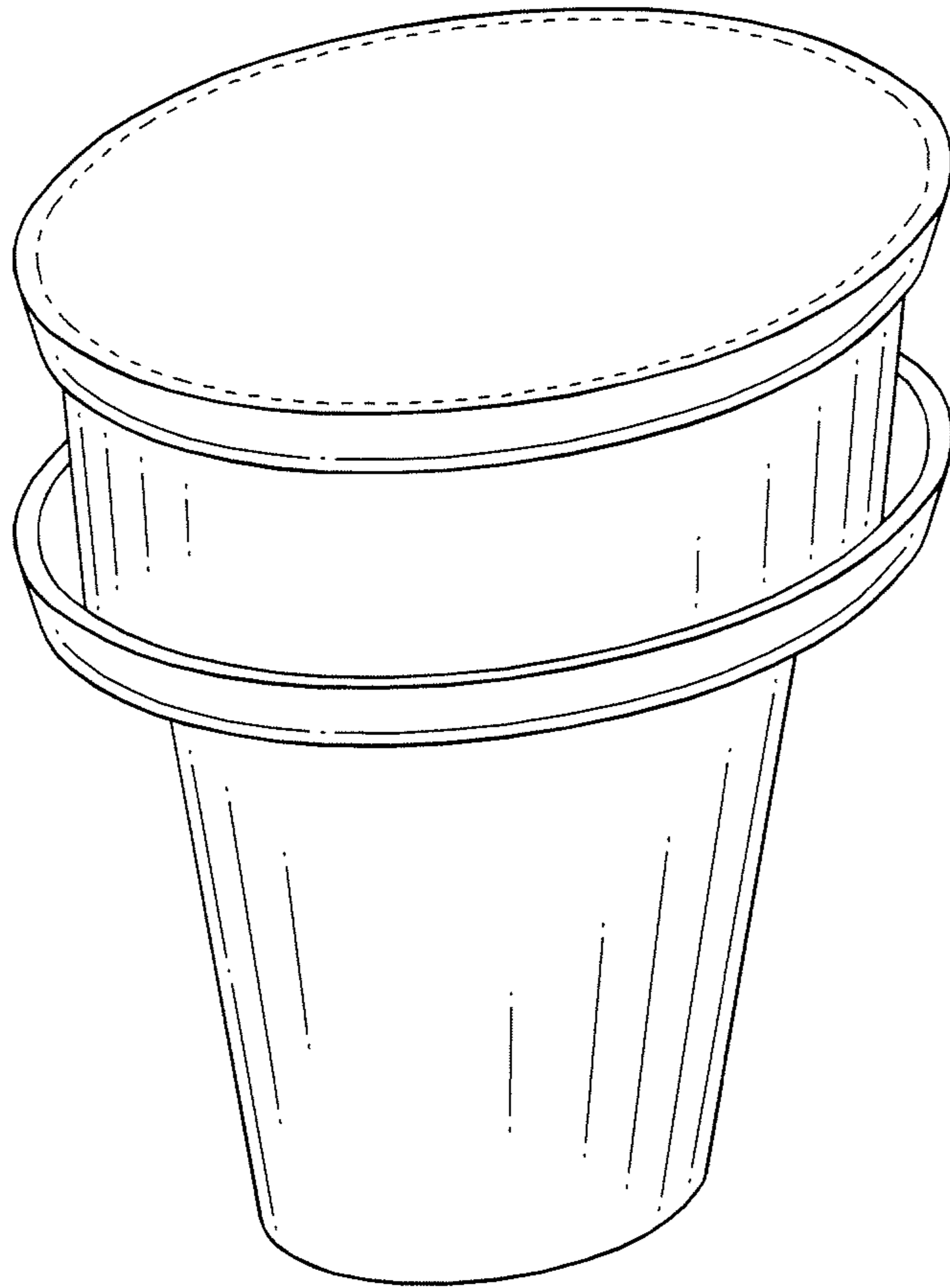


FIG. 1

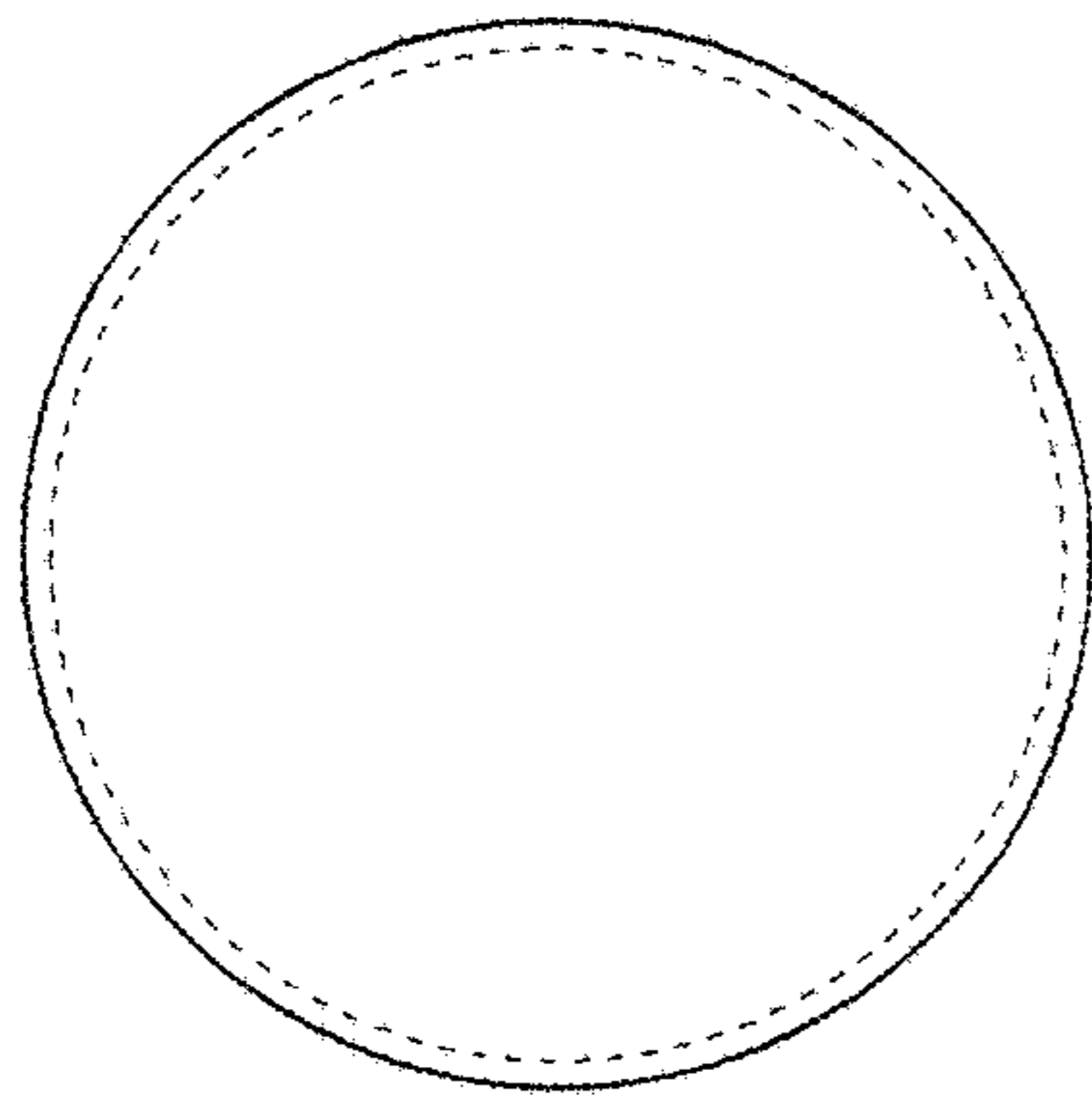


FIG. 2

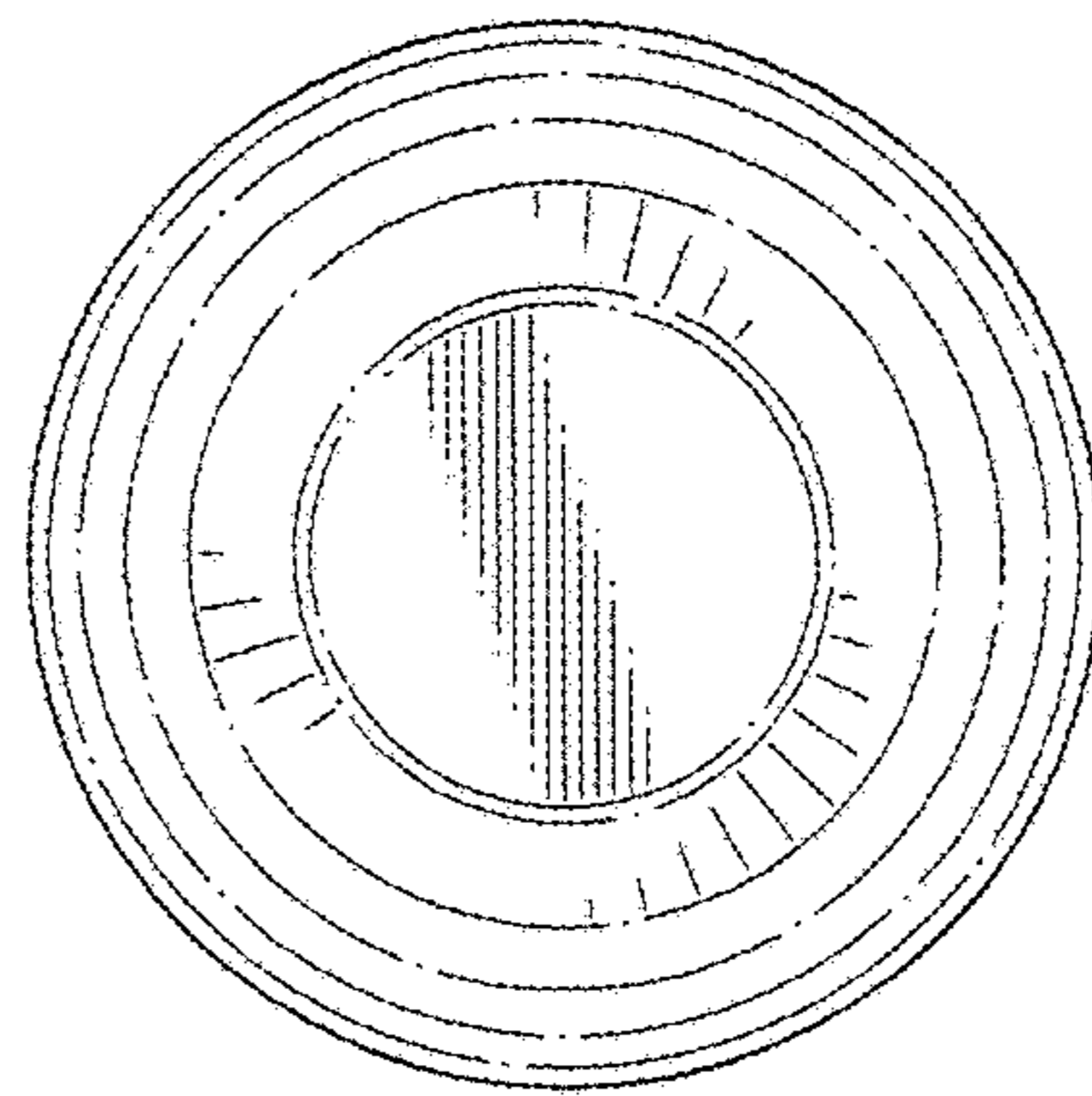


FIG. 3

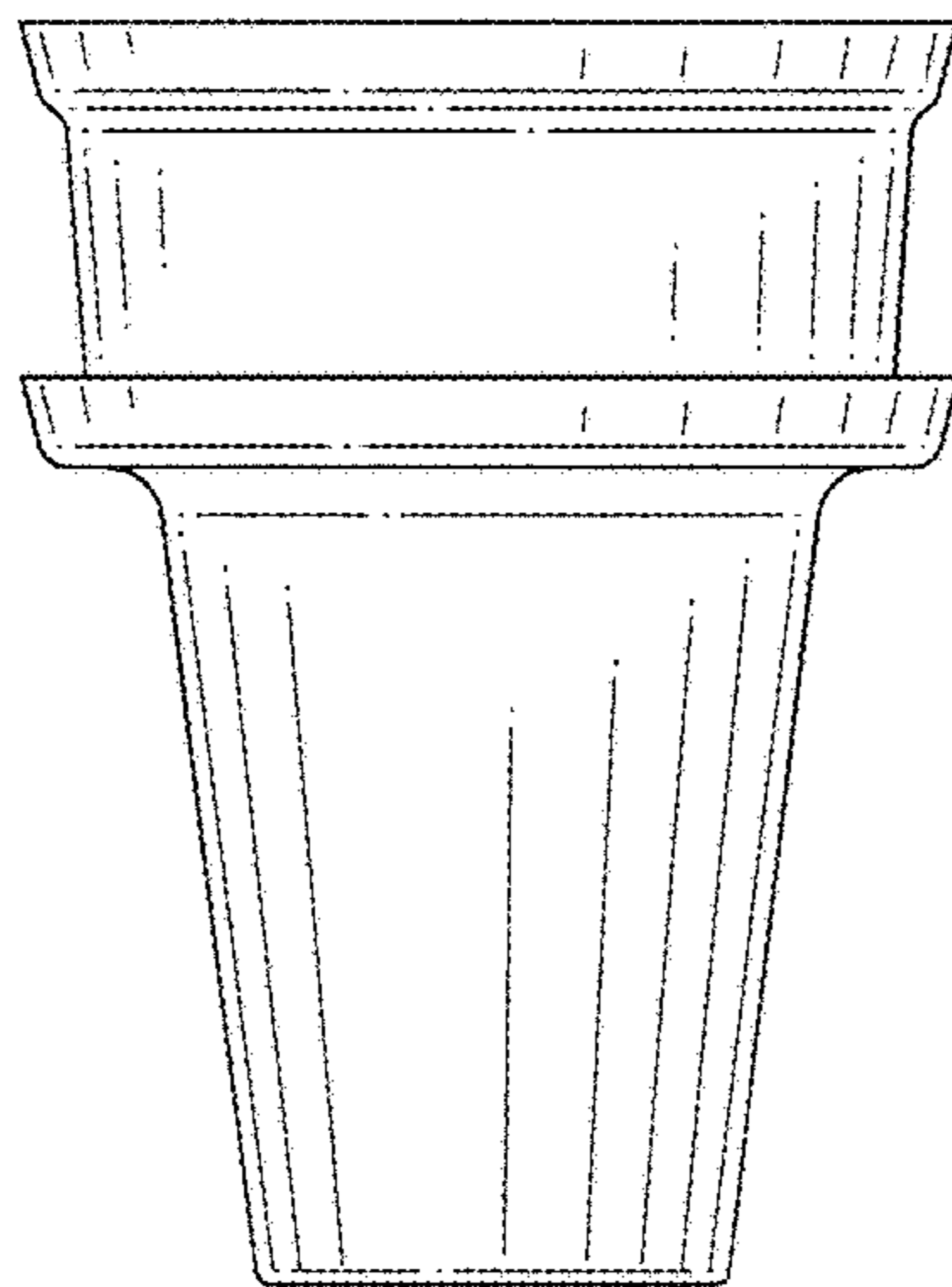


FIG. 4