



US00D793024S

(12) **United States Design Patent** (10) **Patent No.:** **US D793,024 S**  
**Bernart et al.** (45) **Date of Patent:** **\*\* Jul. 25, 2017**

(54) **RAMP** 1,232,437 A 7/1917 Simpson  
1,504,744 A 8/1924 Cox  
(71) Applicant: **Cequent Consumer Products, Inc.,** 1,568,303 A 1/1926 Webster  
Solon, OH (US) 1,626,597 A 5/1927 Cantor  
1,635,462 A 7/1927 Cummings  
(72) Inventors: **Francis Bernart**, North Canton, OH 1,659,928 A 2/1928 Townsend  
(US); **Matthew Romanak**, Garfield 2,122,301 A 6/1938 Soss et al.  
Heights, OH (US) 2,141,529 A 12/1938 Gravelle  
2,779,489 A 1/1957 Boom  
3,339,968 A 9/1967 Hall  
(73) Assignee: **HORIZON GLOBAL AMERICAS** 3,352,440 A 11/1967 Wilson  
**INC.**, Plymouth, MI (US) 3,510,015 A 5/1970 Roshaven  
3,517,772 A 6/1970 Weis et al.  
3,532,058 A 10/1970 van der Meide  
(\*\*) Term: **15 Years** (Continued)

(21) Appl. No.: **29/549,225**

FOREIGN PATENT DOCUMENTS

(22) Filed: **Dec. 21, 2015**

CN 203172539 9/2013  
DE 370353 3/1923

(Continued)

**Related U.S. Application Data**

(63) Continuation-in-part of application No. 29/536,097, filed on Aug. 13, 2015, which is a continuation of application No. 29/492,466, filed on May 30, 2014.

*Primary Examiner* — Cynthia Ramirez

(74) *Attorney, Agent, or Firm* — McDonald Hopkins LLC

(51) **LOC (10) Cl.** ..... **12-05**

(57) **CLAIM**

The ornamental design of a ramp, as shown and described.

(52) **U.S. Cl.**

**DESCRIPTION**

USPC ..... **D34/32**

(58) **Field of Classification Search**

USPC ..... D34/28, 32; 14/2.4, 69.5, 71.1; 414/537, 414/523

CPC . B65G 69/30; B60P 1/431; B60P 1/43; A61G 3/061

See application file for complete search history.

FIG. 1 is a perspective view of a ramp showing our new design;

FIG. 2 is a front view thereof;

FIG. 3 is a rear view thereof;

FIG. 4 is a first side view thereof;

FIG. 5 is a second side view thereof;

FIG. 6 is a top plan view thereof;

FIG. 7 is a bottom plan view thereof; and,

FIG. 8 is a bottom perspective view thereof.

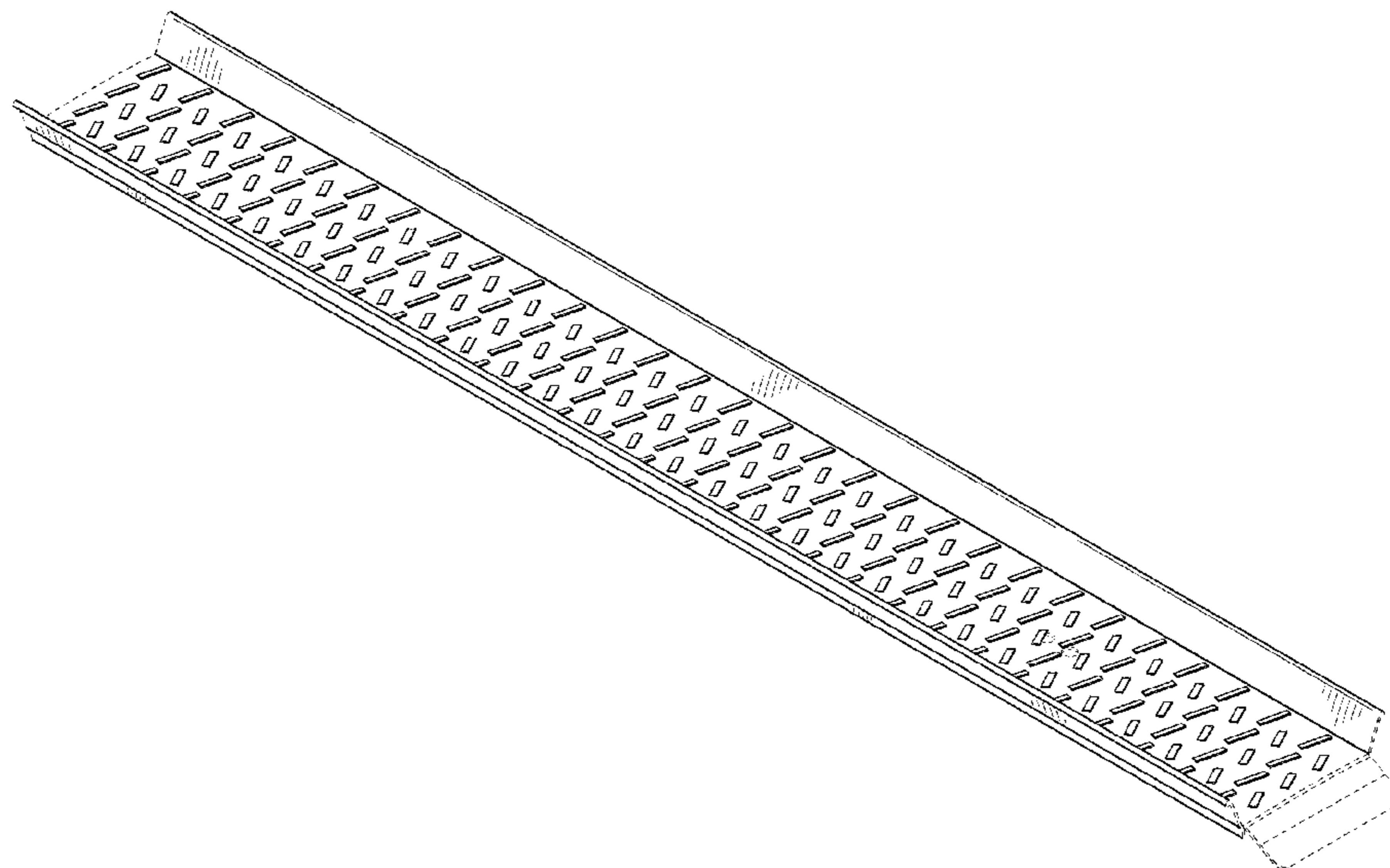
The features shown in broken lines in the drawing figures depict environmental subject matter only and form no part of the claimed design.

(56) **References Cited**

**U.S. PATENT DOCUMENTS**

426,209 A 4/1890 McIntyre  
963,918 A 7/1910 Miller  
976,666 A \* 11/1910 Lucas ..... B21B 39/165  
14/69.5  
1,194,819 A 8/1916 Clark

**1 Claim, 4 Drawing Sheets**



(56)

References Cited

U.S. PATENT DOCUMENTS

3,580,373 A 5/1971 Stickle  
 3,613,920 A 10/1971 Flamm  
 3,642,156 A 2/1972 Stenson  
 3,713,553 A 1/1973 Curtis et al.  
 3,735,454 A 5/1973 Goldstein  
 3,737,058 A 6/1973 Johnson  
 3,818,528 A 6/1974 Petersen  
 3,977,545 A 8/1976 Lloyd  
 3,984,891 A 10/1976 Weinmann  
 4,039,163 A 8/1977 Shorey  
 4,047,701 A 9/1977 Glaesener  
 4,098,414 A 7/1978 Abiera  
 4,127,201 A 11/1978 Baumann  
 4,186,901 A 2/1980 Shorey  
 4,285,514 A 8/1981 Romero  
 4,341,371 A \* 7/1982 Rotella ..... B66F 7/243  
 14/69.5  
 4,443,905 A 4/1984 Kopp  
 4,478,549 A 10/1984 Stelly et al.  
 4,528,711 A 7/1985 Packer  
 4,668,002 A 5/1987 Hanson  
 4,722,109 A 2/1988 Mountz  
 4,726,155 A 2/1988 Nahmias  
 4,727,612 A 3/1988 Smith  
 4,735,454 A 4/1988 Bernard  
 4,759,682 A \* 7/1988 Hood ..... A61G 3/061  
 105/433  
 4,761,847 A 8/1988 Savage et al.  
 4,779,298 A 10/1988 Nichols, Sr. et al.  
 4,853,999 A 8/1989 Smith  
 4,864,672 A 9/1989 Altieri et al.  
 4,874,284 A 10/1989 New, Jr.  
 4,878,800 A 11/1989 Dell  
 D311,798 S \* 10/1990 Boots ..... D34/32  
 4,995,129 A 2/1991 Comardo  
 5,001,798 A \* 3/1991 Hamilton ..... E04B 1/34347  
 14/69.5  
 5,077,852 A \* 1/1992 Karlsson ..... B65G 69/287  
 14/69.5  
 5,096,362 A 3/1992 Best  
 5,133,584 A 7/1992 McCleary  
 5,133,634 A 7/1992 Gingrich et al.  
 5,156,432 A 10/1992 McCleary  
 5,169,202 A 12/1992 Cupp et al.  
 5,211,437 A 5/1993 Gerulf  
 5,213,458 A 5/1993 Preller et al.  
 5,273,335 A 12/1993 Belnap et al.  
 5,287,579 A 2/1994 Estevez, Jr.  
 5,325,558 A 7/1994 Labreche  
 D353,701 S 12/1994 Beavers et al.  
 D353,929 S \* 12/1994 Kincaid ..... D34/28  
 D353,930 S \* 12/1994 Johnson ..... D21/687  
 D357,789 S \* 4/1995 Port ..... D34/32  
 D358,924 S \* 5/1995 Achenbach ..... D34/32  
 5,438,308 A 8/1995 Leupold et al.  
 5,440,773 A 8/1995 Lentini  
 5,481,773 A 1/1996 Alten  
 5,538,308 A 7/1996 Floe  
 D373,885 S \* 9/1996 Holland, Jr. .... D34/32  
 5,553,989 A 9/1996 Ullman  
 5,560,063 A 10/1996 Alten et al.  
 5,608,937 A 3/1997 Seigneur et al.  
 5,640,733 A 6/1997 Alten et al.  
 D382,676 S \* 8/1997 Holbrook ..... D30/119  
 5,768,733 A 6/1998 Kneebone  
 D398,129 S 9/1998 Sacks et al.  
 D401,731 S \* 11/1998 Jeruss ..... D34/32  
 5,853,281 A 12/1998 Farmer  
 5,870,788 A 2/1999 Witkin

5,926,889 A 7/1999 Riesselmann et al.  
 5,933,898 A 8/1999 Estes et al.  
 5,988,725 A 11/1999 Cole  
 6,009,587 A 1/2000 Beeman  
 6,139,249 A 10/2000 Lucht  
 D434,542 S \* 11/2000 Wickstead ..... D34/32  
 6,227,593 B1 5/2001 De Valcourt  
 6,267,082 B1 \* 7/2001 Naragon ..... A01K 29/00  
 119/849  
 6,715,177 B1 \* 4/2004 Lagergren-Julander B60P 1/433  
 119/847  
 6,722,721 B2 4/2004 Sherrer et al.  
 6,746,068 B1 6/2004 Hurd  
 D494,336 S \* 8/2004 Smith ..... D34/32  
 D494,726 S \* 8/2004 Smith ..... D34/32  
 6,811,067 B2 11/2004 Muizelaar et al.  
 6,842,930 B2 1/2005 Massey et al.  
 6,875,116 B2 \* 4/2005 Tessier ..... A63C 19/10  
 14/69.5  
 7,100,231 B2 9/2006 Peschmann  
 7,179,042 B1 2/2007 Hartmann et al.  
 7,299,517 B1 11/2007 Adinolfi  
 7,478,449 B2 1/2009 Williams  
 7,488,025 B1 2/2009 Roberson  
 7,524,156 B2 4/2009 Garbes  
 D596,368 S \* 7/2009 Holicki ..... D34/32  
 D617,972 S \* 6/2010 Lucht ..... D34/32  
 7,895,693 B2 3/2011 Woodmansee, III et al.  
 7,926,139 B2 4/2011 Metcalfe et al.  
 D640,854 S \* 6/2011 Leum ..... D34/32  
 8,074,314 B2 \* 12/2011 Lucht ..... B65G 69/30  
 14/69.5  
 8,495,779 B2 7/2013 Metcalfe et al.  
 8,656,542 B2 2/2014 Metcalfe et al.  
 8,707,495 B2 4/2014 Romanak et al.  
 D706,513 S \* 6/2014 LaBarbera ..... D34/32  
 8,914,932 B2 12/2014 Romanak et al.  
 2001/0031193 A1 10/2001 Chevrier  
 2001/0039687 A1 11/2001 Hahn et al.  
 2002/0070079 A1 6/2002 Rosenwinkel  
 2002/0088065 A1 7/2002 Schmaltz et al.  
 2004/0083562 A1 5/2004 Leblanc  
 2006/0177294 A1 8/2006 Garbes  
 2006/0200919 A1 9/2006 Frahm et al.  
 2007/0199166 A1 8/2007 Peschmann  
 2007/0237615 A1 \* 10/2007 Bailie ..... B60P 1/43  
 414/467  
 2010/0242189 A1 \* 9/2010 Goin ..... B60P 1/431  
 14/71.1  
 2011/0008140 A1 \* 1/2011 Hansen ..... A61G 3/061  
 414/523  
 2011/0252582 A1 10/2011 Metcalfe et al.  
 2013/0043093 A1 2/2013 Smith  
 2013/0091639 A1 4/2013 Romanak et al.  
 2014/0356121 A1 \* 12/2014 Leum ..... B65G 69/30  
 414/800  
 2015/0074924 A1 \* 3/2015 Bernart ..... B65G 69/30  
 14/69.5

FOREIGN PATENT DOCUMENTS

DE 1243589 6/1967  
 DE 2106972 11/1978  
 DE 4234592 9/1993  
 GB 370353 4/1932  
 GB 499208 1/1939  
 GB 1038445 8/1966  
 WO WO89/06199 7/1989  
 WO WO94/05878 3/1994

\* cited by examiner



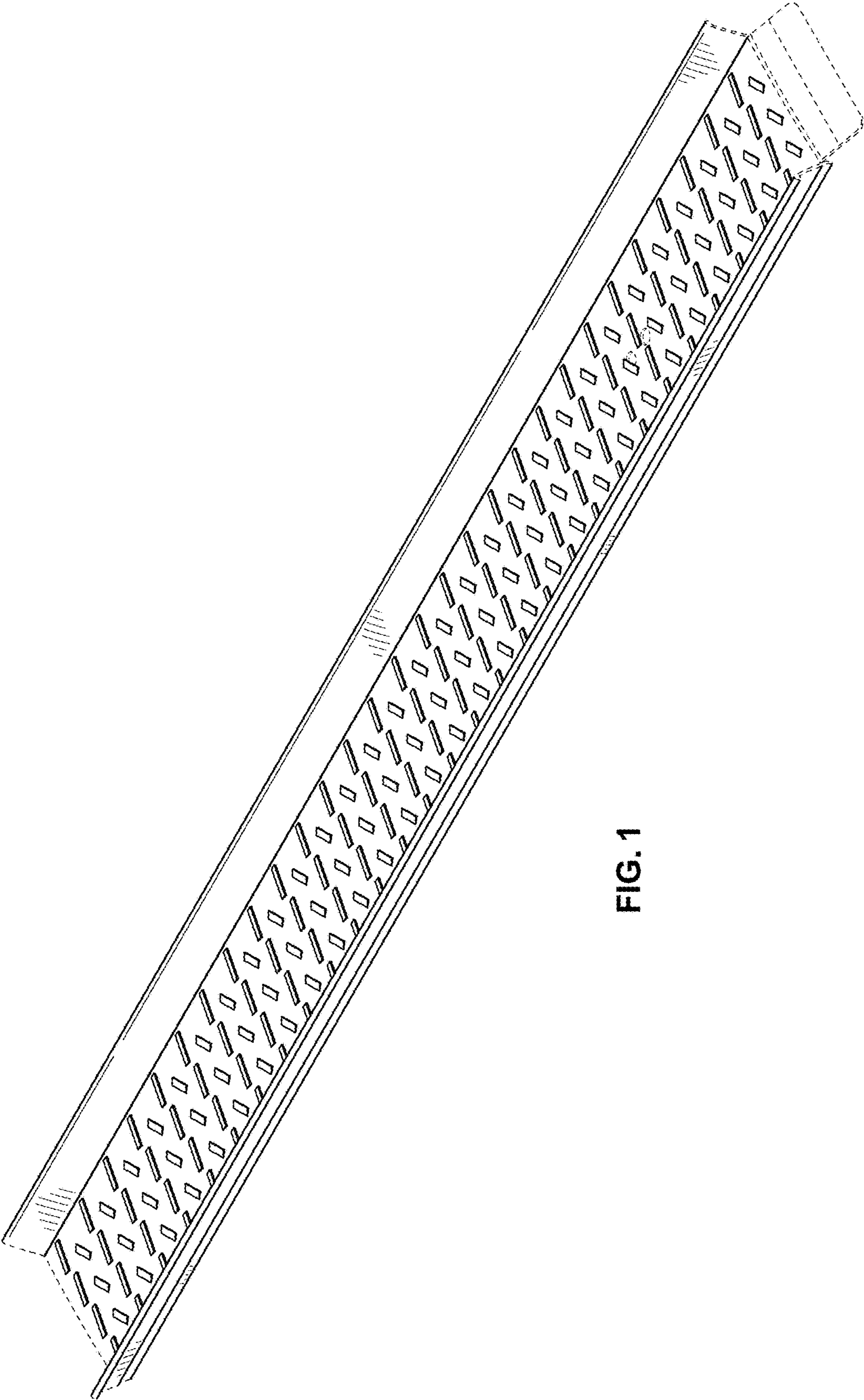


FIG. 1

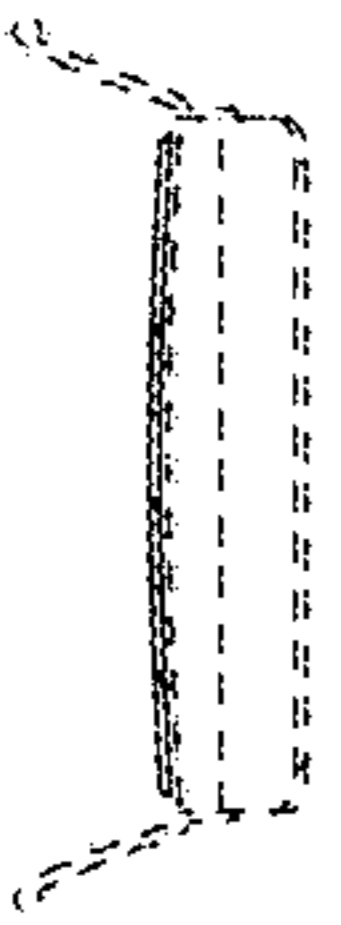


FIG. 2

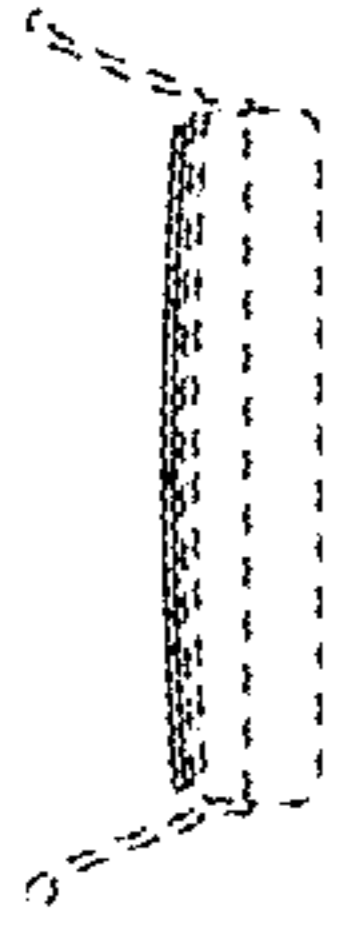


FIG. 3

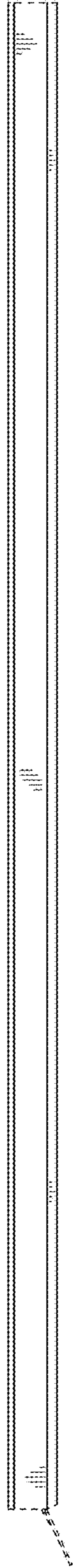


FIG. 4

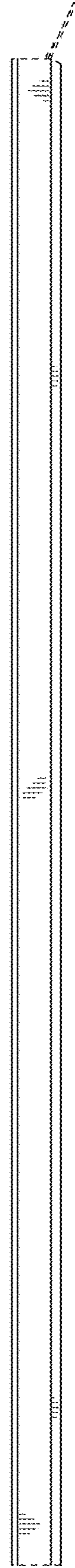


FIG. 5

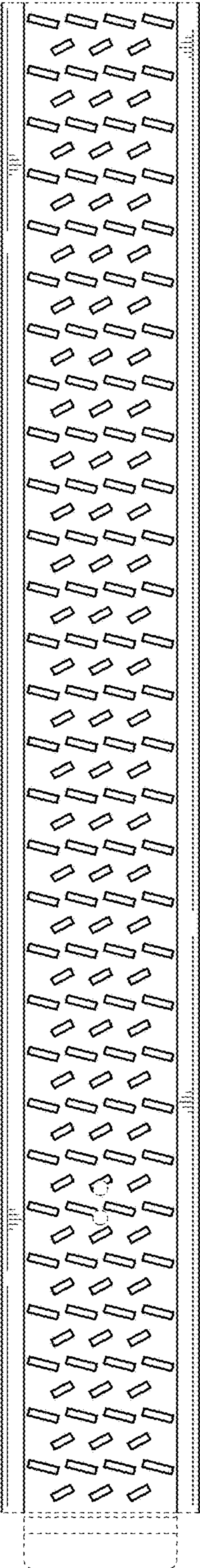


FIG. 6

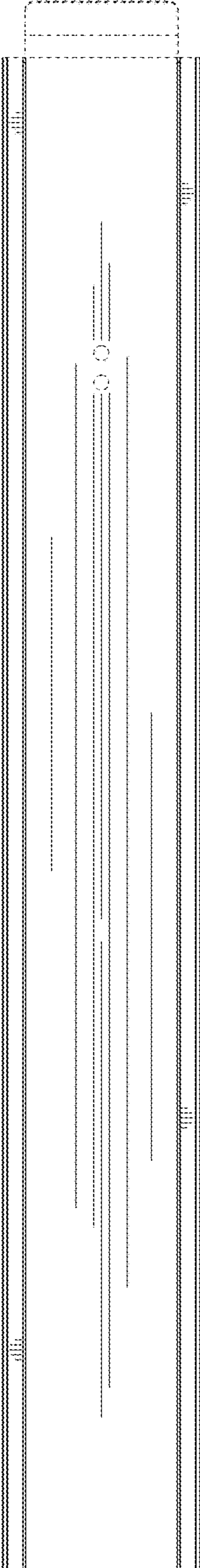


FIG. 7

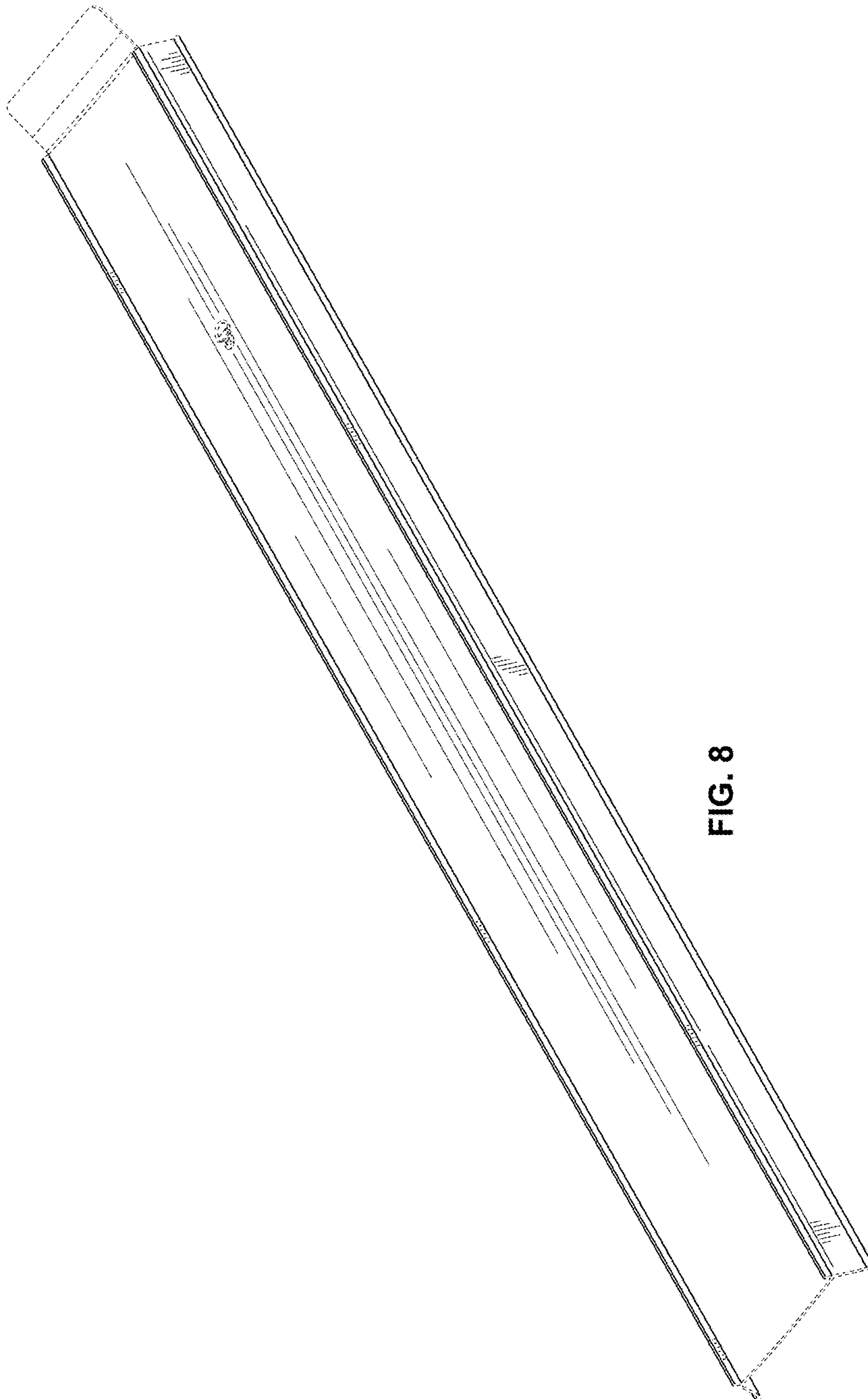


FIG. 8