



US00D793023S

(12) **United States Design Patent** (10) **Patent No.:** **US D793,023 S**
Kueck (45) **Date of Patent:** **** Jul. 25, 2017**

(54) **SHIPPING RACK JIG** 4,934,538 A * 6/1990 Beyer B65G 49/062
 211/194
 (71) Applicant: **Plants in Motion LLC**, Flint, TX (US) 5,145,073 A * 9/1992 Kitagawa B65D 85/48
 206/448
 (72) Inventor: **Steve Kueck**, Flint, TX (US) D375,603 S * 11/1996 Carver D34/28
 D525,051 S * 7/2006 Kuelbs D6/675.2
 7,614,511 B2 * 11/2009 Konstant A47B 47/021
 211/189
 (73) Assignee: **PLANTS IN MOTION LLC**, Flint, TX (US) D636,142 S * 4/2011 Loepky D34/28
 2004/0007550 A1 * 1/2004 Leeman A47F 5/101
 211/189
 (**) Term: **15 Years** 2004/0086361 A1 * 5/2004 Visser A01G 9/143
 414/267
 (21) Appl. No.: **29/561,031** 2012/0011768 A1 * 1/2012 Martinez A01G 9/143
 47/39
 (22) Filed: **Apr. 12, 2016**
 (51) **LOC (10) Cl.** **12-05** * cited by examiner
 (52) **U.S. Cl.**
 USPC **D34/28**
 (58) **Field of Classification Search**
 USPC D34/28, 31, 38; D6/329, 675.2, 702;
 211/49.1, 71.01, 90.01, 134, 135, 187,
 211/188, 153, 175, 207, 184, 113, 118,
 211/19, 194, 189; 108/149, 187, 60;
 D25/66; 414/267; 193/35 R; 206/448;
 47/39
 CPC ... B66F 5/02; B66F 13/00; B62B 3/02; A01G
 9/12; A01G 9/143; G21C 9/016
 See application file for complete search history.

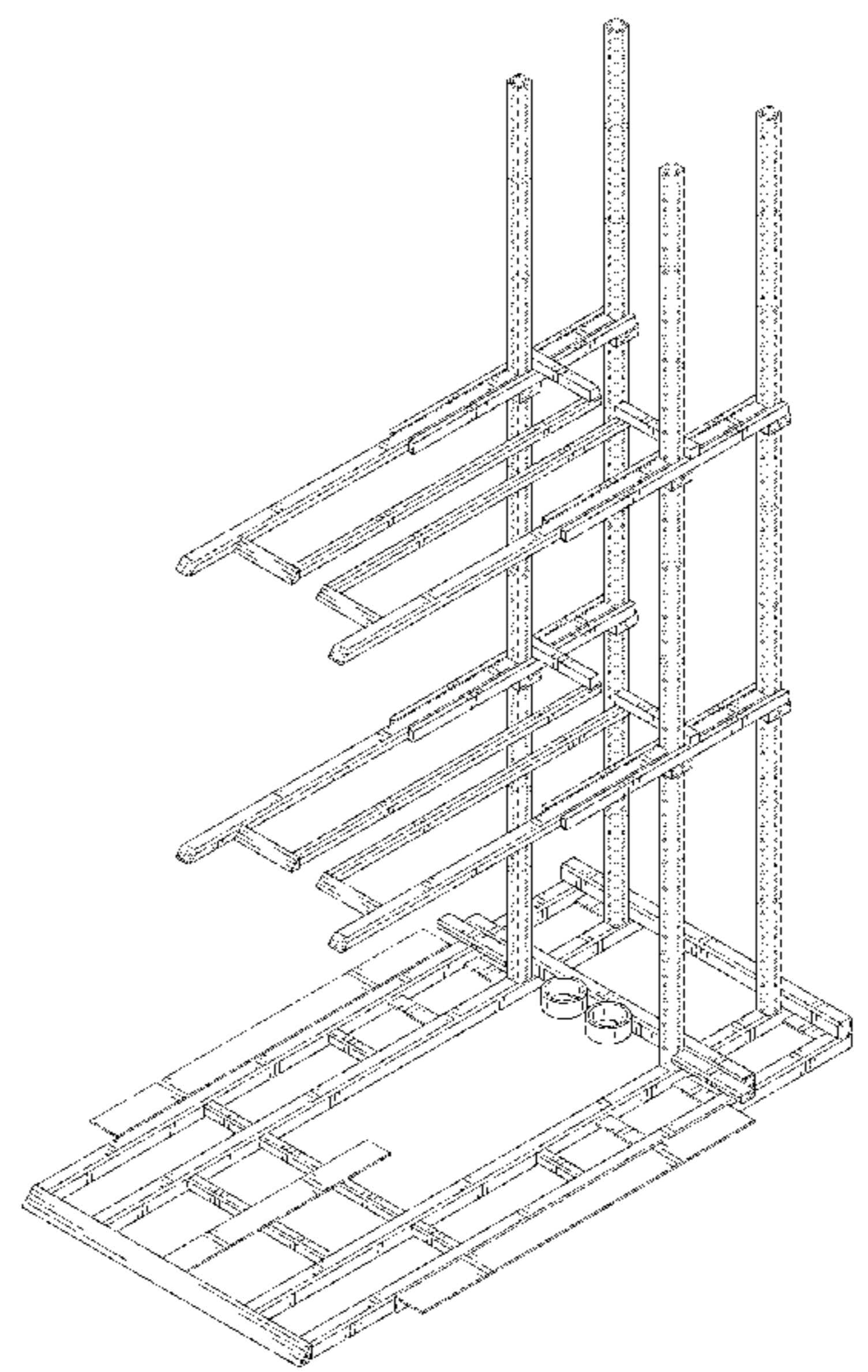
(56) **References Cited**
 U.S. PATENT DOCUMENTS
 3,814,034 A * 6/1974 Seiz A62C 35/58
 108/187
 3,900,112 A * 8/1975 Azzi B65G 1/023
 193/35 R
 4,039,132 A * 8/1977 Fournier A47G 7/041
 211/189
 4,315,711 A * 2/1982 Koscho B65G 65/24
 206/448
 4,765,493 A * 8/1988 Kinney B65G 1/023
 193/35 R

Primary Examiner — Cynthia Ramirez
Assistant Examiner — Michael Maharajh
 (74) *Attorney, Agent, or Firm* — Schultz & Associates,
 P.C.

(57) **CLAIM**
 The ornamental design for a shipping rack jig, as shown and described.

DESCRIPTION
 FIG. 1 is a perspective view of a shipping rack jig showing my new design;
 FIG. 2 is a front elevation view thereof;
 FIG. 3 is a rear elevation view thereof;
 FIG. 4 is a side elevation view thereof;
 FIG. 5 is a second side elevation view thereof;
 FIG. 6 is a top plan view thereof; and,
 FIG. 7 is a bottom plan view thereof.
 The broken lines shown in the figures are for the purpose of illustrating portions of the shipping rack jig and form no part of the claimed design.

1 Claim, 7 Drawing Sheets



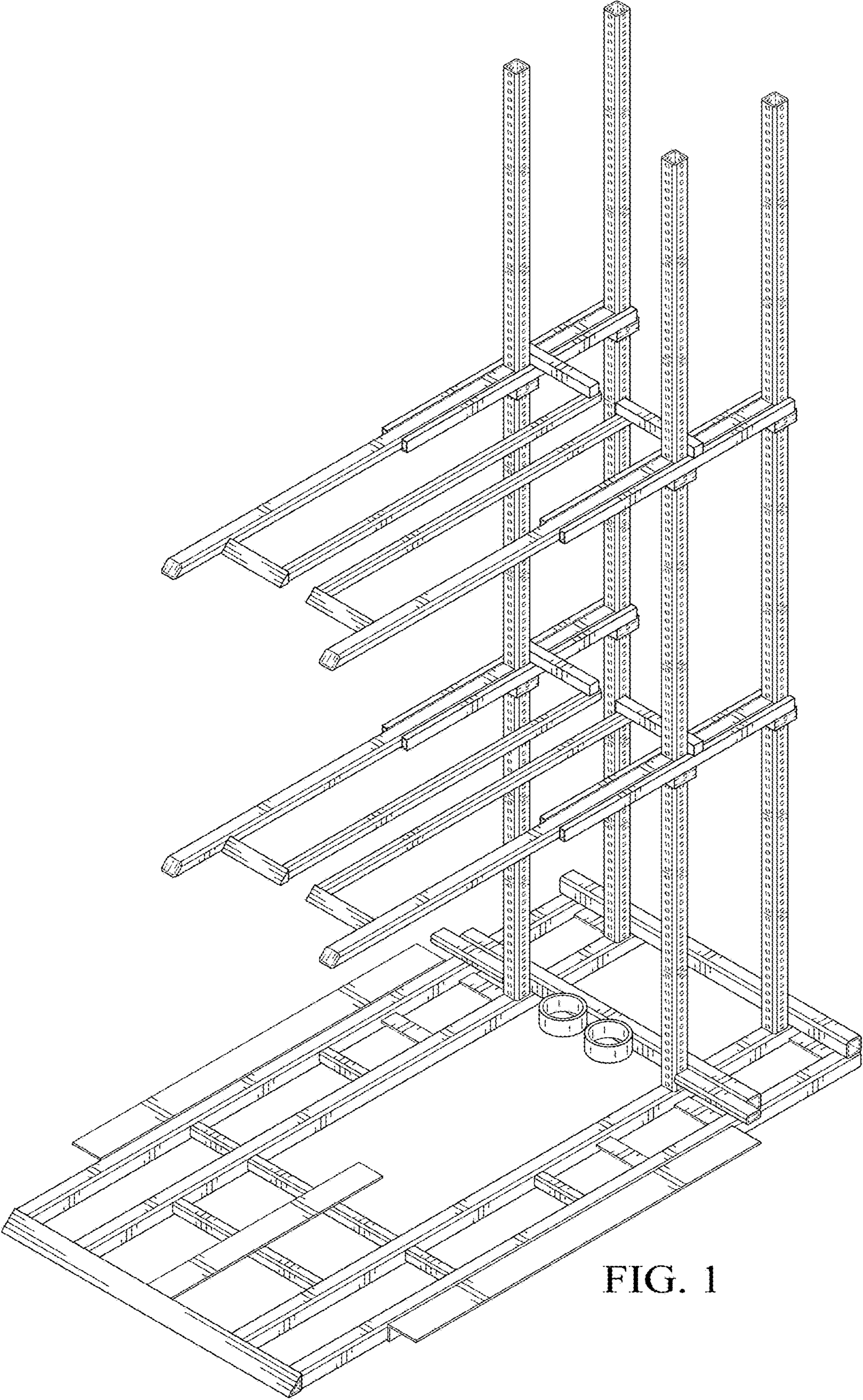


FIG. 1

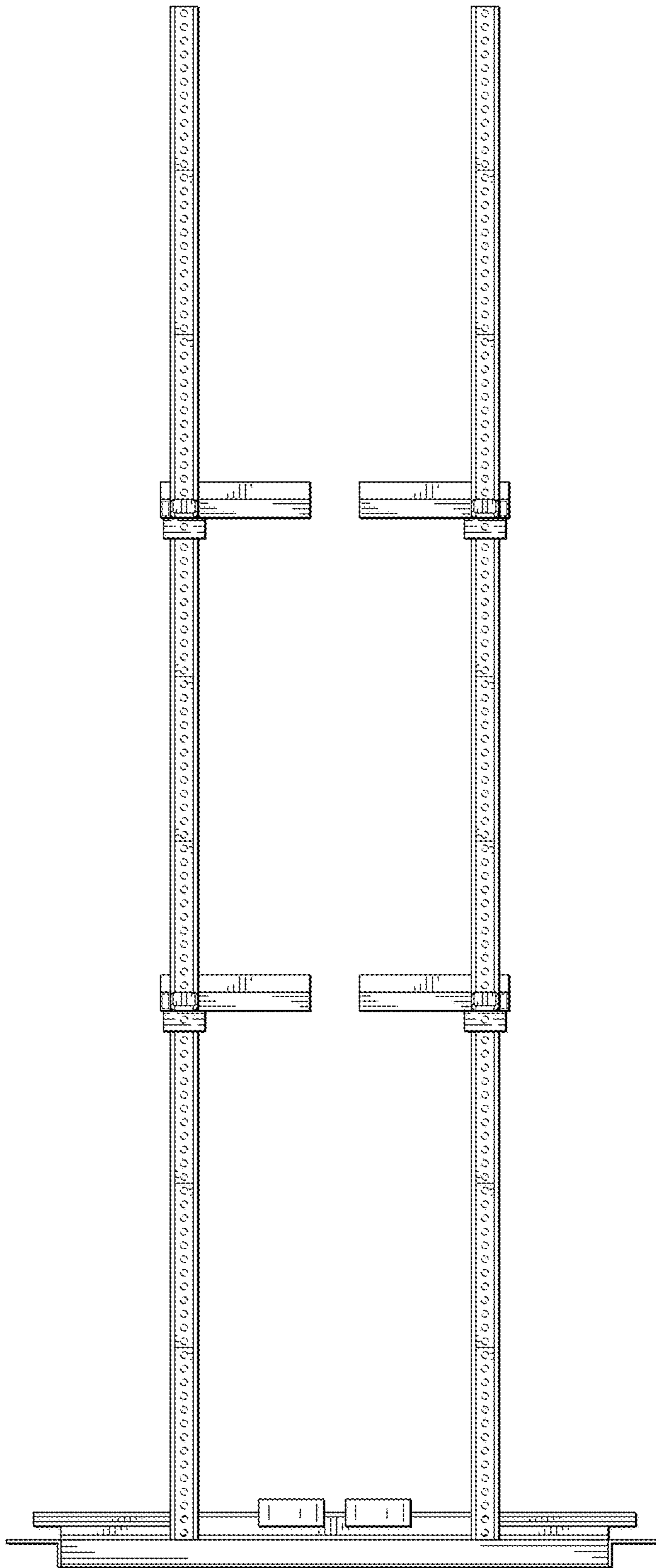


FIG. 2

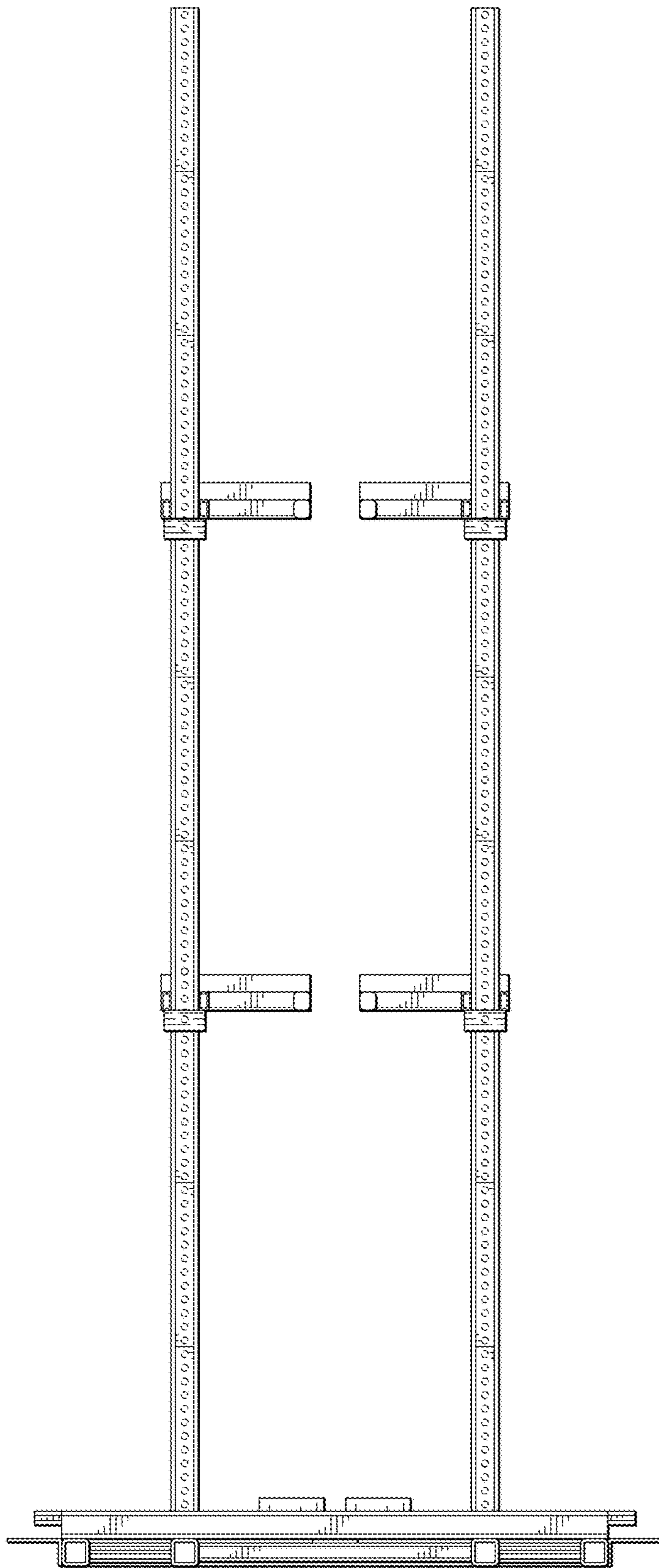
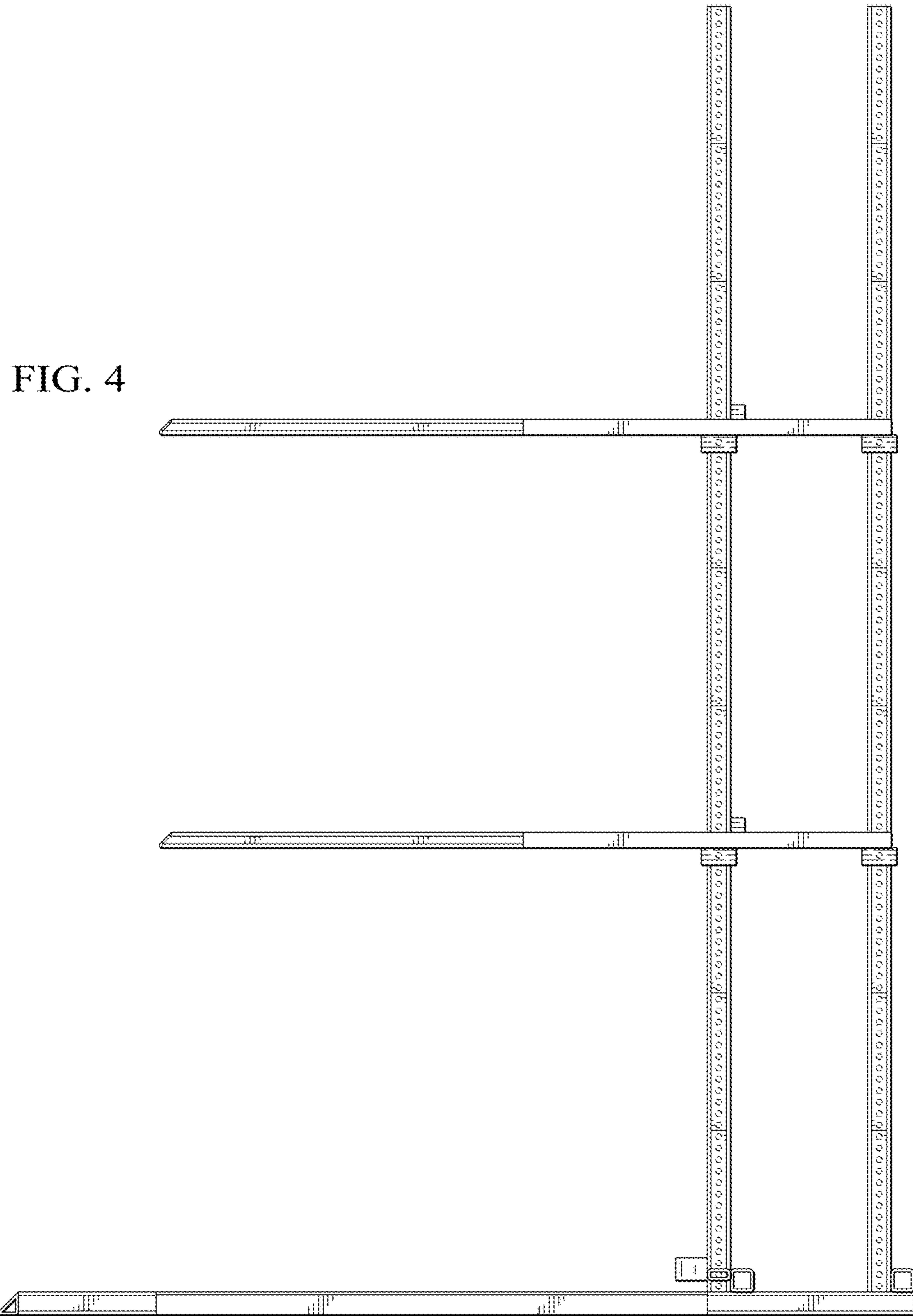
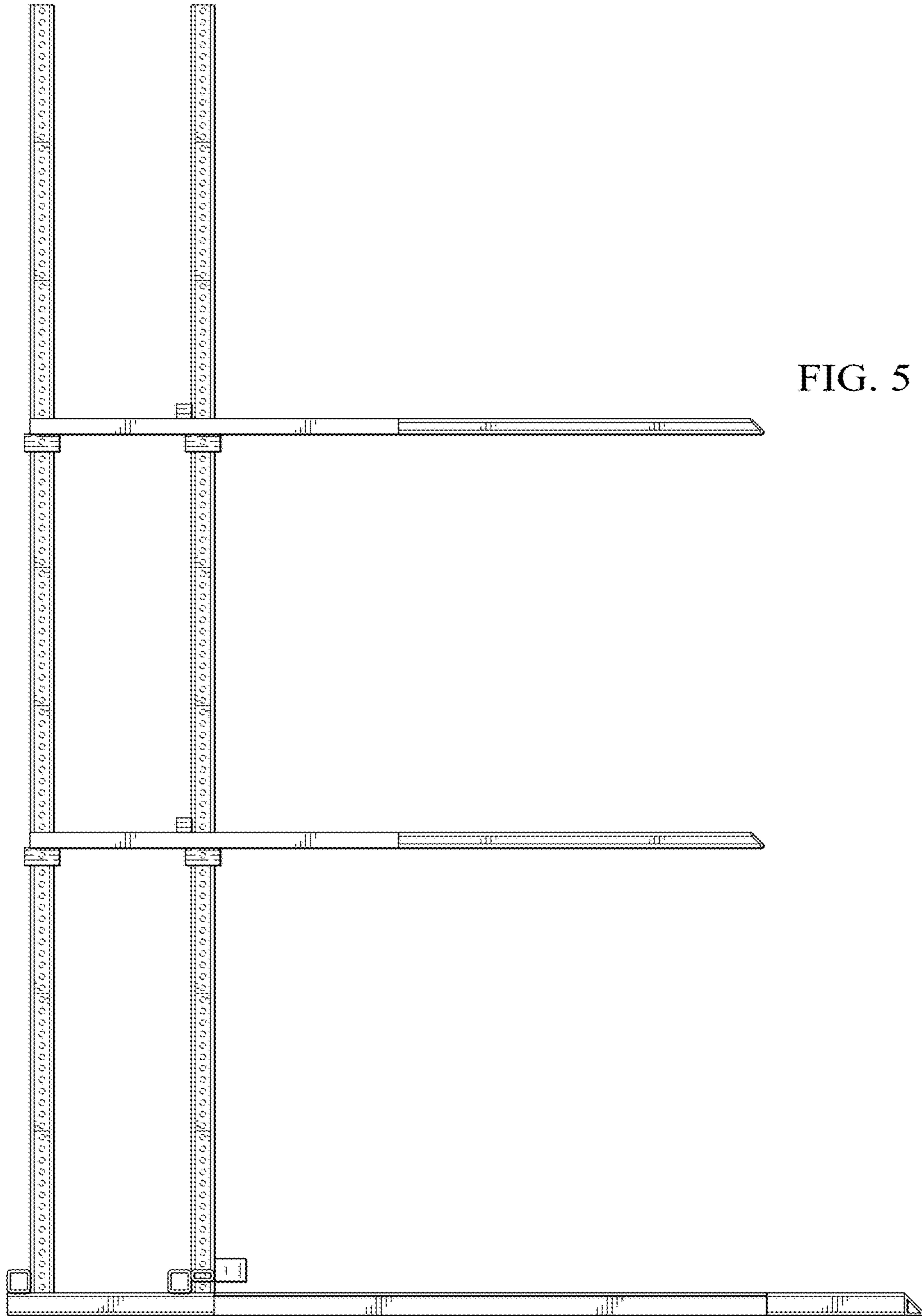


FIG. 3





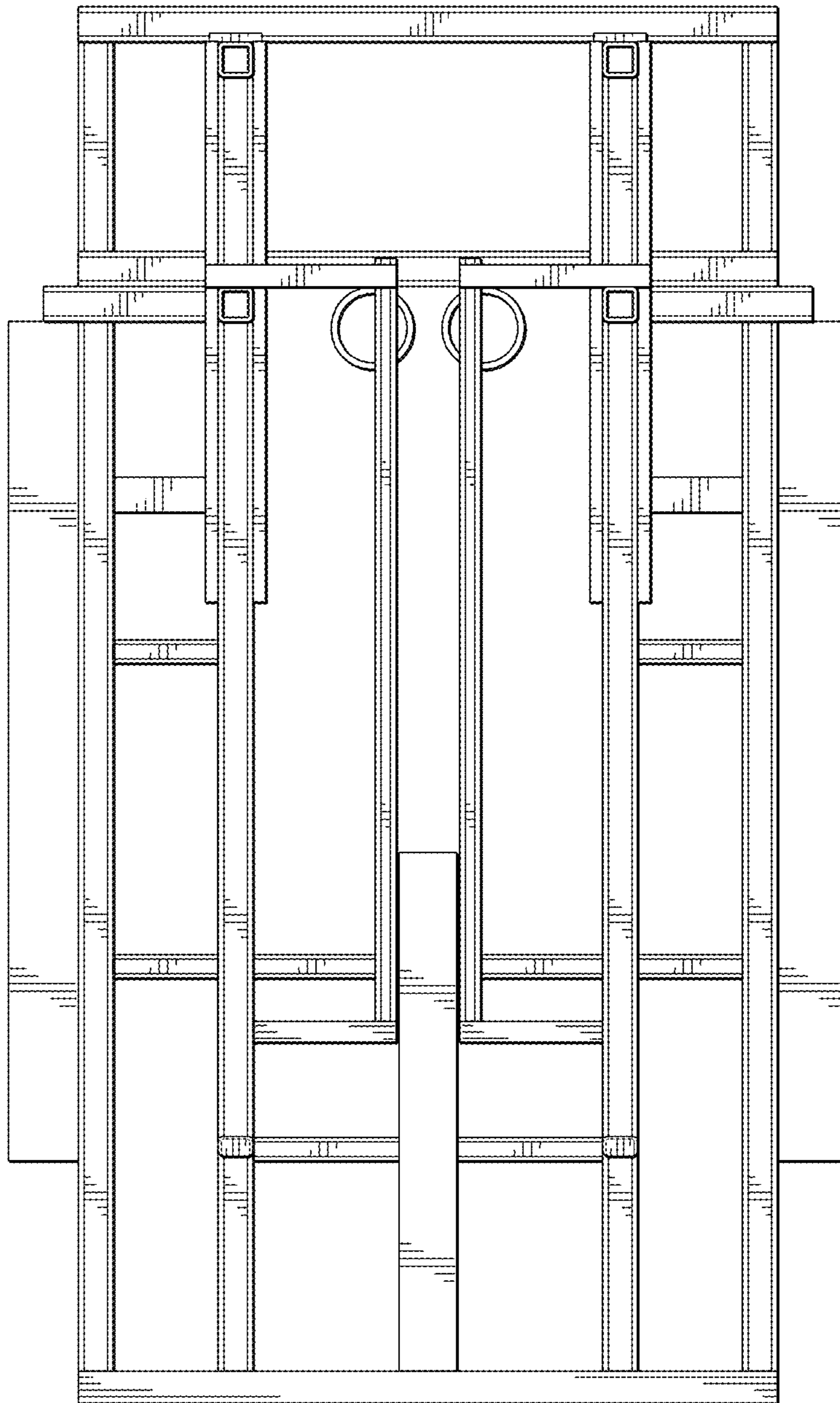


FIG. 6

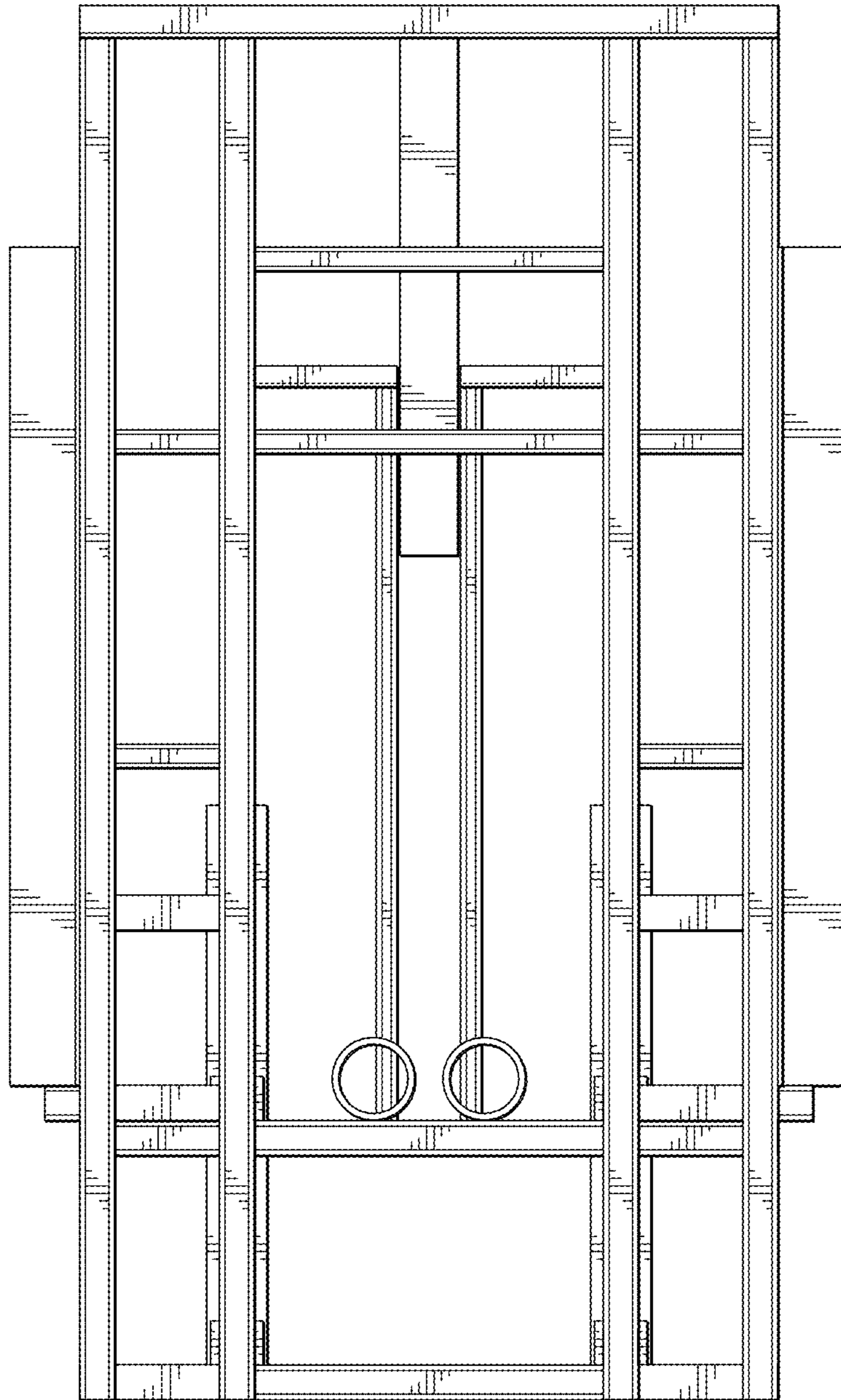


FIG. 7