

US00D793021S

(12) **United States Design Patent** (10) **Patent No.:** **US D793,021 S**
Villiger (45) **Date of Patent:** **** Jul. 25, 2017**

(54) **WASTE CONTAINER**

(74) *Attorney, Agent, or Firm* — Seed IP law Group LLP

(71) Applicant: **Villiger Public Systems GmbH,**
Oberrüti (CH)

(57) **CLAIM**

The ornamental design for a waste container, as shown and described.

(72) Inventor: **Paul Villiger,** Oberrüti (CH)

(73) Assignee: **Villiger Public Systems GmbH,**
Oberrüti (CH)

DESCRIPTION

(**) Term: **14 Years**

FIG. 1 shows a front view of an embodiment of a first embodiment of a waste container embodying my new design;

(21) Appl. No.: **29/525,304**

FIG. 2 shows a right side view of the waste container as shown in FIG. 1;

(22) Filed: **Apr. 28, 2015**

FIG. 3 shows a bottom view of the waste container as shown in FIG. 1;

(30) **Foreign Application Priority Data**

Oct. 30, 2014 (WO) 848867801

FIG. 4 shows a top view of the waste container as shown in FIG. 1;

Nov. 25, 2014 (WO) 854584801

FIG. 5 shows a left side view of the waste container as shown in FIG. 1;

(51) **LOC (10) Cl.** **09-09**

FIG. 6 shows a rear view of the waste container as shown in FIG. 1;

(52) **U.S. Cl.**

USPC **D34/7**

FIG. 7 shows an upper perspective view of the waste container as shown in FIG. 1;

(58) **Field of Classification Search**

USPC D34/1, 5, 6, 7, 8, 9, 10, 11;
220/908-911

FIG. 8 shows a front view of a second embodiment of a waste container embodying my new design;

See application file for complete search history.

FIG. 9 shows a right side view of the waste container as shown in FIG. 8;

(56) **References Cited**

U.S. PATENT DOCUMENTS

D338,756 S * 8/1993 Pink D34/1

FIG. 10 shows a bottom view of the waste container as shown in FIG. 8;

D355,289 S * 2/1995 Schafer D34/1

FIG. 11 shows a top view of the waste container as shown in FIG. 8;

D458,430 S * 6/2002 Hogarth D34/7

FIG. 12 shows a left side view of the waste container as shown in FIG. 8;

D603,118 S * 10/2009 Gollinucci D34/7

FIG. 13 shows a rear view of the waste container as shown in FIG. 8; and,

D658,839 S * 5/2012 Cohn D34/7

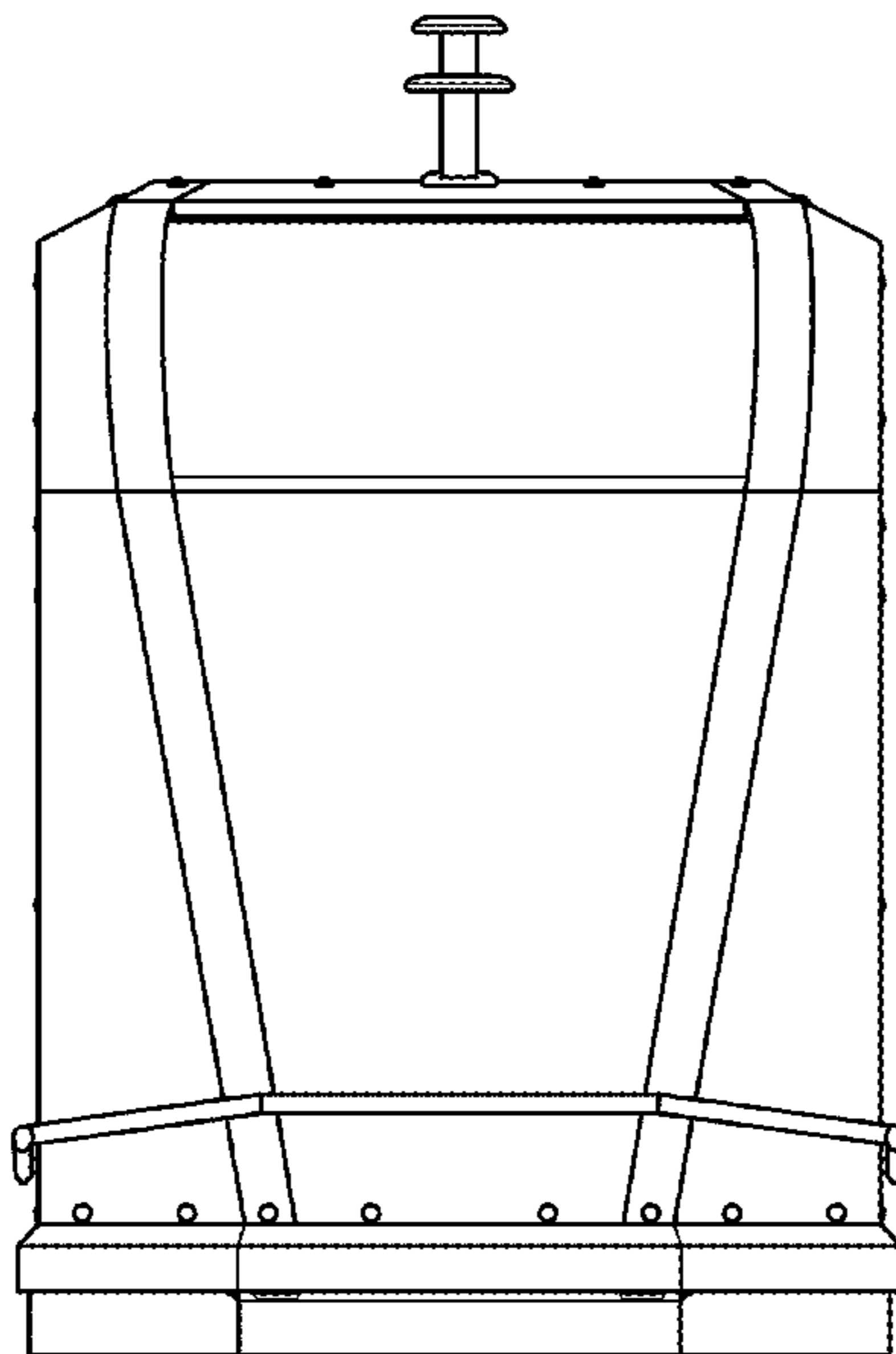
FIG. 14 shows an upper perspective view of the waste container as shown in FIG. 8.

D733,383 S * 6/2015 Lloyd D34/7

* cited by examiner

Primary Examiner — Cynthia Ramirez

1 Claim, 14 Drawing Sheets



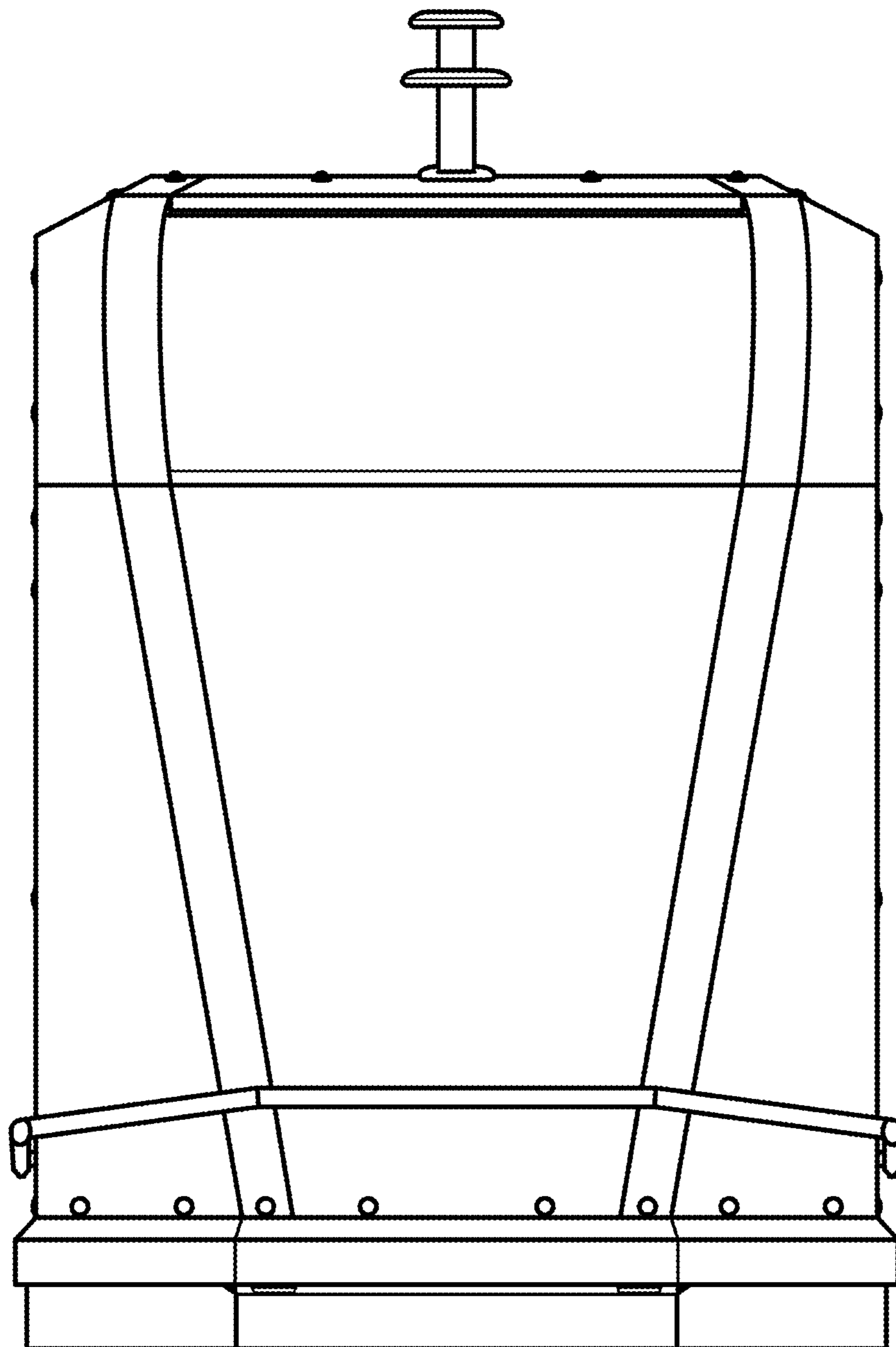


FIG. 1

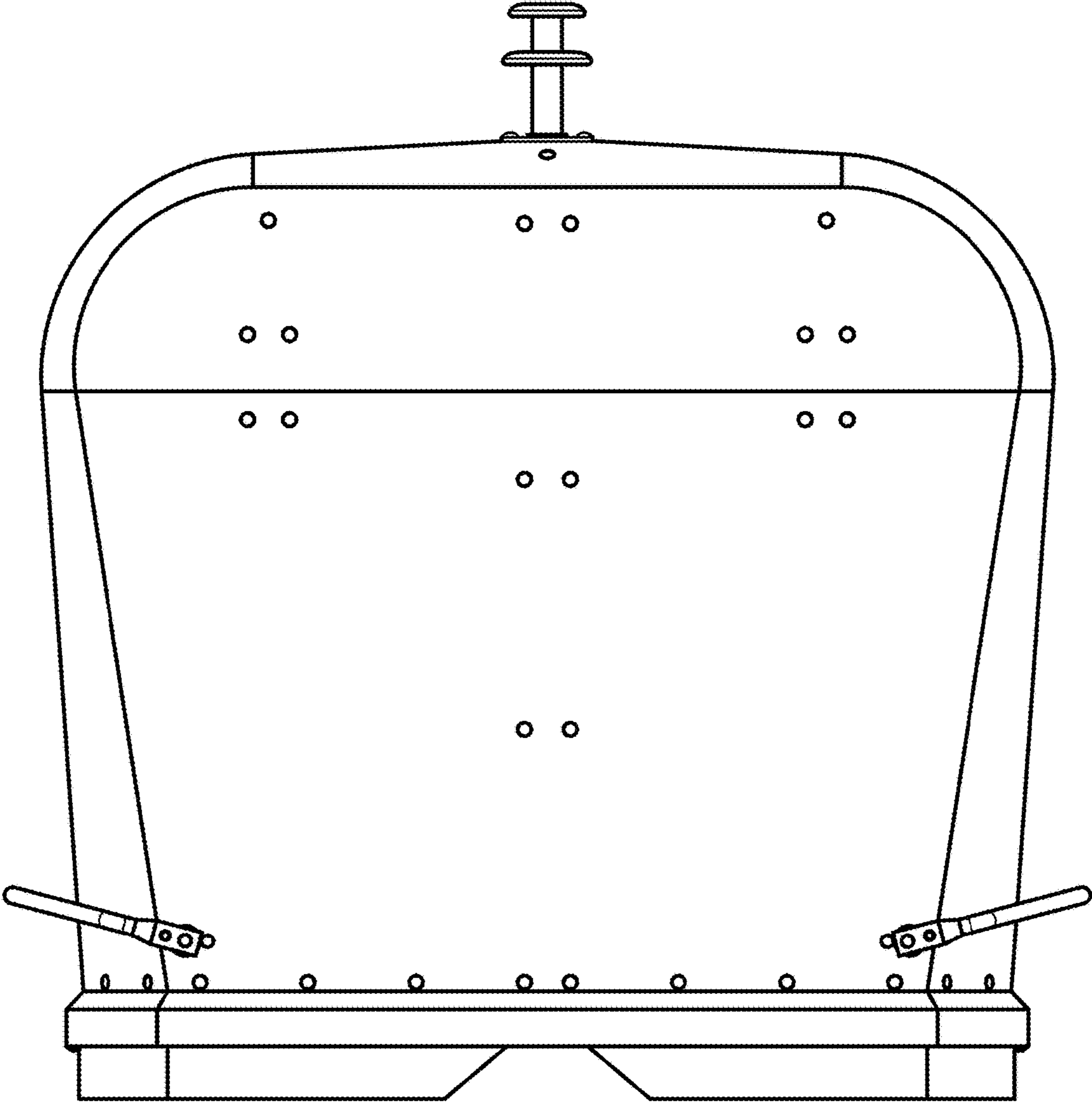


FIG. 2

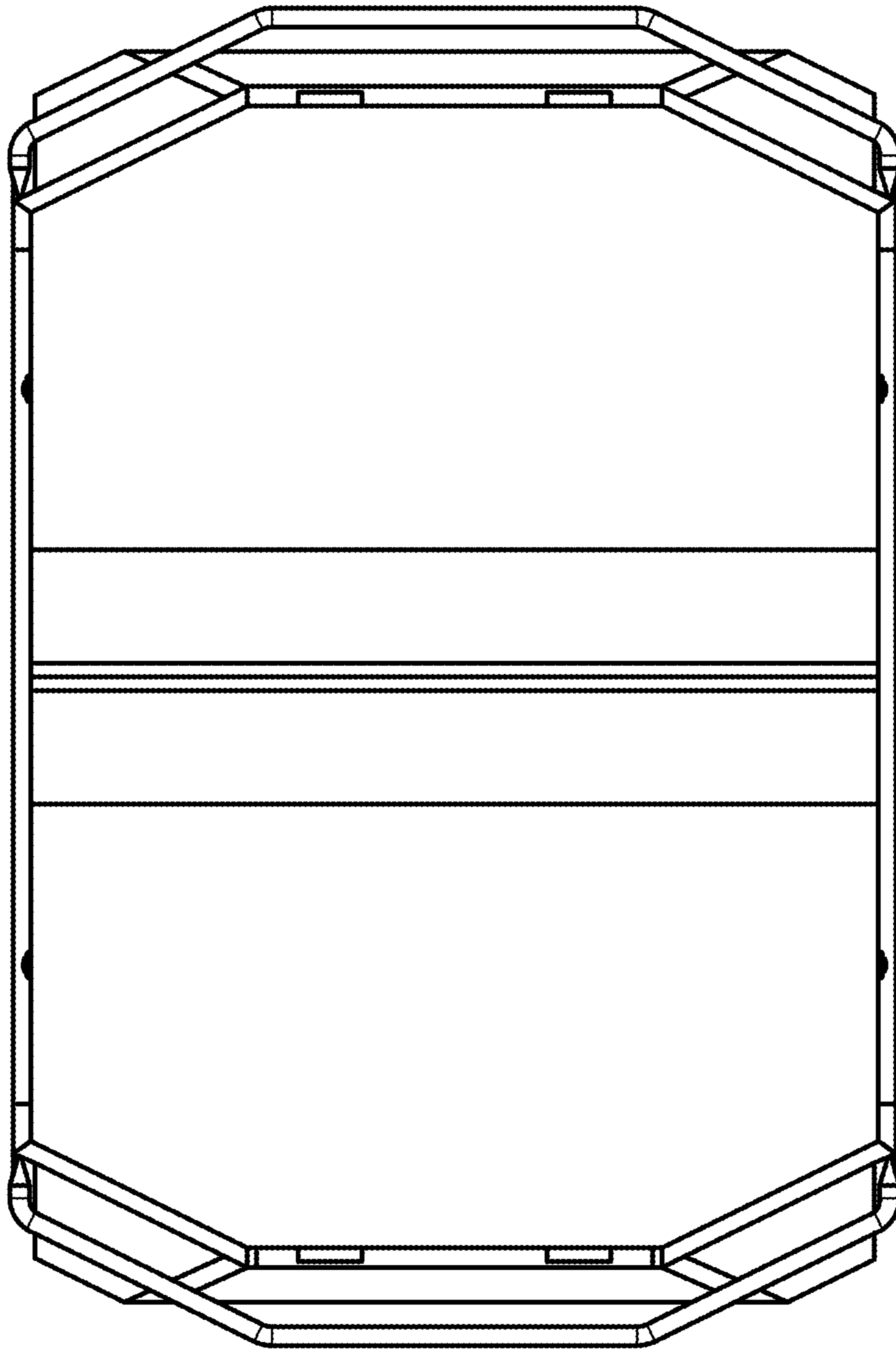


FIG. 3

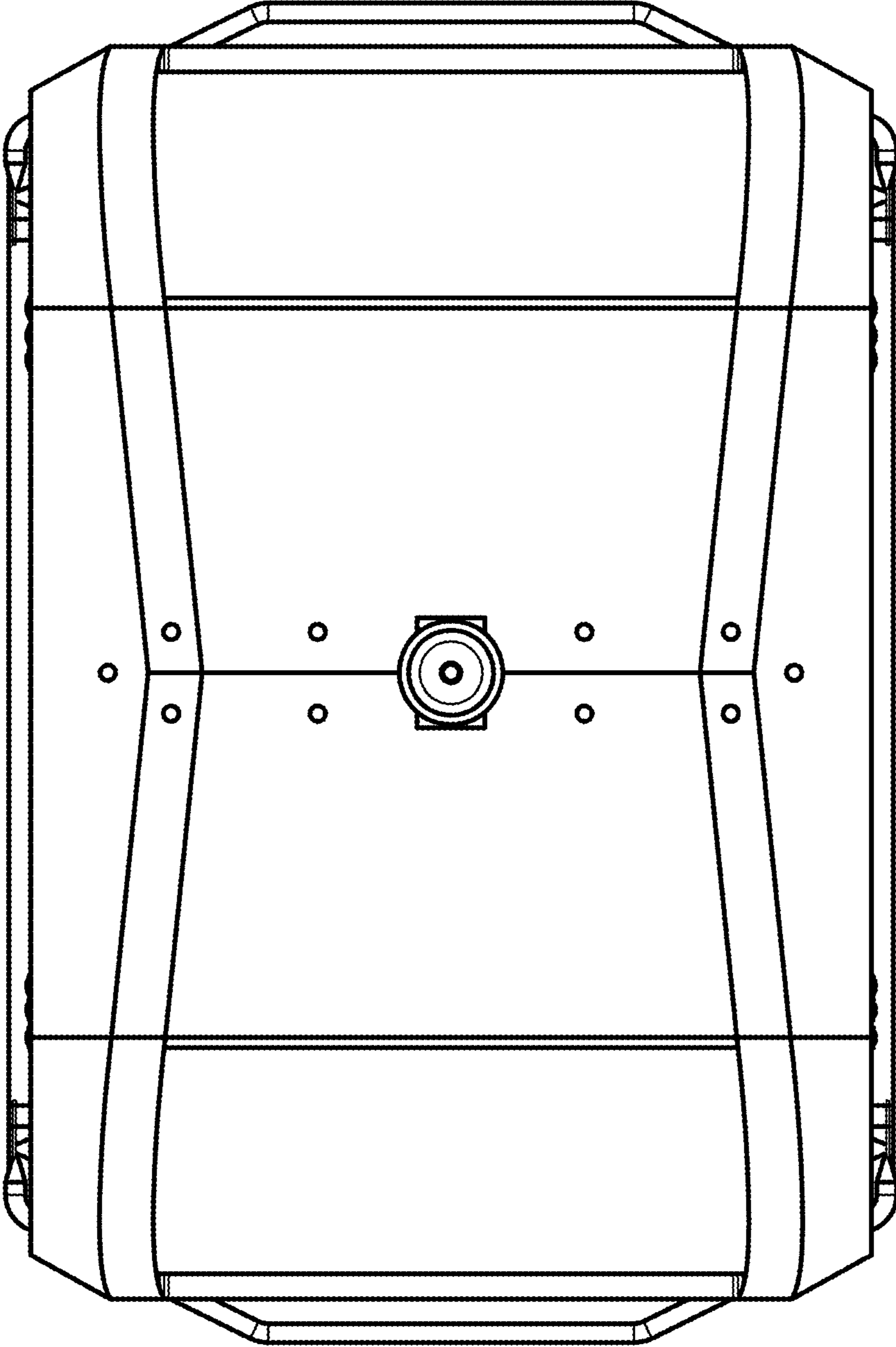


FIG. 4

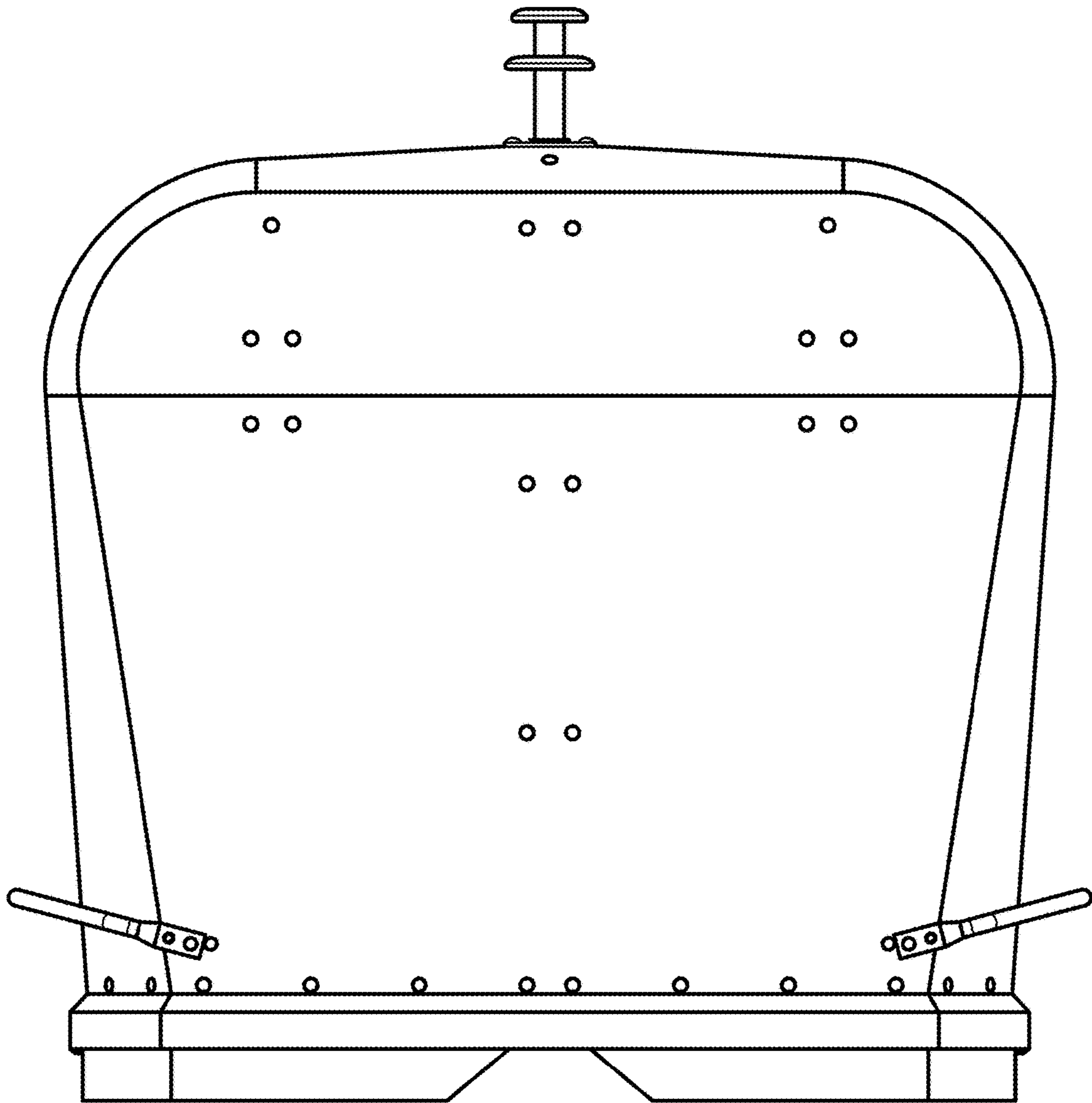


FIG. 5

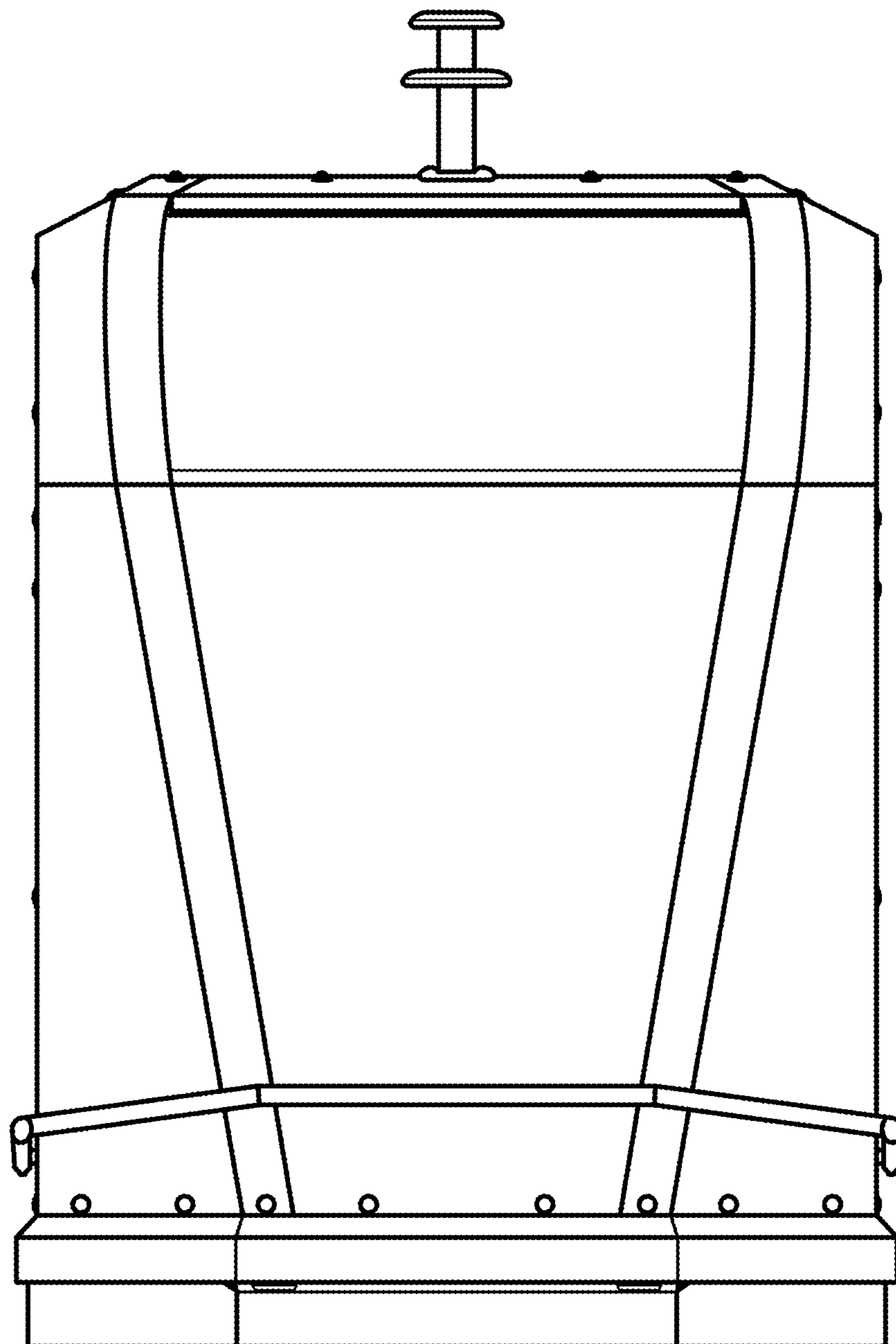


FIG. 6

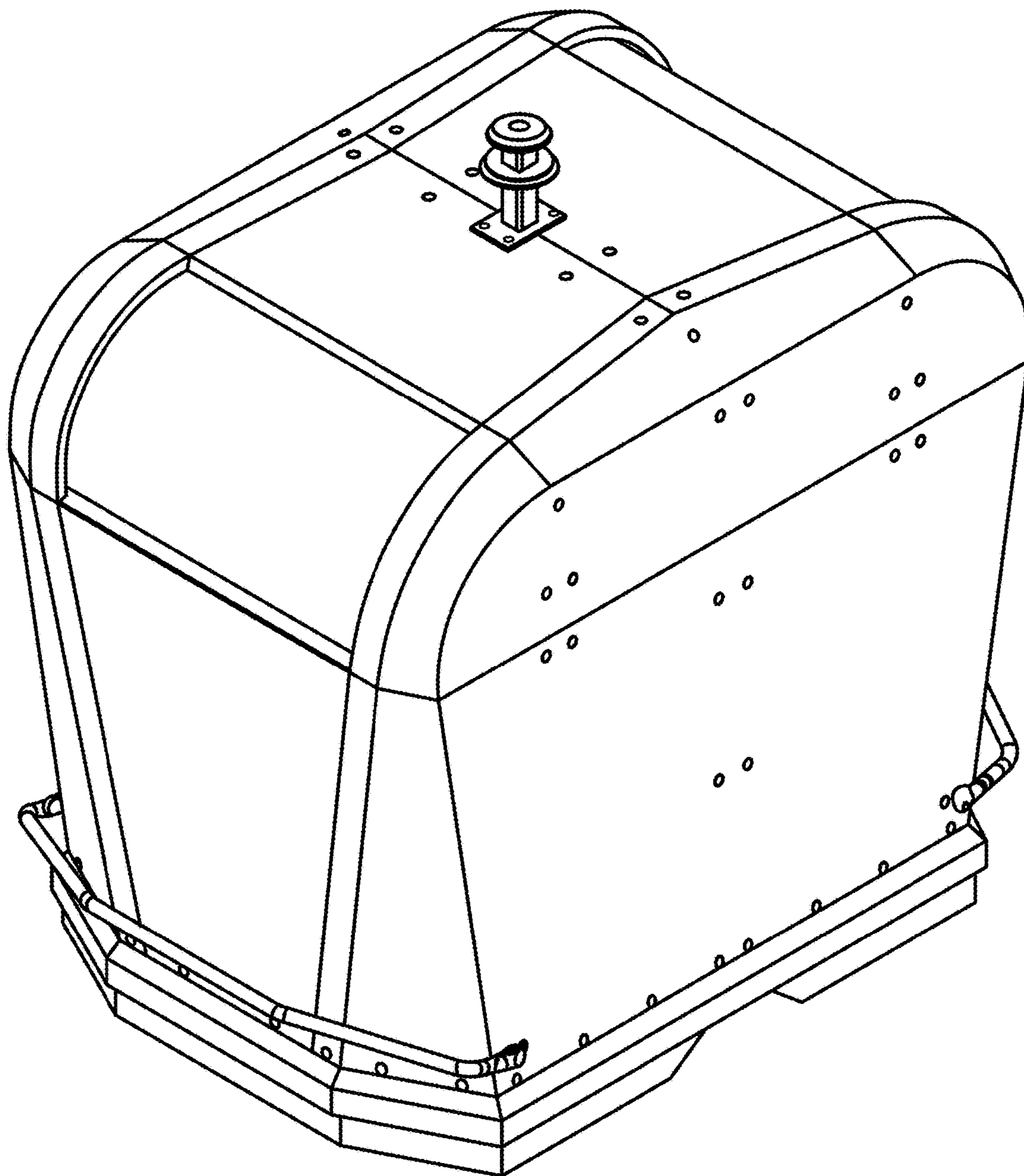


FIG. 7

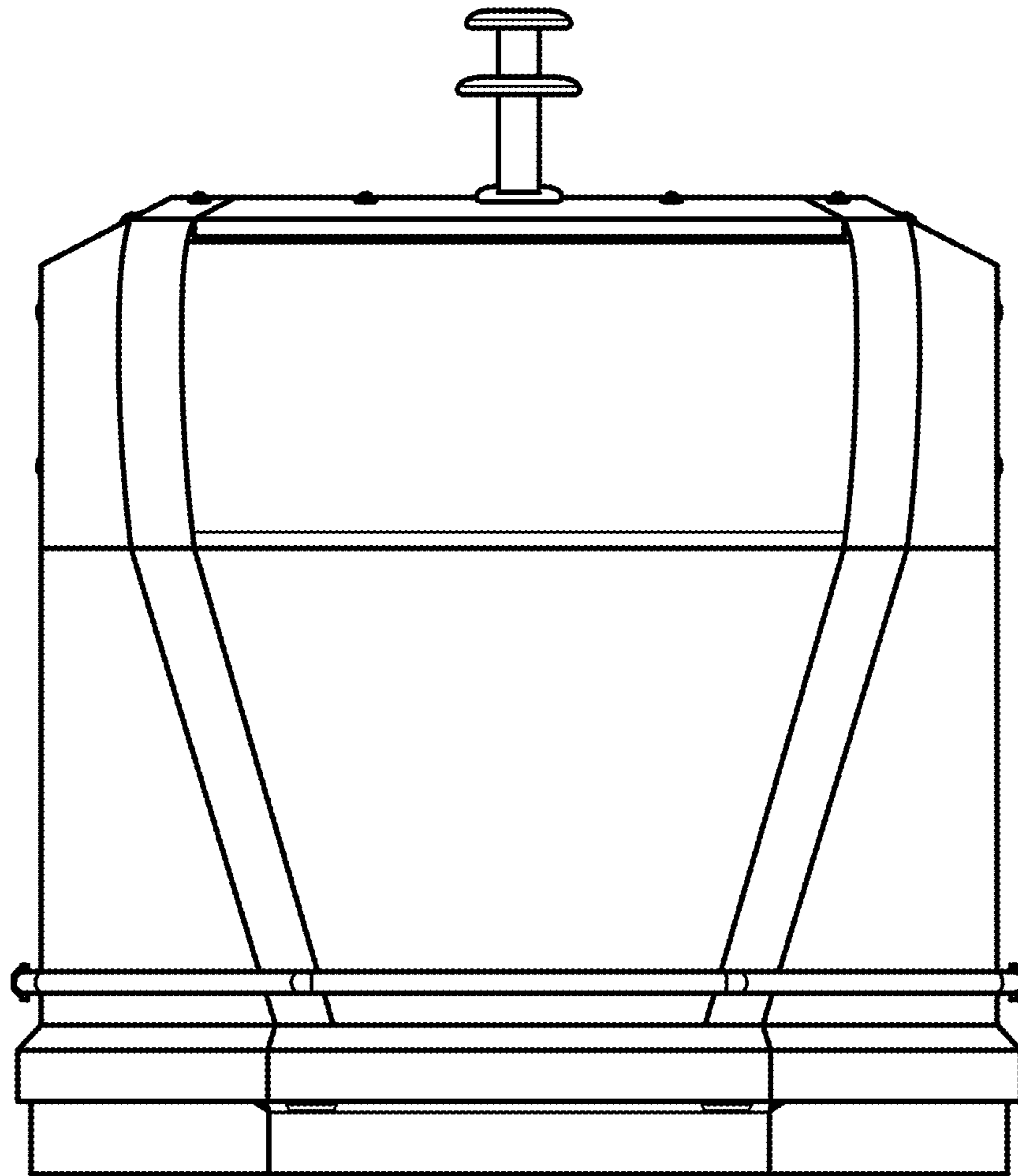


FIG. 8

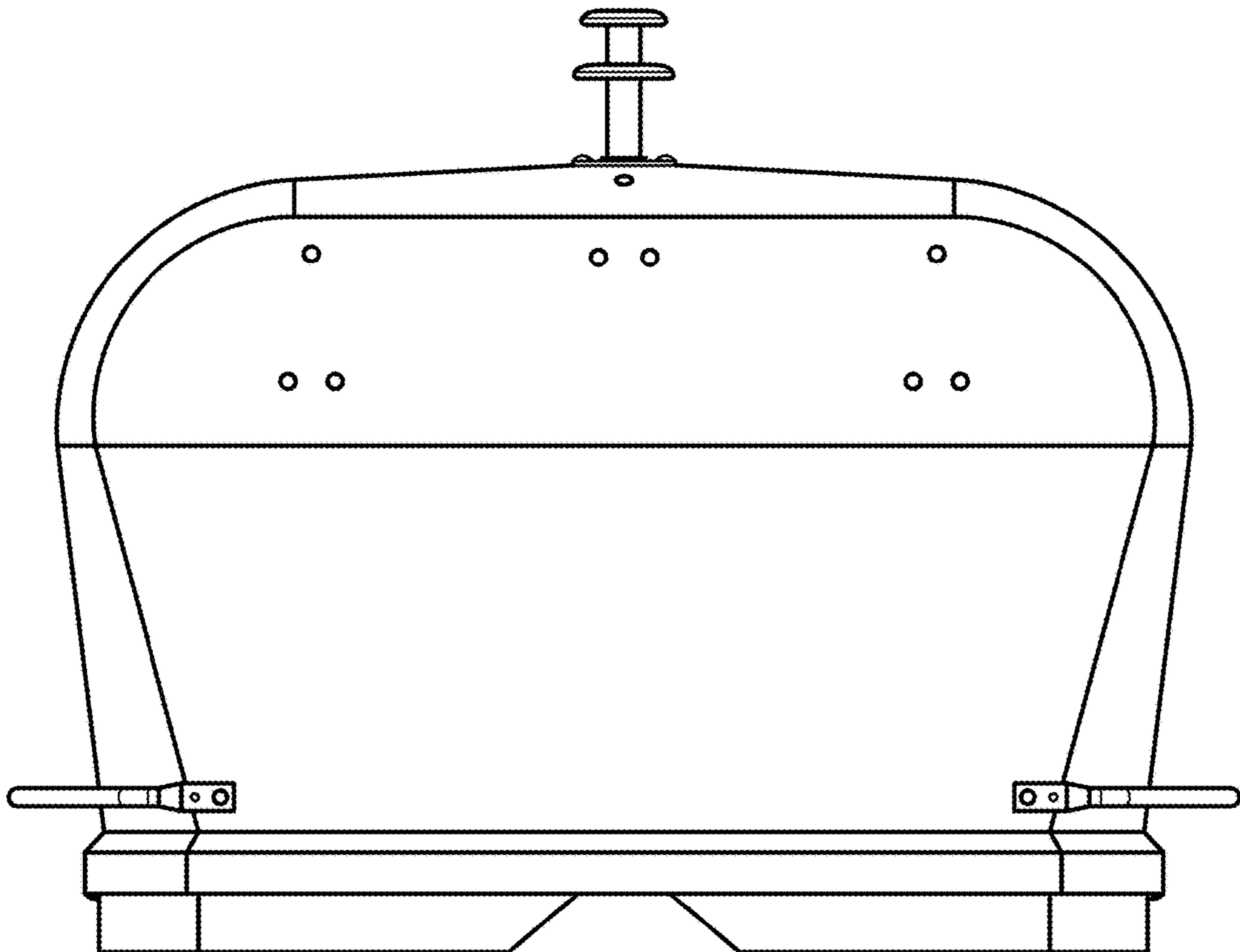


FIG. 9

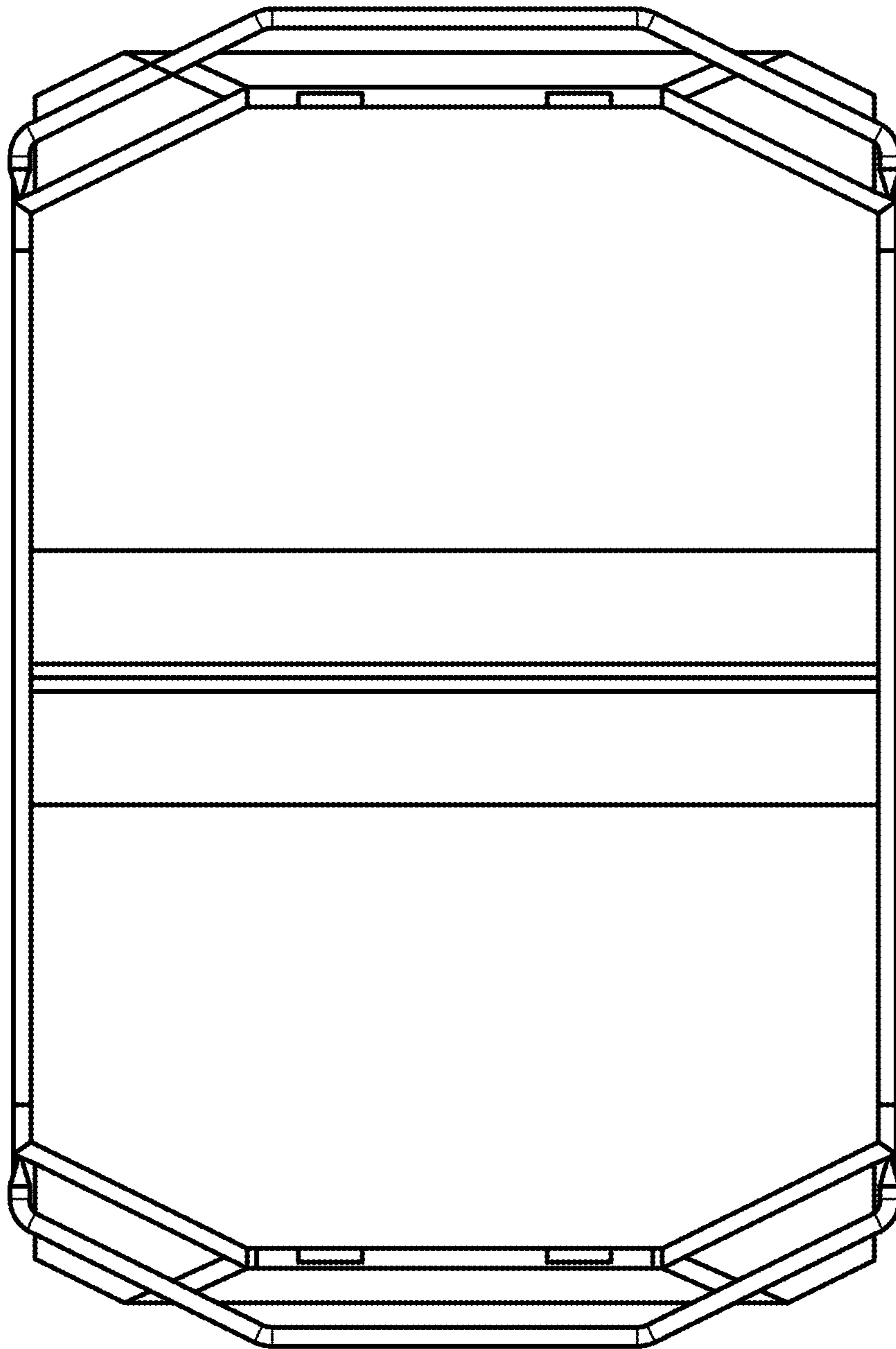


FIG. 10

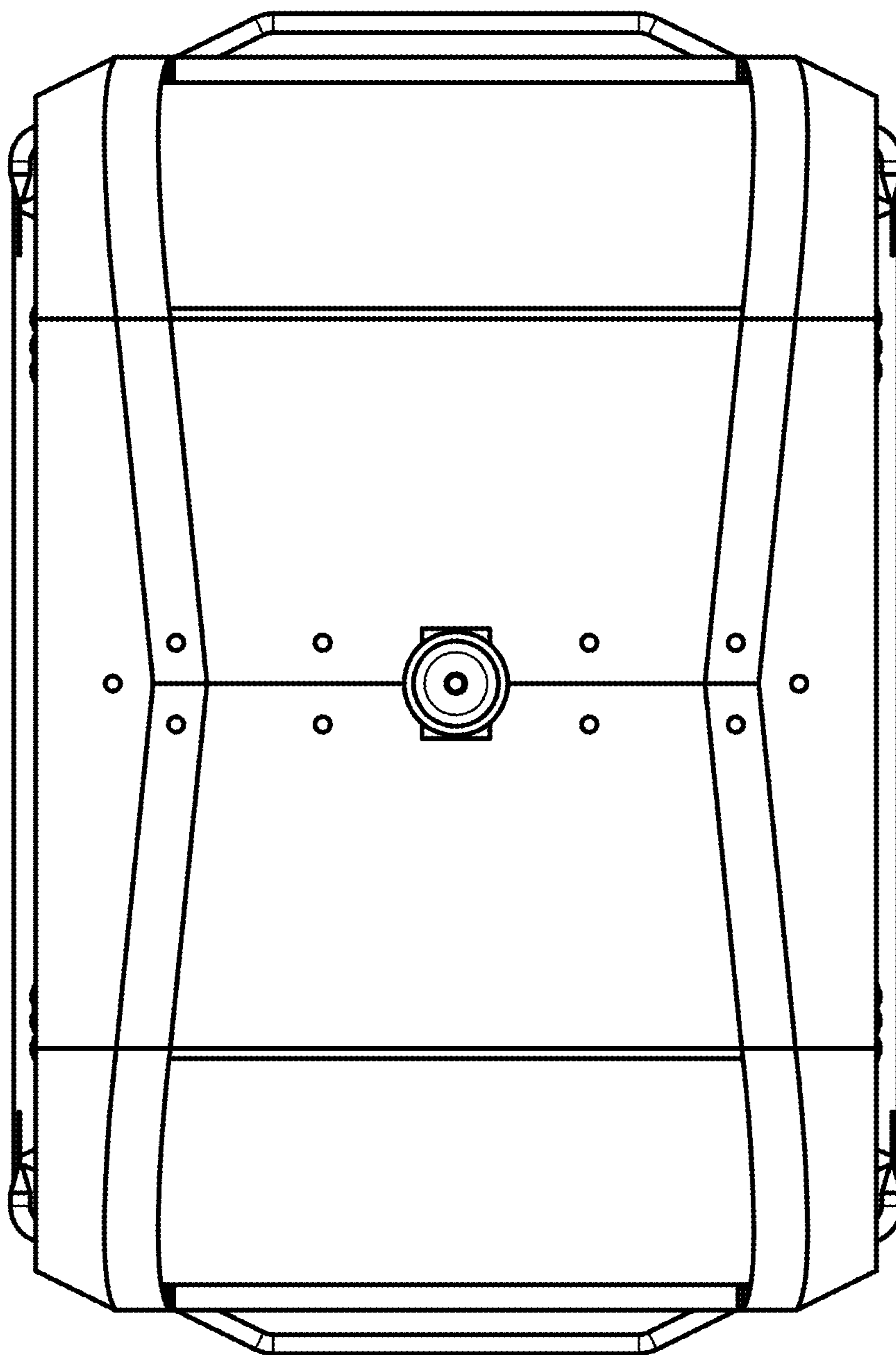


FIG. 11

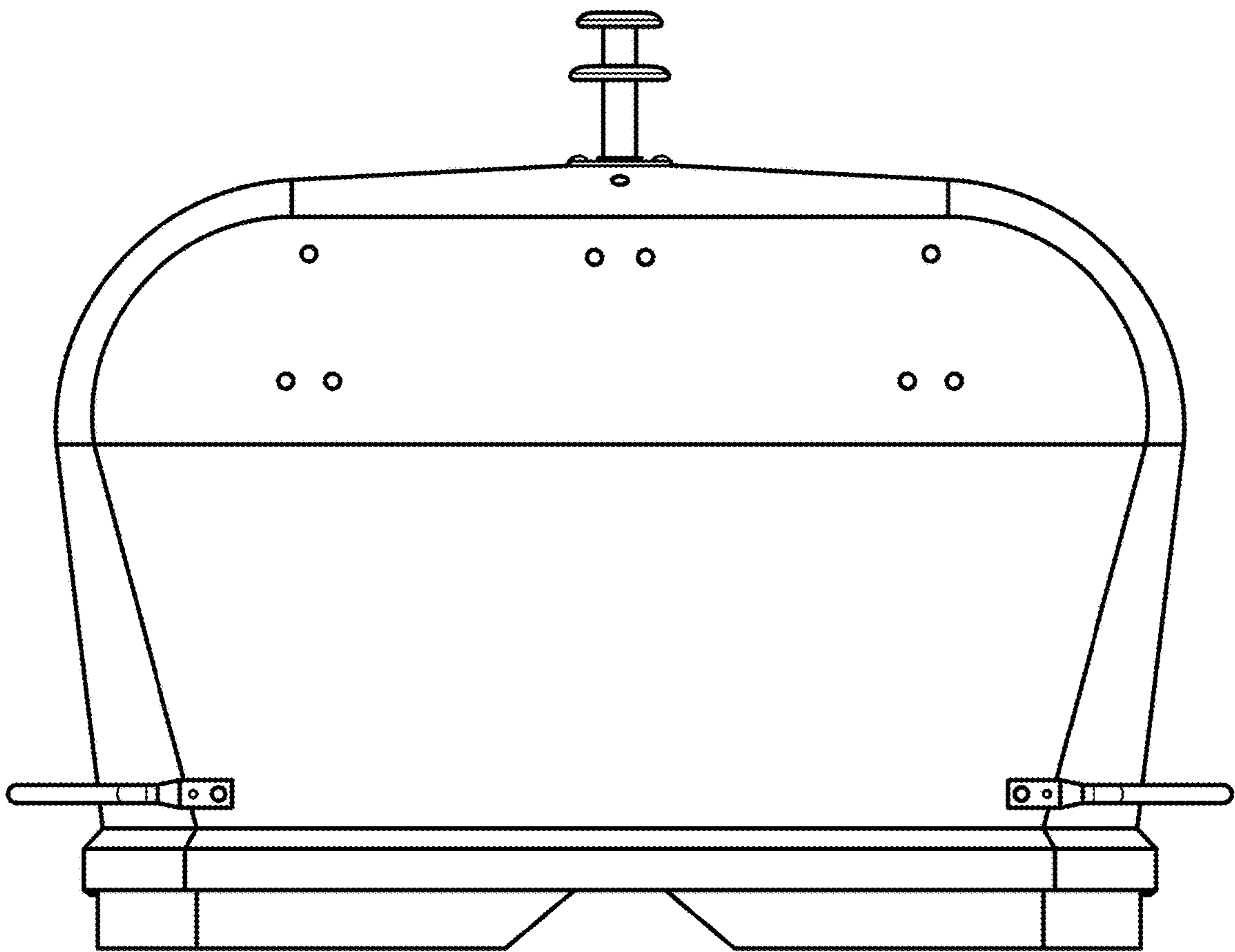


FIG.12

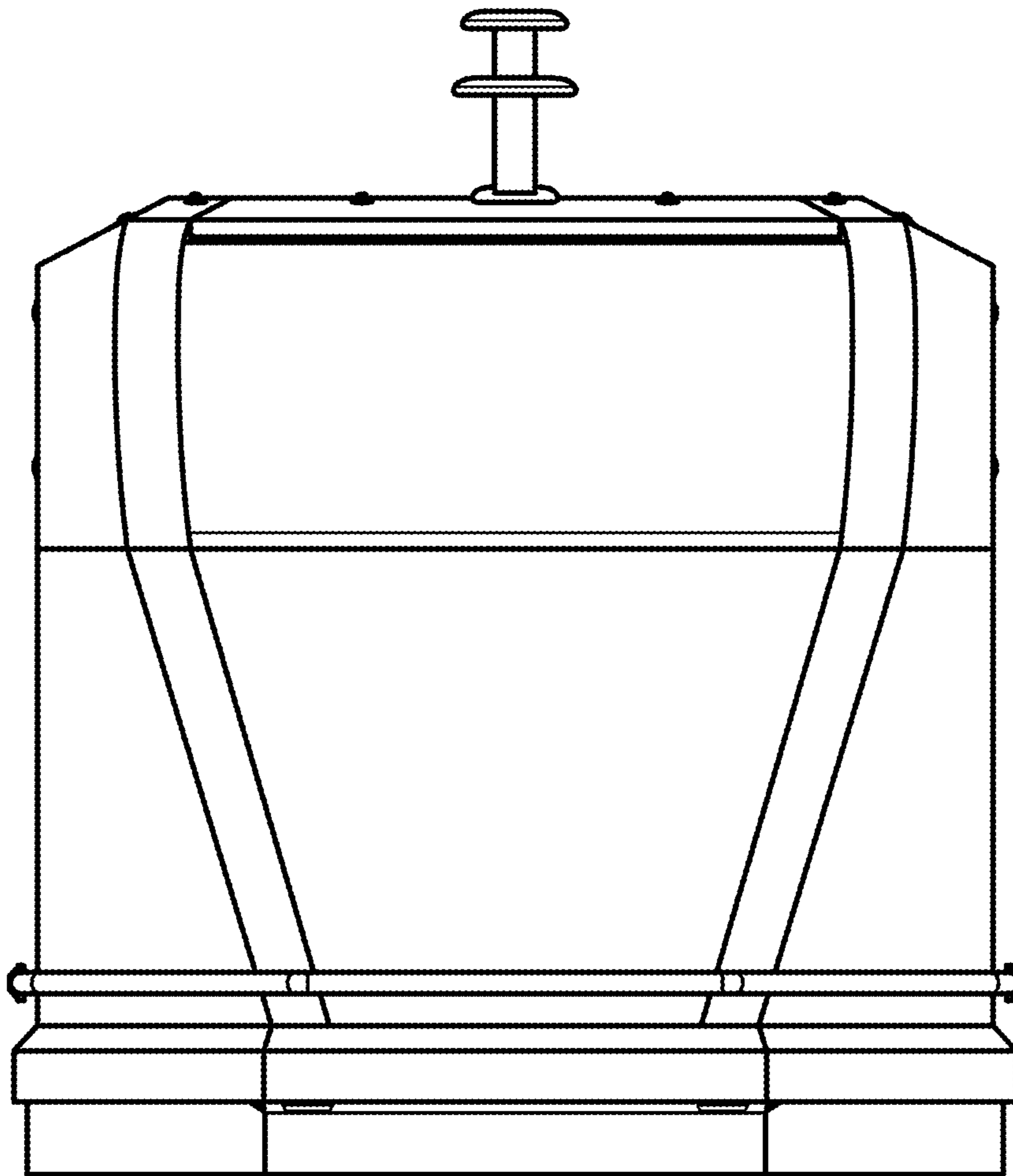


FIG. 13

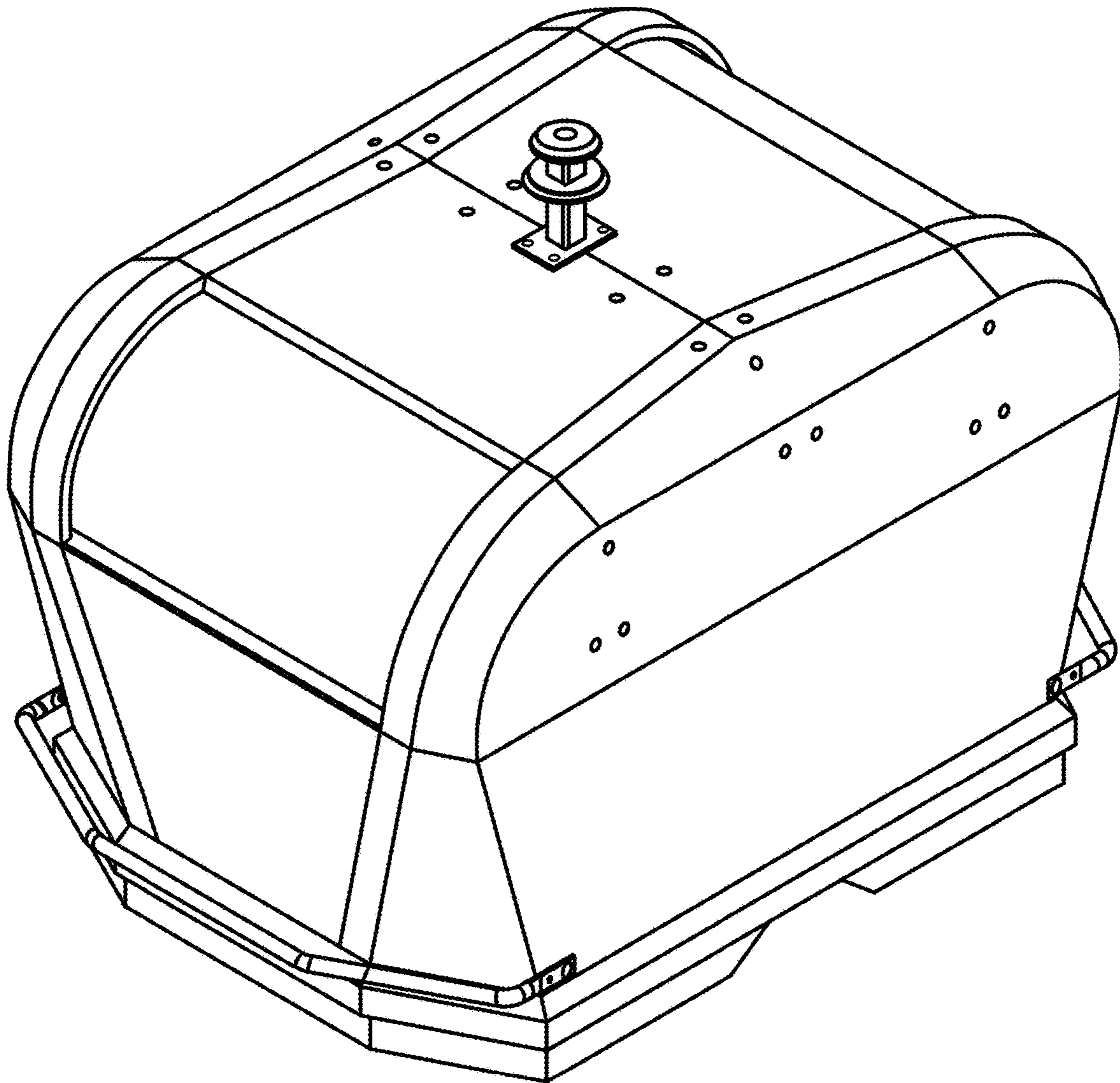


FIG. 14