



US00D793013S

(12) **United States Design Patent**
Kang et al.

(10) **Patent No.:** **US D793,013 S**
(45) **Date of Patent:** **** Jul. 25, 2017**

(54) **DRUM WASHING MACHINE**
(71) Applicant: **SAMSUNG ELECTRONICS CO., LTD.**, Suwon-si (KR)
(72) Inventors: **Yoonjong Kang**, Seoul (KR); **Kisang Yoon**, Daejeon (KR); **Deoksang Yun**, Uiwang-si (KR); **Sanghun Yoon**, Seoul (KR); **Jaewon Choi**, Seoul (KR); **Junghoon Hwang**, Yongin-si (KR); **Seyoun Park**, Seoul (KR)

D703,886 S * 4/2014 Ha D32/6
D729,996 S * 5/2015 Hwang et al.
D732,763 S * 6/2015 Hwang et al.
D732,767 S * 6/2015 Ha D32/25
D739,097 S * 9/2015 Qin D32/6
D770,705 S * 11/2016 Kang D32/6
D772,499 S * 11/2016 Lee D32/6
D772,500 S * 11/2016 Yoon D32/6
D772,502 S * 11/2016 Choi D32/6

(Continued)

(73) Assignee: **SAMSUNG ELECTRONICS CO., LTD.**, Gyeonggi-Do (KR)

KR 300860486 S 6/2016

FOREIGN PATENT DOCUMENTS

(**) Term: **15 Years**

(21) Appl. No.: **29/568,264**

(22) Filed: **Jun. 16, 2016**

(51) **LOC (10) Cl.** **15-05**

(52) **U.S. Cl.**
USPC **D32/6**

(58) **Field of Classification Search**
USPC D32/1, 5, 6, 8, 10, 11, 25, 28, 29;
312/228; 68/27, 11, 38, 20, 3 R, 5 R
CPC D06F 21/10; D06F 21/02; D06F 21/00;
D06F 21/12; D06F 21/04; D06F 21/06;
D06F 21/08; D06F 3/02; D06F 3/06;
D06F 3/028; D06F 3/04; D06F 3/065
See application file for complete search history.

OTHER PUBLICATIONS

Korean Office Action with English Translation for Application No. 30-2015-0066225 dated Mar. 18, 2016.

Primary Examiner — Susan Bennett Hattan

Assistant Examiner — Rebecca Tsehaye

(74) *Attorney, Agent, or Firm* — Cantor Colburn LLP

(57) **CLAIM**

The ornamental design for a drum washing machine, as shown and described.

DESCRIPTION

FIG. 1 is a perspective view of a drum washing machine, showing our new design;
FIG. 2 is a front view thereof;
FIG. 3 is a rear view thereof;
FIG. 4 is a side view thereof;
FIG. 5 is another side view thereof;
FIG. 6 is a top view thereof;
FIG. 7 is a bottom view thereof; and,
FIG. 8 is another perspective view thereof in an alternate configuration.

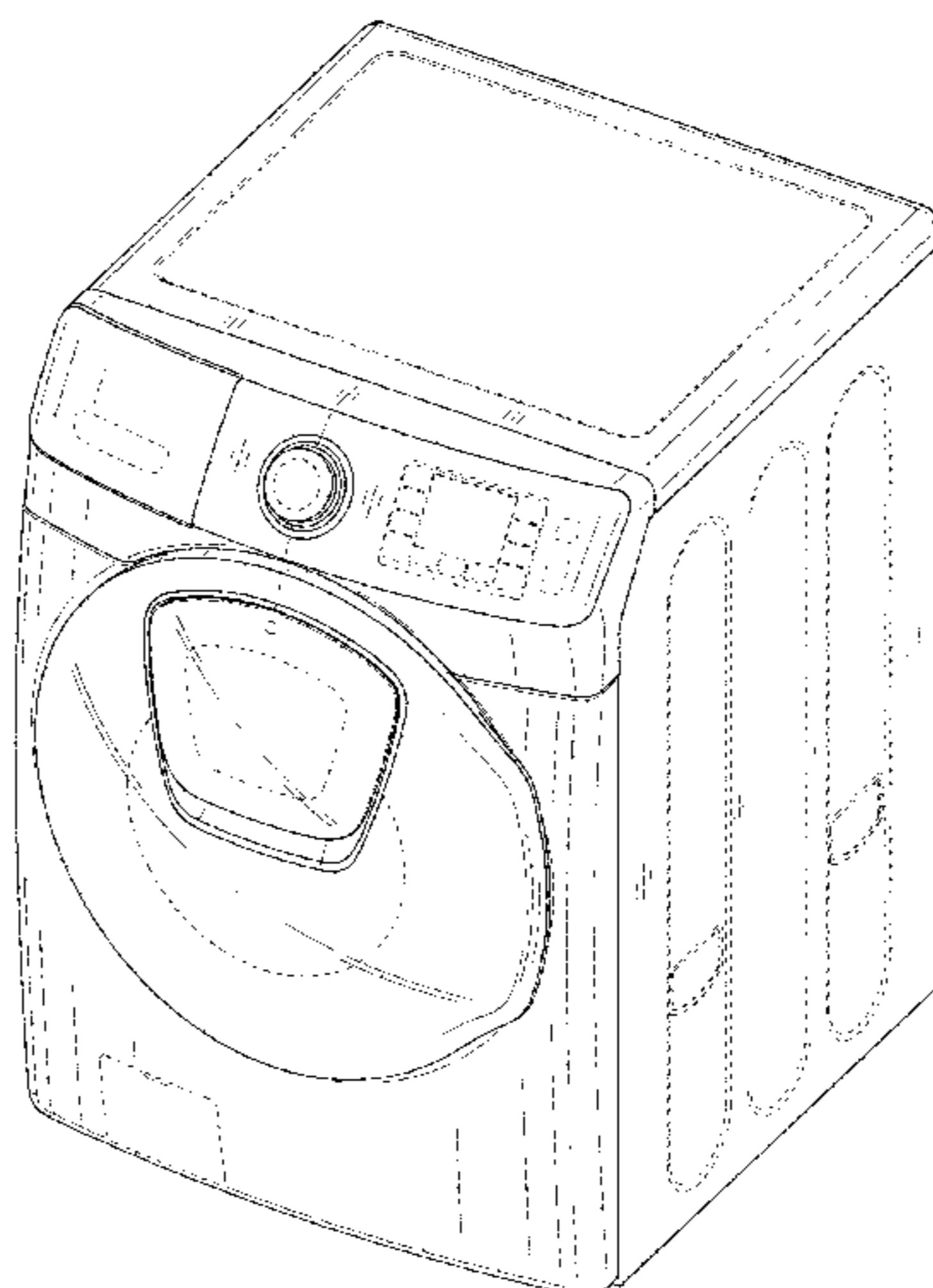
The broken lines in the figures illustrating portions of the drum washing machine form no part of the claimed design.

1 Claim, 8 Drawing Sheets

(56) **References Cited**

U.S. PATENT DOCUMENTS

D588,757 S 3/2009 Park et al.
D620,650 S * 7/2010 Lee D32/6
D625,476 S * 10/2010 Lee D32/6
D626,299 S 10/2010 Lee et al.
D648,907 S * 11/2011 Jeon D32/6
D649,722 S * 11/2011 Chung D32/6
D659,307 S 5/2012 Geyer et al.
D703,885 S * 4/2014 Ha D32/6



(56)

References Cited

U.S. PATENT DOCUMENTS

D773,128 S	11/2016	Kim et al.	
D773,753 S *	12/2016	Kim	D32/6
D773,754 S *	12/2016	Choi	D32/6
D774,714 S *	12/2016	Kang	D32/6

* cited by examiner

FIG. 1

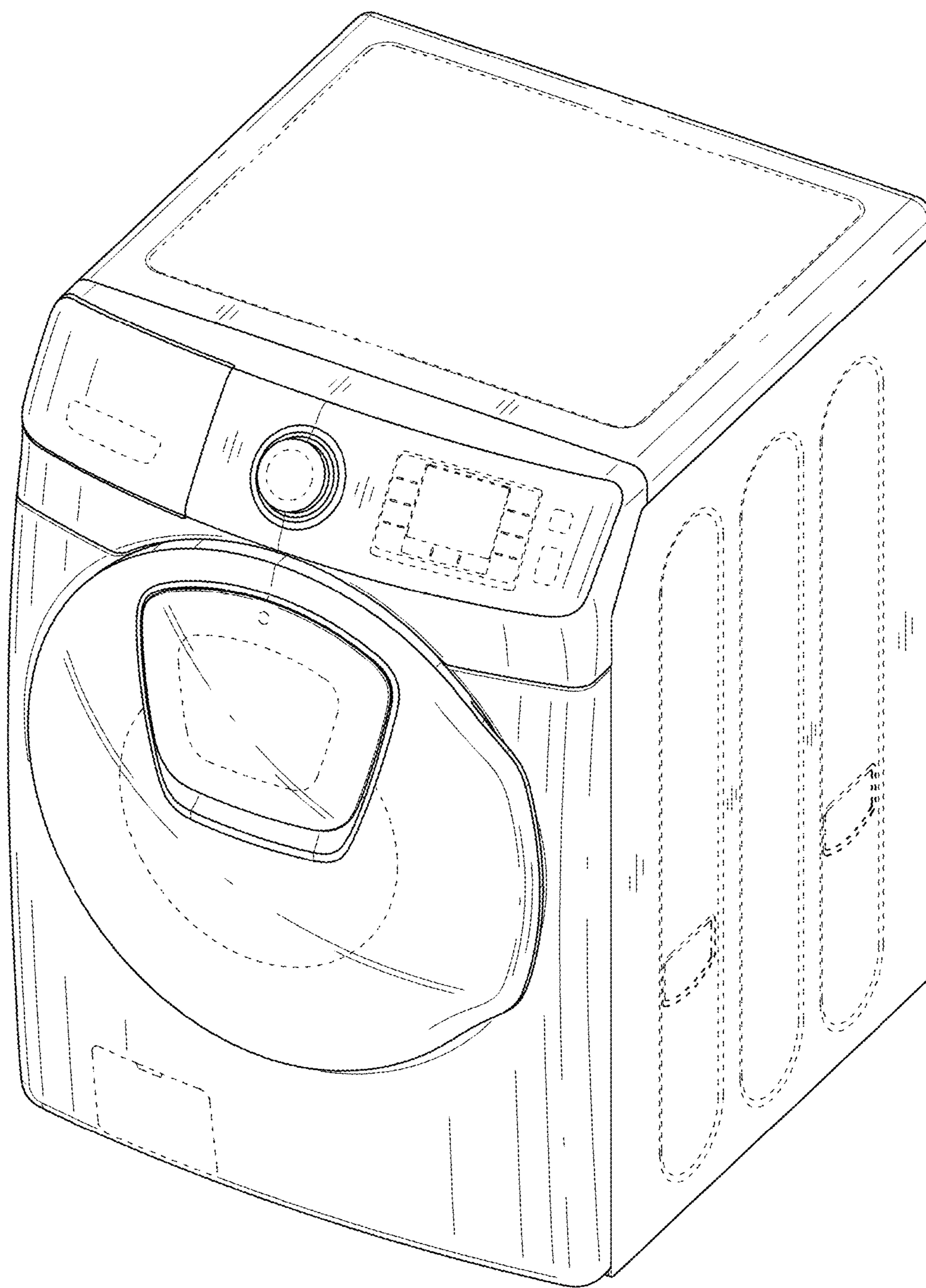


FIG. 2

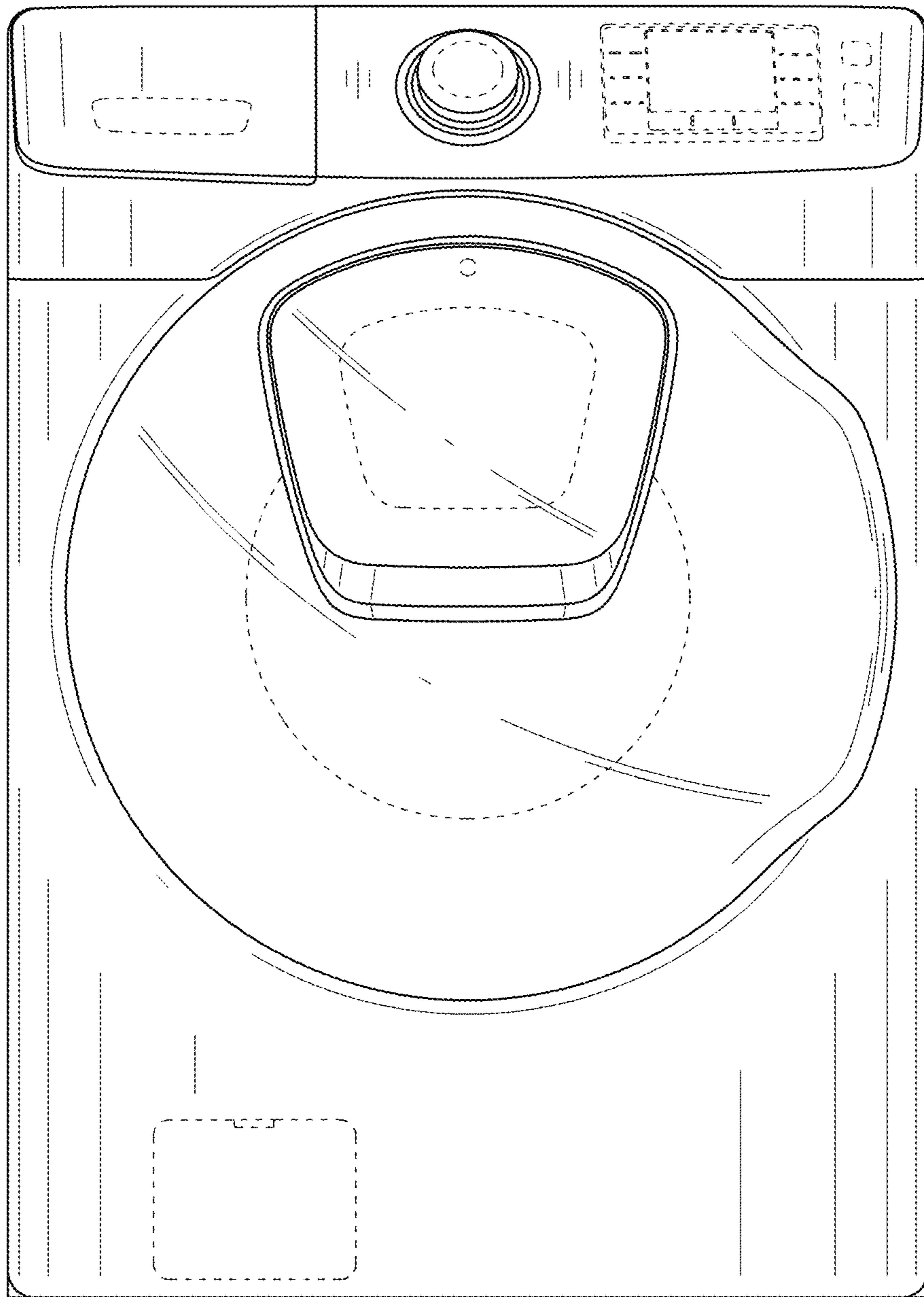


FIG. 3

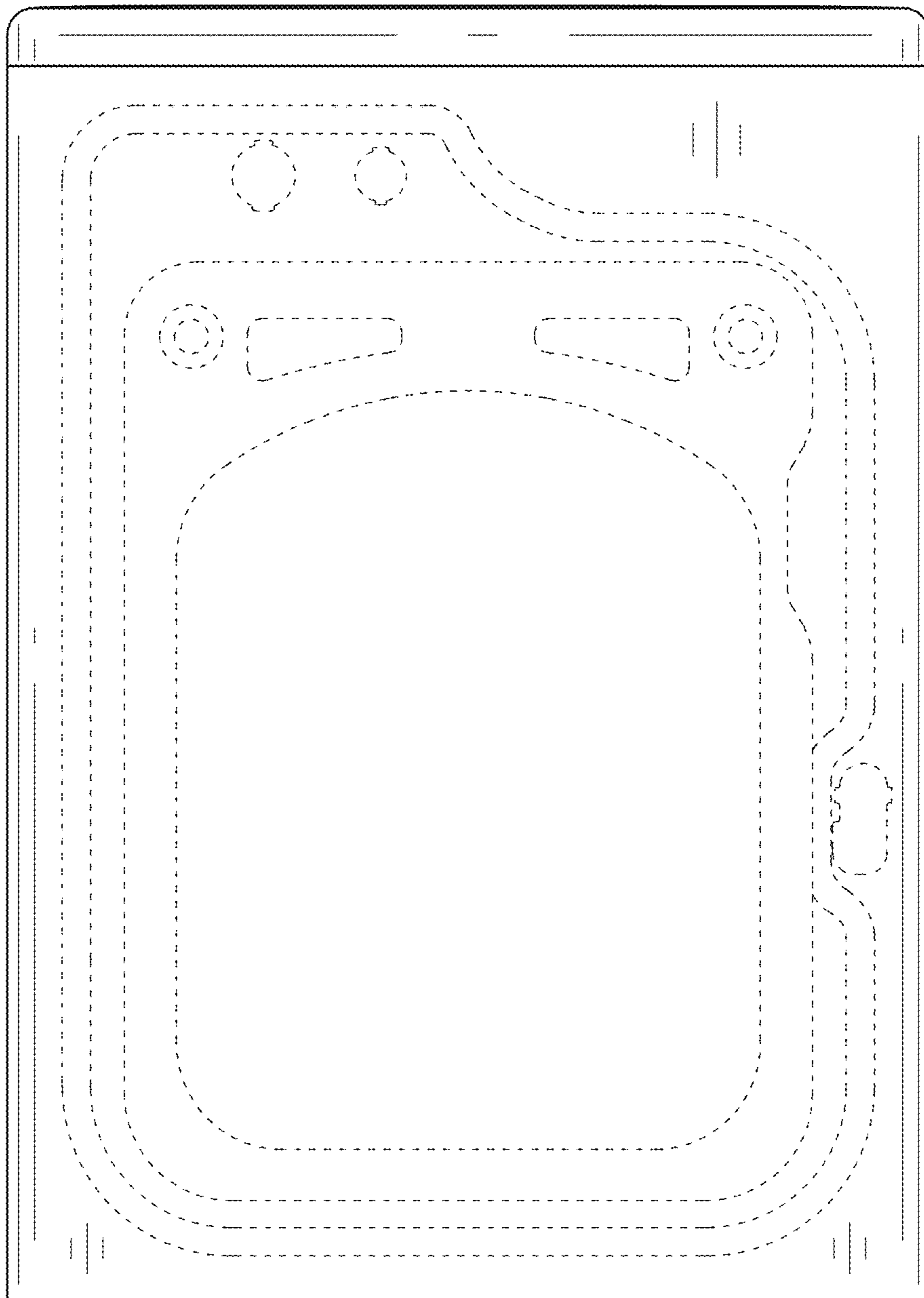


FIG. 4

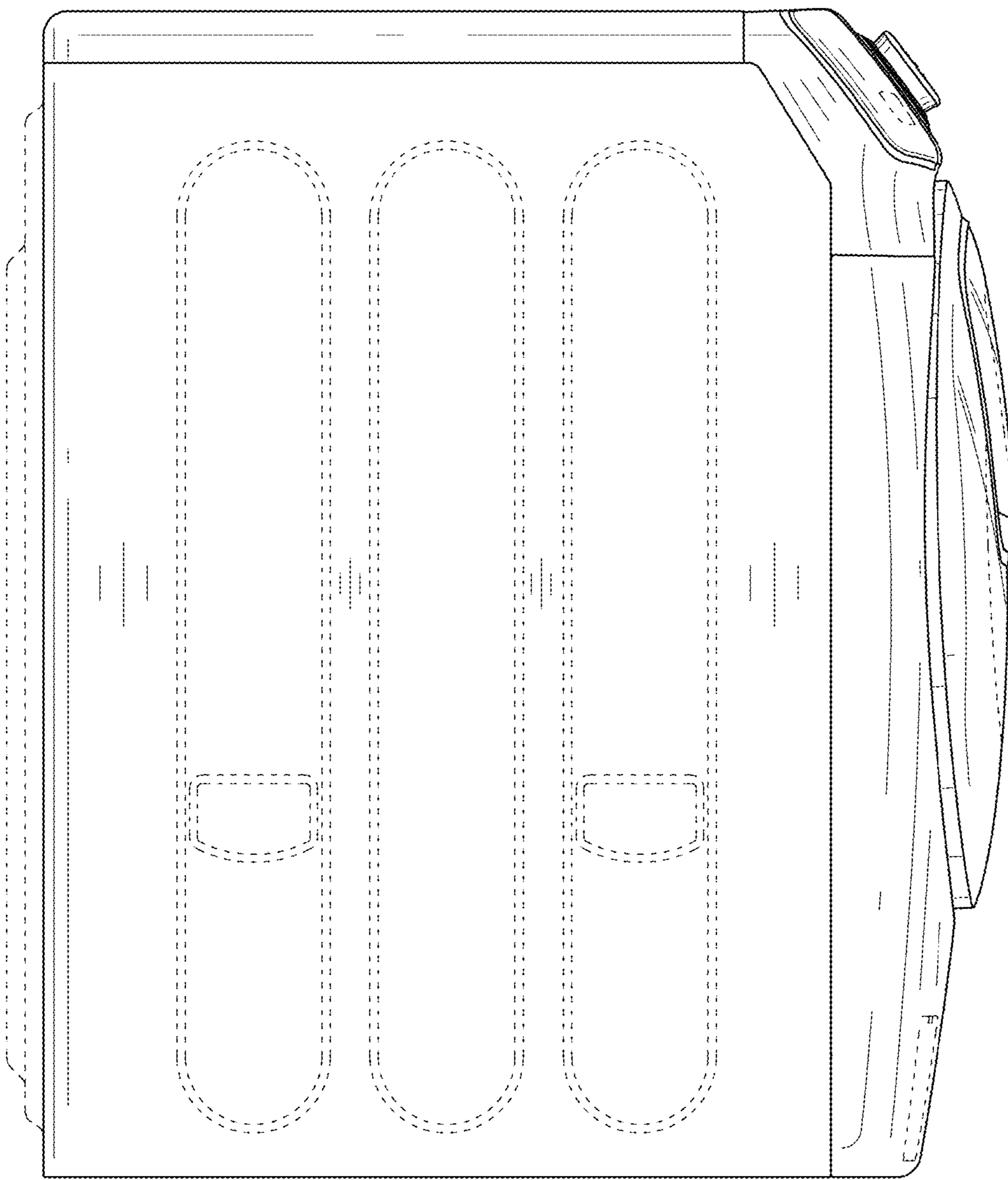


FIG. 5

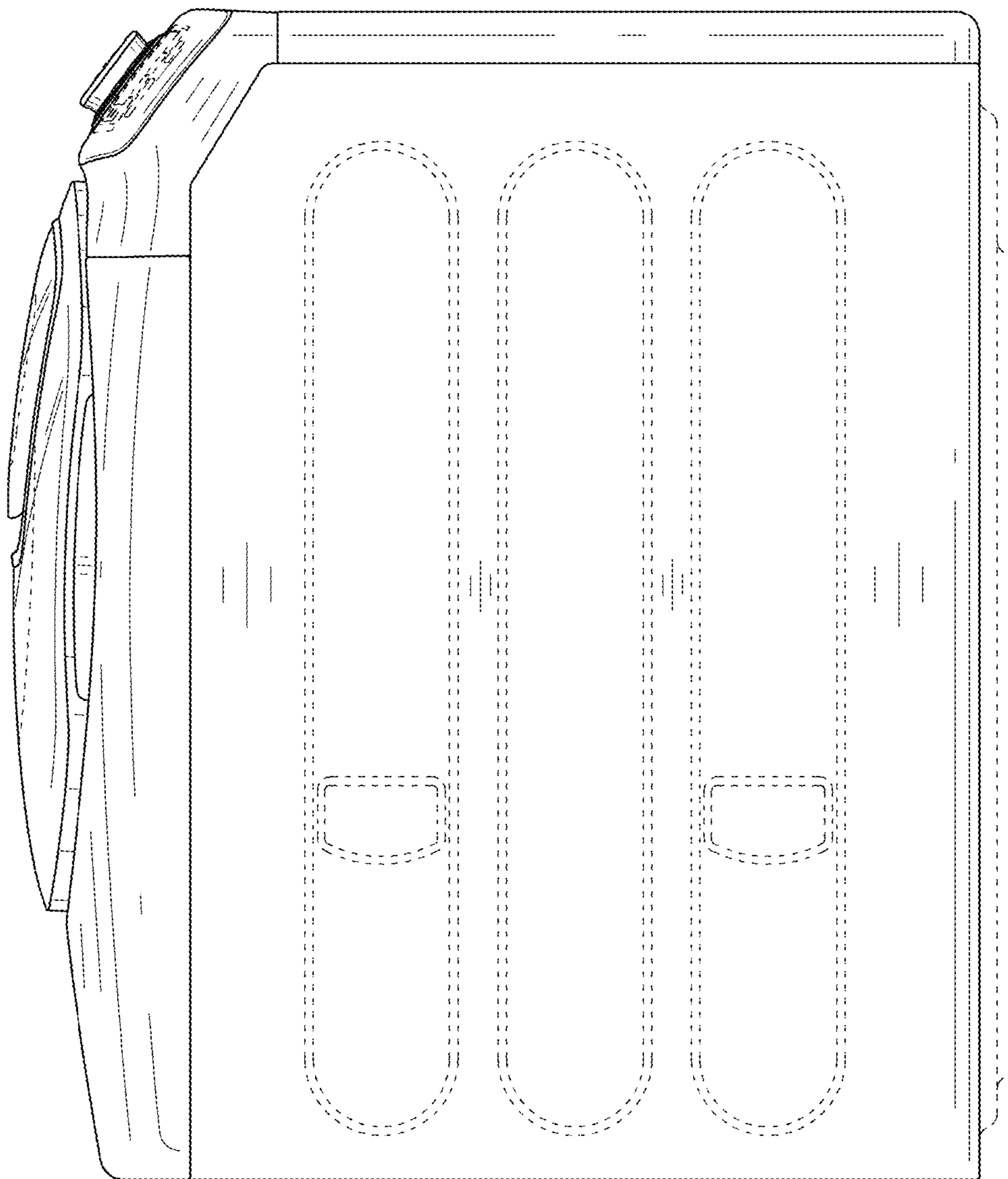


FIG. 6

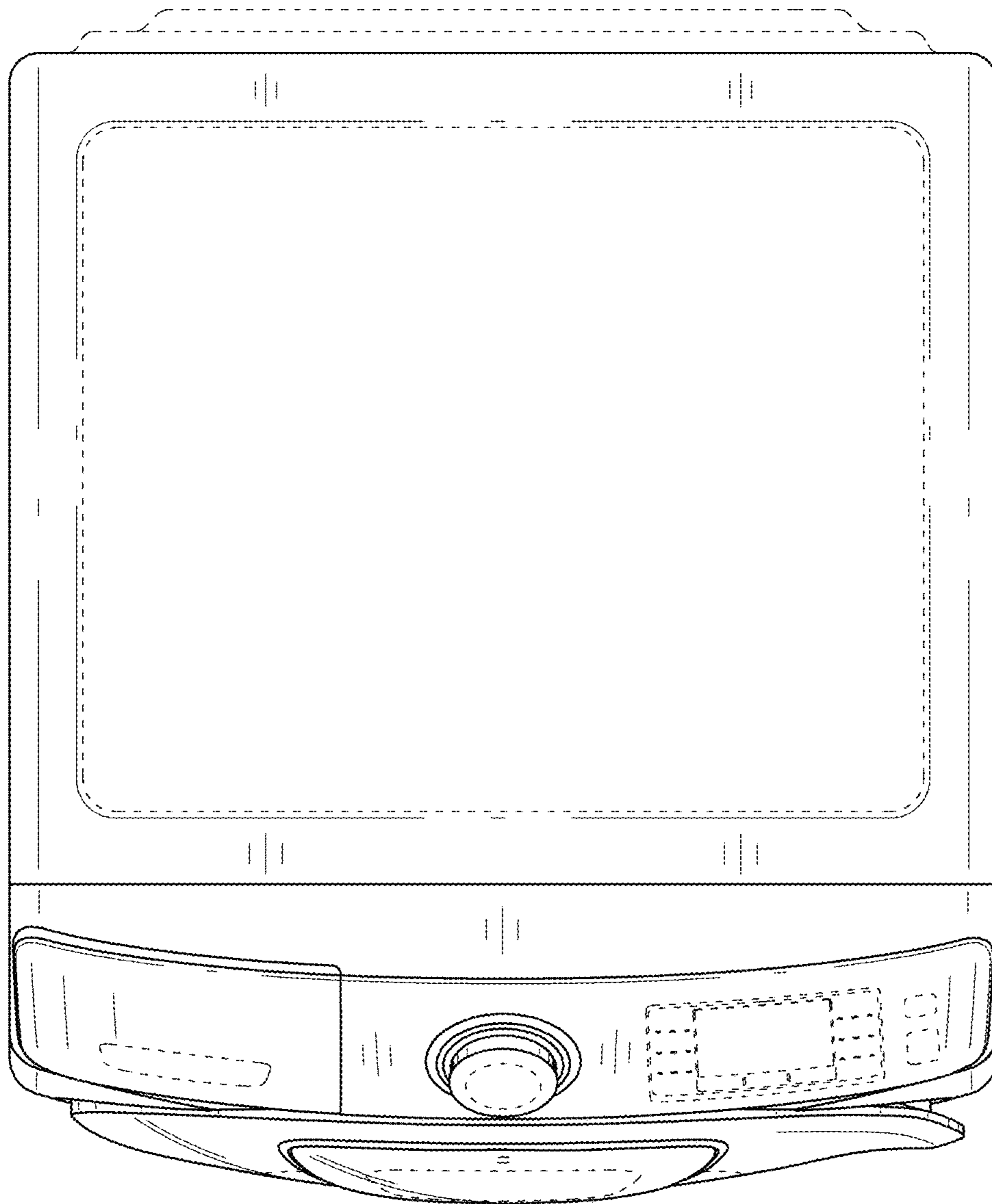


FIG. 7

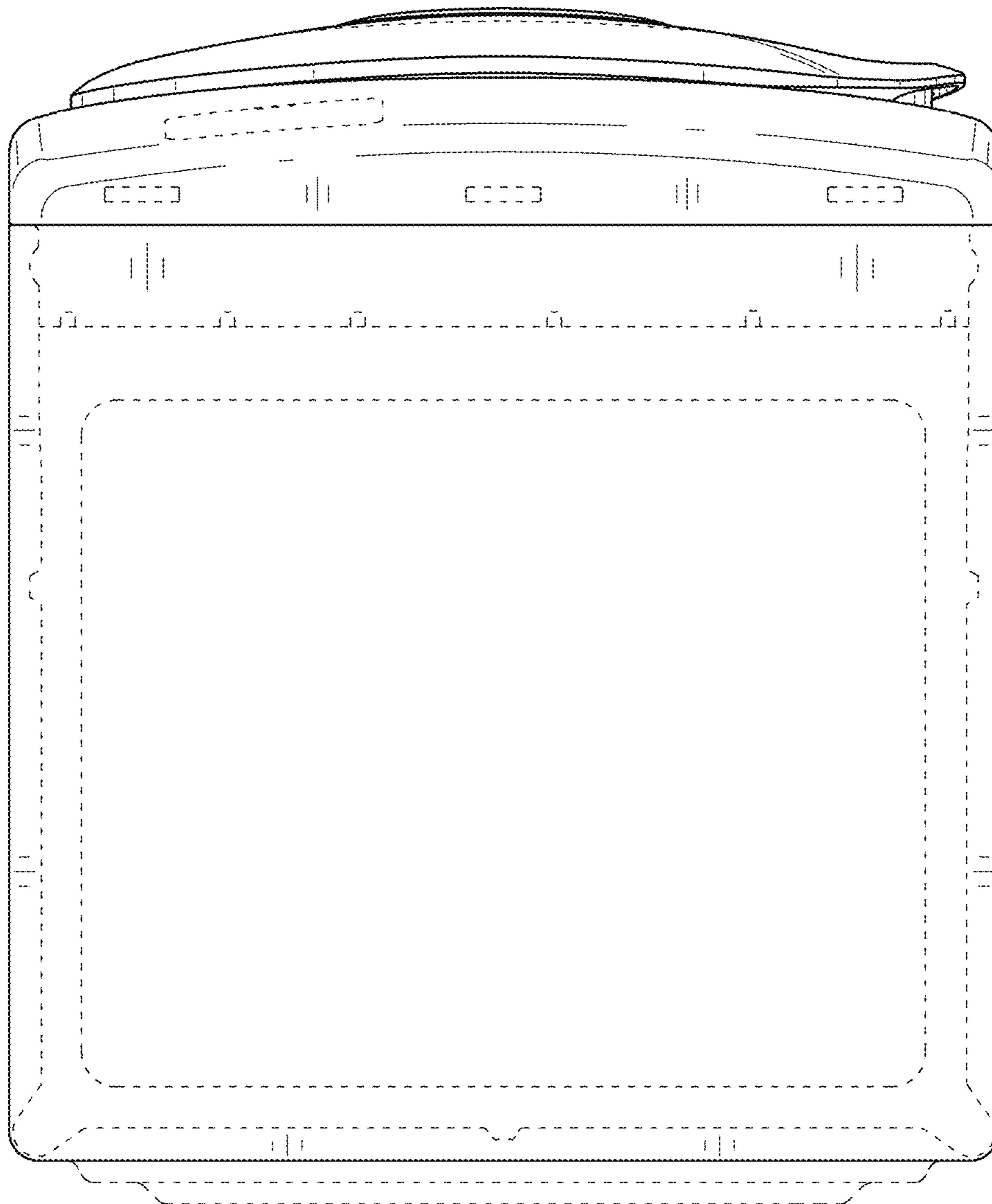
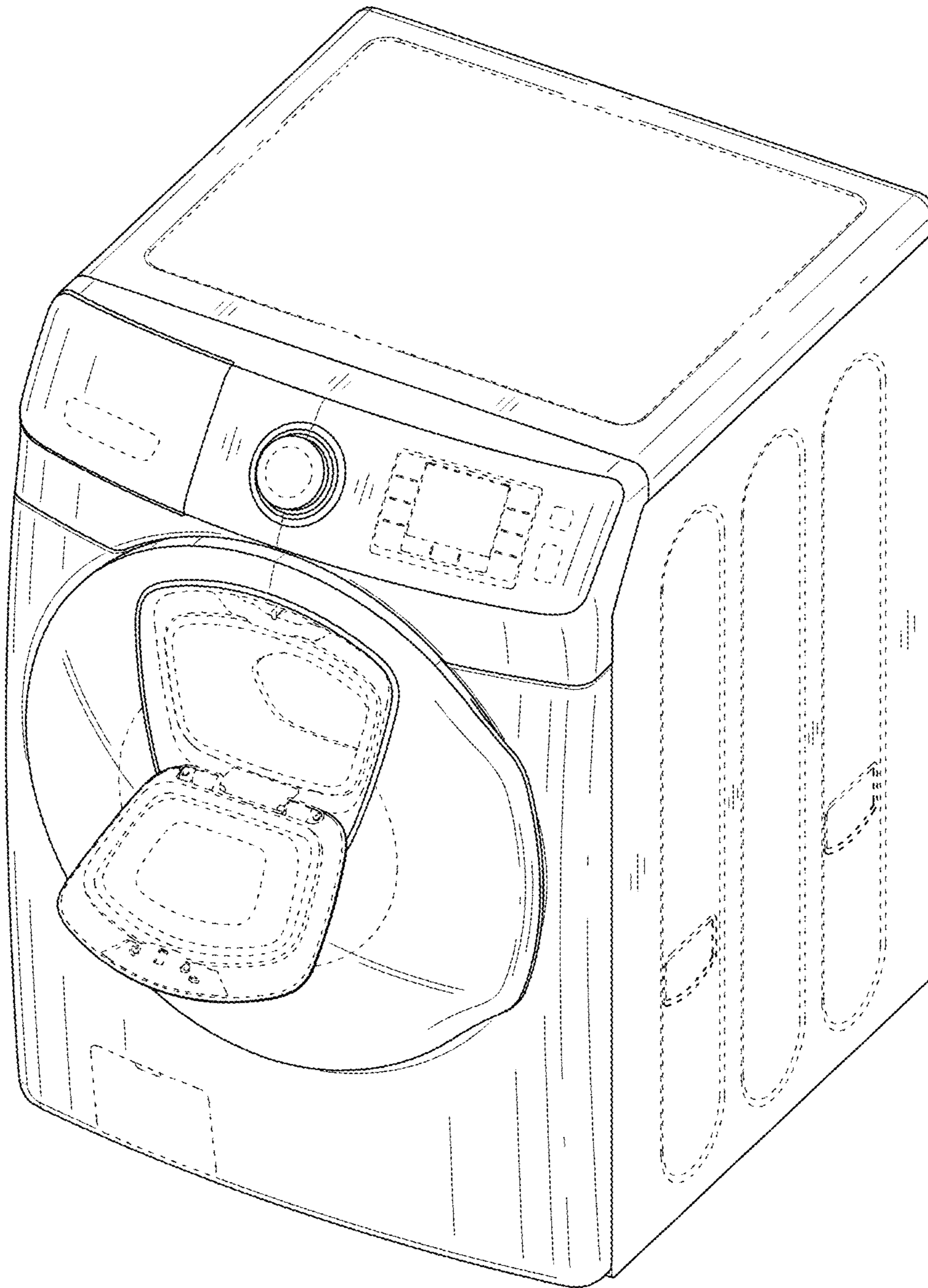


FIG. 8



UNITED STATES PATENT AND TRADEMARK OFFICE
CERTIFICATE OF CORRECTION

PATENT NO. : D793,013 S
APPLICATION NO. : 29/568264
DATED : July 25, 2017
INVENTOR(S) : Yoonjong Kang et al.

Page 1 of 1

It is certified that error appears in the above-identified patent and that said Letters Patent is hereby corrected as shown below:

On the Title Page

Item (30) Foreign Application Priority Data:
Add Dec. 24, 2015 Korea 30-2015-0066225

Signed and Sealed this
Fifth Day of September, 2017



Joseph Matal
*Performing the Functions and Duties of the
Under Secretary of Commerce for Intellectual Property and
Director of the United States Patent and Trademark Office*