



US00D793012S

(12) **United States Design Patent** (10) **Patent No.:** **US D793,012 S**
Bixby et al. (45) **Date of Patent:** **** Jul. 25, 2017**

(54) **TOPLOAD WASHING APPLIANCE**

(71) Applicant: **Whirlpool Corporation**, Benton Harbor, MI (US)

(72) Inventors: **Seth E. Bixby**, Stevensville, MI (US); **Richard K. Gresens**, Saint Joseph, MI (US); **John W. McConnell**, Saint Joseph, MI (US); **Patrick J. Schiavone**, Benton Harbor, MI (US); **Samuel B. Breneman**, Saint Joseph, MI (US)

(73) Assignee: **Whirlpool Corporation**, Benton Harbor, MI (US)

(**) Term: **14 Years**

(21) Appl. No.: **29/499,777**

(22) Filed: **Aug. 19, 2014**

(51) **LOC (10) Cl.** **15-05**

(52) **U.S. Cl.**
USPC **D32/6**

(58) **Field of Classification Search**
USPC D32/1, 5, 6, 8, 12, 25, 28, 29
CPC D06F 33/02; D06F 39/02; D06F 2204/065;
D06F 25/00; D06F 35/006; D06F 58/00;
D06F 58/02; D06F 58/04; D06F 58/20;
D06F 23/04; D06F 39/12; D06F 39/022;
G05B 19/042

See application file for complete search history.

(56) **References Cited**

U.S. PATENT DOCUMENTS

- 4,307,588 A * 12/1981 Smith D06F 39/12
312/257.1
- 4,429,817 A * 2/1984 Ikeda D06F 39/022
222/252
- D359,602 S * 6/1995 Swartz D32/6
- D360,500 S * 7/1995 Millet D32/5
- D380,883 S * 7/1997 Katz D32/25

- D446,891 S * 8/2001 Kim D32/6
- D465,308 S * 11/2002 Resuello D32/6
- D491,324 S * 6/2004 Kim D32/6
- D492,073 S * 6/2004 Sneddon D32/6
- D527,150 S * 8/2006 Jun D32/6
- D527,853 S * 9/2006 Carey D32/6
- D532,941 S * 11/2006 Carey D32/6
- D536,144 S * 1/2007 Seo D32/6
- D538,488 S * 3/2007 Carey D32/6
- D542,487 S * 5/2007 Jun D32/6
- D554,307 S * 10/2007 Kim D32/6

(Continued)

Primary Examiner — Michael A Pratt

Assistant Examiner — Michelle E Wilson

(74) *Attorney, Agent, or Firm* — Price Heneveld LLP

(57) **CLAIM**

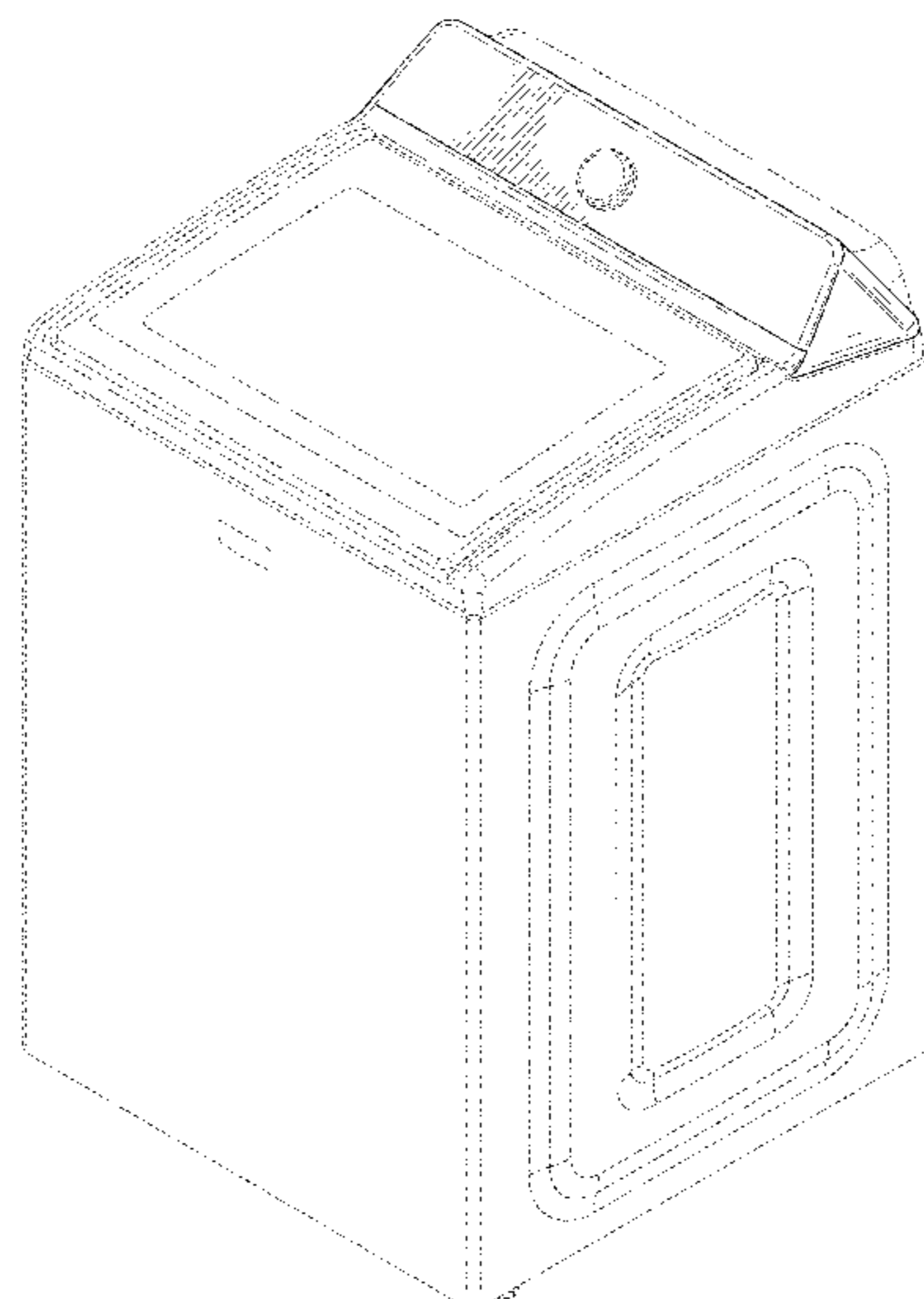
We claim the ornamental design for a topload washing appliance, as shown.

DESCRIPTION

FIG. 1 is a first top perspective view of the topload washing appliance of the present invention;
 FIG. 2 is a second top perspective view of the topload washing appliance of the present invention;
 FIG. 3 is a top plan view of the topload washing appliance of the present invention;
 FIG. 4 is a bottom plan view of the topload washing appliance of the present invention;
 FIG. 5 is a first side elevation view of the topload washing appliance of the present invention;
 FIG. 6 is a second side elevation view of the topload washing appliance of the present invention;
 FIG. 7 is a third side elevation view of the topload washing appliance of the present invention; and,
 FIG. 8 is a fourth side elevation view of the topload washing appliance of the present invention.

The broken lines in the figures are for contextual purposes or show the environment and form no part of the claimed design.

1 Claim, 8 Drawing Sheets



(56)

References Cited

U.S. PATENT DOCUMENTS

D556,394	S	*	11/2007	Kim	D32/6
D571,964	S	*	6/2008	Kim	D32/6
D575,012	S	*	8/2008	Rossetto	D32/6
D630,807	S	*	1/2011	Song	D32/6
D632,033	S	*	2/2011	Song	D32/6
D633,261	S	*	2/2011	Song	D32/6
D654,640	S	*	2/2012	Song	D32/6
D679,462	S	*	4/2013	Zhang	D32/6
D694,965	S	*	12/2013	Lee	D32/6
D699,907	S	*	2/2014	Choi	D32/28
D701,656	S	*	3/2014	Choi	D32/6
D729,998	S	*	5/2015	Jeon	D32/6
D733,372	S	*	6/2015	Song	D32/6
D739,096	S	*	9/2015	Qin	D32/6
D759,325	S	*	6/2016	Jeon	D32/6
D760,454	S	*	6/2016	Joo	D32/6
D760,967	S	*	7/2016	Joo	D32/6
D761,502	S	*	7/2016	Joo	D32/6
D761,503	S	*	7/2016	Choi	D32/6
D762,021	S	*	7/2016	Qin	D32/6
D762,025	S	*	7/2016	Joo	D32/6
D764,121	S	*	8/2016	Choi	D32/6
D772,505	S	*	11/2016	Bixby	D32/25
D772,506	S	*	11/2016	Bixby	D32/25
2013/0327101	A1	*	12/2013	Leibman	D06F 71/10 68/17 R

* cited by examiner

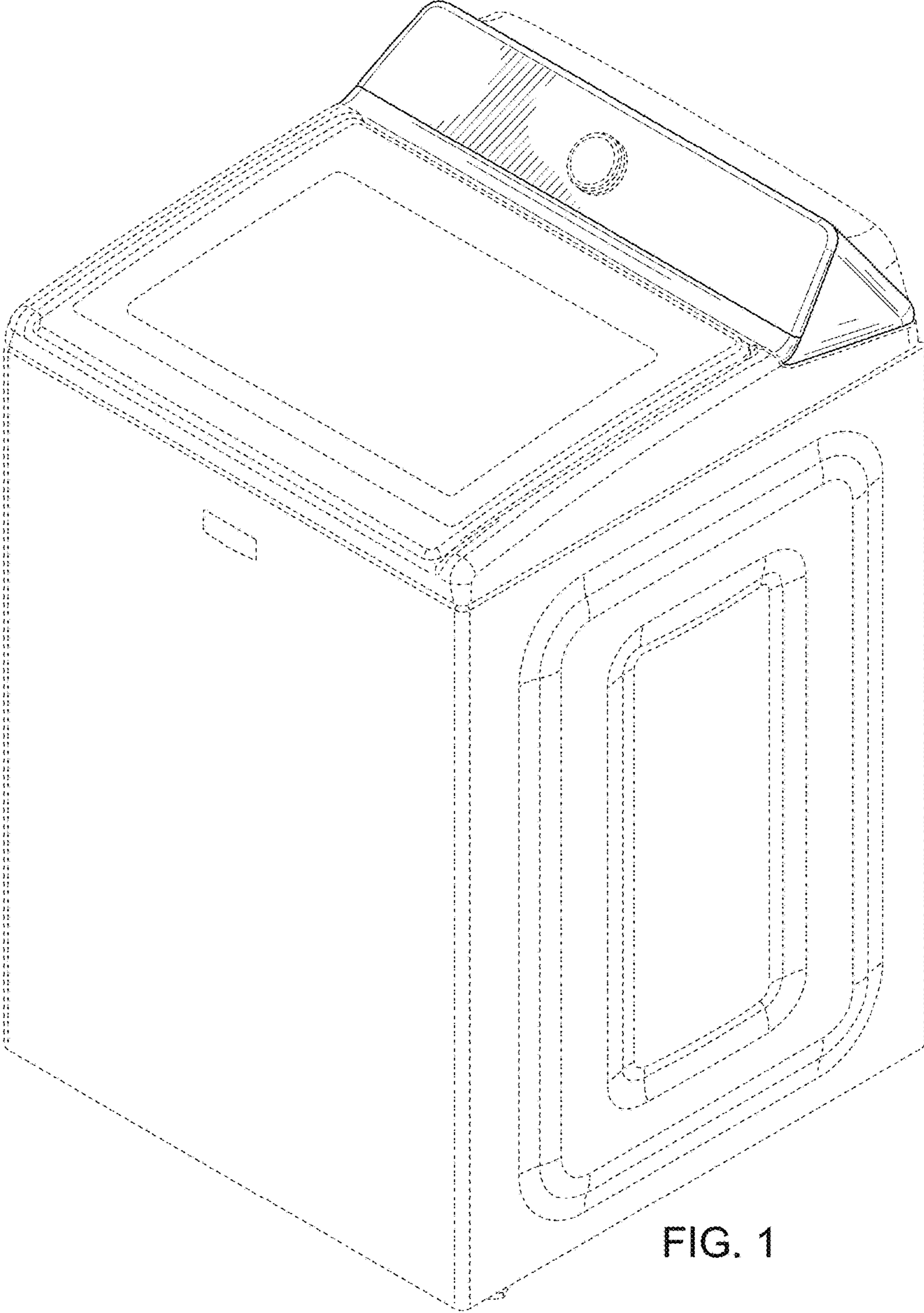


FIG. 1

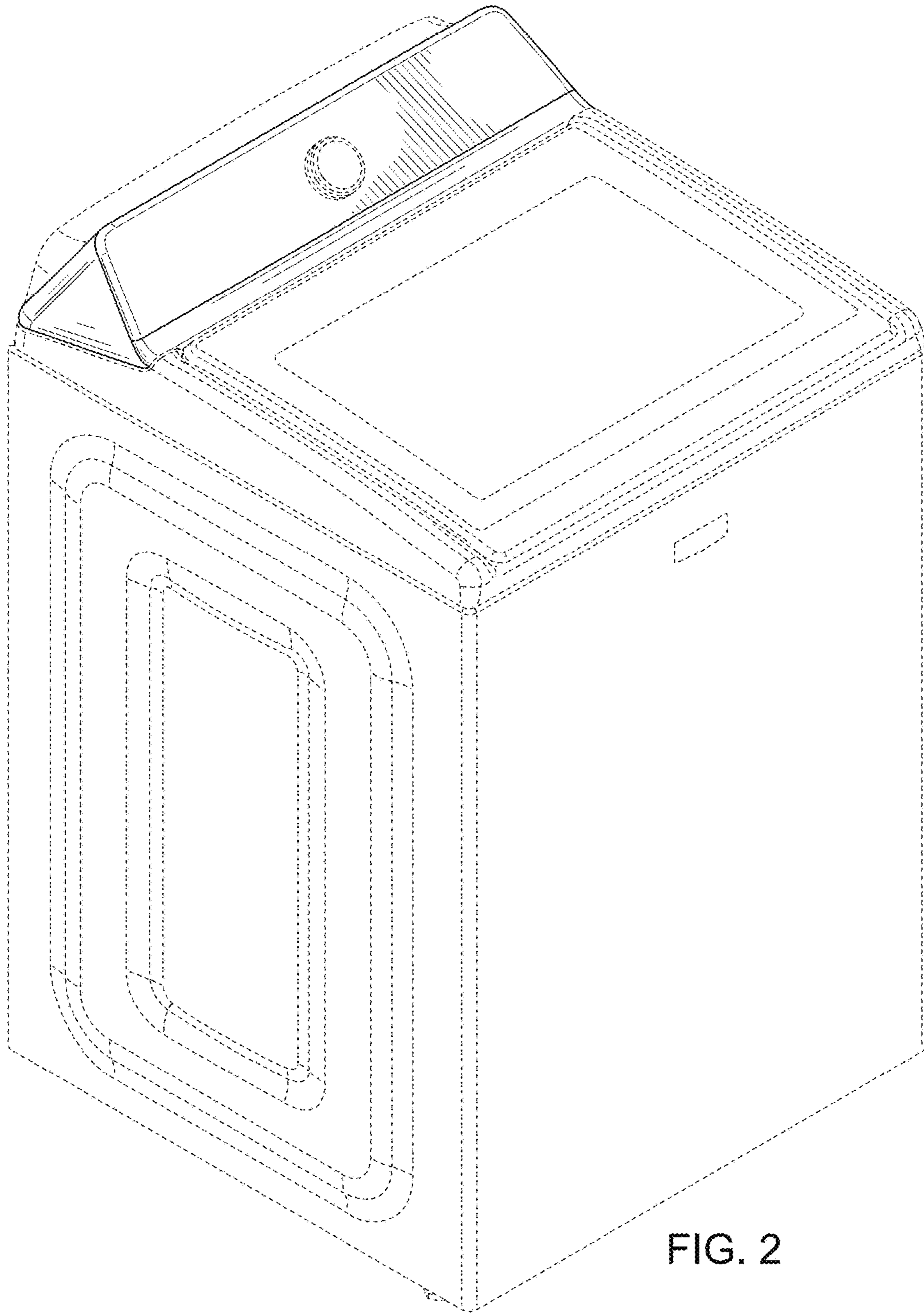


FIG. 2

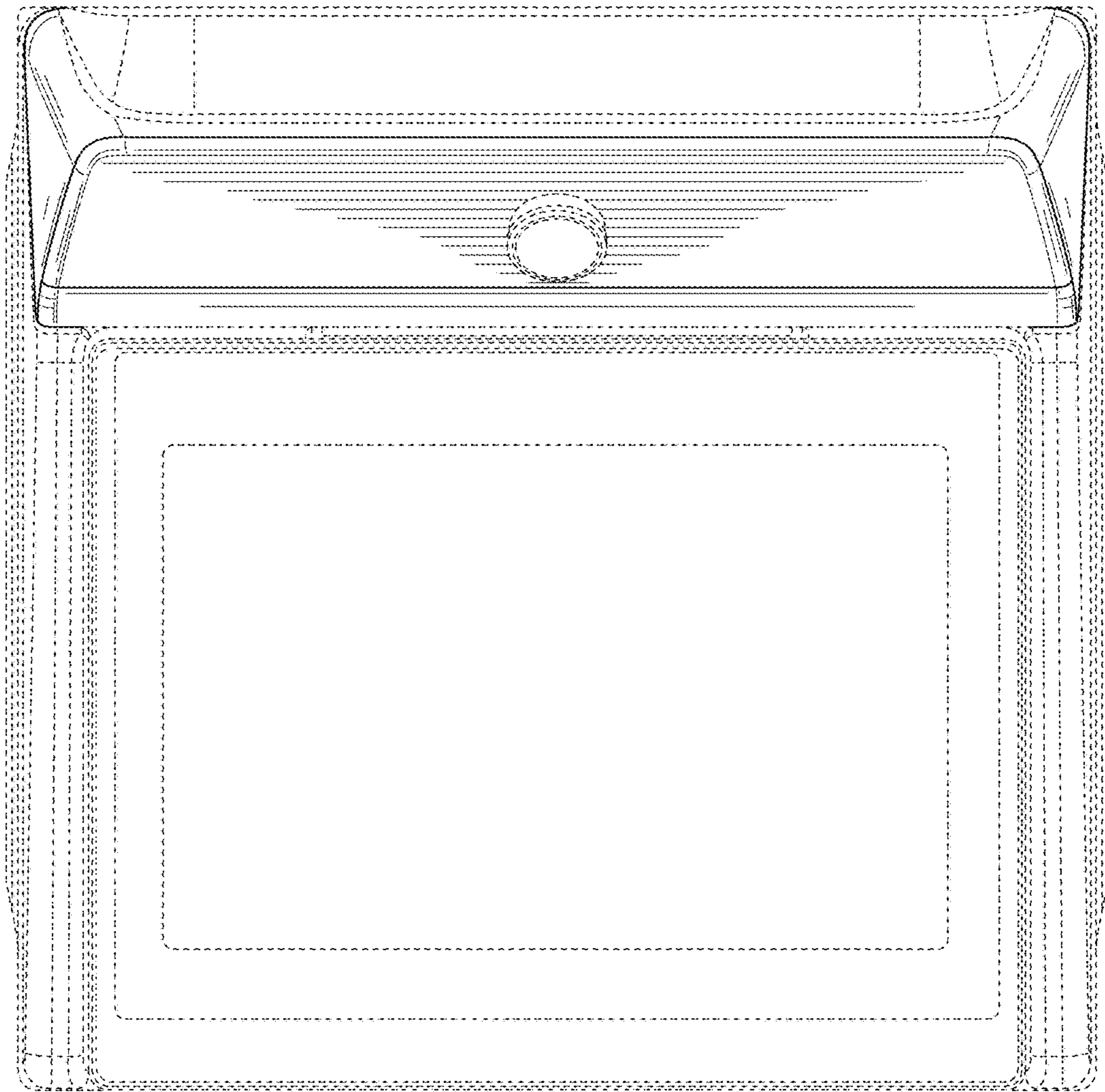


FIG. 3

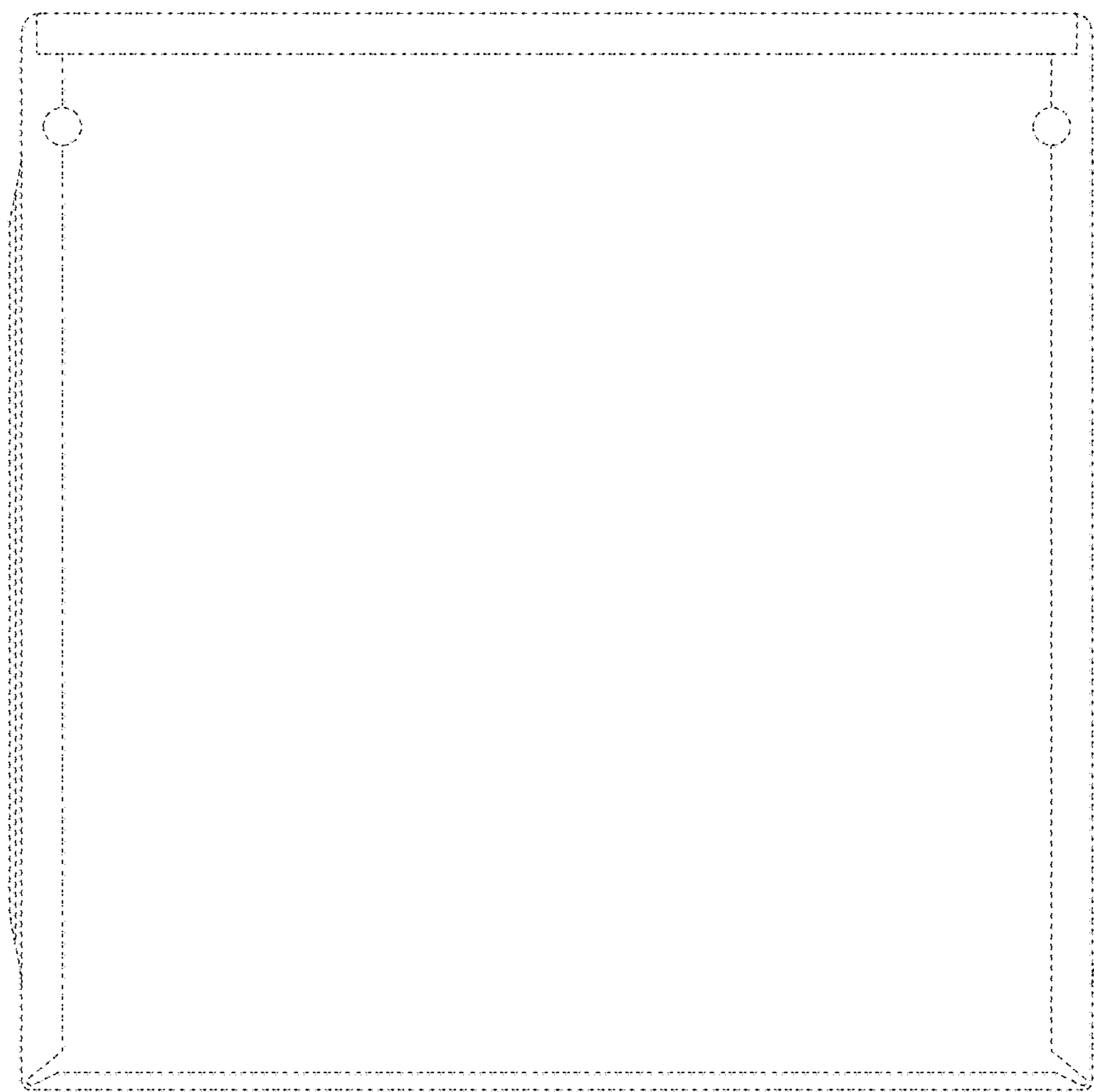


FIG. 4

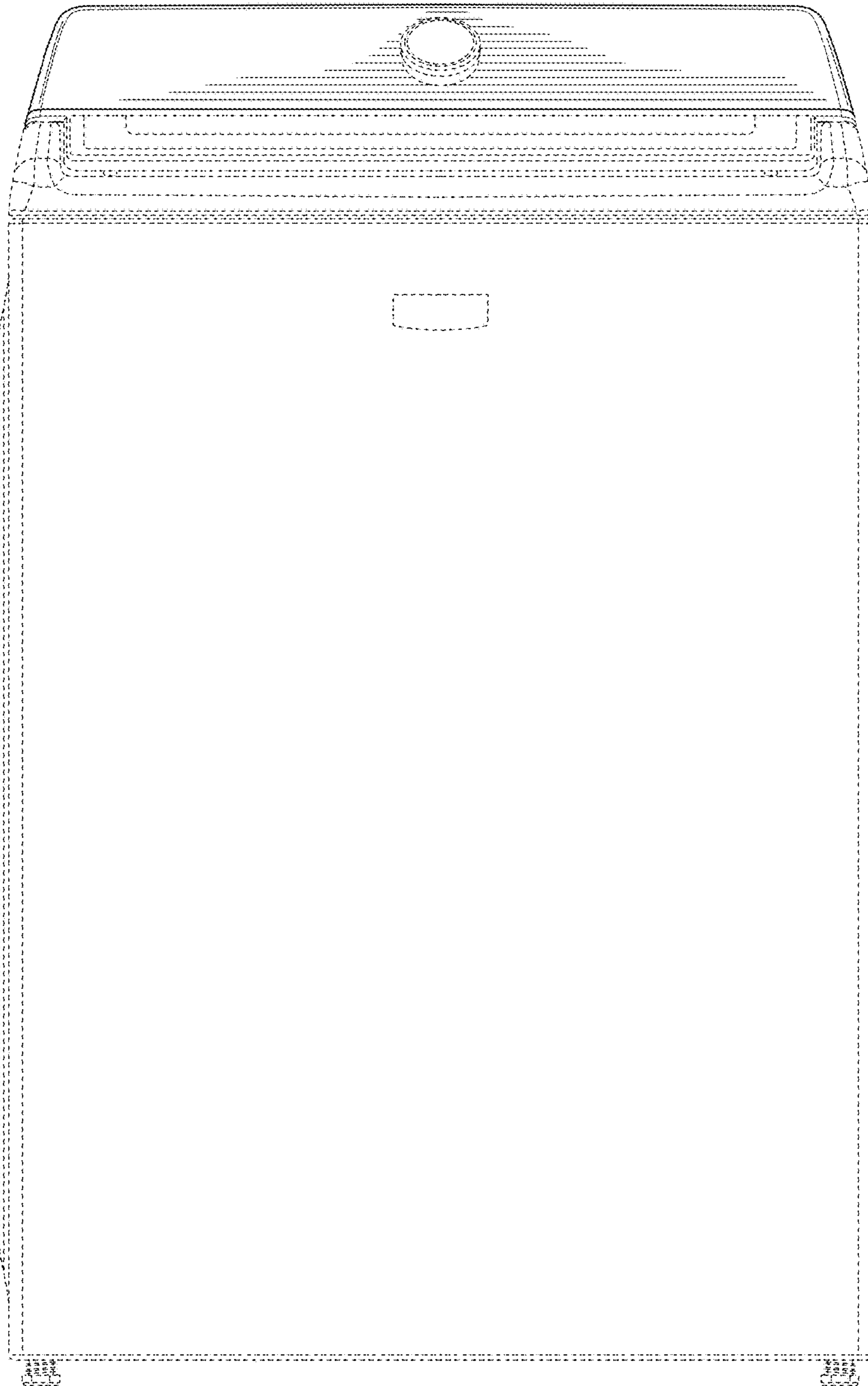


FIG. 5

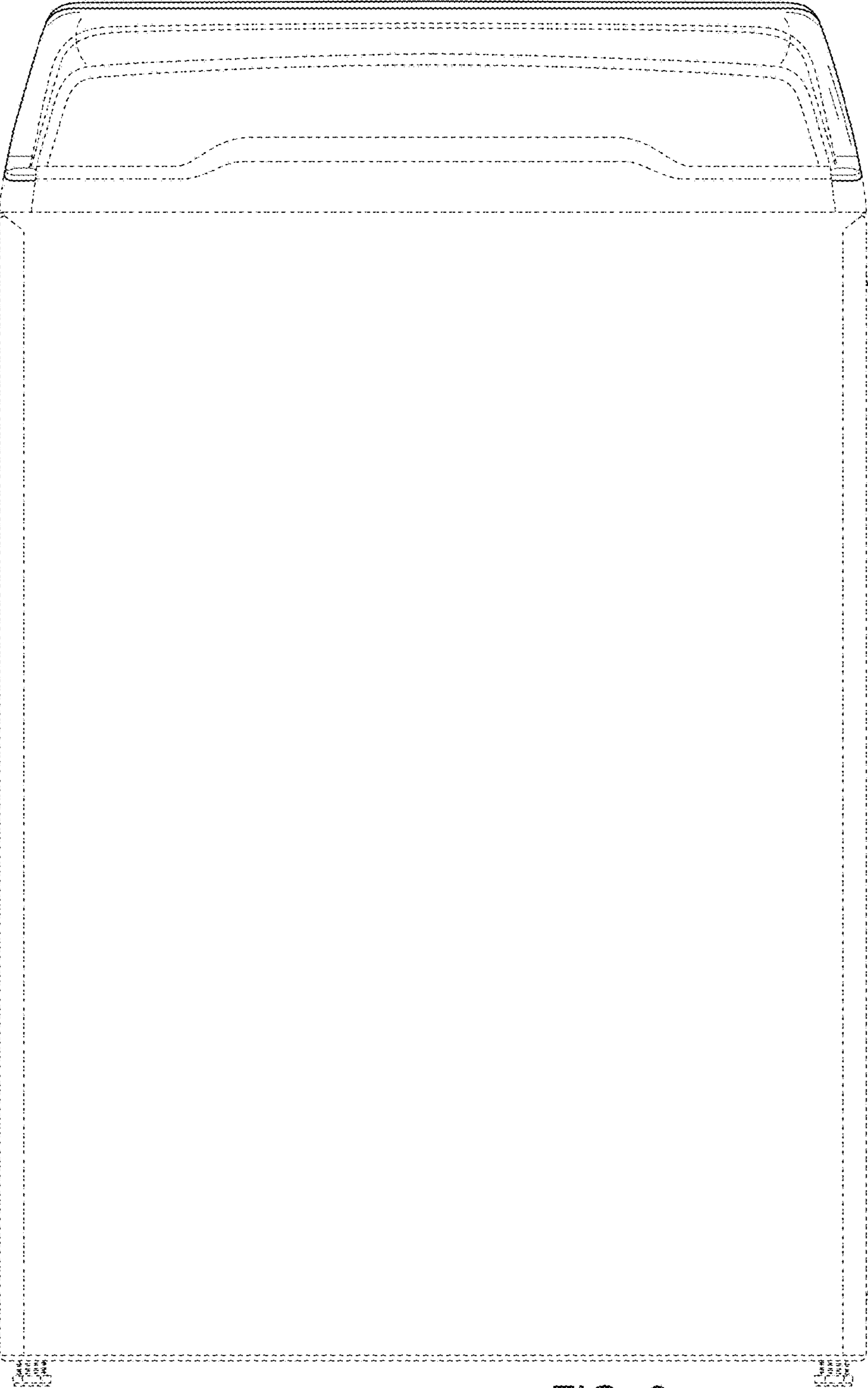


FIG. 6

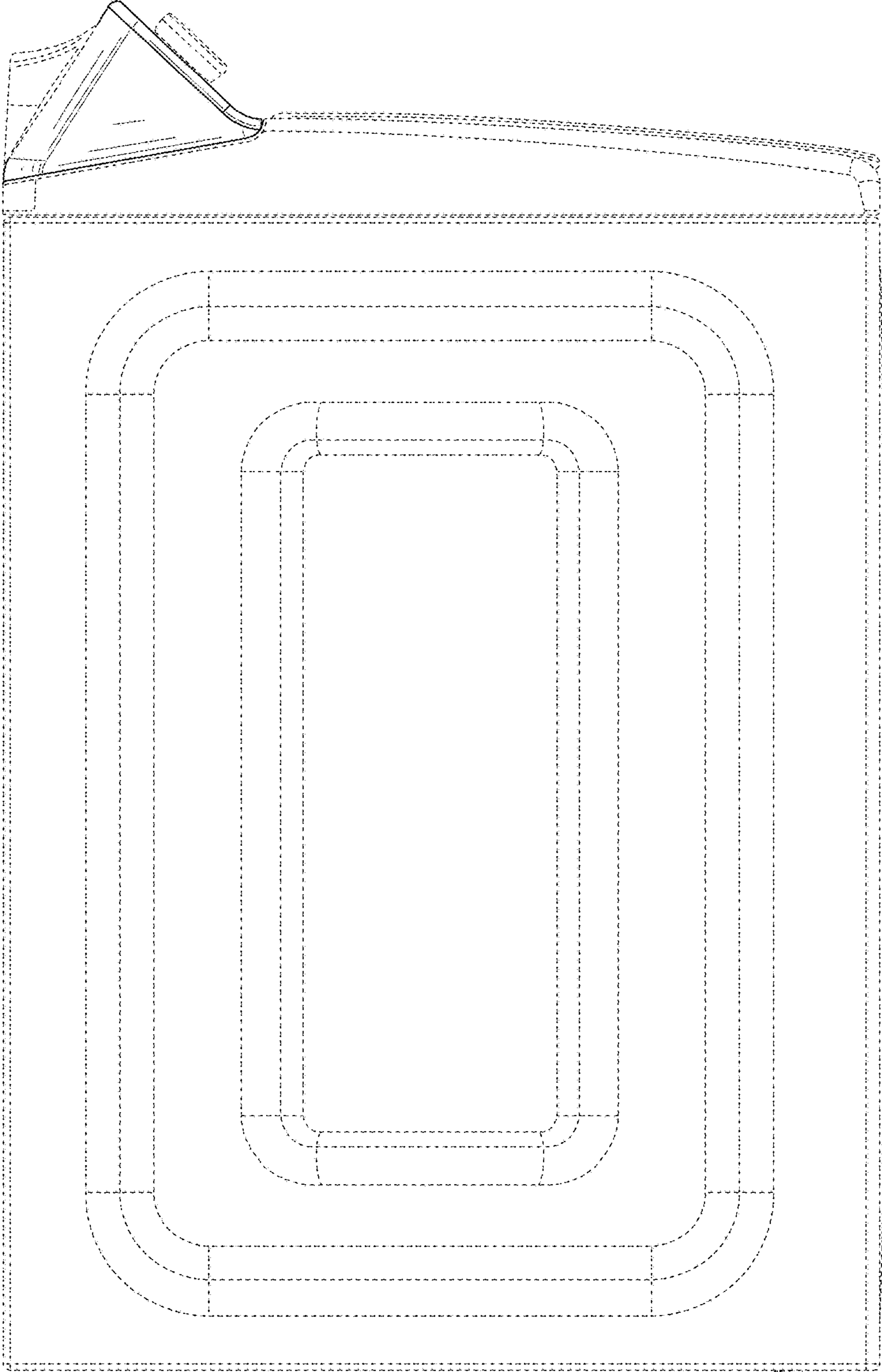


FIG. 7

100

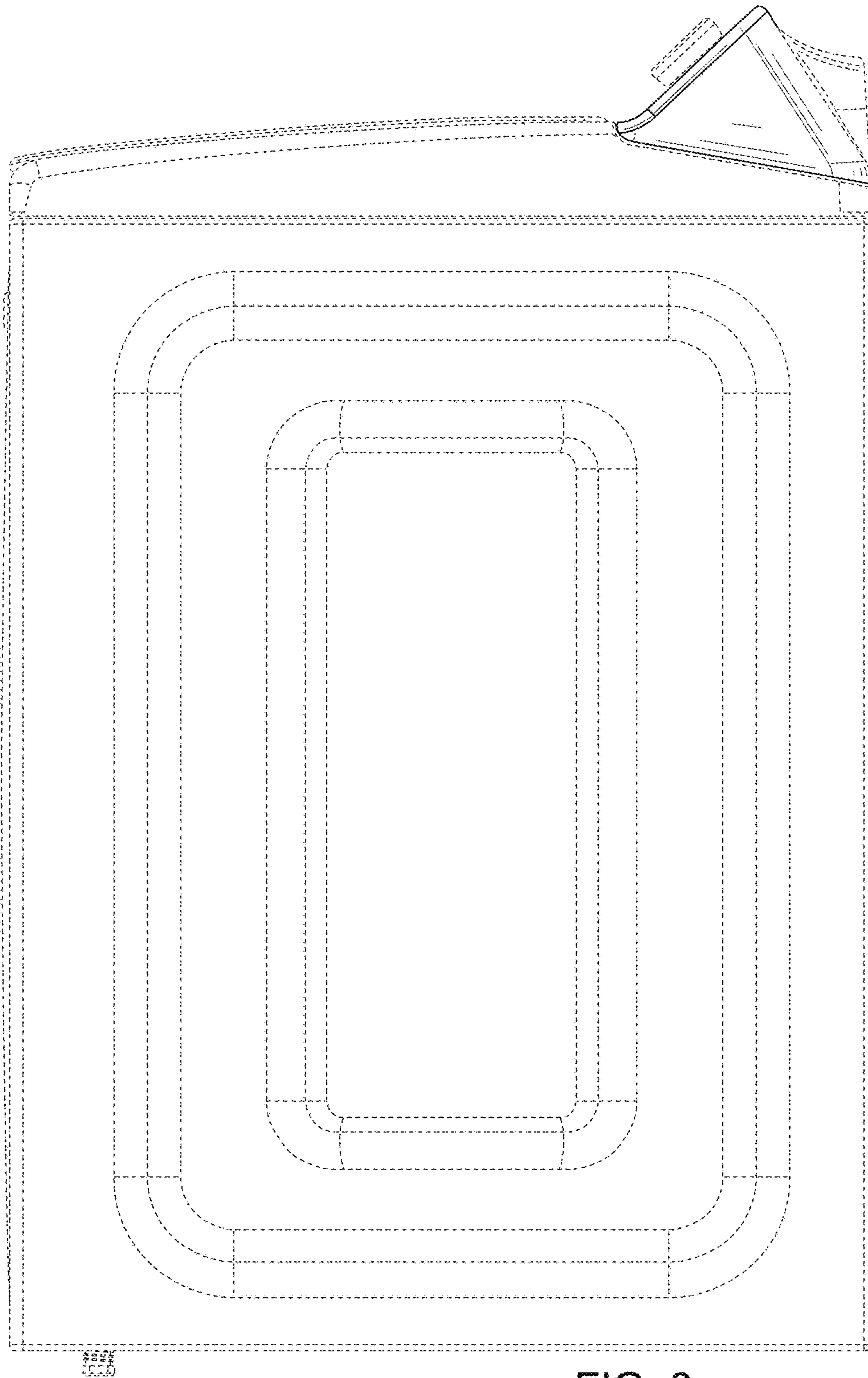


FIG. 8