



US00D793011S

(12) **United States Design Patent**
Holm et al.

(10) **Patent No.:** **US D793,011 S**
(45) **Date of Patent:** **** Jul. 25, 2017**

(54) **FEEDER ESPECIALLY FOR CALVES**

(71) Applicants: **Hans Joachim Holm**, Westerroefeld
(DE); **Hans Joachim Laue**,
Osterroefeld (DE)

(72) Inventors: **Hans Joachim Holm**, Westerroefeld
(DE); **Hans Joachim Laue**,
Osterroefeld (DE)

(**) Term: **14 Years**

(21) Appl. No.: **29/526,176**

(22) Filed: **May 7, 2015**

(30) **Foreign Application Priority Data**

Nov. 7, 2014 (EP) 002573816

(51) **LOC (10) Cl.** **30-03**

(52) **U.S. Cl.**
USPC **D30/121**

(58) **Field of Classification Search**
USPC D30/121, 127, 124, 133, 199, 119, 131,
D30/132; 119/71, 72.5, 51.03, 464, 77,
119/57.8, 55, 710, 52.3, 54, 56.1, 53,
119/52.1, 58, 51.01, 76, 72, 51.02, 51.11,
119/51.12, 51.15, 51.5
CPC A01K 9/00; A01K 9/005; A47B 73/00;
A47B 73/006; A47B 73/002; A47B
73/008; A61J 9/06; A61J 9/0607; A61J
9/0638; A61J 9/0676; A61J 9/0684; A61J
9/063; A61J 9/0661; A61J 9/0653
See application file for complete search history.

(56) **References Cited**

U.S. PATENT DOCUMENTS

2,506,205 A * 5/1950 Fry A01K 9/00
119/71
3,042,002 A * 7/1962 Liell A01K 9/00
119/71

3,313,272 A * 4/1967 Moloney A01K 9/00
119/51.11
3,314,398 A * 4/1967 Legourd A01K 9/00
119/71
3,584,818 A * 6/1971 Essman A61J 9/0684
248/105
4,171,684 A * 10/1979 Herr A01K 11/006
119/52.1
6,360,691 B1 * 3/2002 Laue A01K 5/0216
119/57.92
8,522,722 B2 * 9/2013 Pastoor A01K 1/0011
119/51.01
2003/0062003 A1 * 4/2003 Voogd A01K 1/12
119/521
2005/0173015 A1 * 8/2005 Dhaliwal A01K 9/00
141/2
2007/0012254 A1 * 1/2007 Clark A01K 9/005
119/71

(Continued)

Primary Examiner — Susan Moon Lee

(74) *Attorney, Agent, or Firm* — Mayer & Williams, PC;
Stuart Mayer

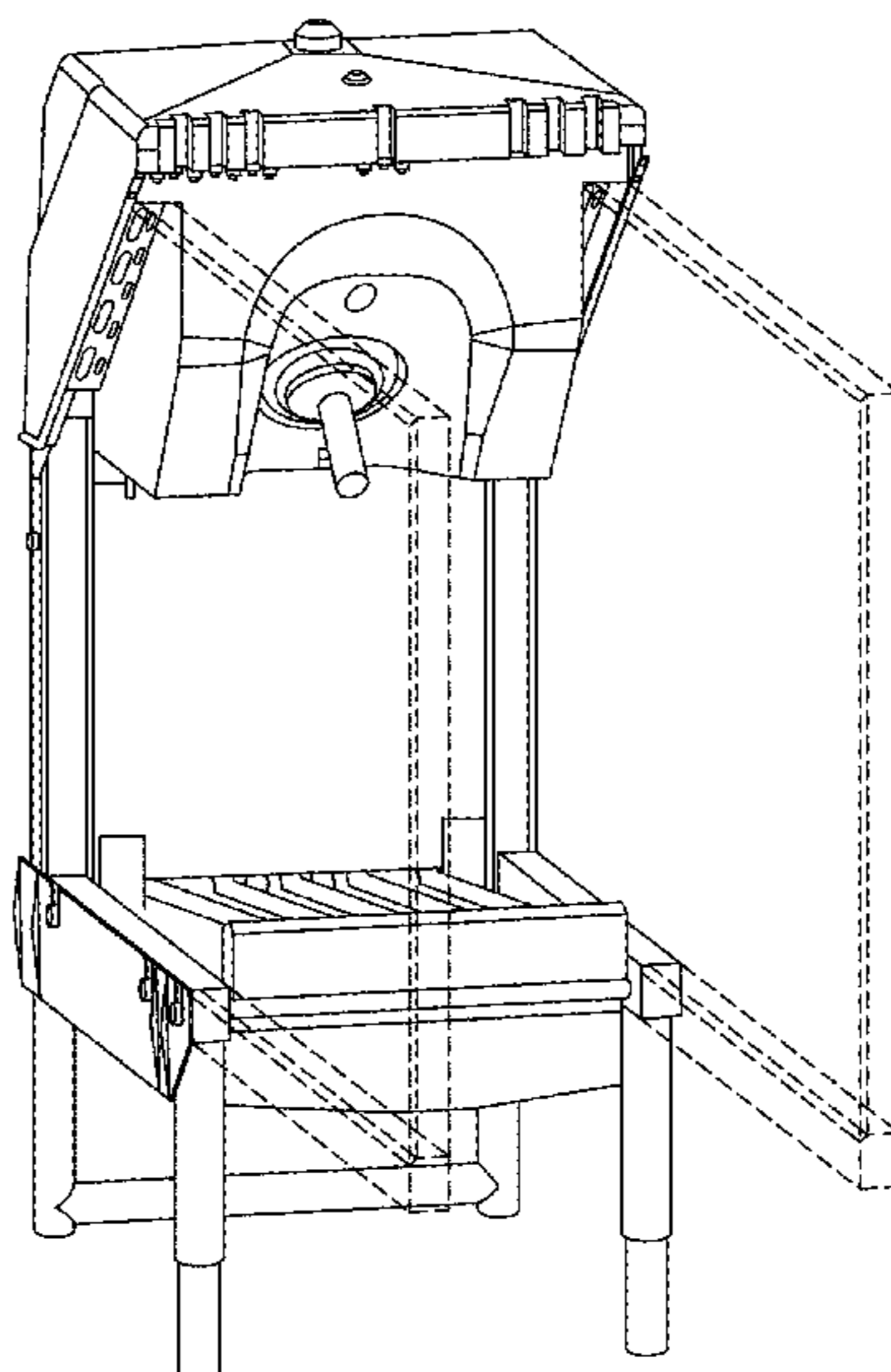
(57) **CLAIM**

The ornamental design for a feeder especially for calves, as shown and described.

DESCRIPTION

FIG. 1 is a left side view of a feeder especially for calves in accordance with our new design;
FIG. 2 is a front view thereof;
FIG. 3 is a right side view thereof;
FIG. 4 is a back view thereof;
FIG. 5 is a top view thereof;
FIG. 6 is a front perspective view thereof; and,
FIG. 7 is a back perspective view thereof.
The broken line elements shown illustratively in the last two figures depict exemplary components which might be used in conjunction with the feeder and do not actually form part of the design claim.

1 Claim, 7 Drawing Sheets



(56)

References Cited

U.S. PATENT DOCUMENTS

2009/0205575 A1* 8/2009 Rodriguez A01K 7/06
119/72.5
2010/0224131 A1* 9/2010 Lee A01K 9/00
119/71

* cited by examiner

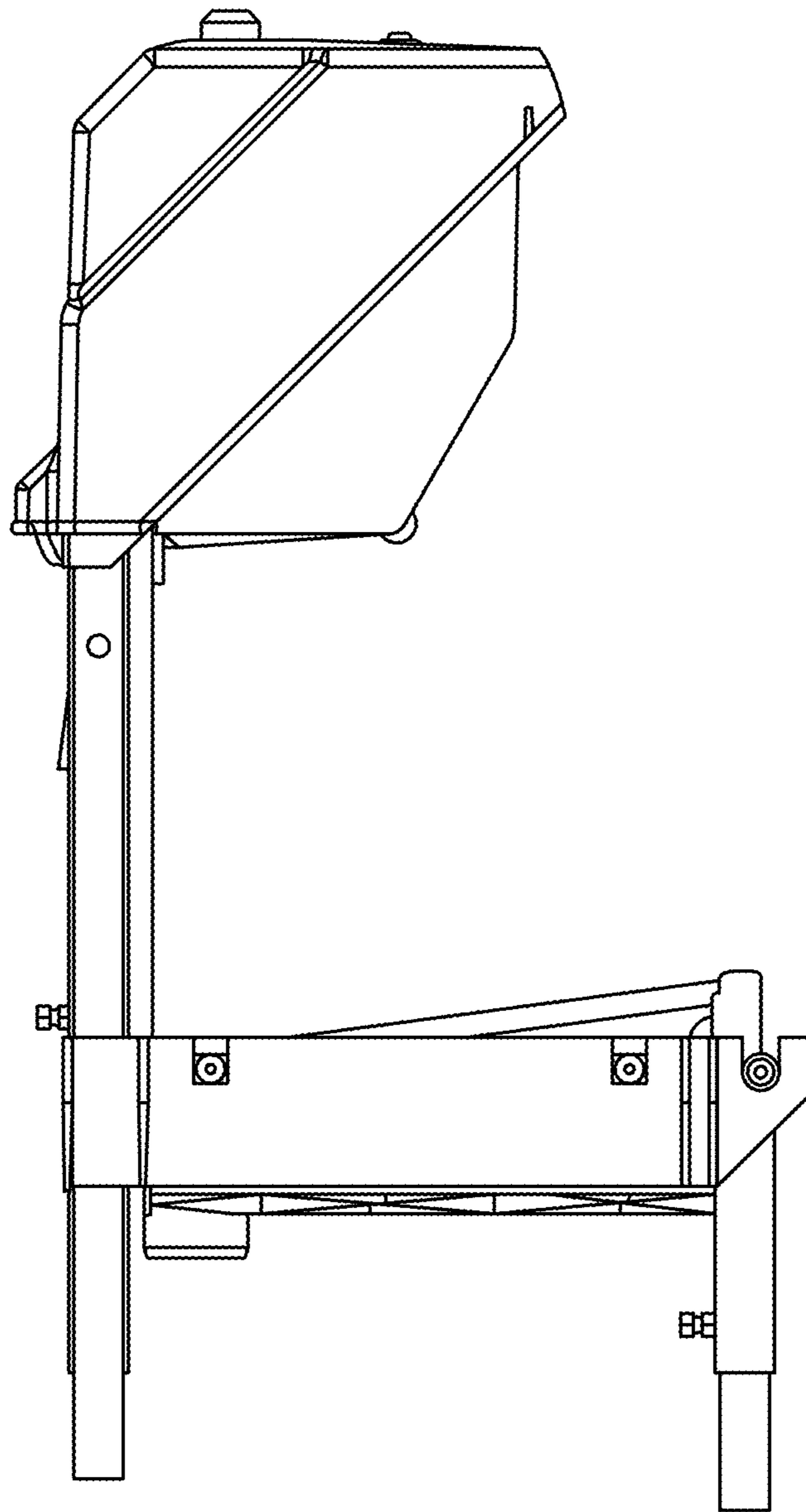


FIG. 1

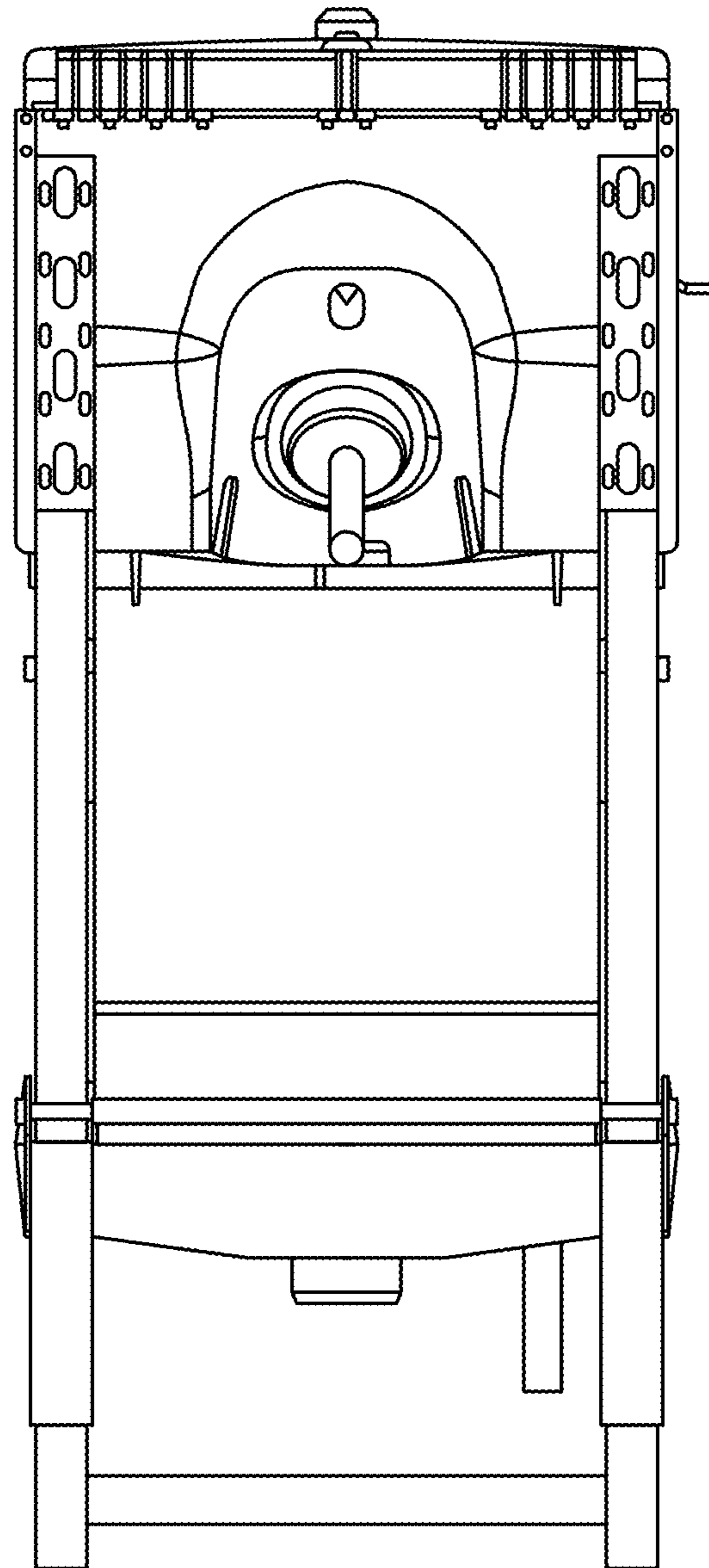


FIG. 2

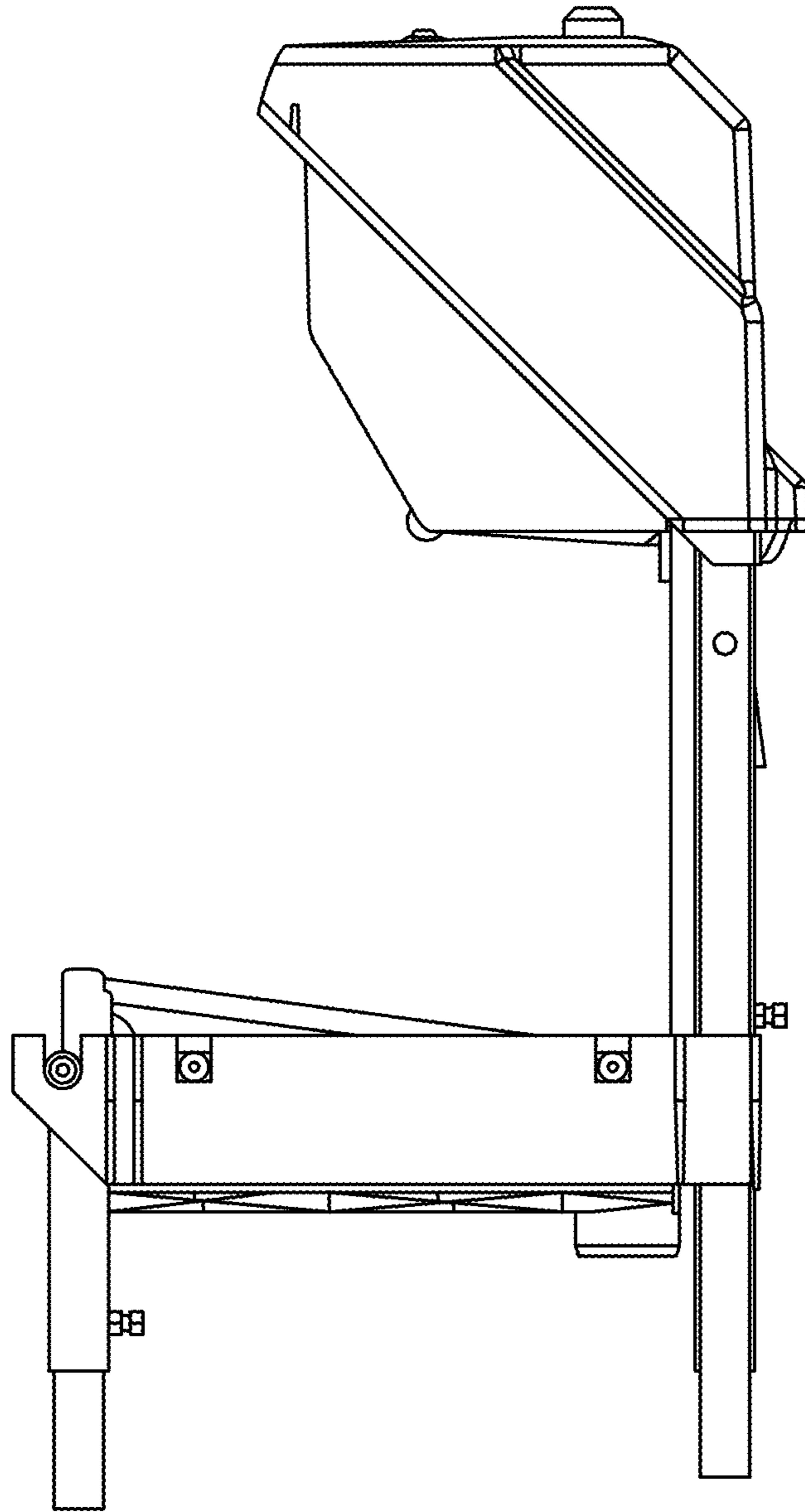


FIG. 3

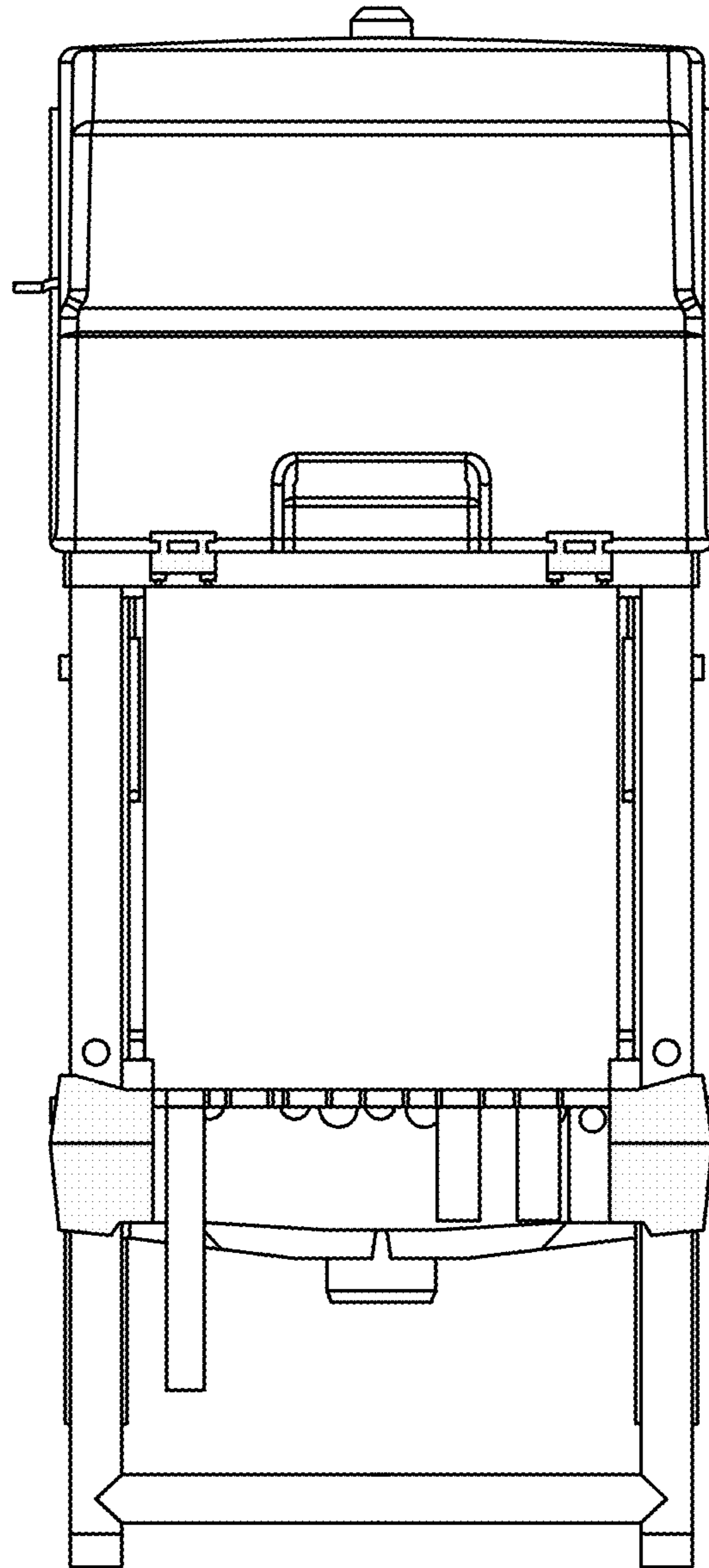


FIG. 4

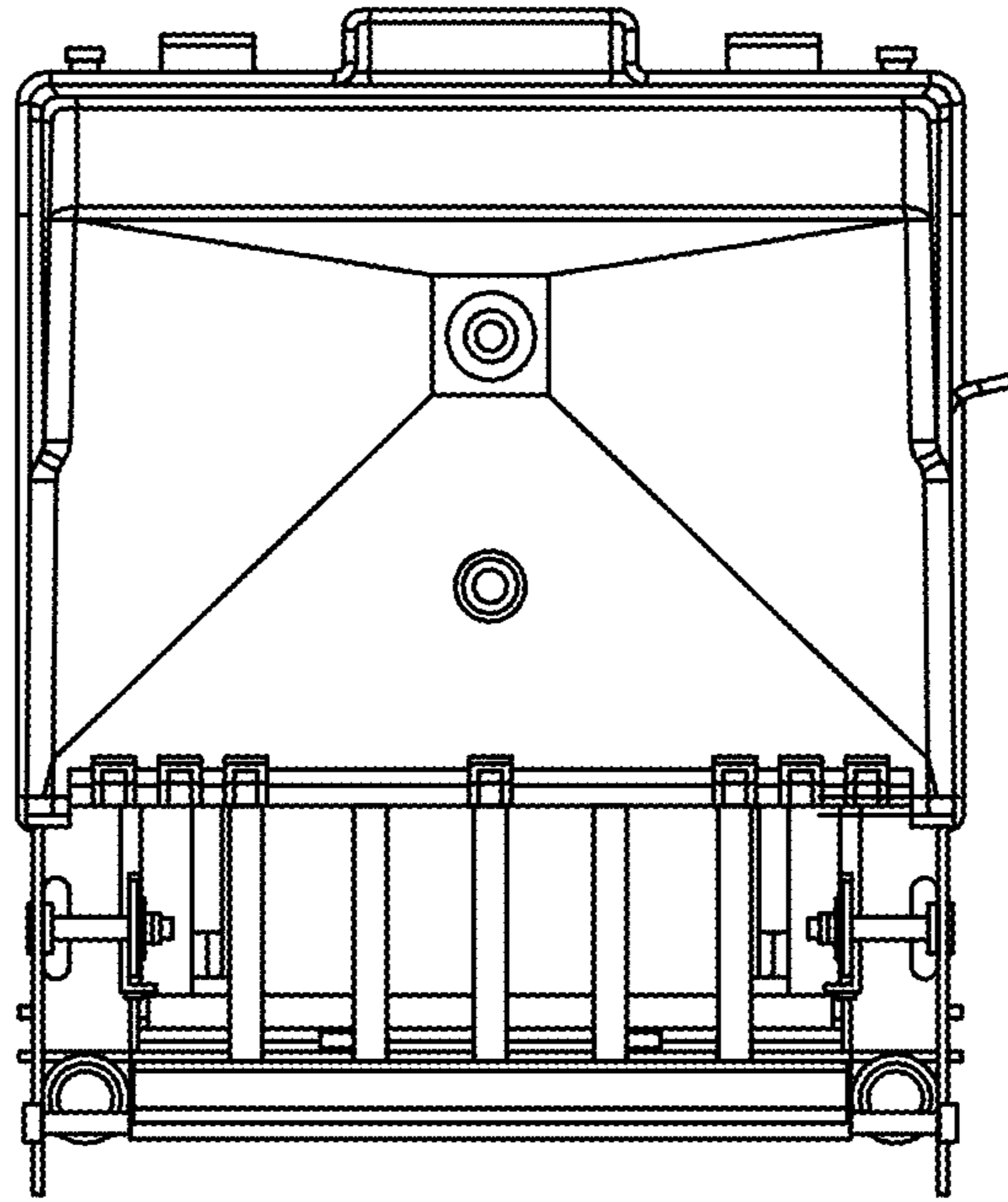


FIG. 5

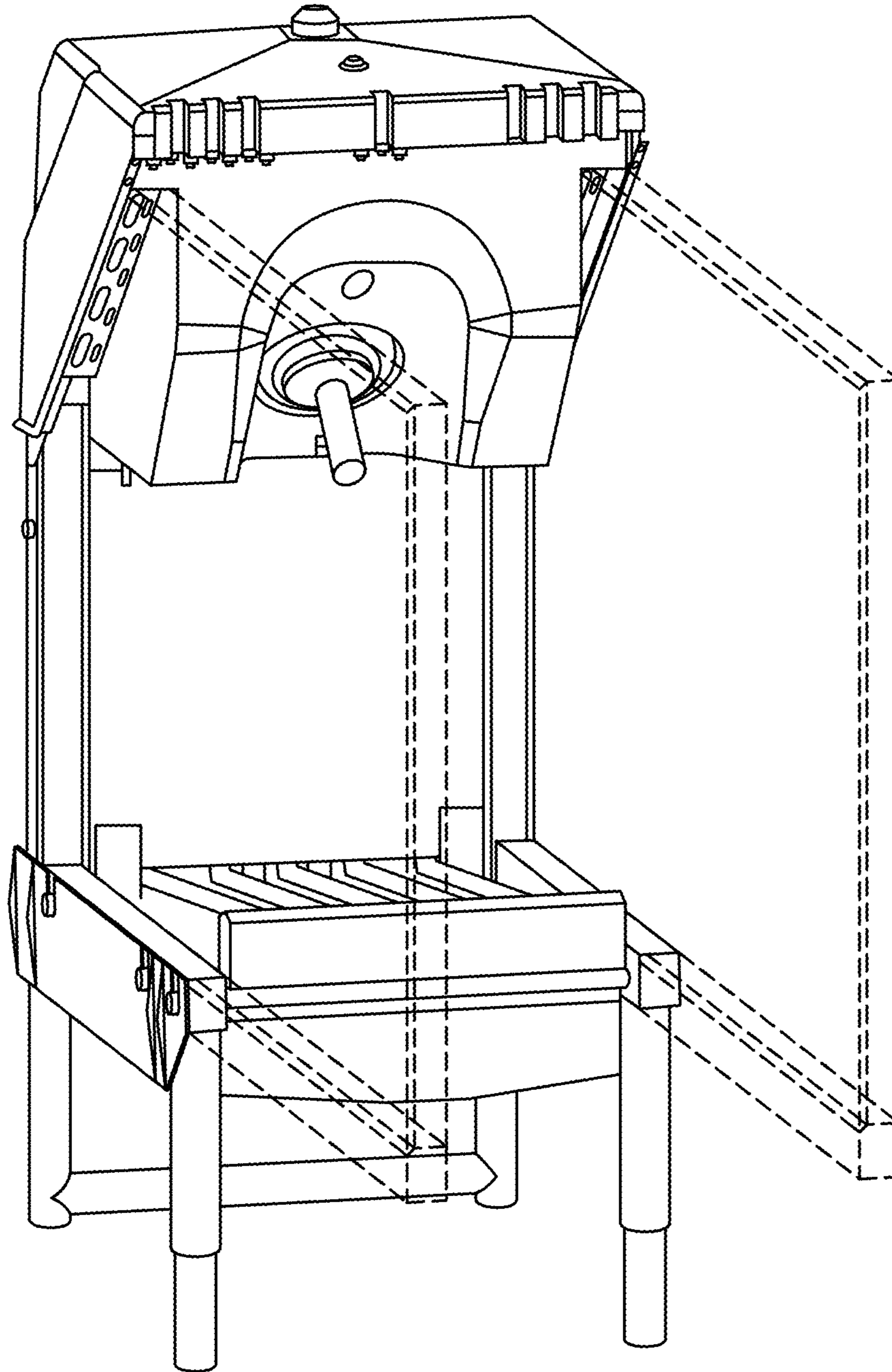


FIG. 6

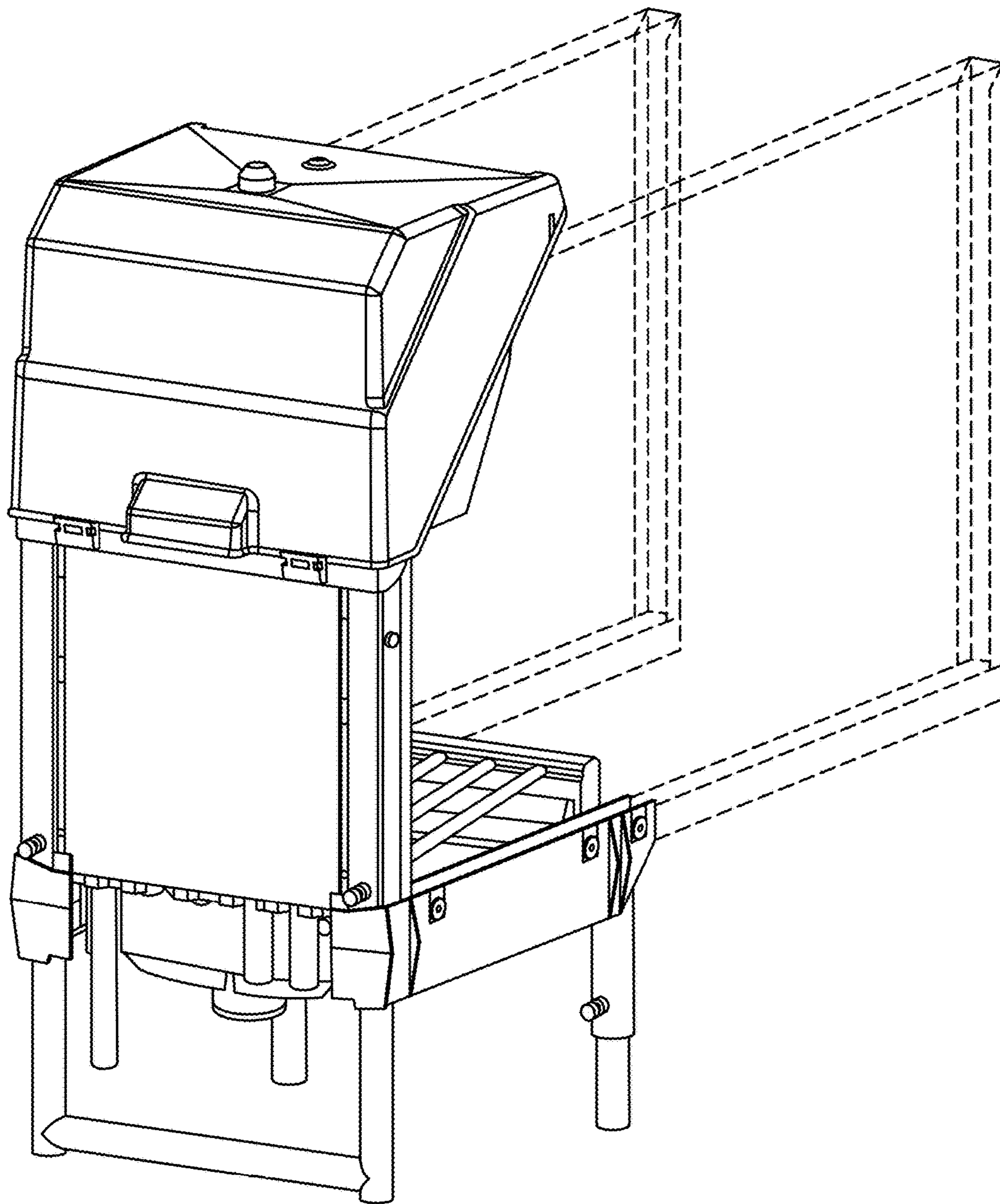


FIG. 7