

US00D793010S

(12) **United States Design Patent**
Velasquez

(10) **Patent No.:** **US D793,010 S**
(45) **Date of Patent:** **** Jul. 25, 2017**

(54) **HELMET COVER**

(71) Applicant: **VeeBeeZee Licensing LLC**, Tulsa, OK
(US)

(72) Inventor: **Michael Velasquez**, Tulsa, OK (US)

(73) Assignee: **VeeBeeZee Licensing LLC**, Tulsa, OK
(US)

(**) Term: **15 Years**

(21) Appl. No.: **29/551,560**

(22) Filed: **Jan. 14, 2016**

(51) **LOC (10) Cl.** **29-02**

(52) **U.S. Cl.**
USPC **D29/122**

(58) **Field of Classification Search**
USPC D29/102–107, 122; D2/865–867,
D2/878–880

CPC A42B 3/003; A42B 3/04; A42B 3/0406;
F41H 1/04; F41H 3/02
See application file for complete search history.

(56) **References Cited**

U.S. PATENT DOCUMENTS

D180,092 S	4/1957	McMurry	
D297,066 S *	8/1988	Schonwetter	D29/102
5,481,759 A *	1/1996	Rinaldi	A42B 1/061 2/171.1
D385,389 S *	10/1997	Bell	D2/886
6,209,139 B1	4/2001	Schmidt et al.	
D474,002 S *	5/2003	Park	D2/882
D476,776 S	7/2003	Finkel	
D490,572 S	5/2004	Finkel	
D504,543 S	4/2005	Strauss	
D518,241 S	3/2006	Finkel	
D524,993 S *	7/2006	Stokes	D29/104
D532,161 S	11/2006	Finkel	
D549,394 S	8/2007	Broeckl	
D559,468 S	1/2008	Broeckl	

D592,833 S *	5/2009	Bain	D2/869
D618,446 S *	6/2010	Clare	D2/878
D621,590 S *	8/2010	Martin	D2/879
D629,183 S *	12/2010	Adams	D2/882
D645,210 S	9/2011	Chilson et al.	
D645,619 S	9/2011	Corey	
D690,470 S	9/2013	Manson	
D695,461 S	12/2013	Velasquez	
D709,675 S *	7/2014	Cho	D2/882

(Continued)

OTHER PUBLICATIONS

<http://www.helcap.com/shop/>—Apr. 14, 2016, USA.

Primary Examiner — Randall Gholson

(74) *Attorney, Agent, or Firm* — Crowe & Dunlevy, P.C.

(57) **CLAIM**

The ornamental design for a helmet cover, as shown and described.

DESCRIPTION

FIG. 1 is a right side elevation view of a helmet cover showing my new design. The left side elevation view is a mirror image thereof. The broken lines showing a helmet illustrate unclaimed environmental structure that forms no part of the claimed design;

FIG. 2 is a front elevation view of the helmet cover;

FIG. 3 is a rear elevation view thereof;

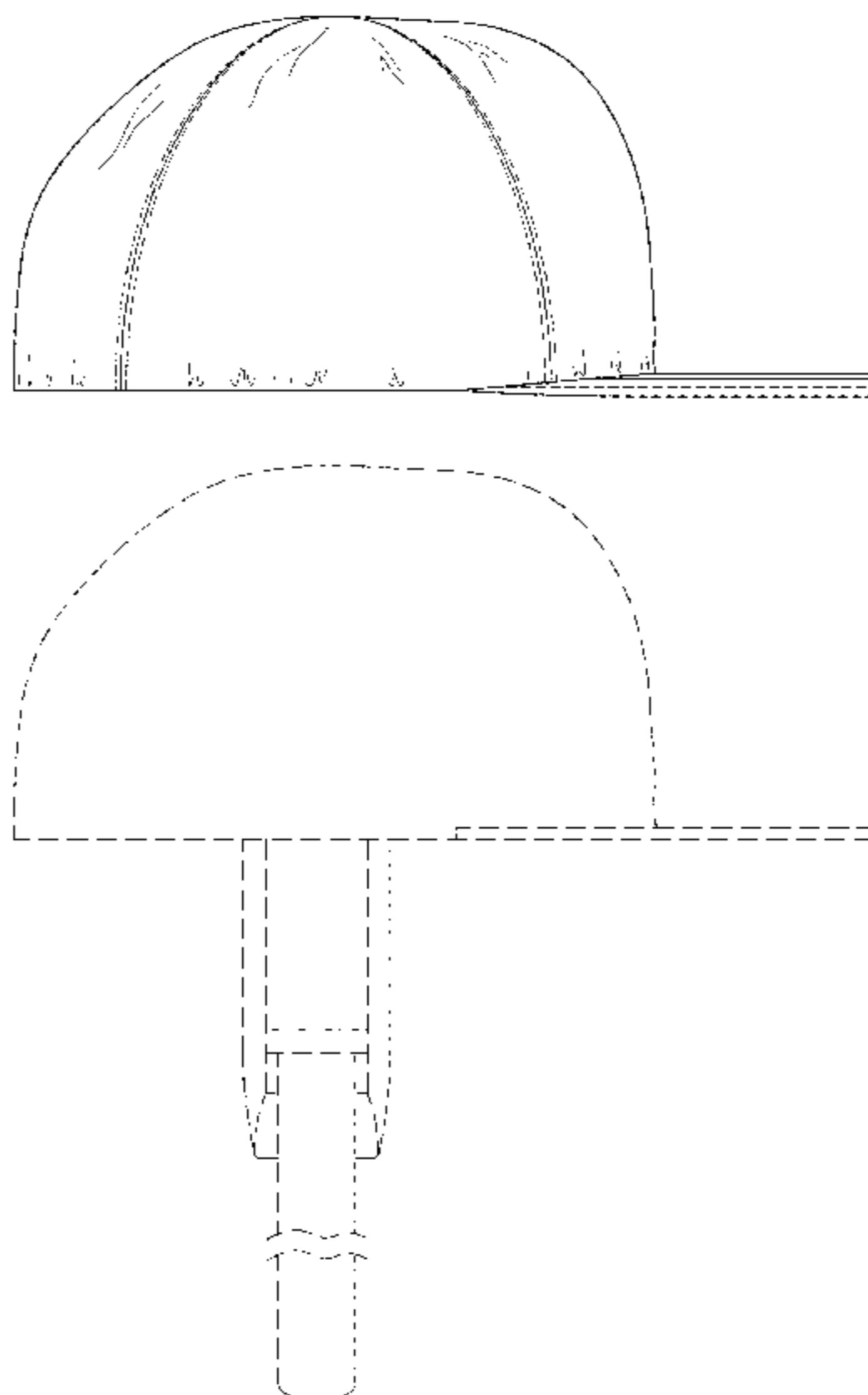
FIG. 4 is a top elevation view thereof;

FIG. 5 is a bottom elevation view thereof; and,

FIG. 6 is a cross-sectional right side elevation view thereof showing the helmet cover on a helmet. The left side cross-section elevation view is a mirror image thereof. The broken lines showing the helmet illustrate unclaimed environmental structure that forms no part of the claimed design.

The dashed lines shown throughout the views are understood to represent stitching and form no part of the claimed design.

1 Claim, 4 Drawing Sheets



(56)

References Cited

U.S. PATENT DOCUMENTS

D716,504 S * 10/2014 Skerbinc-Heller D29/122
D745,998 S 12/2015 Sansalone

* cited by examiner

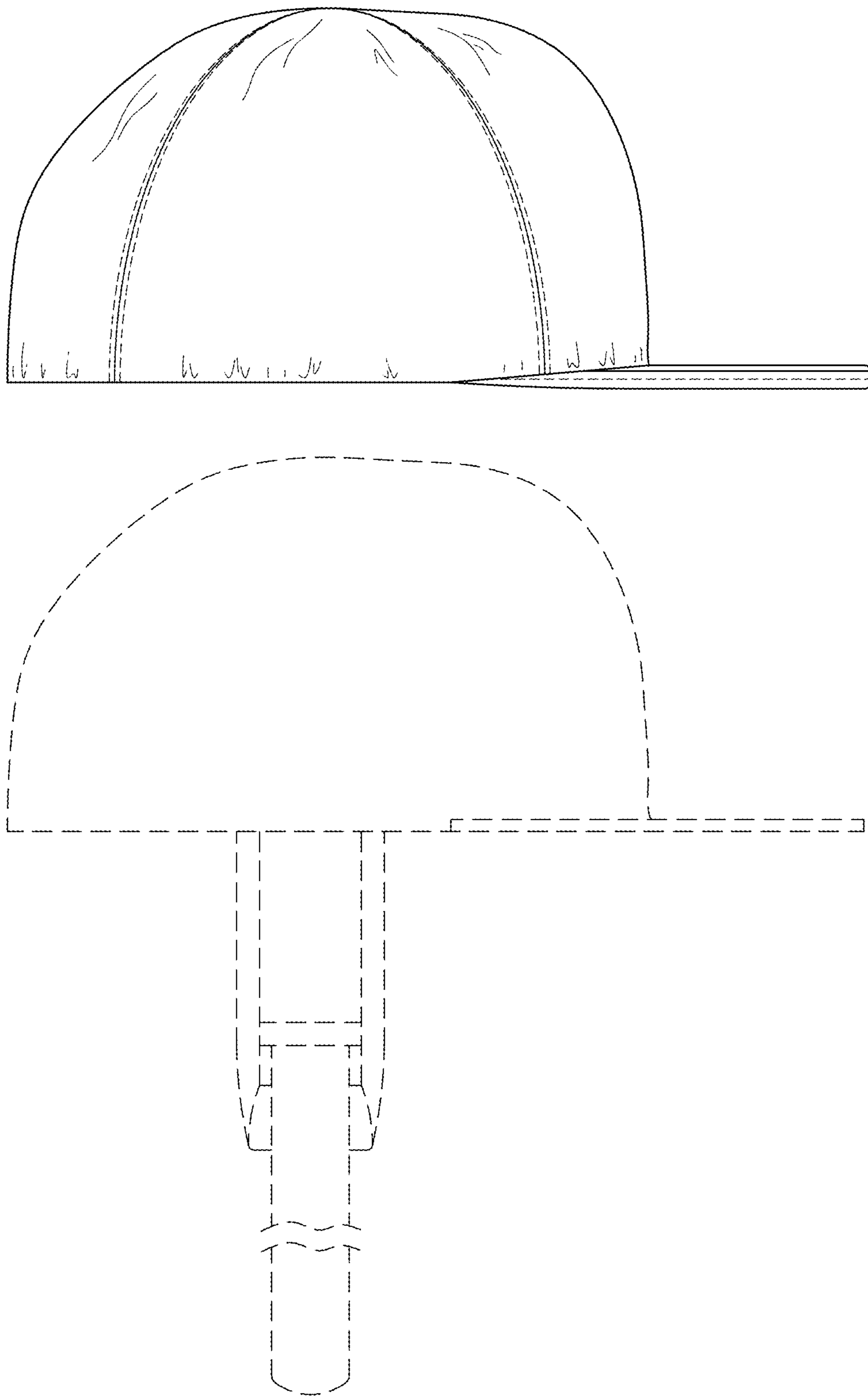


FIG. 1

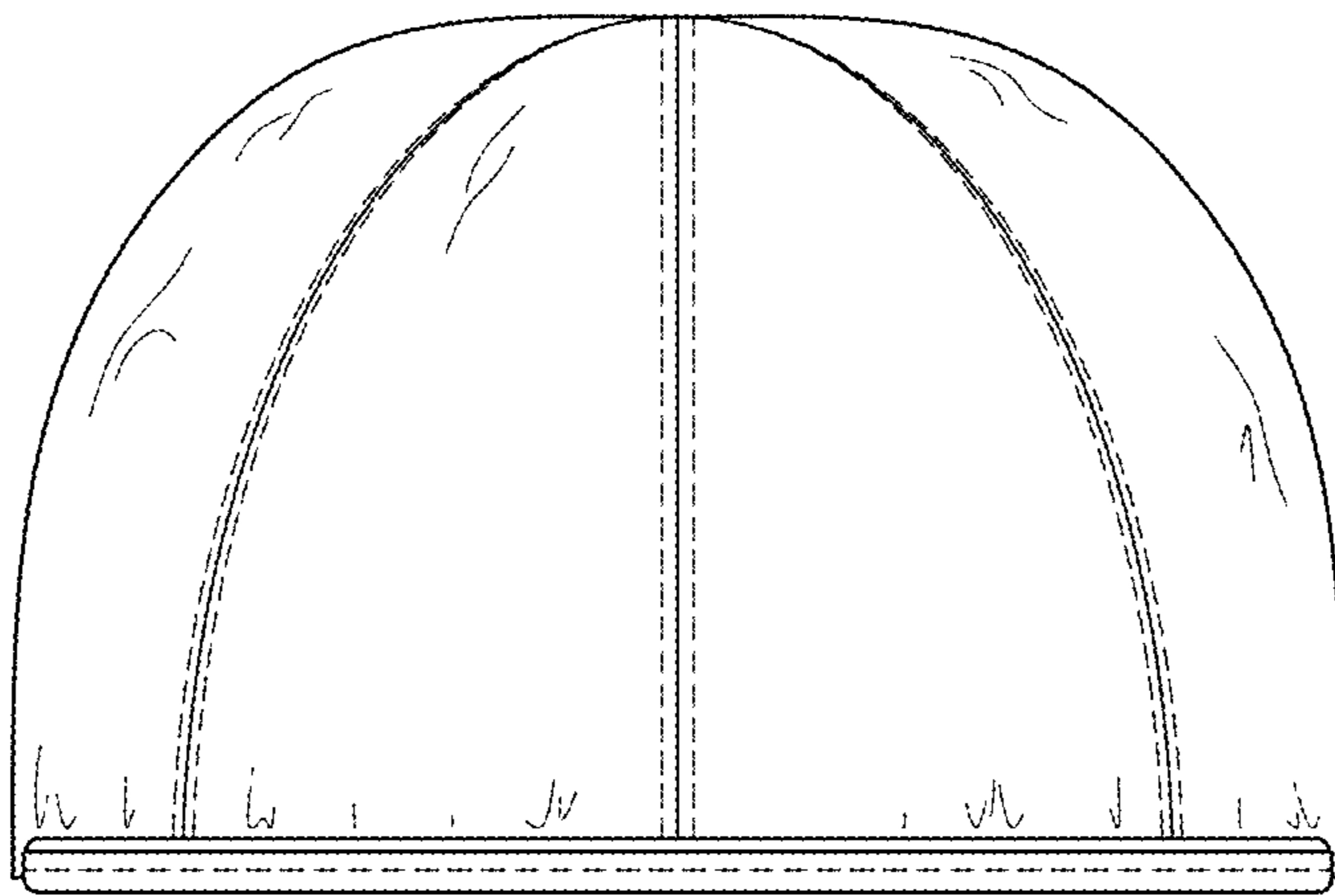


FIG. 2

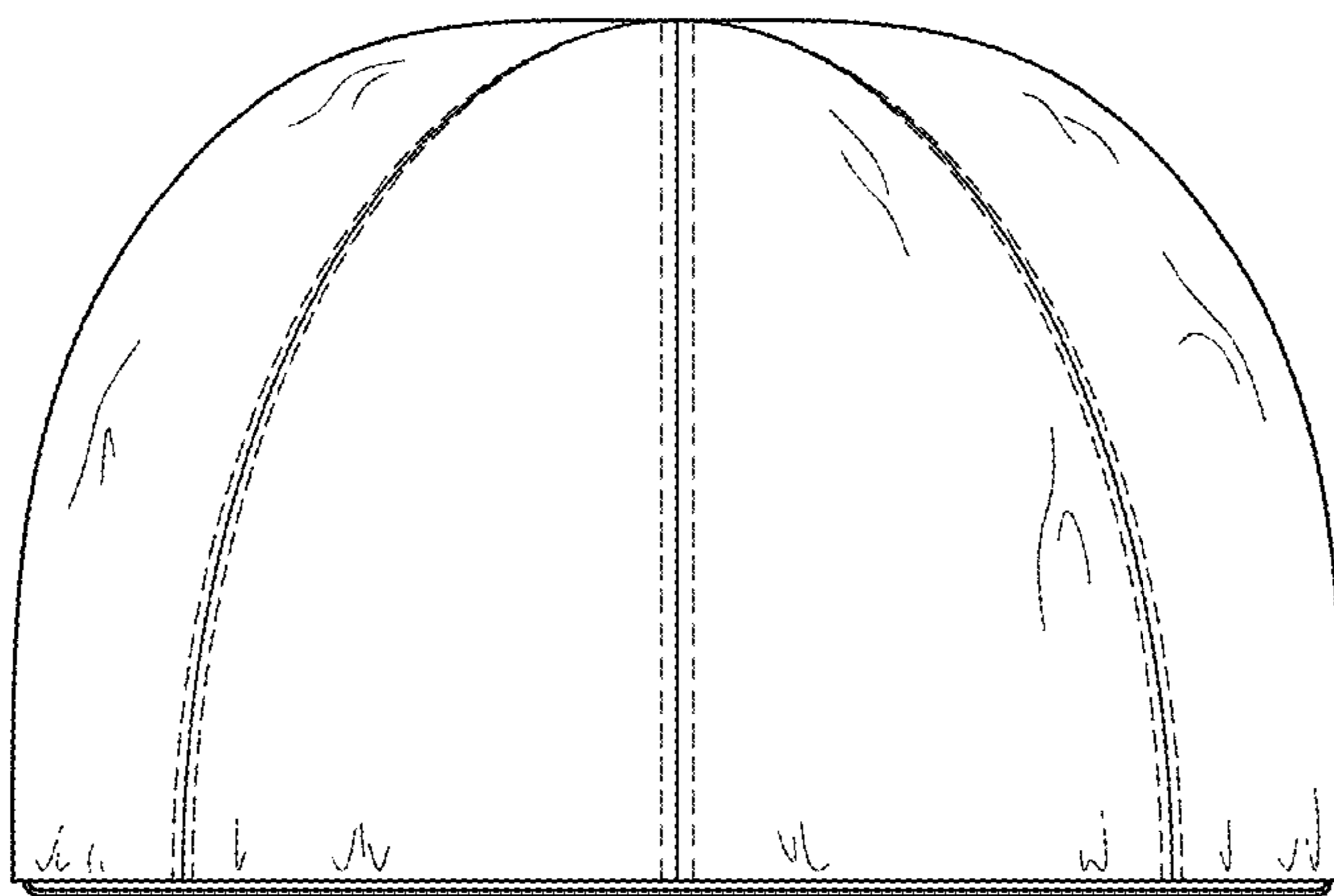


FIG. 3

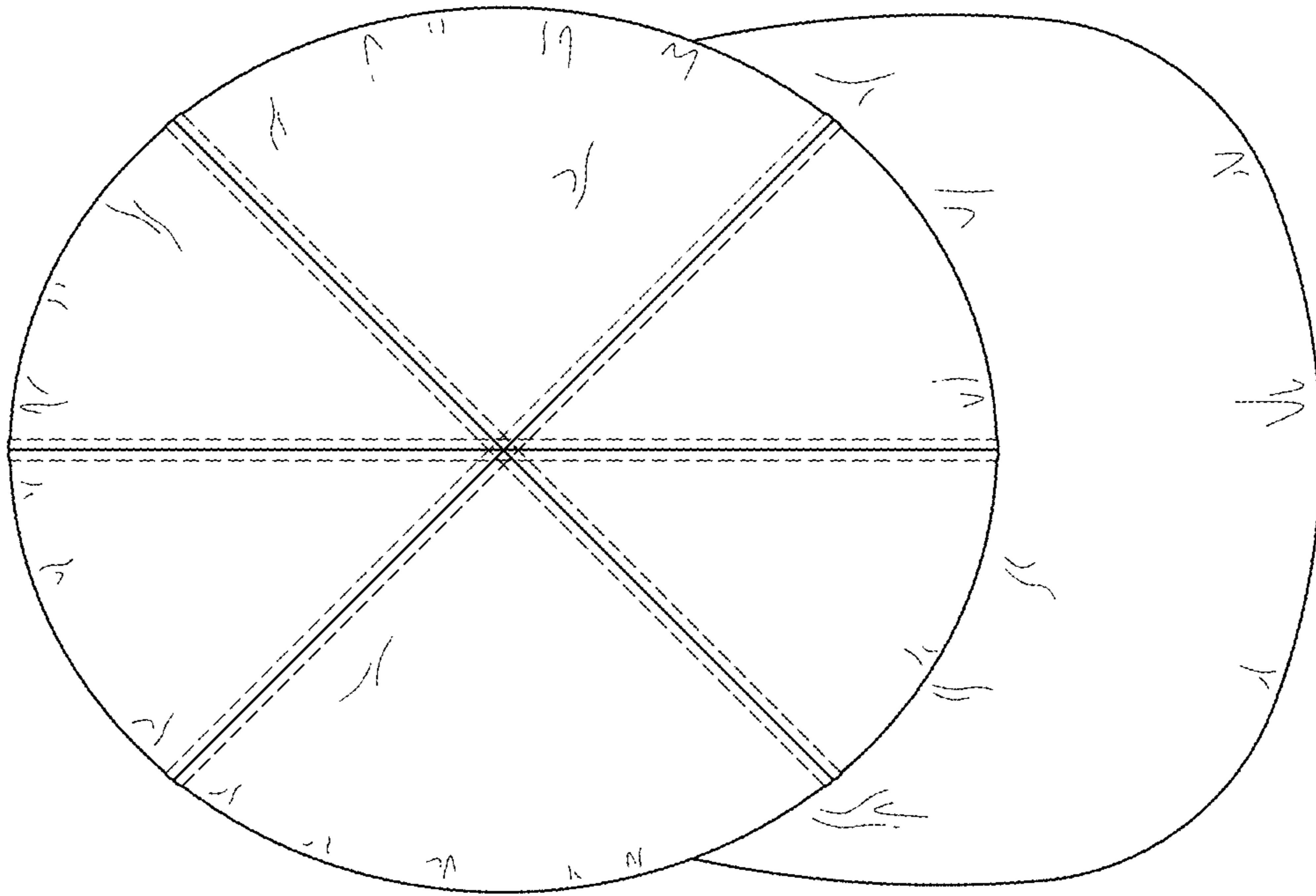


FIG. 4

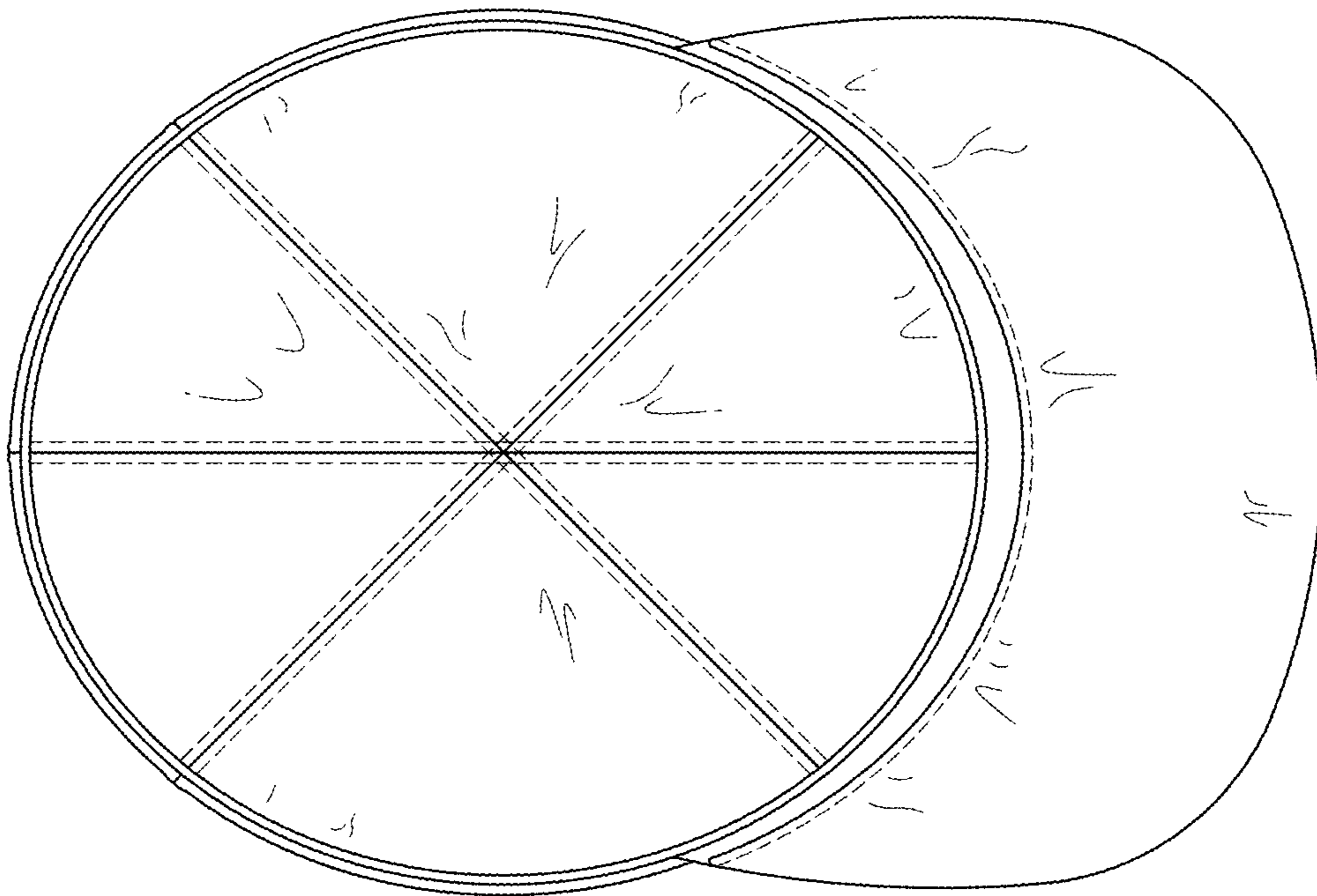


FIG. 5

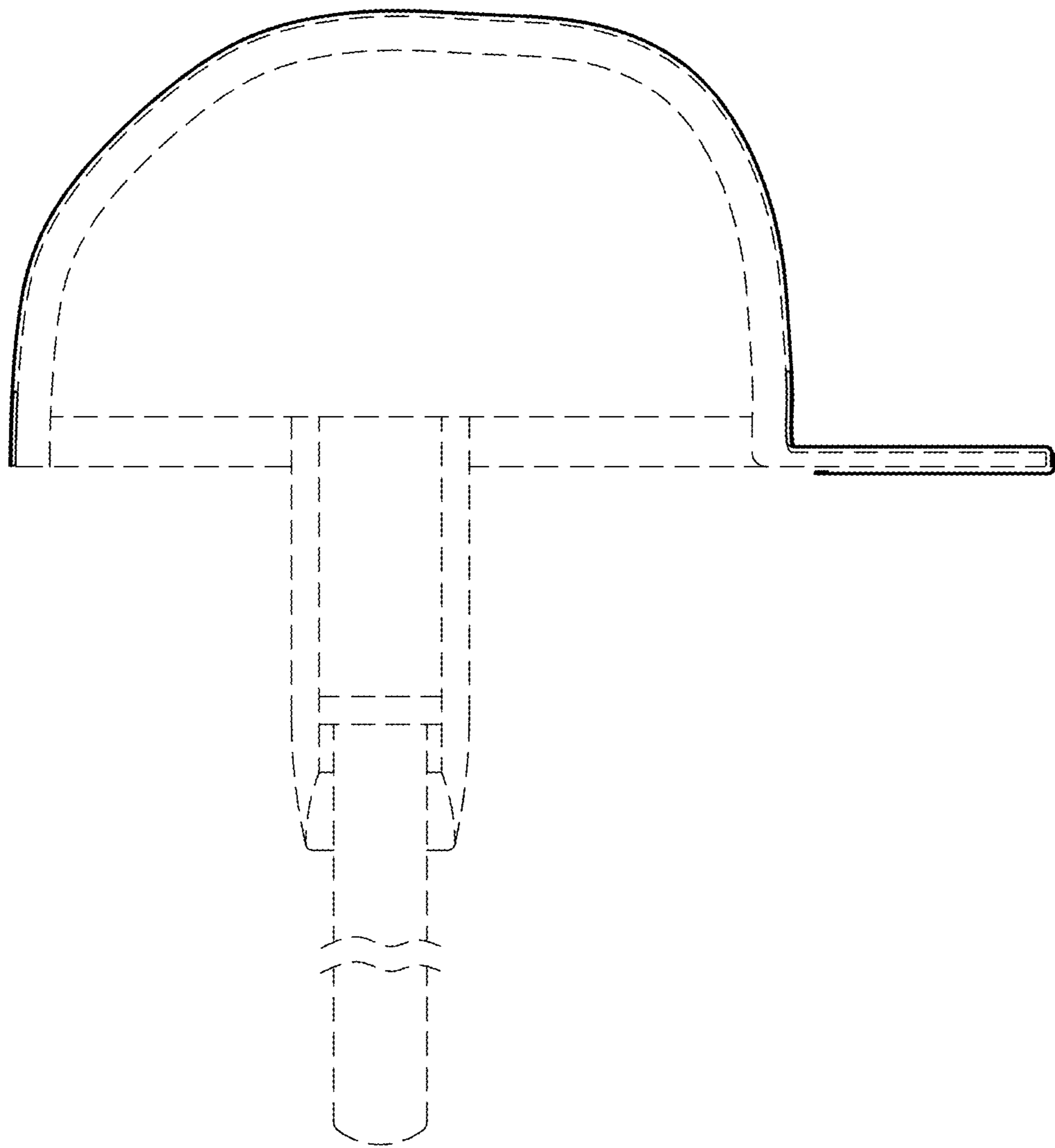


FIG. 6