



US00D793009S

(12) **United States Design Patent**
Yang

(10) **Patent No.:** **US D793,009 S**
(45) **Date of Patent:** **** Jul. 25, 2017**

(54) **WELDERS' MASK**

D654,634 S * 2/2012 Wu D29/110

(71) Applicant: **Ningo Geostar Photoelectric Technology Co., Ltd**, Zhejiang Province (CN)

* cited by examiner

Primary Examiner — Robert Delehanty

(72) Inventor: **Zhaolin Yang**, Zhejiang Province (CN)

(74) *Attorney, Agent, or Firm* — Prakash Nama; Global IP Services, PLLC

(**) Term: **15 Years**

(57) **CLAIM**

(21) Appl. No.: **29/562,807**

The ornamental design for a welders' mask, as shown.

(22) Filed: **Apr. 29, 2016**

(51) **LOC (10) Cl.** **29-02**

(52) **U.S. Cl.**
USPC **D29/110**

DESCRIPTION

(58) **Field of Classification Search**
USPC D29/110, 102, 106-107, 122
CPC .. A61F 9/06; A61F 9/061; A61F 9/064; A61F 9/065; A61F 9/067; A61F 9/068
See application file for complete search history.

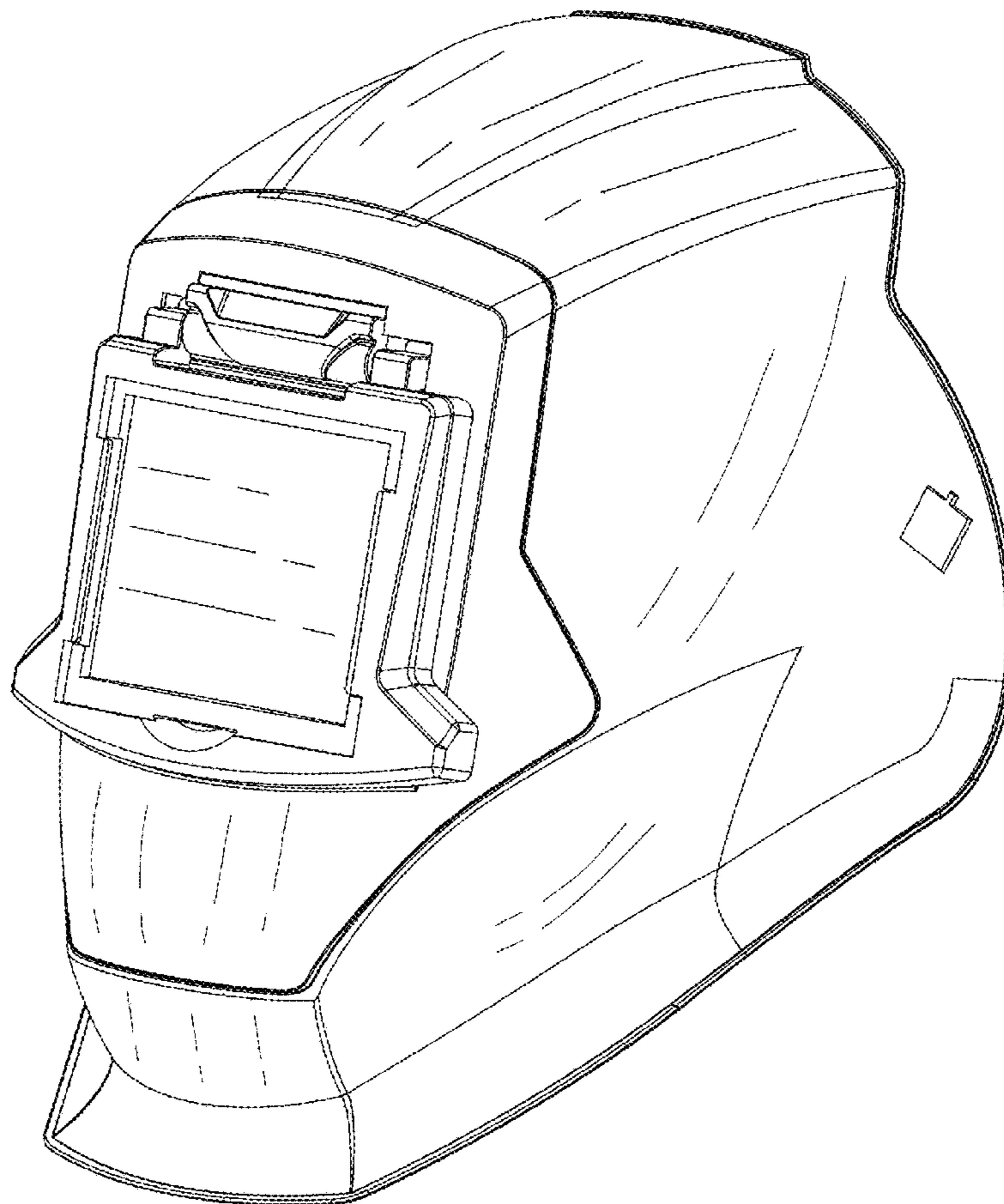
FIG. 1 is a front elevational view of a welders' mask showing my new design;
FIG. 2 is a rear elevational view thereof;
FIG. 3 is a left side view thereof;
FIG. 4 is a right side view thereof;
FIG. 5 is a top plan view thereof;
FIG. 6 is a bottom plan view thereof;
FIG. 7 is a perspective view thereof;
FIG. 8 is a second perspective view thereof; and,
FIG. 9 is a perspective view with the window opened.

(56) **References Cited**

U.S. PATENT DOCUMENTS

D324,588 S * 3/1992 Metzger D29/110
D446,887 S * 8/2001 Young D29/107
D527,849 S * 9/2006 Huh D29/110

1 Claim, 9 Drawing Sheets



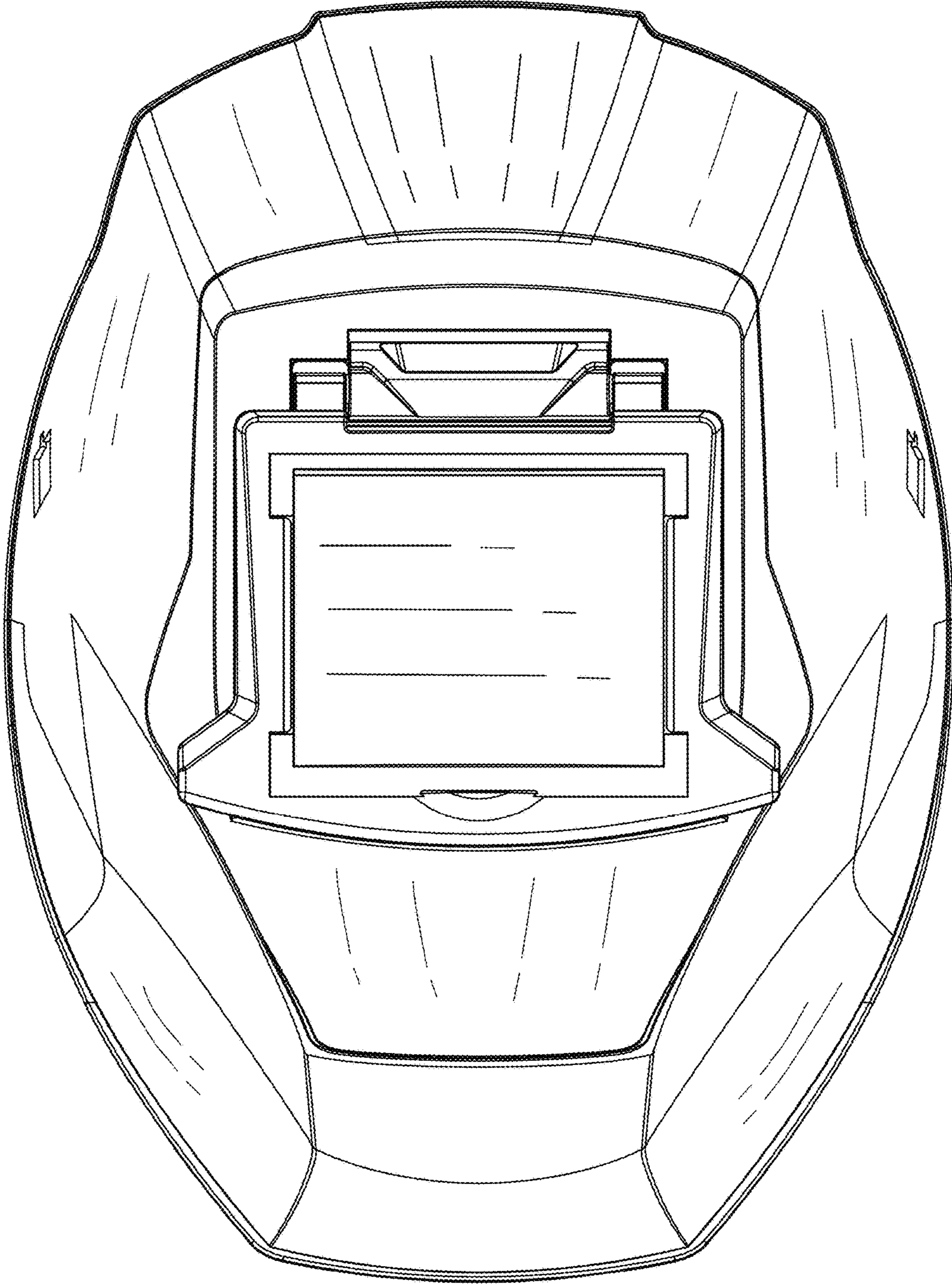


FIG. 1

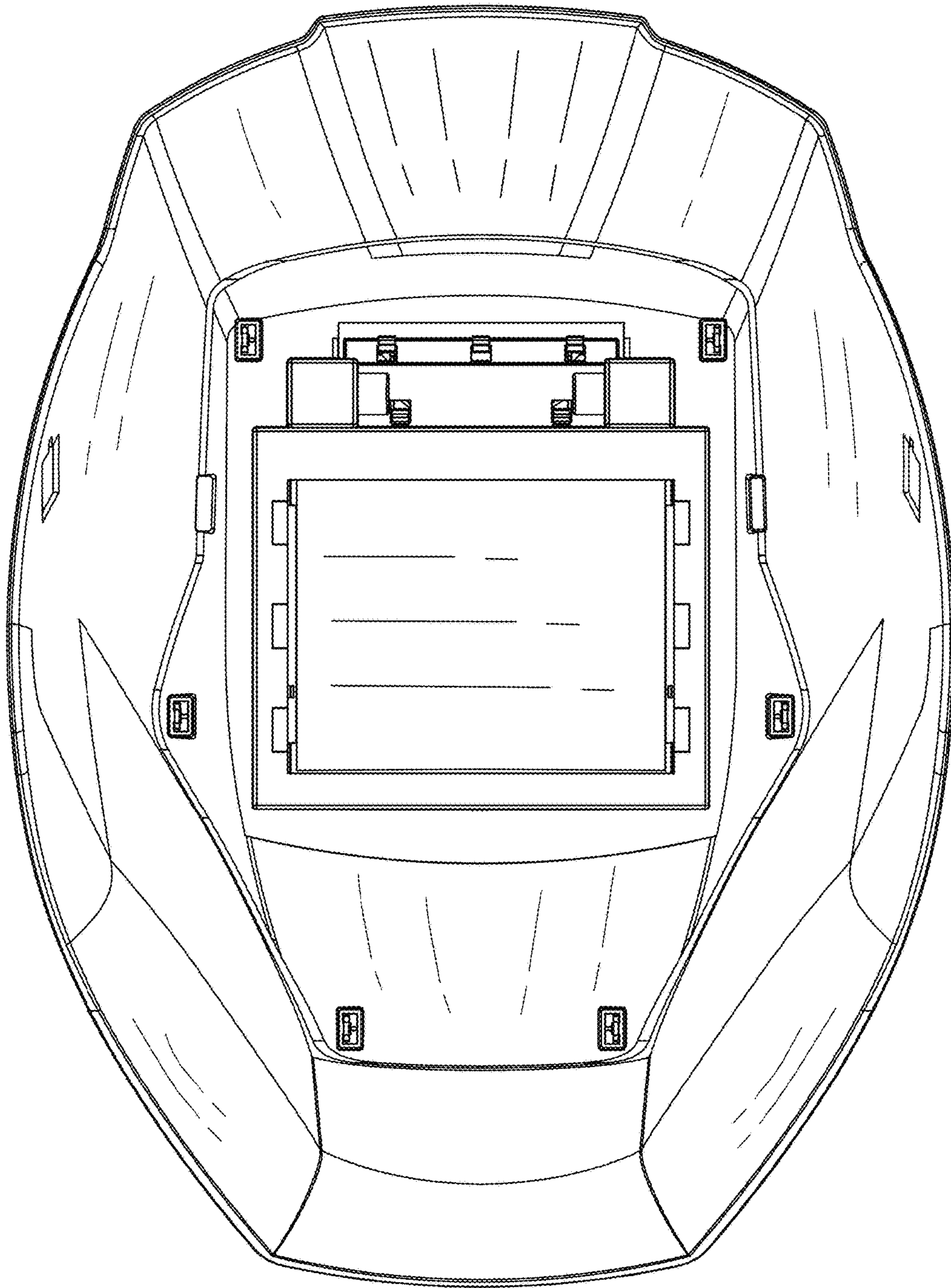


FIG. 2

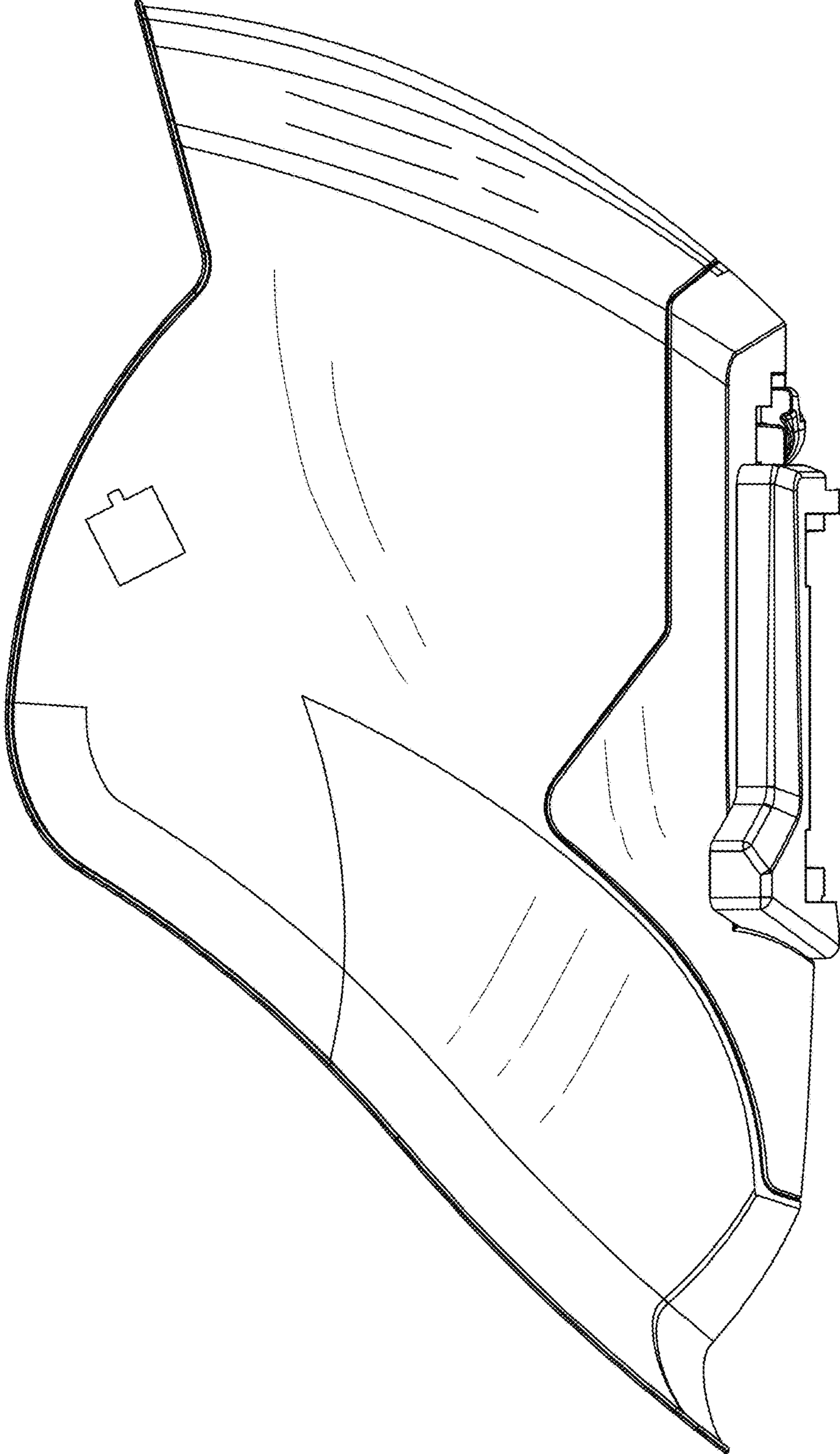


FIG. 3

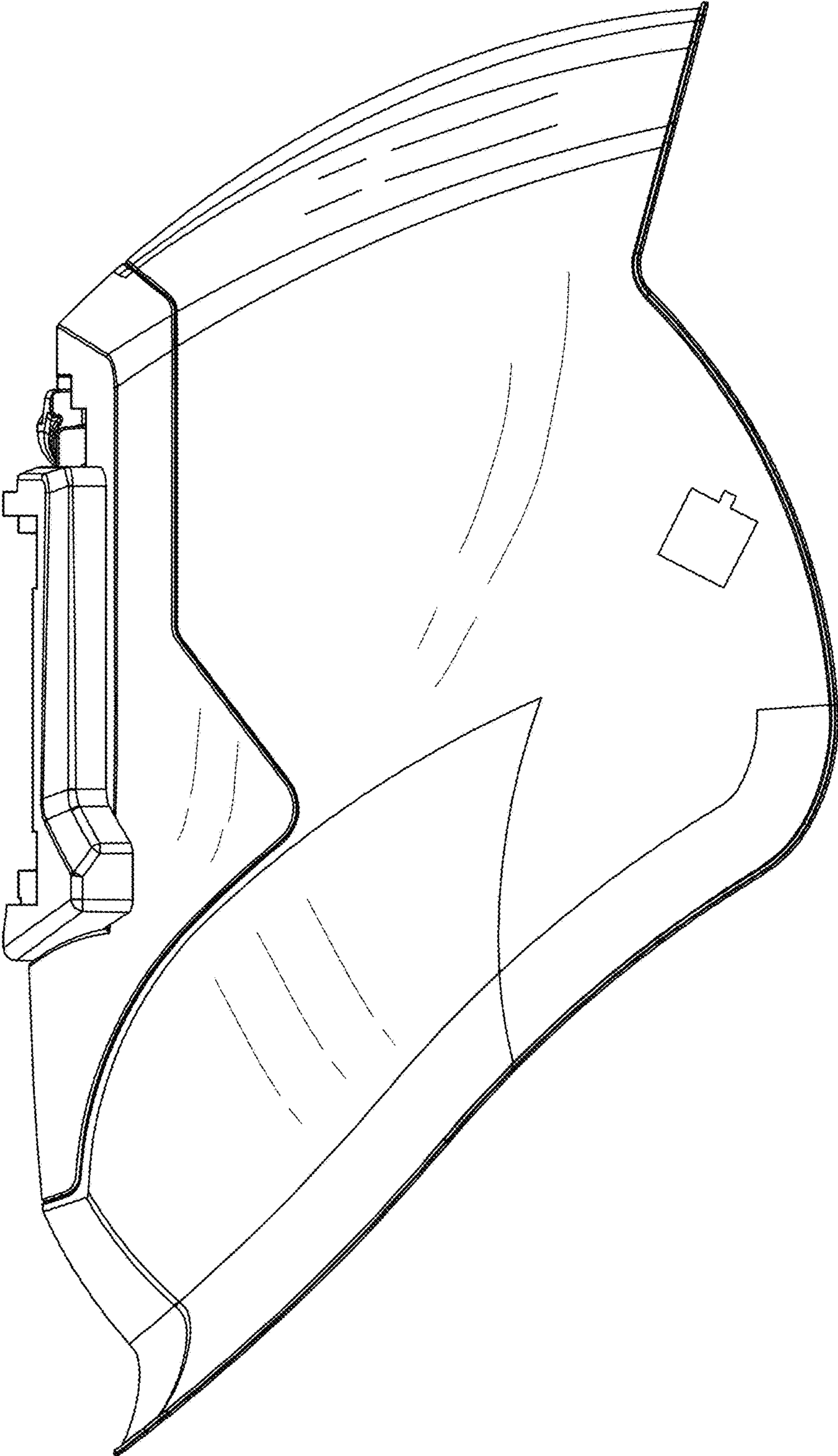


FIG. 4

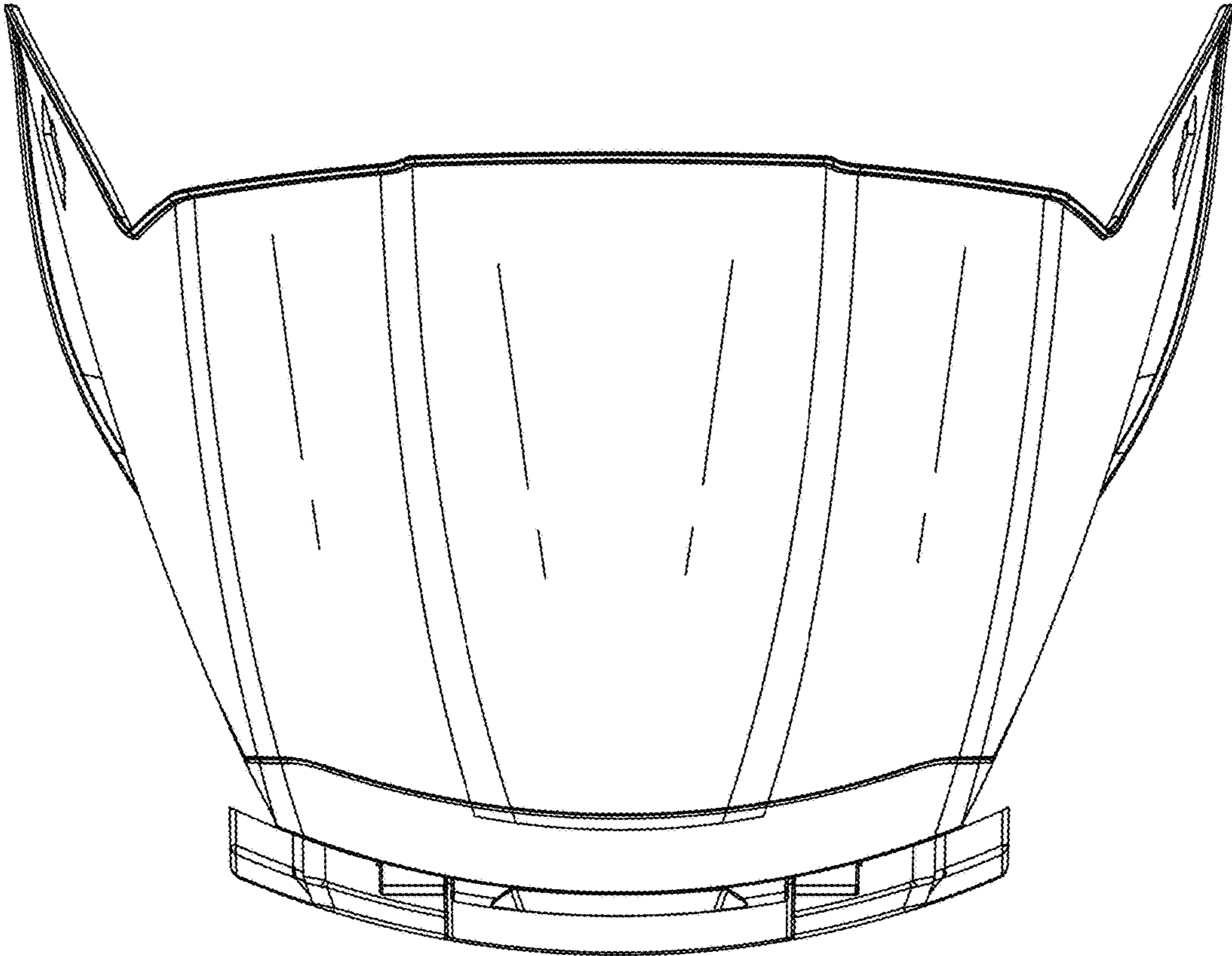


FIG. 5

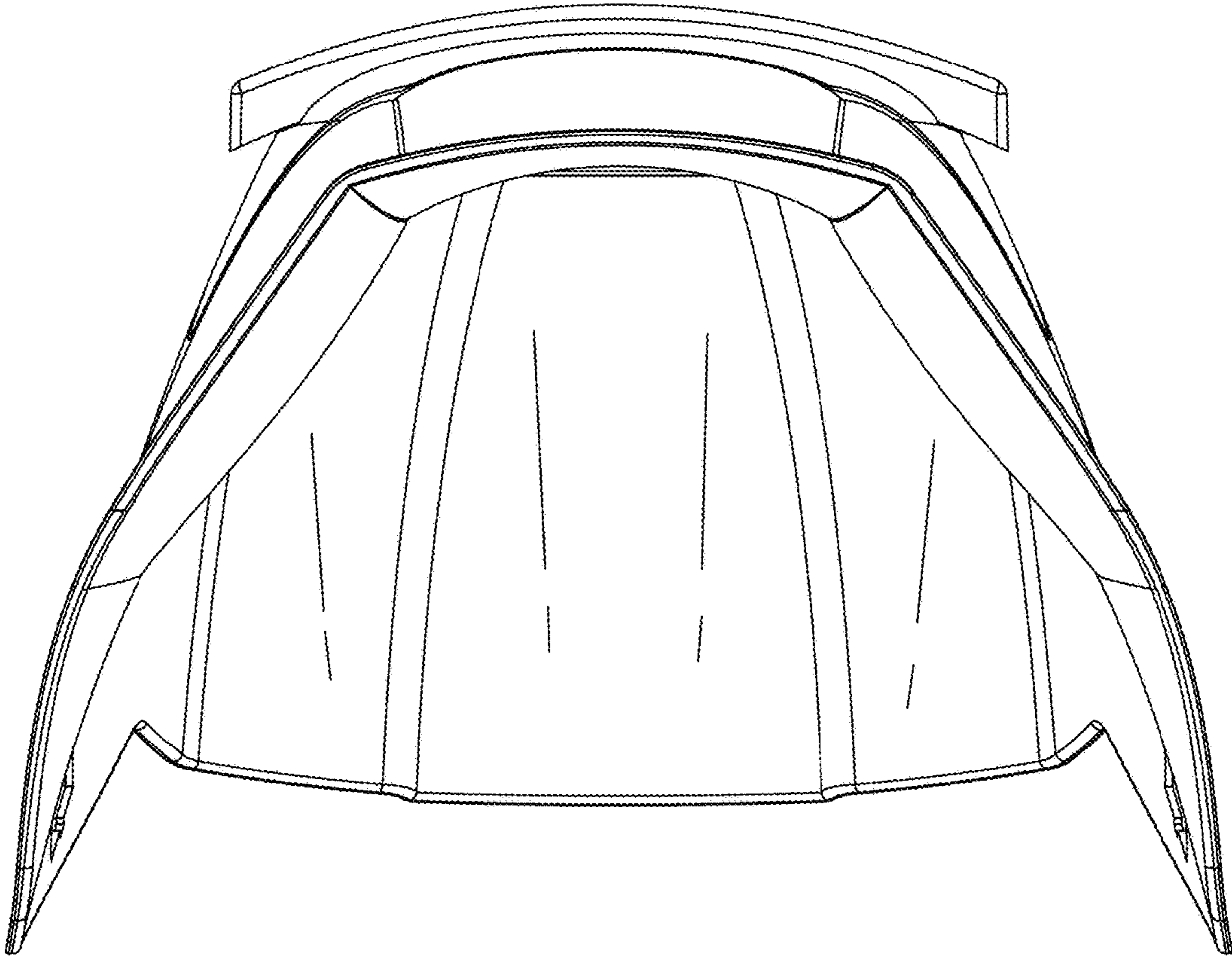


FIG. 6

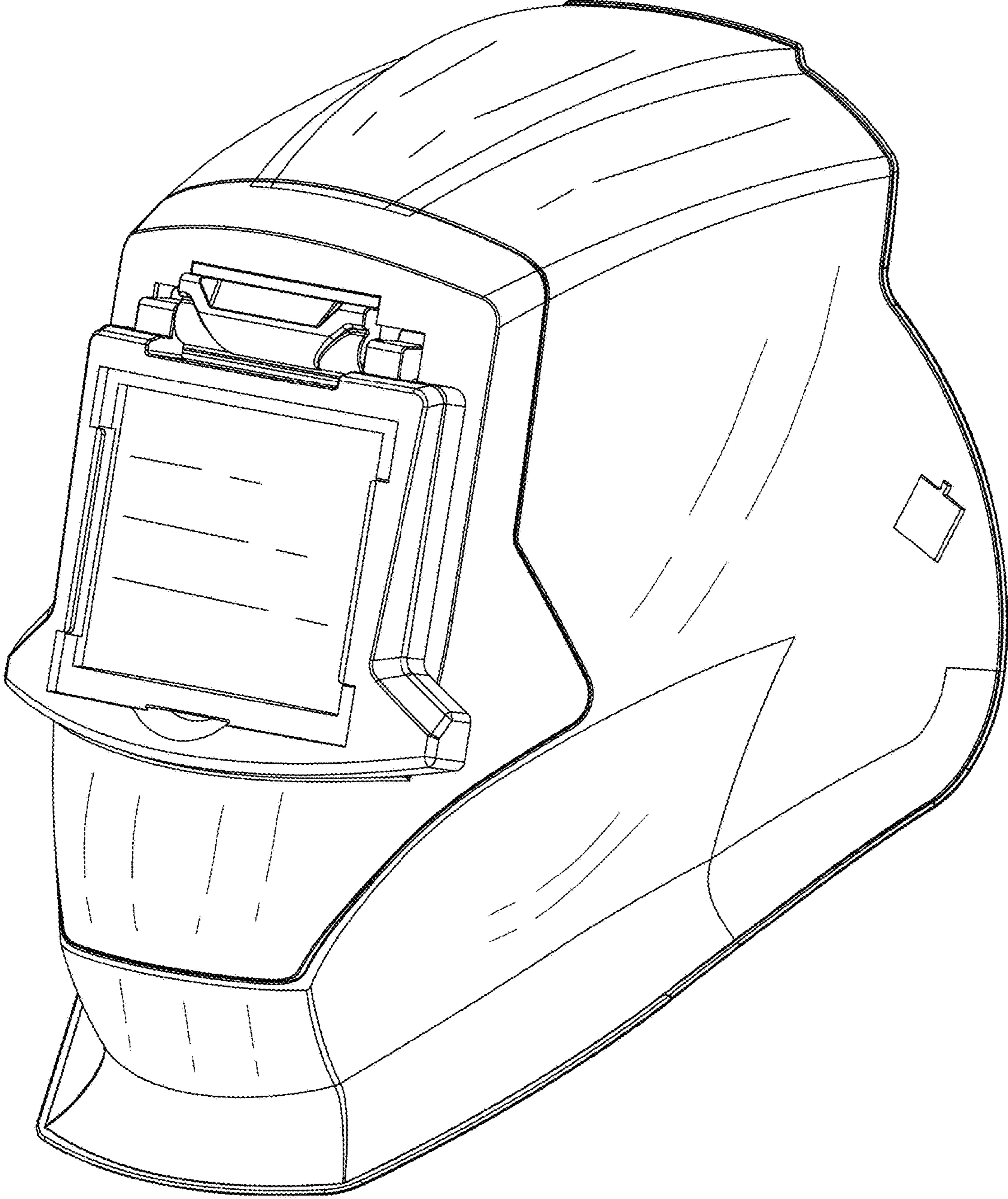


FIG. 7

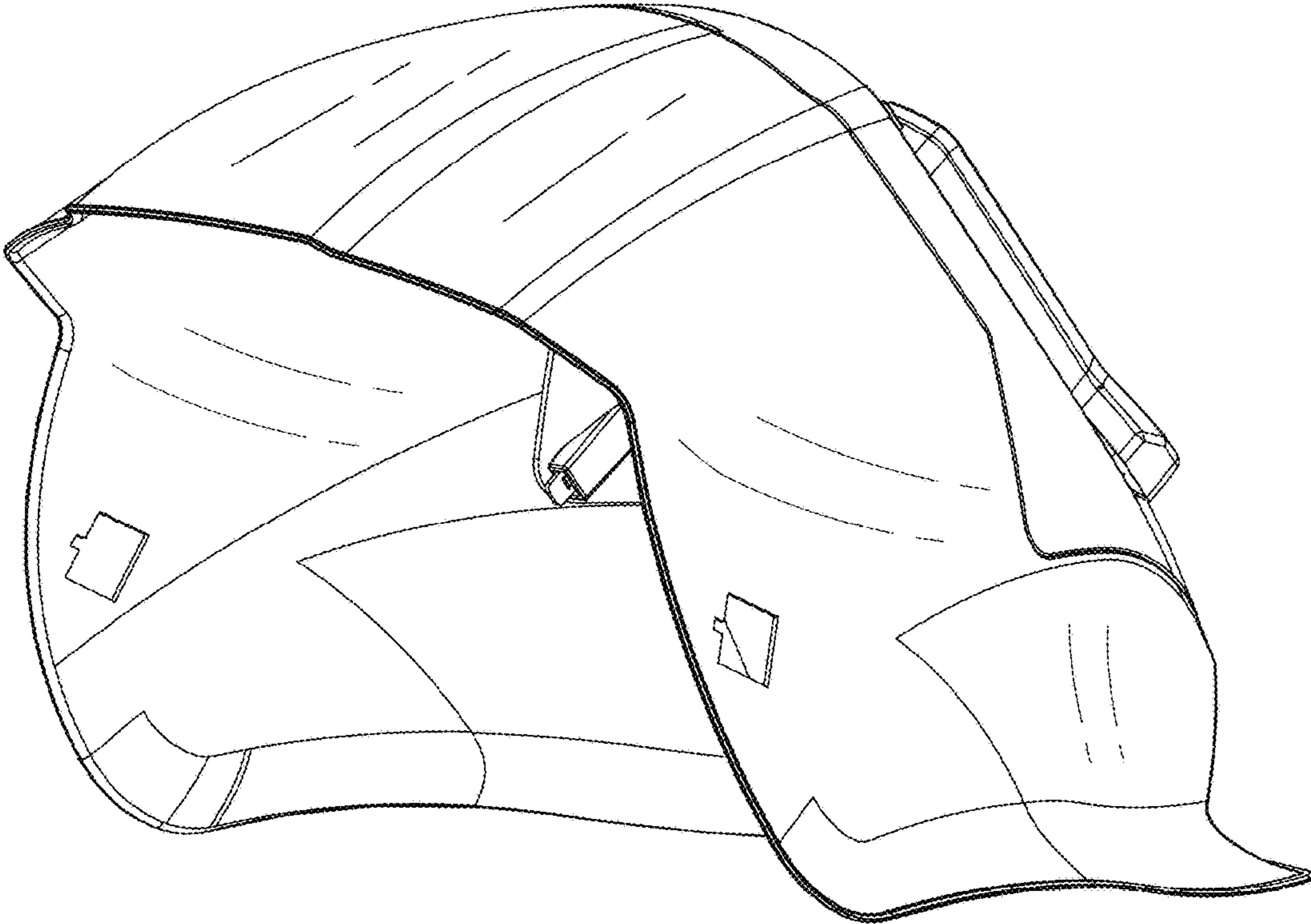


FIG. 8

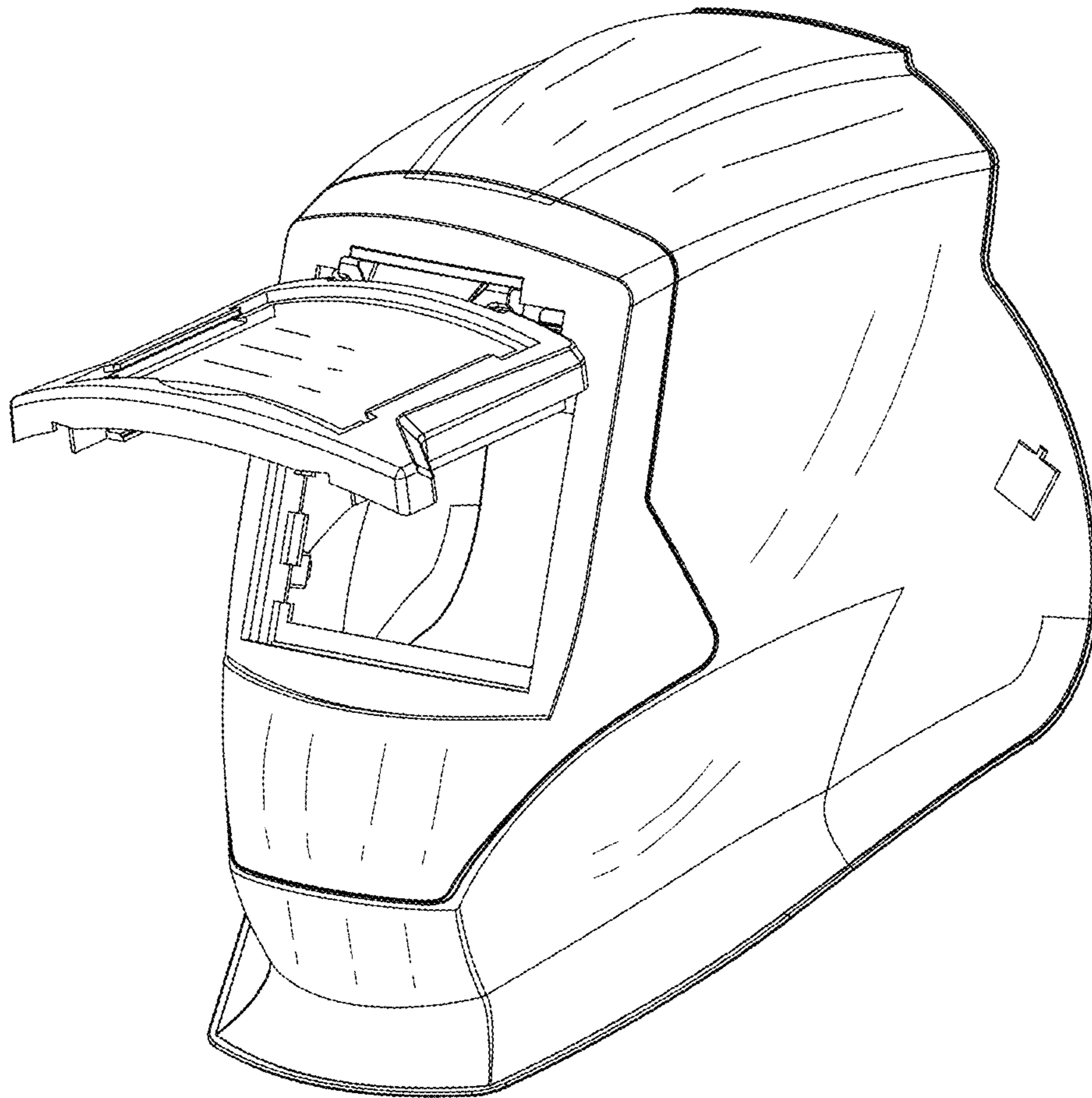


FIG. 9