



US00D793006S

(12) **United States Design Patent** (10) **Patent No.:** **US D793,006 S**
Toh (45) **Date of Patent:** **** Jul. 25, 2017**

(54) SOAP BAR	D204,648 S	5/1966	Bonardi
	D209,881 S	1/1968	Vanderhyde
(71) Applicant: COLGATE-PALMOLIVE COMPANY , New York, NY (US)	D210,709 S	4/1968	Livingston
	D269,127 S	5/1983	Christianson
(72) Inventor: Kiat-Cheong Toh , Forest Hills, NY (US)	D343,919 S	2/1994	Crawford
	D346,241 S	4/1994	Crawford
	D348,540 S	7/1994	Crawford
	D348,541 S	7/1994	Crawford
	D356,474 S	3/1995	Chow
(73) Assignee: COLGATE-PALMOLIVE COMPANY , New York, NY (US)	D467,385 S	12/2002	Crawford
	D470,385 S	2/2003	Chen
	D520,186 S	5/2006	Caroen
(**) Term: 15 Years	D547,492 S	7/2007	Caroen
(21) Appl. No.: 29/580,463	D624,696 S	9/2010	Hsiao
	D665,945 S	8/2012	Macias
(22) Filed: Oct. 10, 2016	D743,100 S *	11/2015	Crawford D28/8.1
	D752,288 S *	3/2016	Crawford D28/8.1

(Continued)

Related U.S. Application Data

(62) Division of application No. 29/559,074, filed on Mar. 24, 2016, now Pat. No. Des. 773,732, which is a division of application No. 29/501,340, filed on Sep. 3, 2014, now Pat. No. Des. 754,925.

(51) **LOC (10) Cl.** **28-02**

(52) **U.S. Cl.**
USPC **D28/8.1**

(58) **Field of Classification Search**
USPC 510/141, 147, 148; D28/8.1-8.2
CPC . C11D 17/00; C11D 17/0017; C11D 17/0026;
C11D 17/0047-17/0095; C11D 13/16;
C11D 13/18; C11D 13/20; C11D 17/02
See application file for complete search history.

References Cited

U.S. PATENT DOCUMENTS

D51,395 S	10/1917	Schwartzberg
D131,541 S	3/1942	Stoner et al.
D201,111 S	5/1965	Home
D201,228 S	5/1965	Home
D201,229 S	5/1965	Burke

FOREIGN PATENT DOCUMENTS

AR	81924	10/2011
BR	DI7100077-1	10/2011

(Continued)

Primary Examiner — Jennifer Rivard

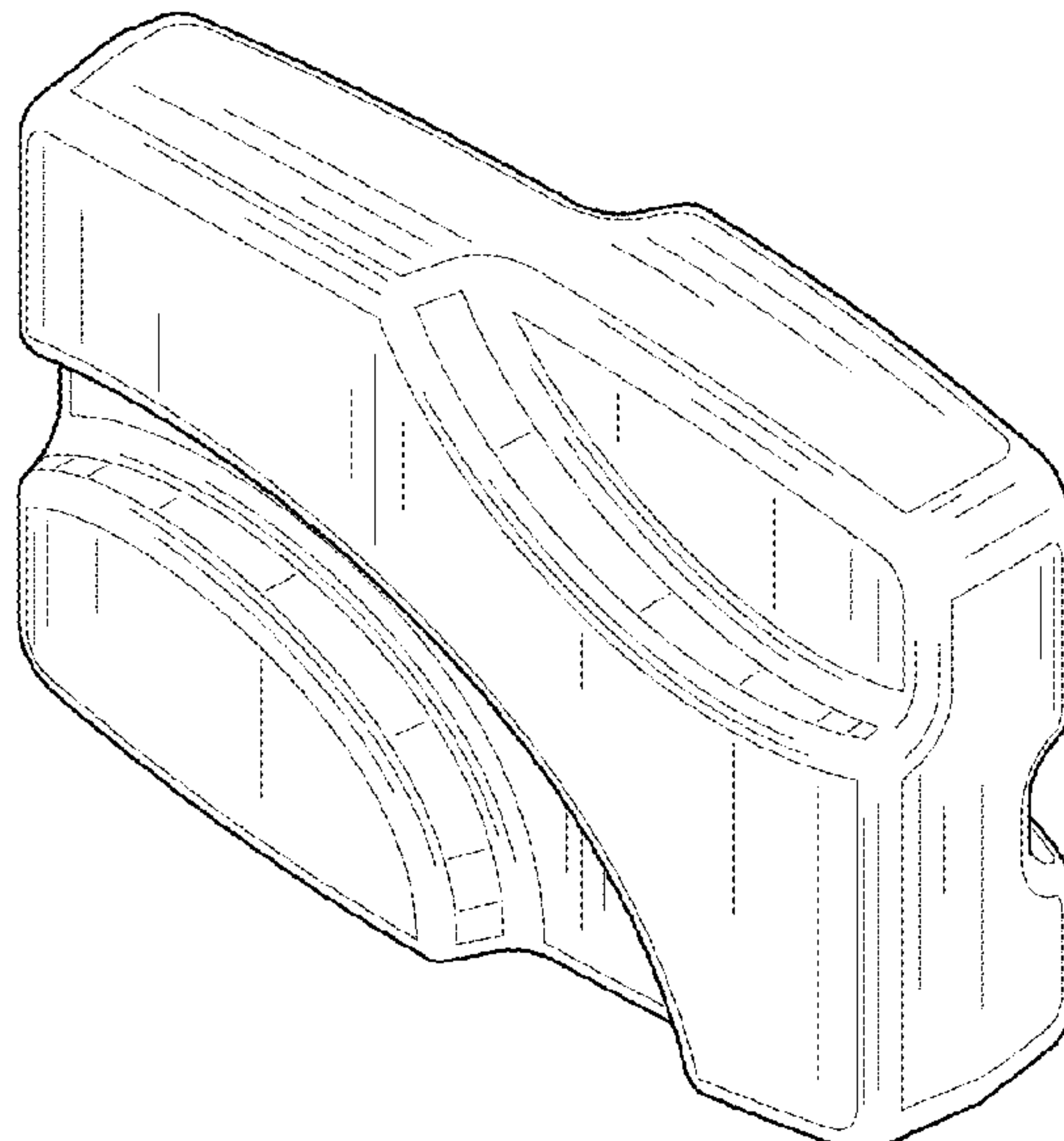
(57) **CLAIM**

The ornamental design for a soap bar, as shown and described.

DESCRIPTION

FIG. 1 is a front perspective view of a soap bar according to the nee design;
 FIG. 2 is a rear perspective view thereof;
 FIG. 3 is a front view thereof;
 FIG. 4 is a rear view thereof;
 FIG. 5 is a left side view thereof;
 FIG. 6 is a right side view thereof;
 FIG. 7 is a top plan view thereof; and,
 FIG. 8 is a bottom plan view thereof.

1 Claim, 5 Drawing Sheets



(56)

References Cited

U.S. PATENT DOCUMENTS

D752,809 S	*	3/2016	Crawford	D28/8.1
D754,924 S	*	4/2016	Crawford	D28/8.1
D754,925 S	*	4/2016	Toh	D28/8.1
D772,482 S	*	11/2016	Crawford	D28/8.1
D773,117 S	*	11/2016	Crawford	D28/8.1
D773,732 S	*	12/2016	Toh	D28/8.1

FOREIGN PATENT DOCUMENTS

EM	002023226-0001	4/2012
MX	16178	10/2000
WO	DM 053532	10/2000
WO	DM 075416	2/2011

* cited by examiner

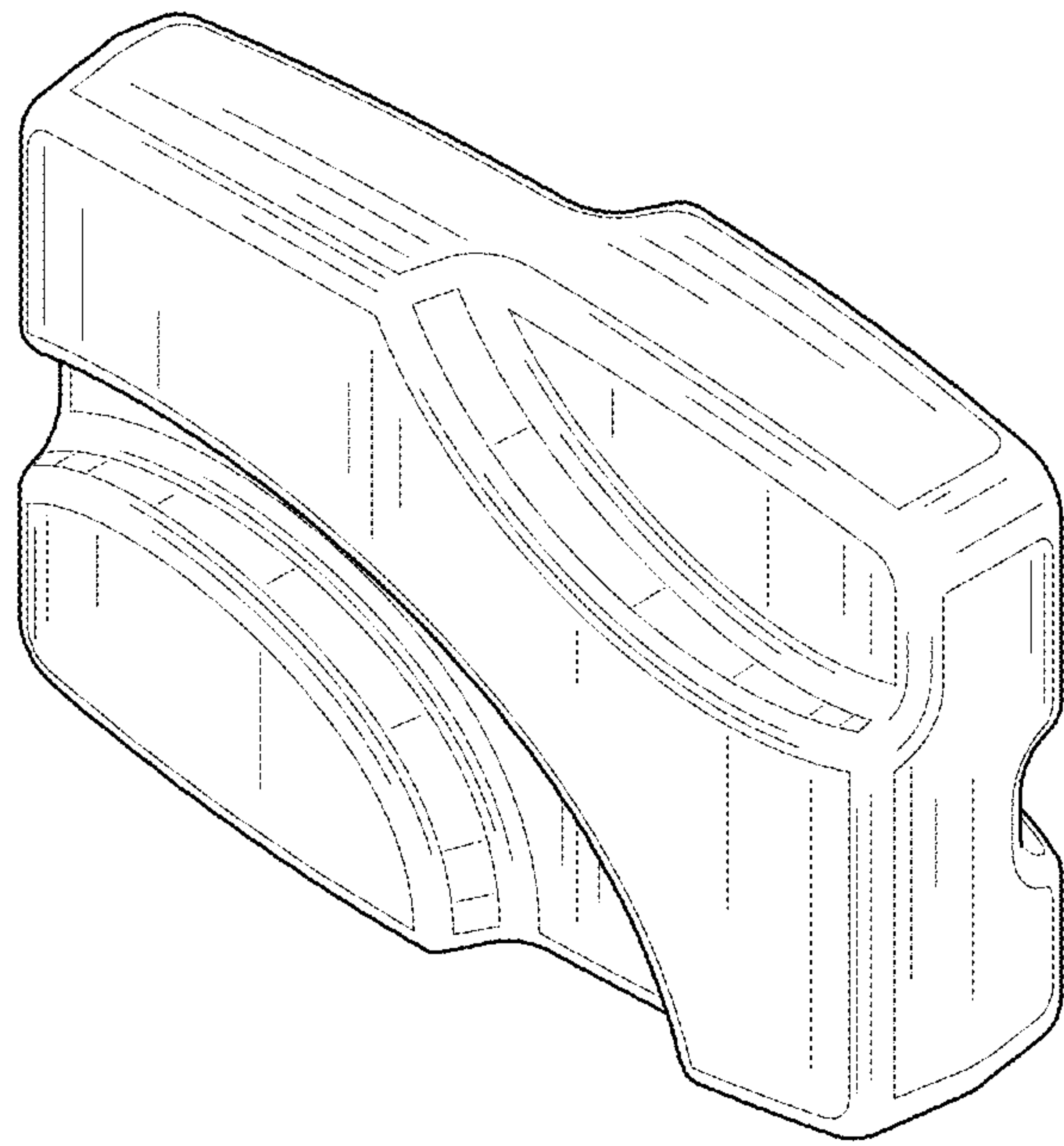


FIG. 1

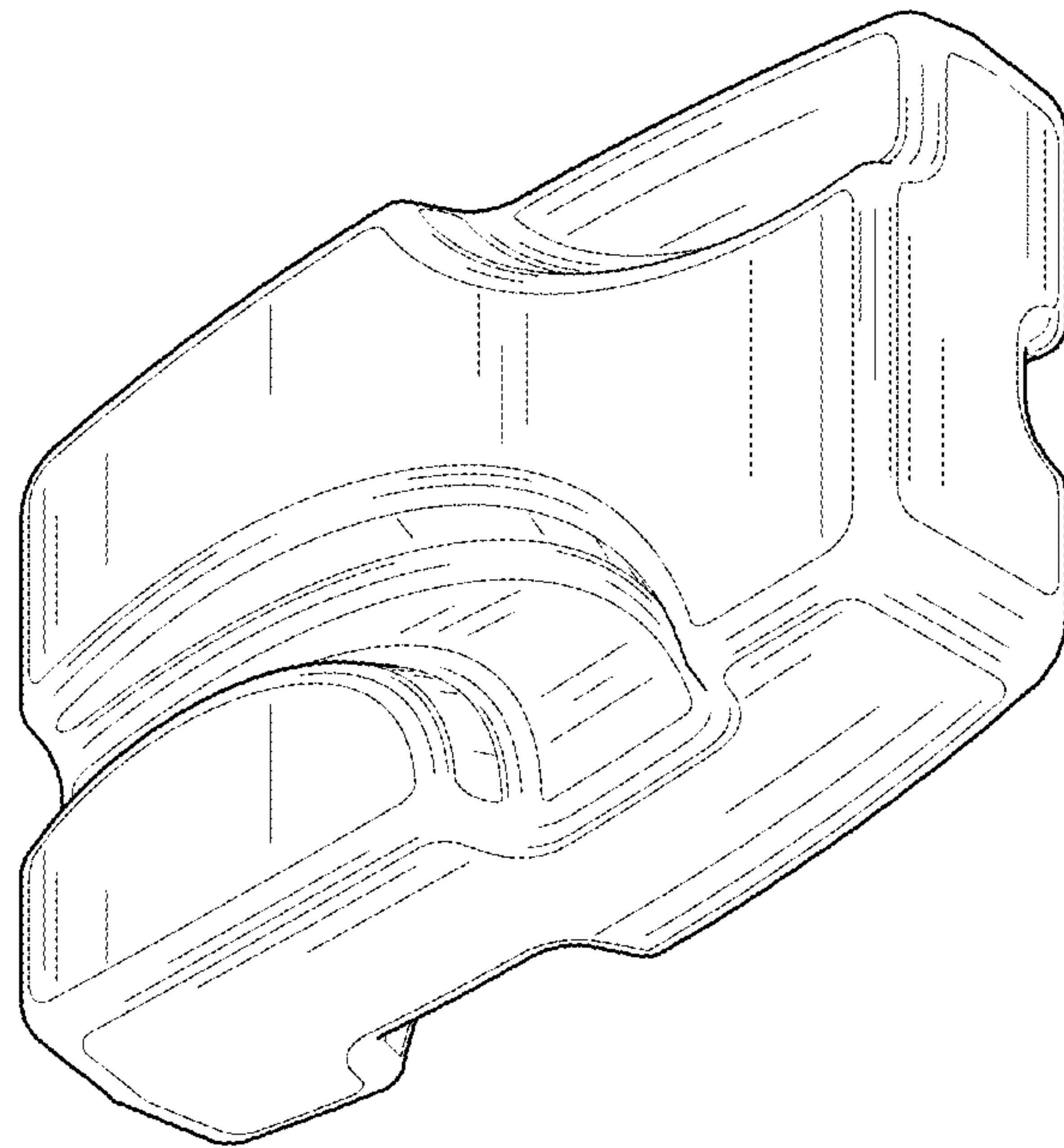


FIG. 2

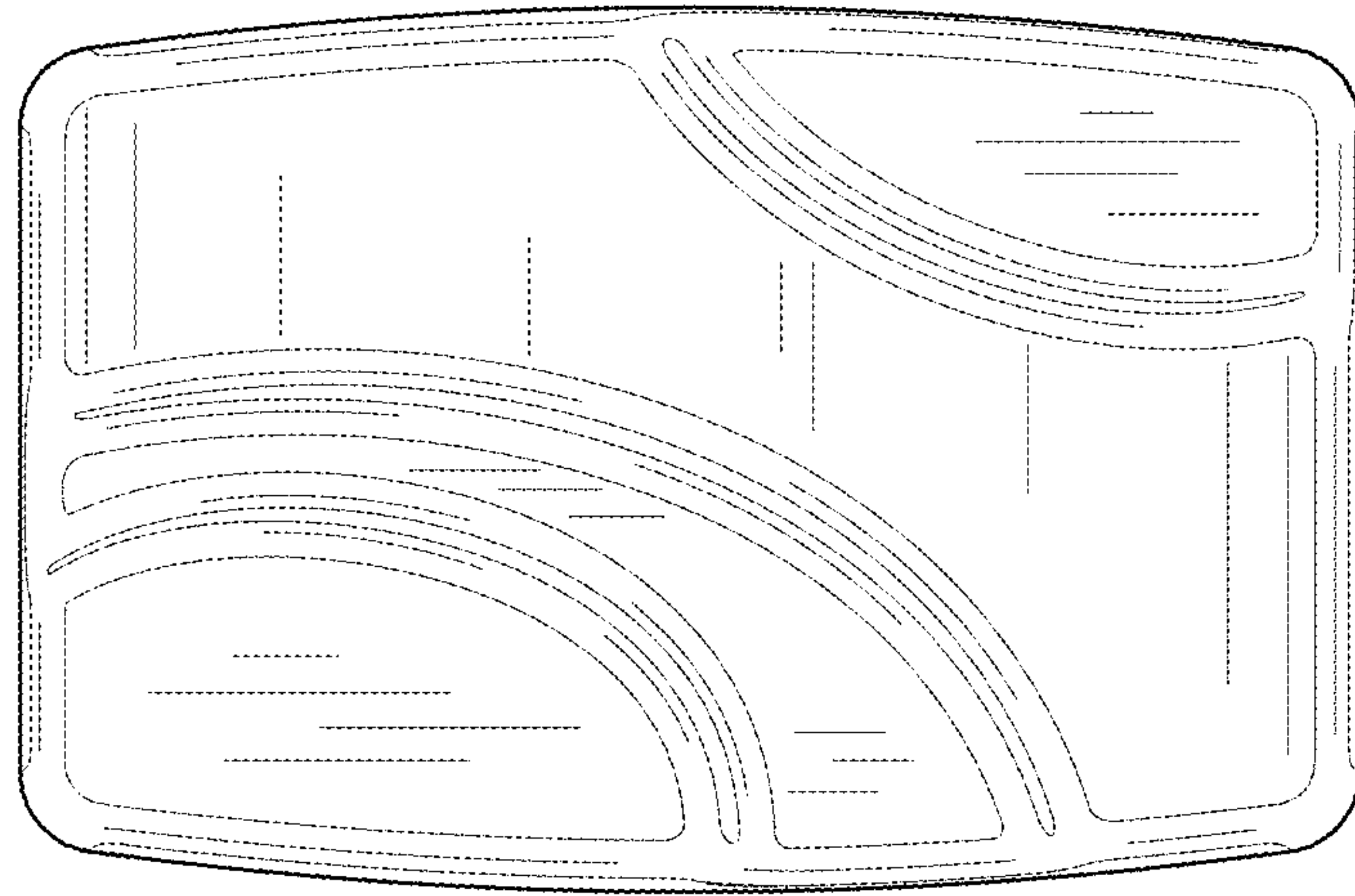


FIG. 3

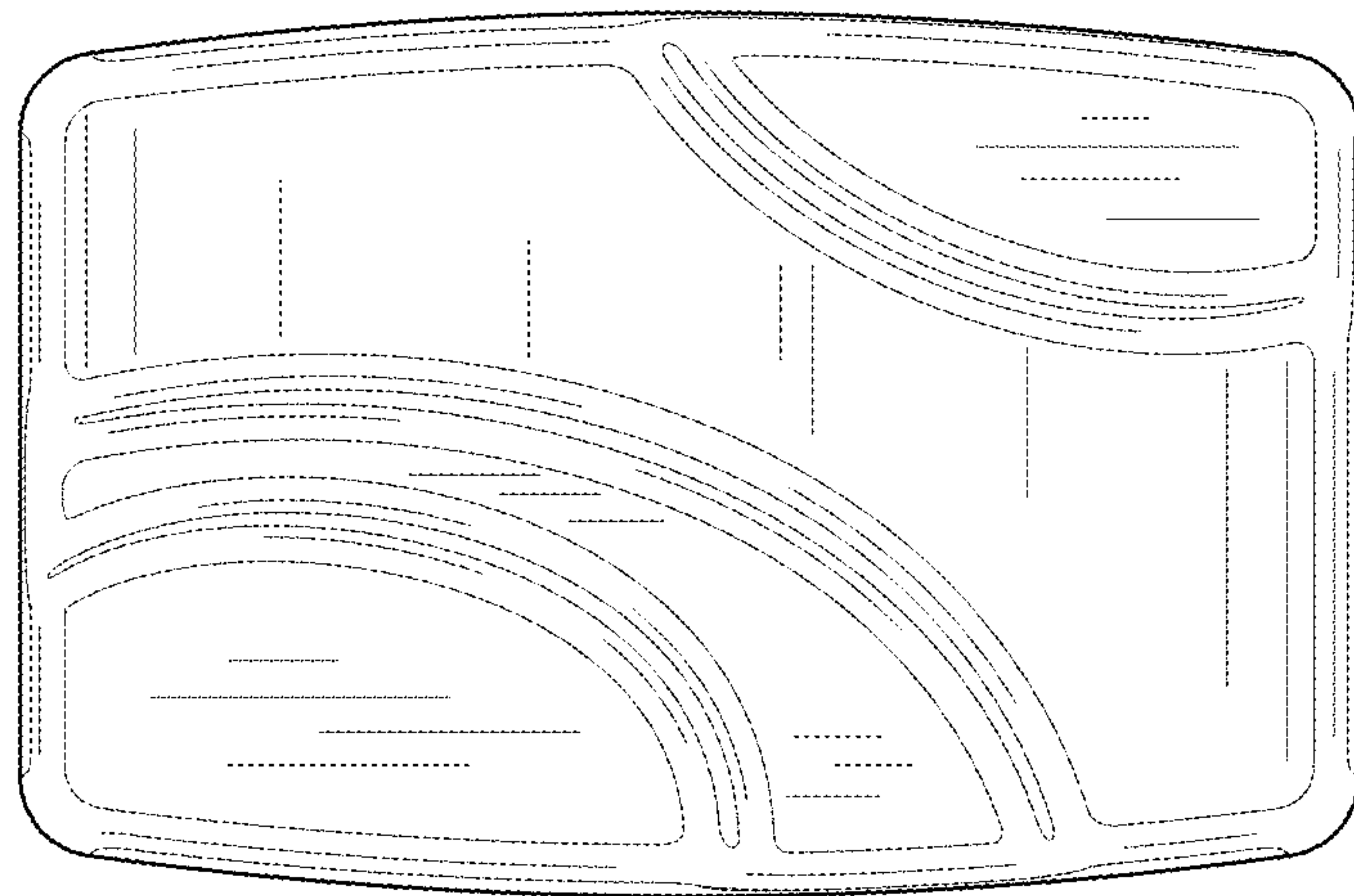


FIG. 4

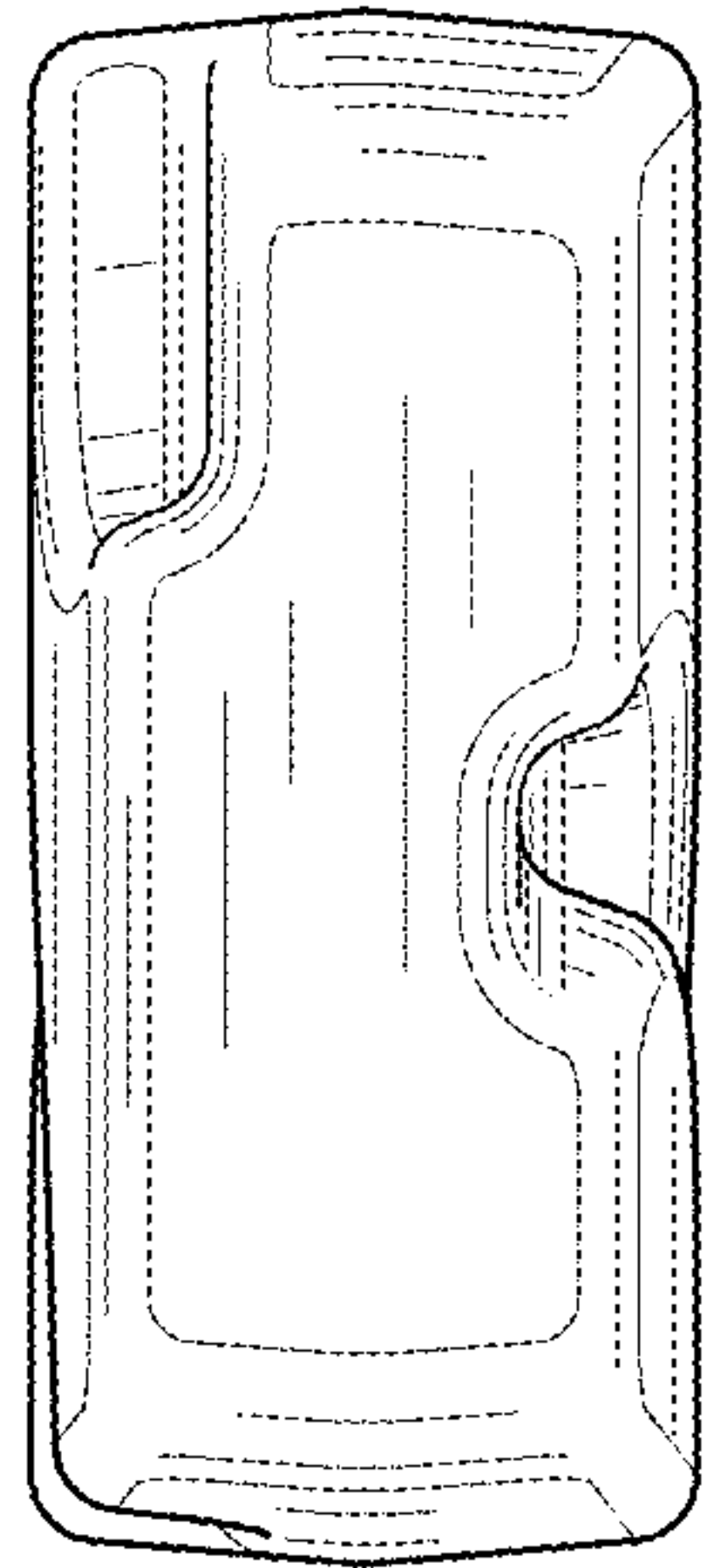


FIG. 5

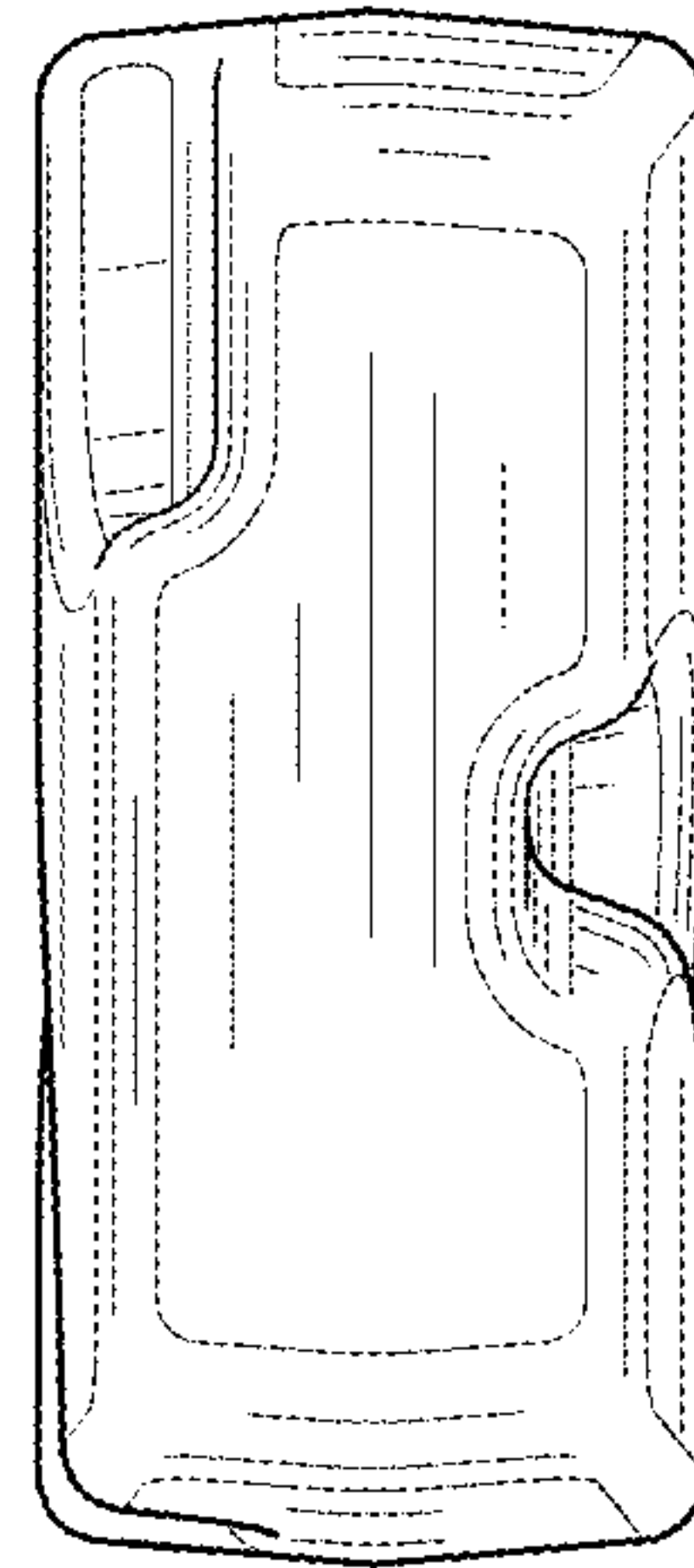


FIG. 6

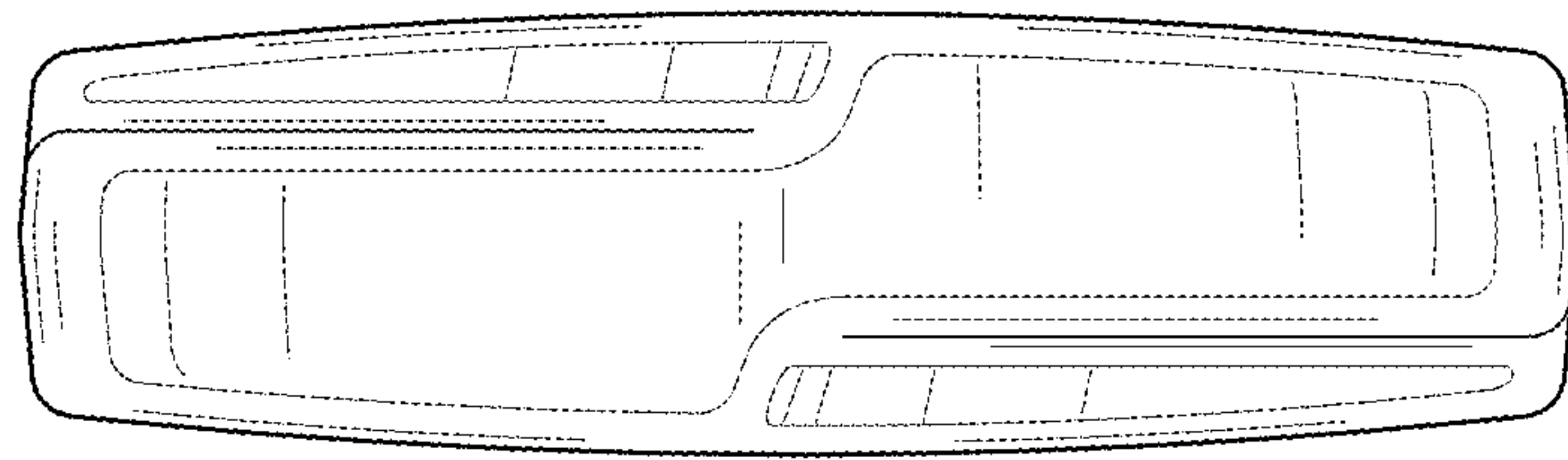


FIG. 7

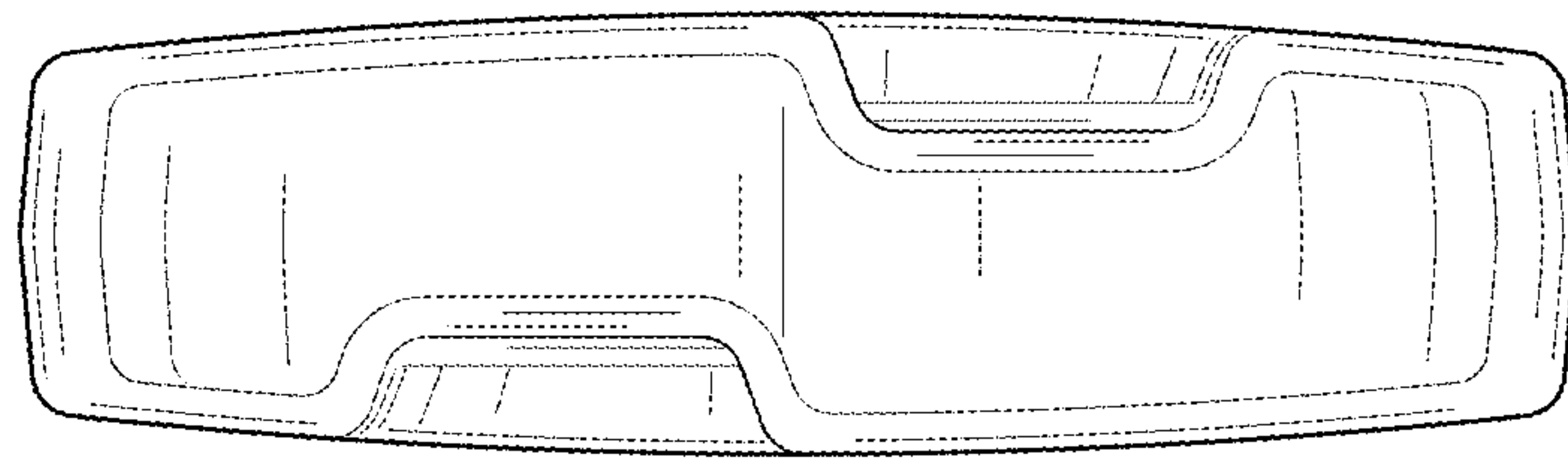


FIG. 8