



US00D793005S

(12) **United States Design Patent**
Scott et al.

(10) **Patent No.:** **US D793,005 S**
(45) **Date of Patent:** **** Jul. 25, 2017**

- (54) **DISPENSER FOR E-LIQUID**
- (71) Applicant: **Nerudia Limited**, Liverpool (GB)
- (72) Inventors: **Kenneth Scott**, Manchester (GB); **Tom Sudlow**, Manchester (GB)
- (73) Assignee: **Nerudia Limited**, Liverpool (GB)
- (**) Term: **15 Years**
- (21) Appl. No.: **29/529,659**
- (22) Filed: **Jun. 9, 2015**
- (51) **LOC (10) Cl.** **27-06**
- (52) **U.S. Cl.**
USPC **D27/189**
- (58) **Field of Classification Search**
USPC D3/203.1, 203.6, 20; D9/432, 686, 724;
D13/118, 119, 184; D27/100, 139, 141,
D27/142, 143, 144, 162, 163, 164, 167,
D27/172-193, 194; D7/300.1, 510, 511
CPC A24F 47/00; A24F 47/008; H05B 3/03;
A61M 16/108; A61M 16/10; B65D
85/1045
See application file for complete search history.

(56) **References Cited**

U.S. PATENT DOCUMENTS

D323,292 S *	1/1992	Jones	D9/424
D346,878 S *	5/1994	Gee	D27/194
D355,275 S *	2/1995	Focke	D27/186
D381,261 S *	7/1997	Crawford	D9/529
D493,912 S *	8/2004	Wong	D27/141
D596,348 S *	7/2009	Buse	D27/189
D665,734 S *	8/2012	Fitch	D13/107
D671,678 S *	11/2012	Wu	D27/189
D691,420 S *	10/2013	McIntire	D7/510
D706,976 S *	6/2014	Wu	D27/189
D723,736 S *	3/2015	Liu	D27/189
D723,737 S *	3/2015	Liu	D27/189
D725,953 S *	4/2015	Gamelli	D7/300.1

D733,961 S *	7/2015	Wu	D27/189
D736,455 S *	8/2015	Liu	D27/189
D736,458 S *	8/2015	Liu	D27/189
D736,460 S *	8/2015	McKeon	D27/189
D736,995 S *	8/2015	Recio	D27/141
D737,507 S *	8/2015	Liu	D27/189
D737,508 S *	8/2015	Liu	D27/189
D752,282 S *	3/2016	Doster	D27/189
D752,283 S *	3/2016	Doster	D27/189

(Continued)

Primary Examiner — Robert M Spear

Assistant Examiner — Marissa J Cash

(74) *Attorney, Agent, or Firm* — McDonnell Boehnen
Hulbert & Berghoff LLP

(57) **CLAIM**

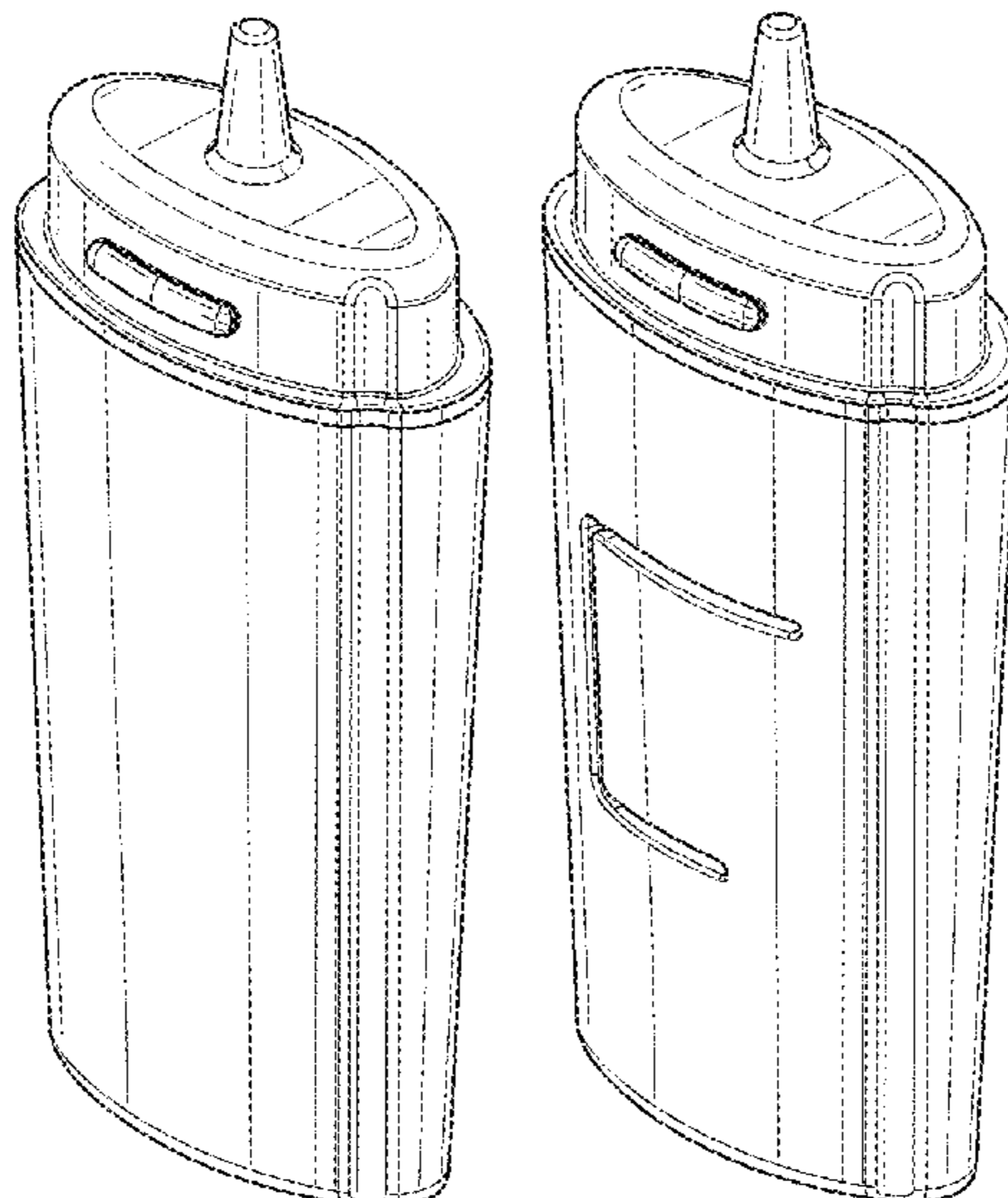
The ornamental design for a dispenser for e-liquid, as shown and described.

DESCRIPTION

FIG. 1 is a perspective view of a first embodiment of a dispenser for e-liquid of the present design;
 FIG. 2 is a front view thereof;
 FIG. 3 is a rear view thereof;
 FIG. 4 is a top view thereof;
 FIG. 5 is a bottom view thereof;
 FIG. 6 is left side view thereof;
 FIG. 7 is right side view thereof;
 FIG. 8 is a perspective view of a second embodiment of a dispenser for e-liquid of the present design;
 FIG. 9 is a front view thereof;
 FIG. 10 is a rear view thereof;
 FIG. 11 is a right side view thereof;
 FIG. 12 is a left side view thereof;
 FIG. 13 is a top view thereof; and,
 FIG. 14 is a bottom view thereof.

In the drawings, the broken lines depict environmental subject matter only and form no part of the claimed invention.

1 Claim, 14 Drawing Sheets



(56)

References Cited

U.S. PATENT DOCUMENTS

D753,336 S *	4/2016	Chen	D27/101
D753,338 S *	4/2016	Chen	D27/162
D756,563 S *	5/2016	Joyce, III	D27/189
D760,027 S *	6/2016	Meyers	D7/510

* cited by examiner

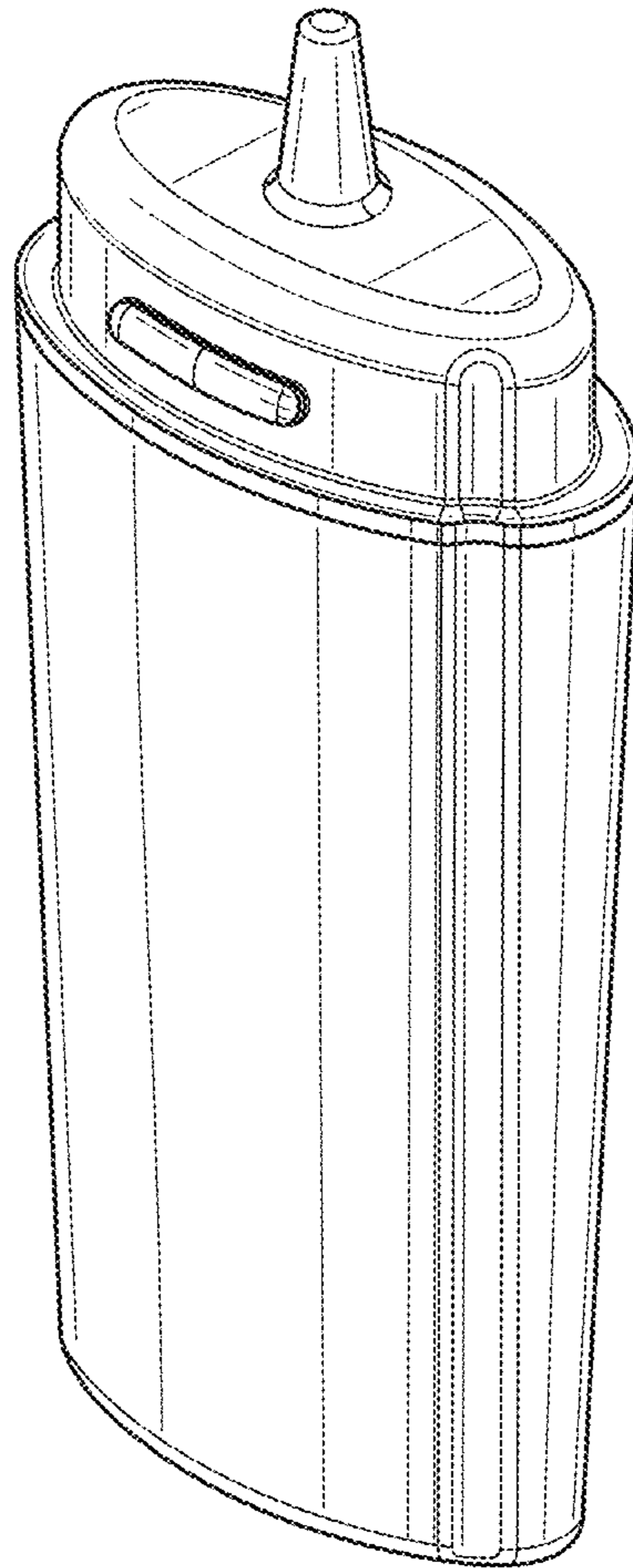


FIG. 1

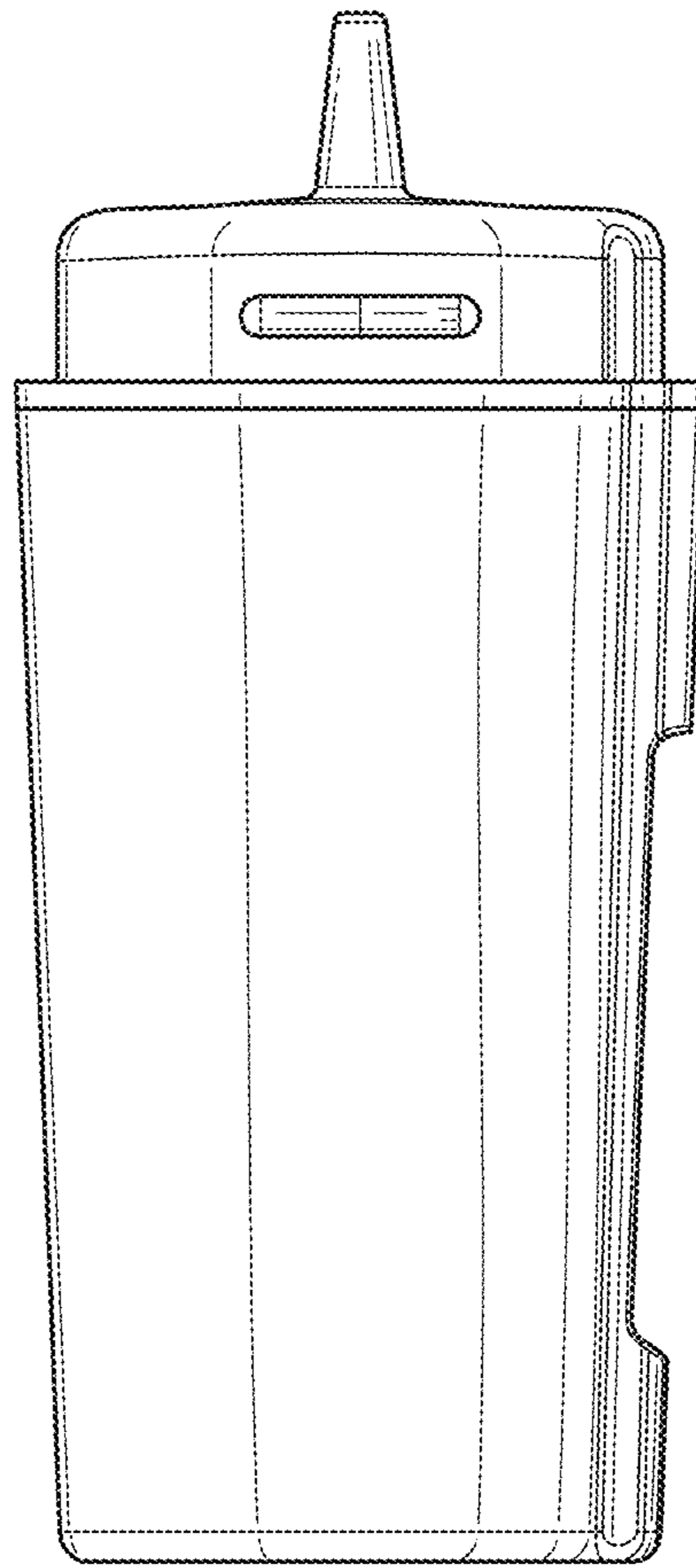


FIG. 2

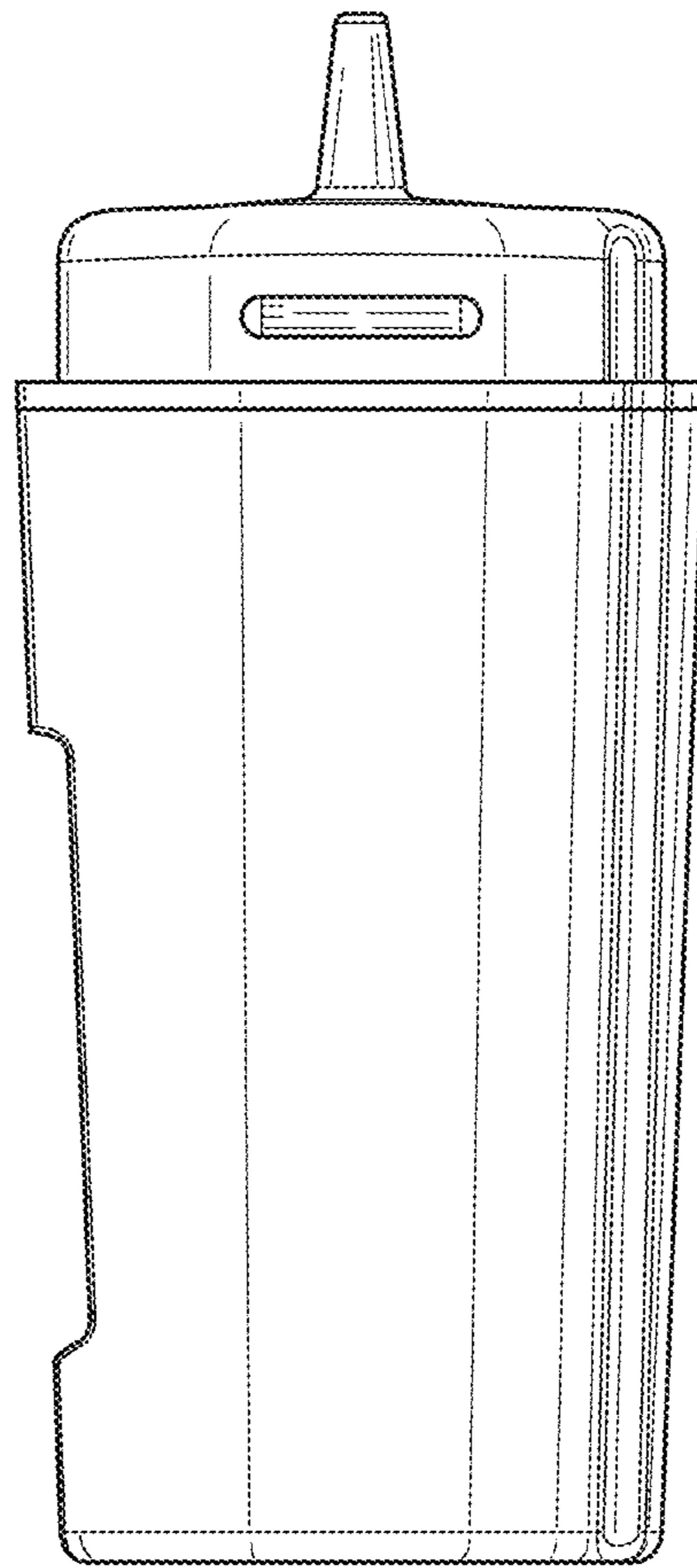


FIG. 3

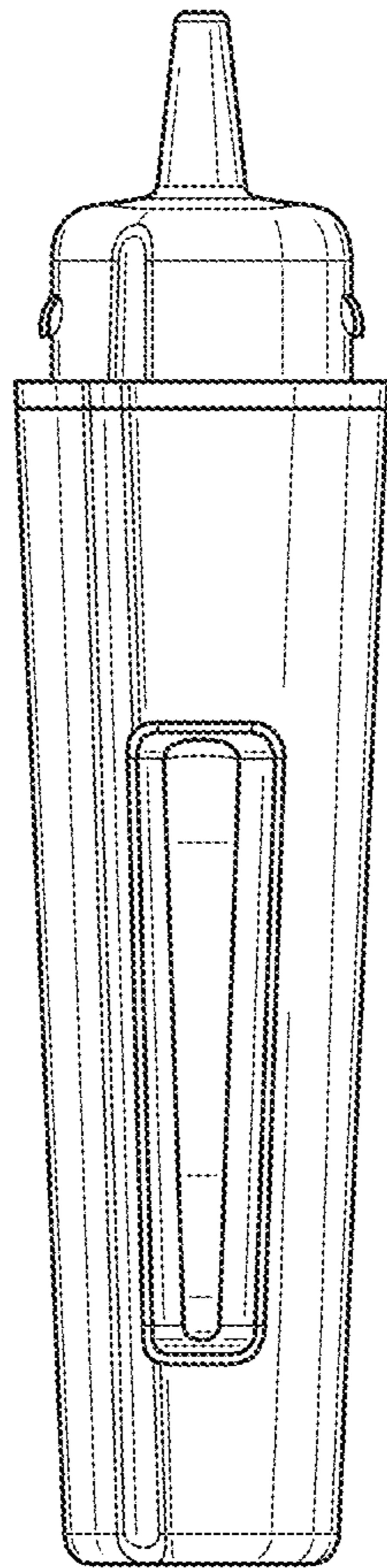


FIG. 4

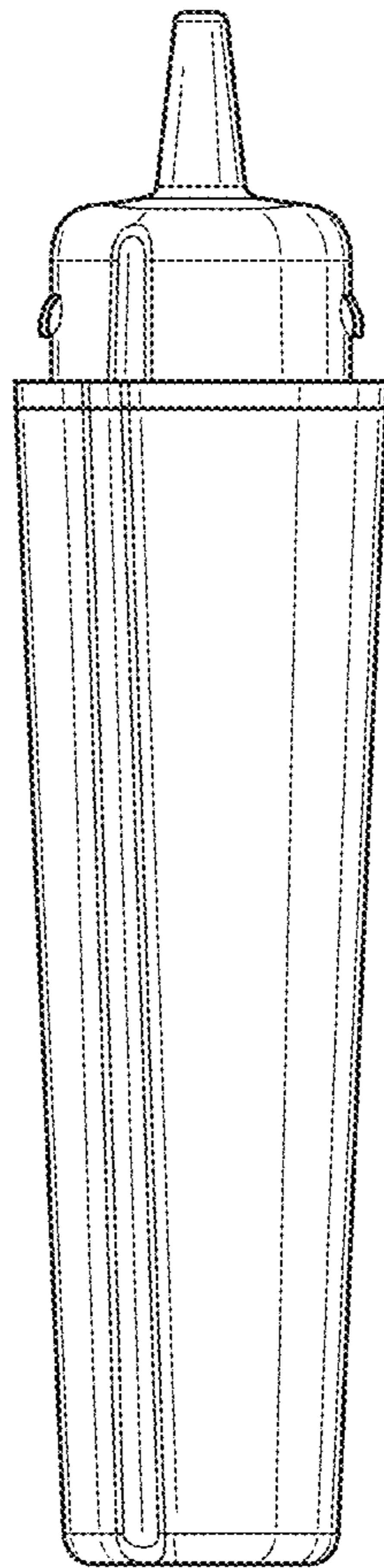


FIG. 5

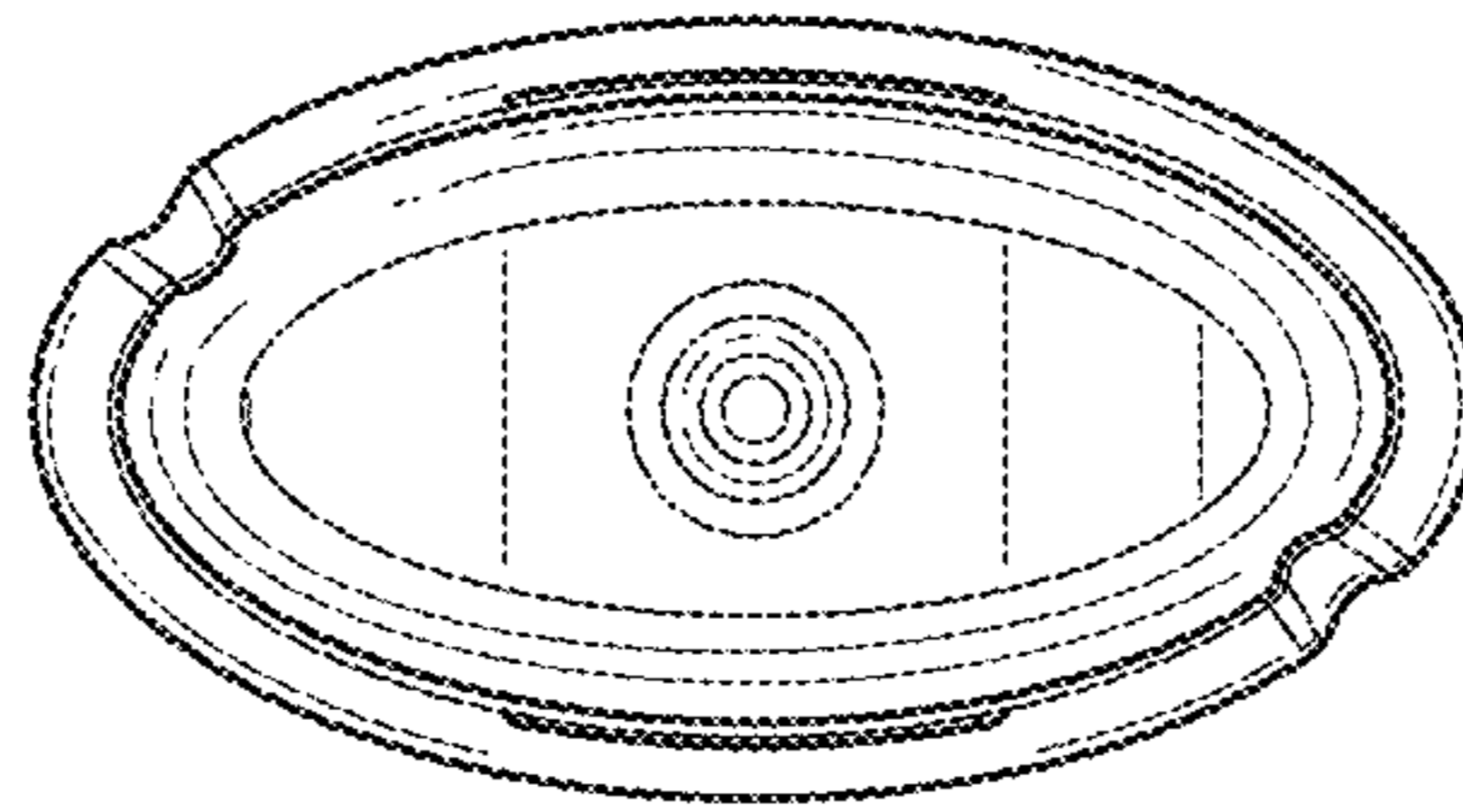


FIG. 6

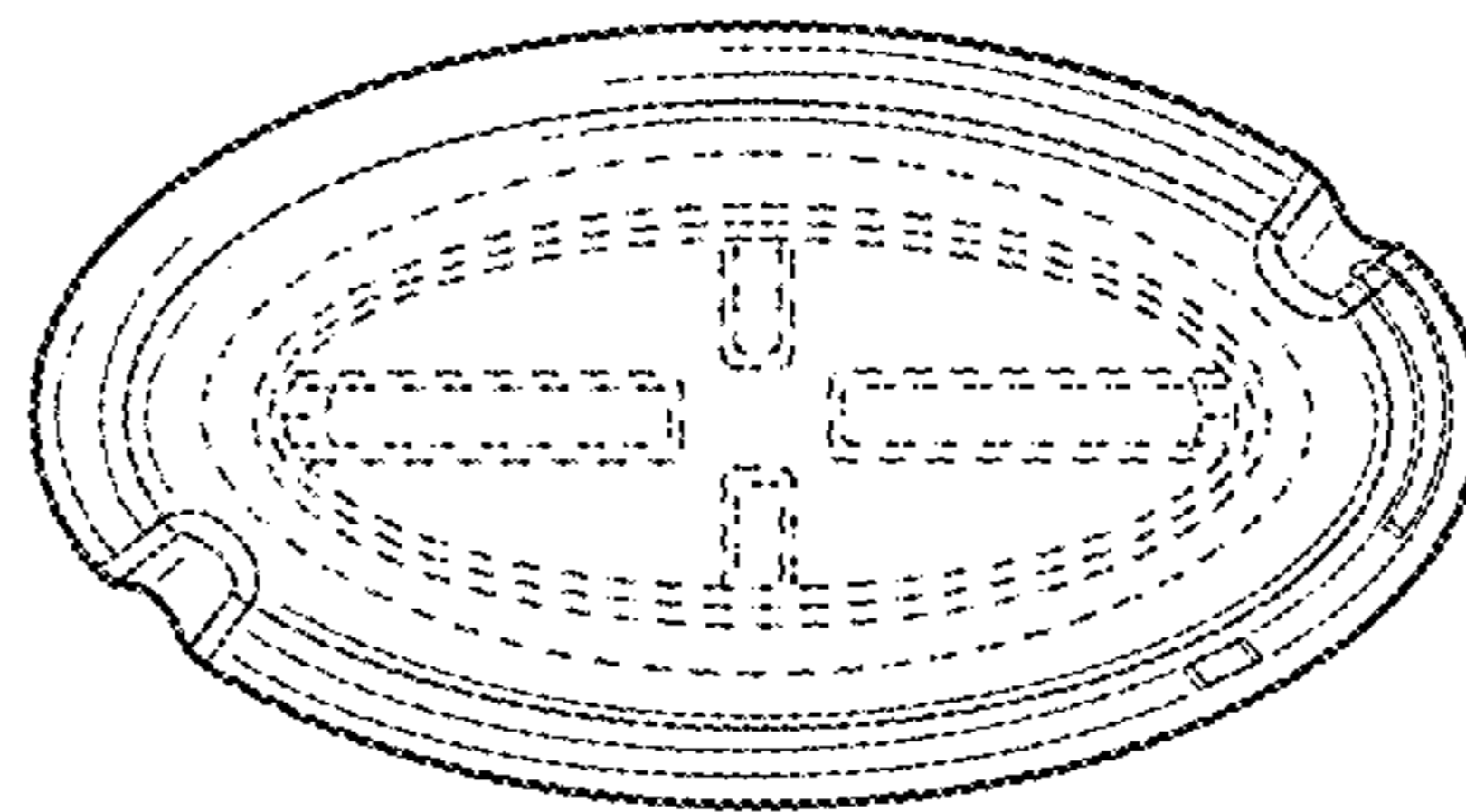


FIG. 7

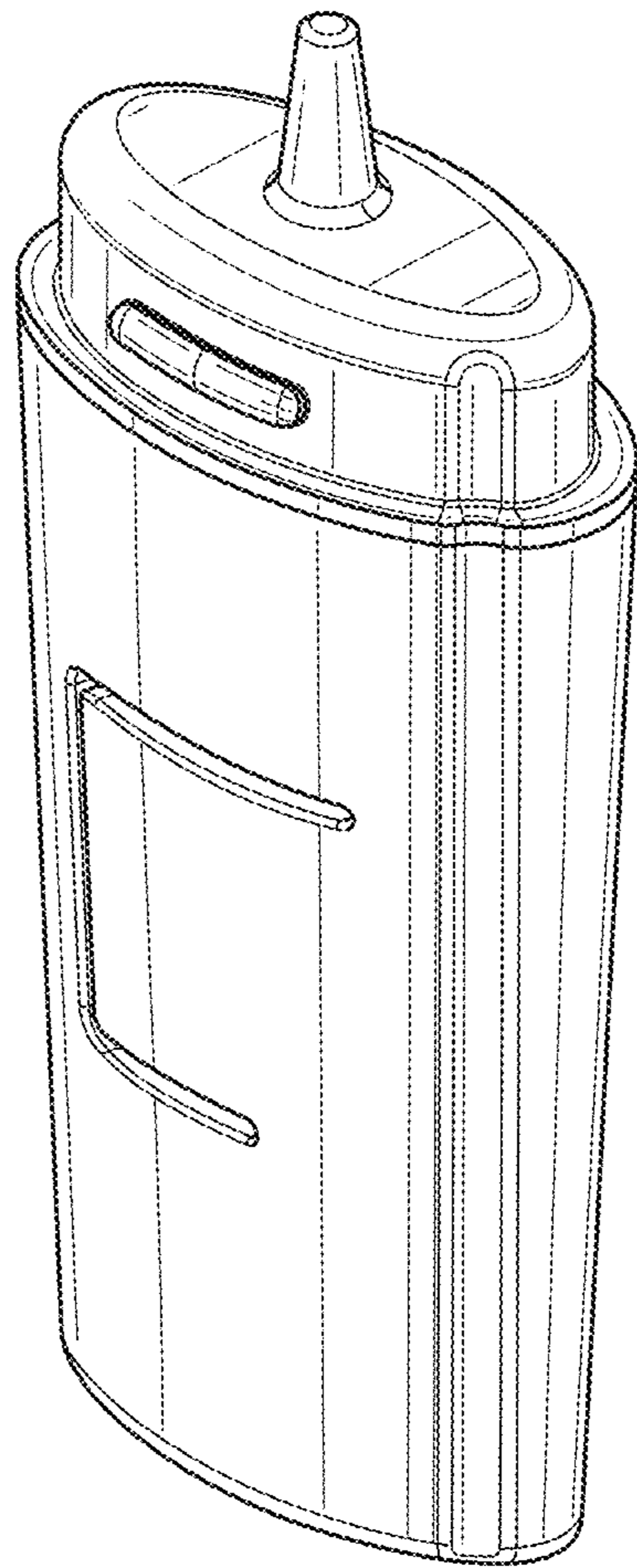


FIG. 8

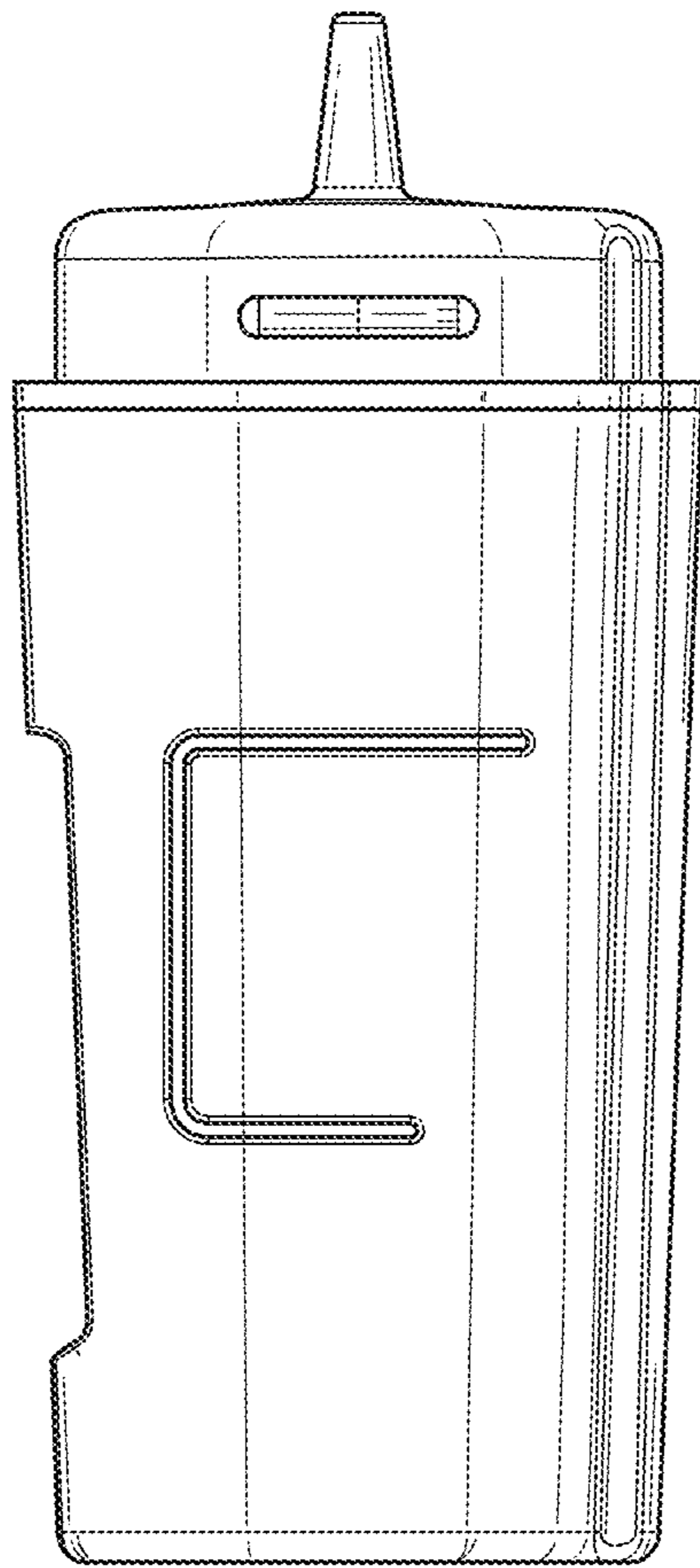


FIG. 9

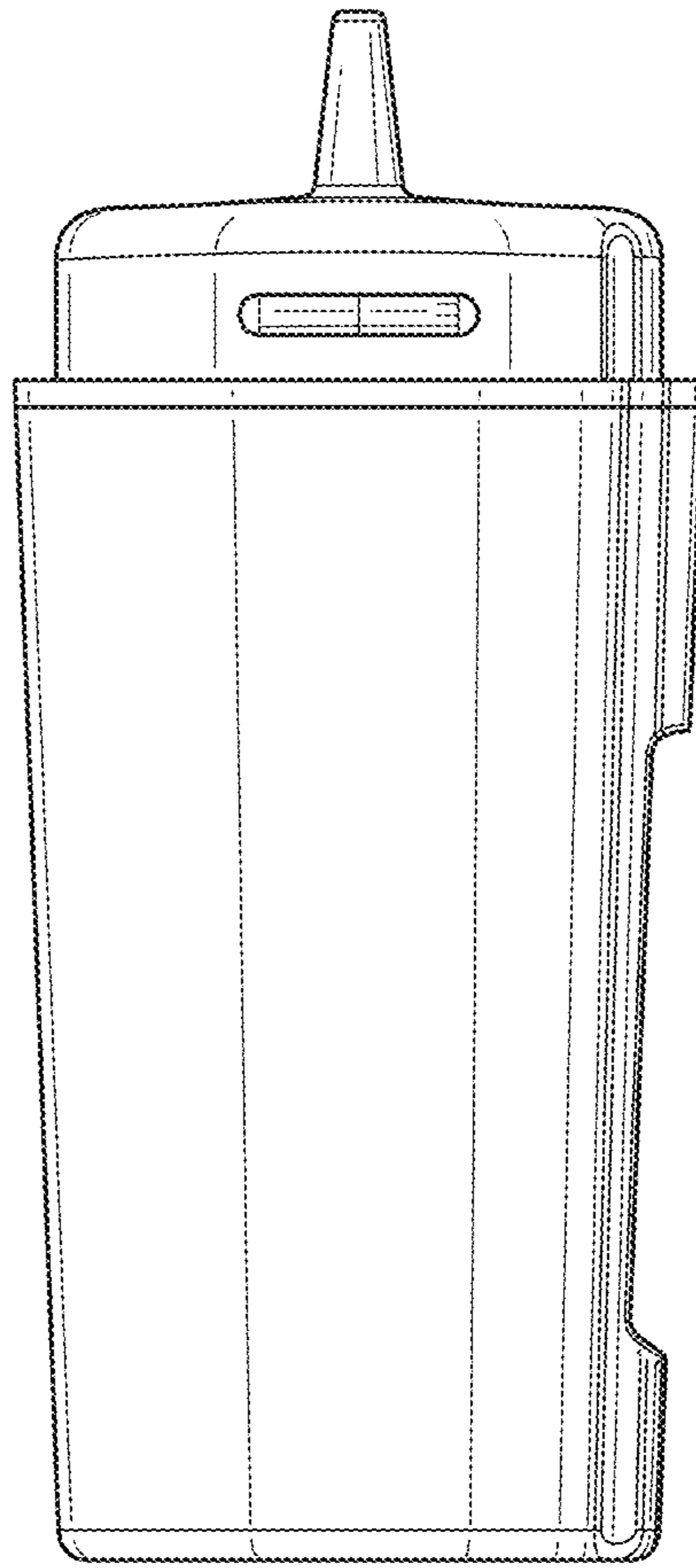


FIG. 10

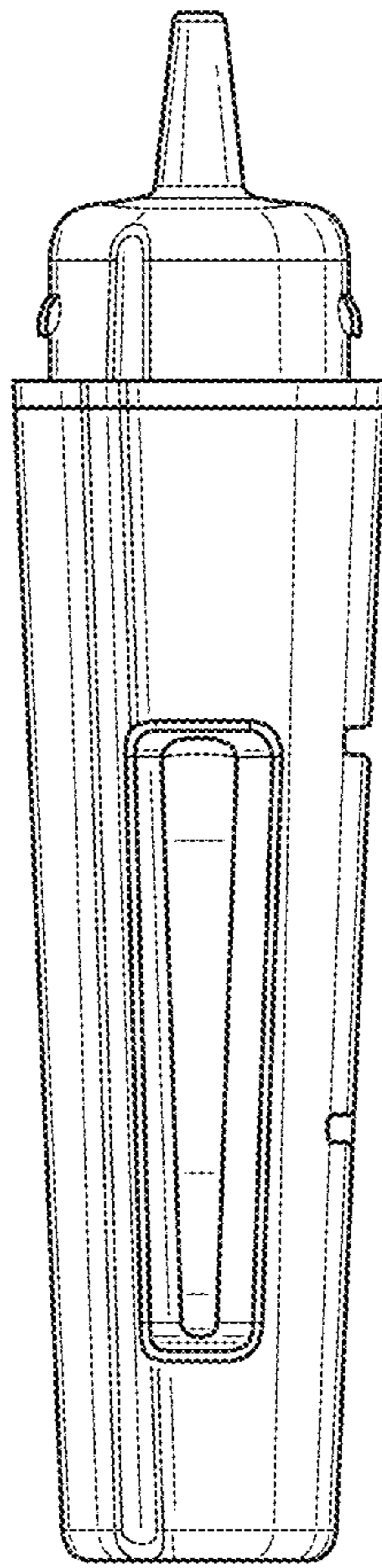


FIG. 11

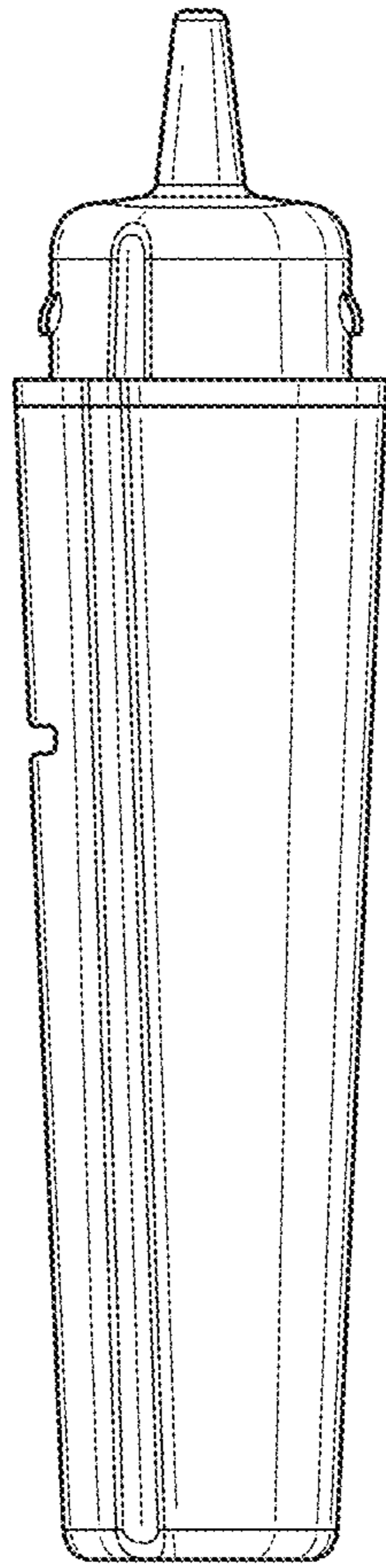


FIG. 12

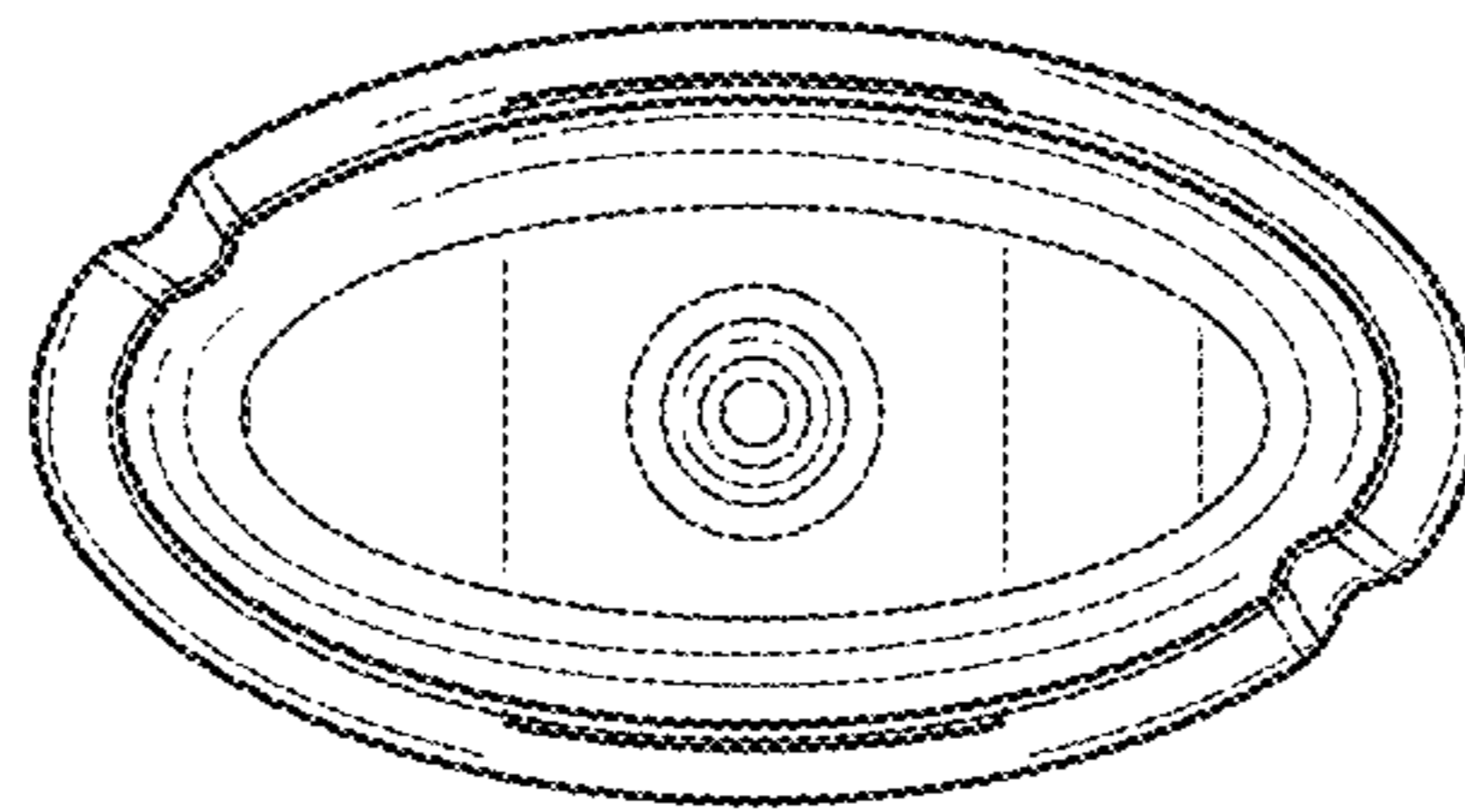


FIG. 13

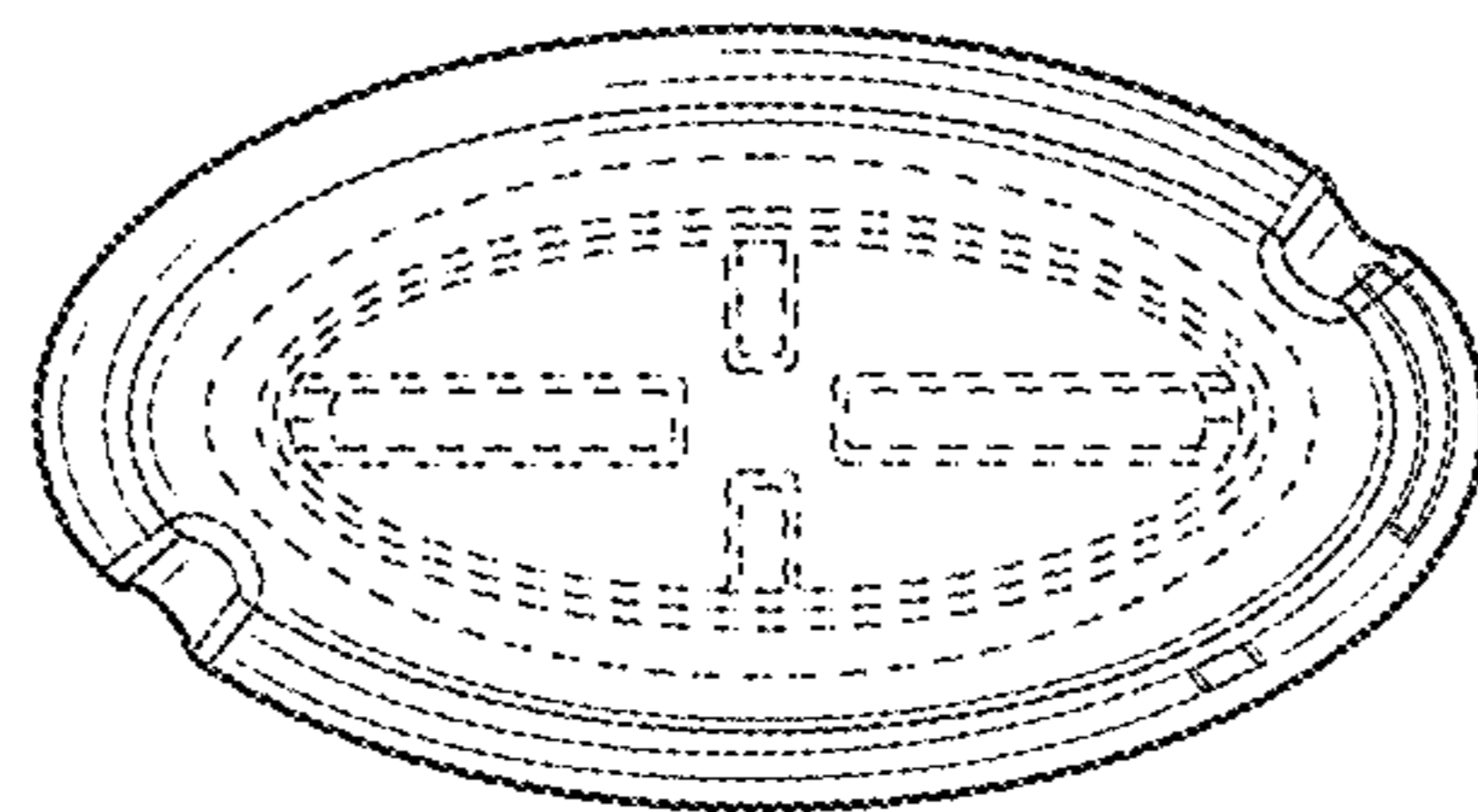


FIG. 14