



US00D793004S

(12) **United States Design Patent** (10) **Patent No.:** **US D793,004 S**
Liu (45) **Date of Patent:** **** Jul. 25, 2017**

(54) **CASE FOR ELECTRONIC CIGARETTE**

(71) Applicant: **HUIZHOU KIMREE TECHNOLOGY CO., LTD**, Huizhou, Guangdong (CN)

(72) Inventor: **Qiuming Liu**, Guangdong (CN)

(73) Assignee: **HUIZHOU KIMREE TECHNOLOGY CO., LTD**, Huizhou, Guangdong (CN)

(*) Notice: This patent is subject to a terminal disclaimer.

(**) Term: **15 Years**

(21) Appl. No.: **29/528,065**

(22) Filed: **May 26, 2015**

(30) **Foreign Application Priority Data**

Dec. 5, 2014 (CN) 2014 3 0501990

(51) **LOC (10) Cl.** **27-06**

(52) **U.S. Cl.**
USPC **D27/189**

(58) **Field of Classification Search**
USPC D3/203.1, 203.6; D9/432; D13/118, D13/119; D27/100, 139, 141, 142, 143, D27/144, 162, 163, 164, 167, 172-193, D27/194

CPC A24F 47/00; A24F 47/008; H05B 3/03; A61M 16/108; A61M 16/10

See application file for complete search history.

(56) **References Cited**

U.S. PATENT DOCUMENTS

D355,275 S * 2/1995 Focke D27/186
D449,782 S * 10/2001 Diaz D7/629
D613,903 S * 4/2010 Wu D27/189
D613,904 S * 4/2010 Wu D27/189

D616,146 S * 5/2010 Holford D27/189
D636,931 S * 4/2011 de The D27/189
D656,094 S * 3/2012 Wu D13/108
D671,677 S * 11/2012 Wu D27/189
D671,678 S * 11/2012 Wu D27/189
D677,000 S * 2/2013 Liu D27/189
D677,001 S * 2/2013 Liu D27/189
D681,268 S * 4/2013 Wu D27/189
D681,269 S * 4/2013 Wu D27/189
D683,898 S * 6/2013 Liu D13/108

(Continued)

Primary Examiner — Robert M Spear

Assistant Examiner — Marissa J Cash

(74) *Attorney, Agent, or Firm* — Yue Xu; U.S. Fairsky LLP

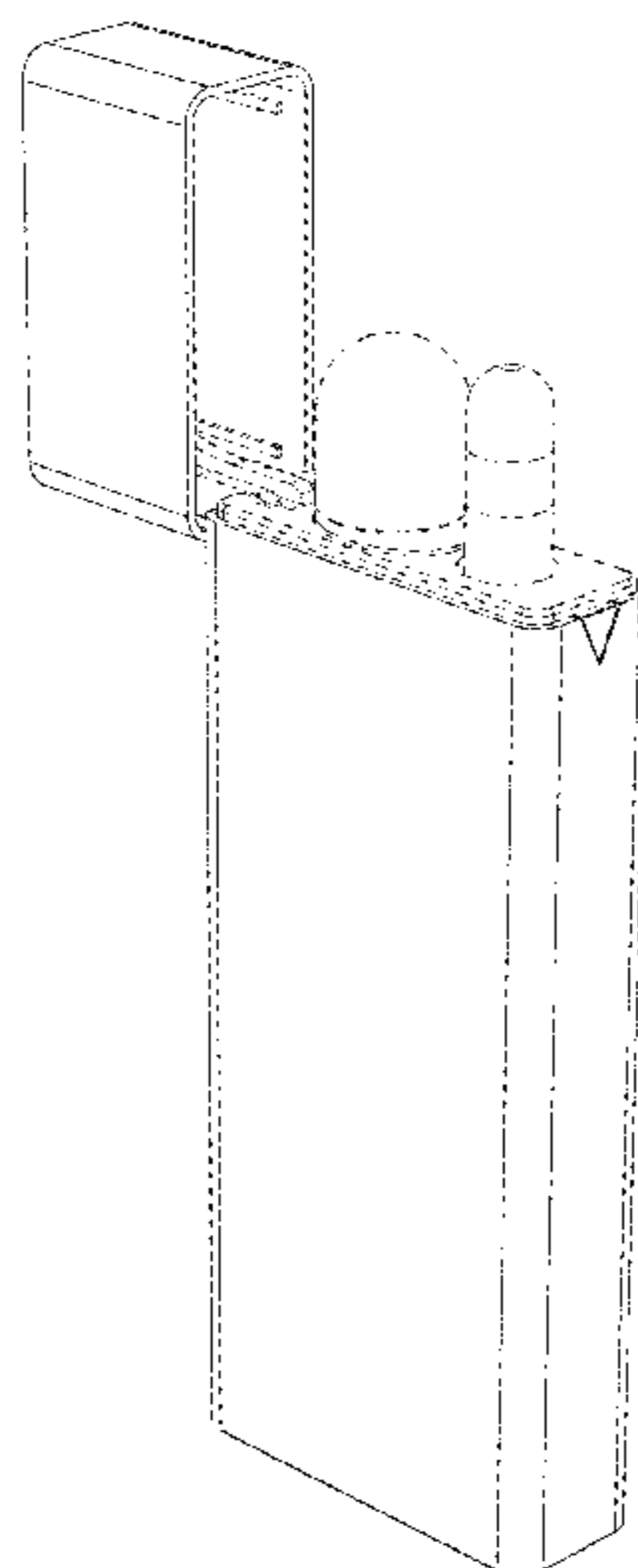
(57) **CLAIM**

The ornamental design for a case for electronic cigarette, as shown and described.

DESCRIPTION

FIG. 1 is a front view of a case for electronic cigarette according to the present application;
FIG. 2 is a rear view of the case for electronic cigarette according to the present application;
FIG. 3 is a left view of the case for electronic cigarette according to the present application;
FIG. 4 is a right view of the case for electronic cigarette according to the present application;
FIG. 5 is a top view of the case for electronic cigarette according to the present application;
FIG. 6 is a bottom view of the case for electronic cigarette according to the present application;
FIG. 7 is a perspective view of the case for electronic cigarette according to the present application; and,
FIG. 8 is a reference view of the case for electronic cigarette in using state according to the present application.
The broken lines in the drawings depict portions of the case for electronic cigarette that form no part of the claimed design.

1 Claim, 8 Drawing Sheets



(56)

References Cited

U.S. PATENT DOCUMENTS

D683,899	S *	6/2013	Liu	D13/108
D688,418	S *	8/2013	Liu	D13/108
D700,994	S *	3/2014	Alarcon	D27/189
D706,976	S *	6/2014	Wu	D27/189
D723,733	S *	3/2015	Liu	D27/189
D723,734	S *	3/2015	Liu	D27/189
D723,735	S *	3/2015	Liu	D27/189
D723,736	S *	3/2015	Liu	D27/189
D723,737	S *	3/2015	Liu	D27/189
D725,823	S *	3/2015	Scatterday	D27/189
D736,455	S *	8/2015	Liu	D27/189
D736,456	S *	8/2015	Liu	D27/189
D736,457	S *	8/2015	Liu	D27/189
D736,458	S *	8/2015	Liu	D27/189
D736,459	S *	8/2015	Liu	D27/189
D736,460	S *	8/2015	McKeon	D27/189
D736,996	S *	8/2015	Liu	D27/189
D736,997	S *	8/2015	Liu	D27/189
D737,505	S *	8/2015	Liu	D27/189
D737,506	S *	8/2015	Liu	D27/189
D737,507	S *	8/2015	Liu	D27/189
D737,508	S *	8/2015	Liu	D27/189
D741,002	S *	10/2015	Liu	D27/189
2013/0336358	A1 *	12/2013	Liu	G01K 13/002 374/152
2014/0053858	A1 *	2/2014	Liu	A24F 15/18 131/329

* cited by examiner

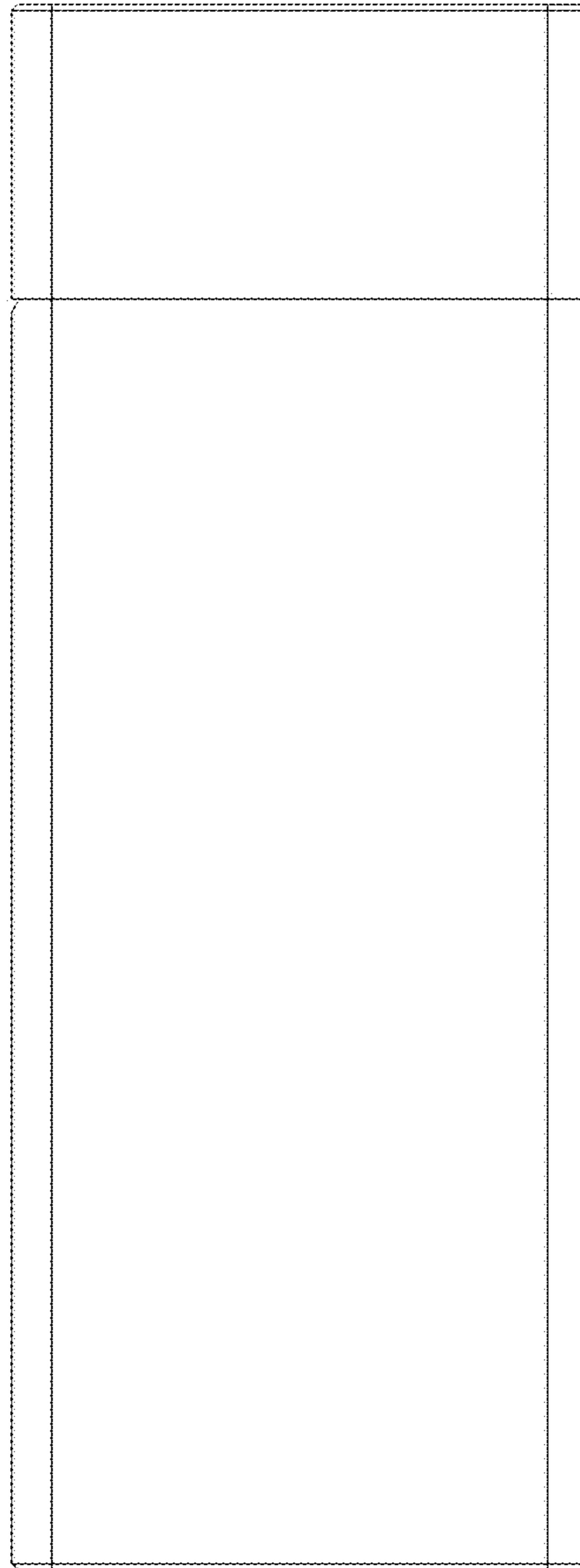


FIG. 1

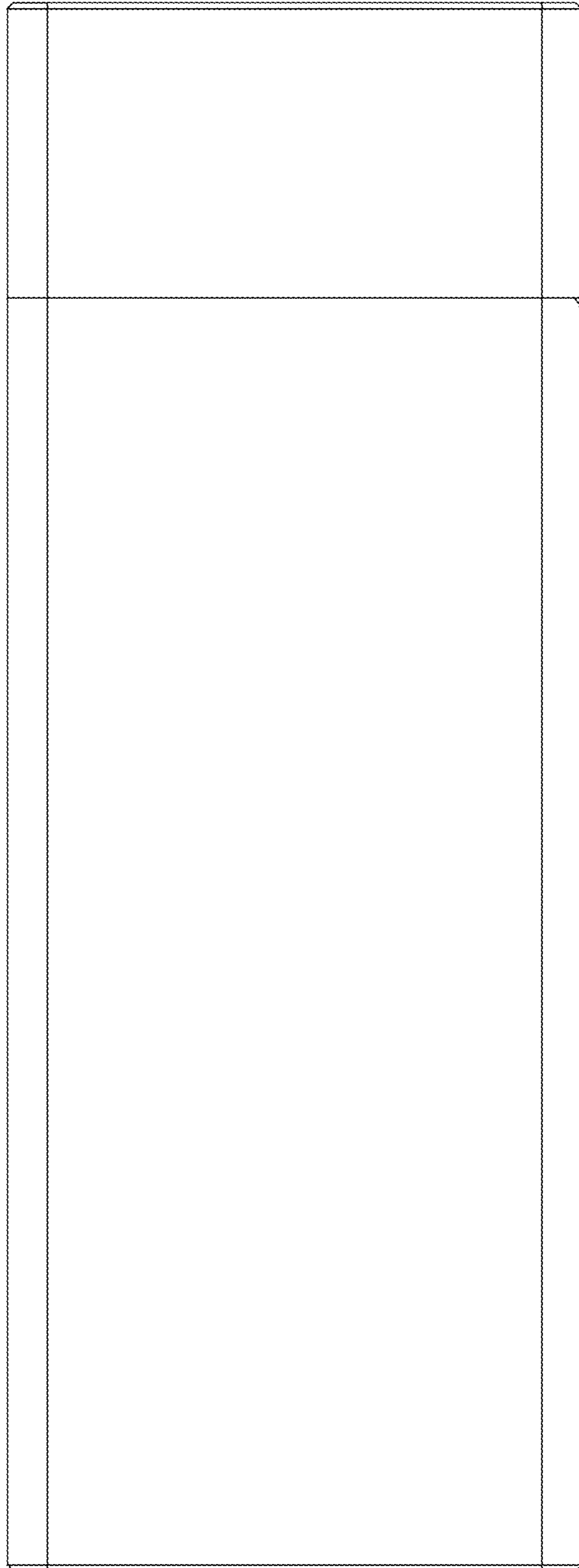


FIG. 2

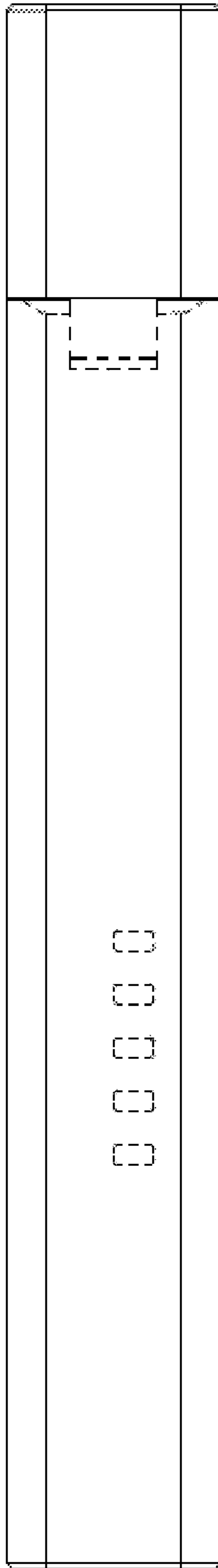


Figure 3

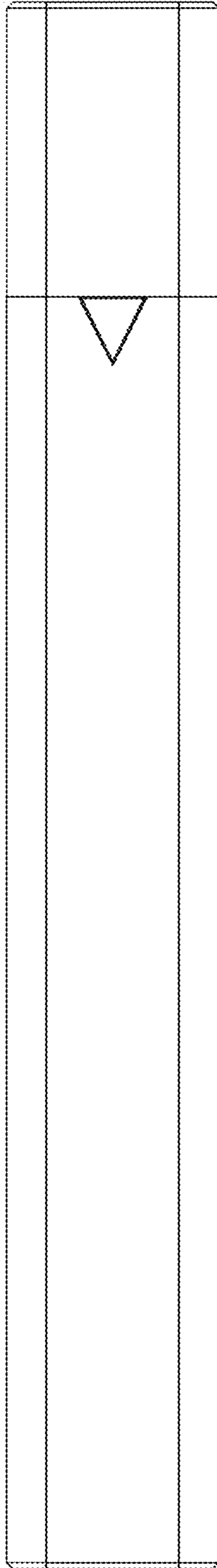


FIG. 4

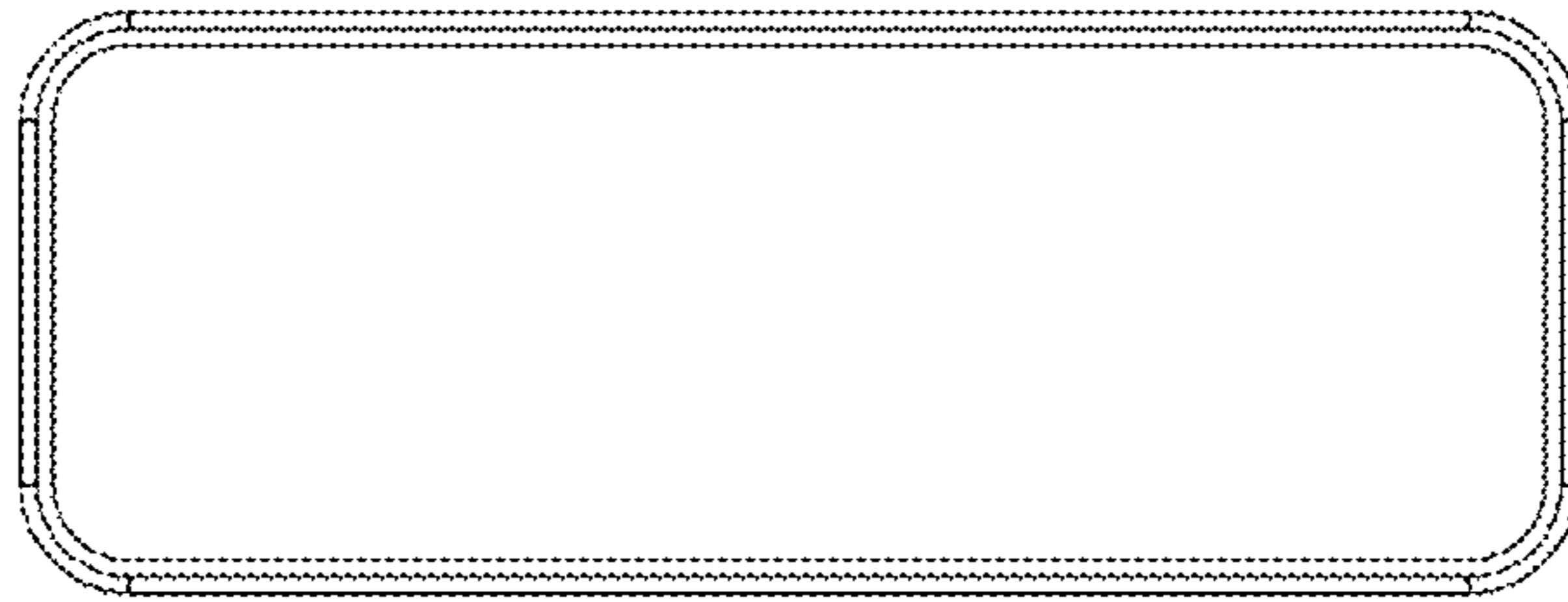


FIG. 5

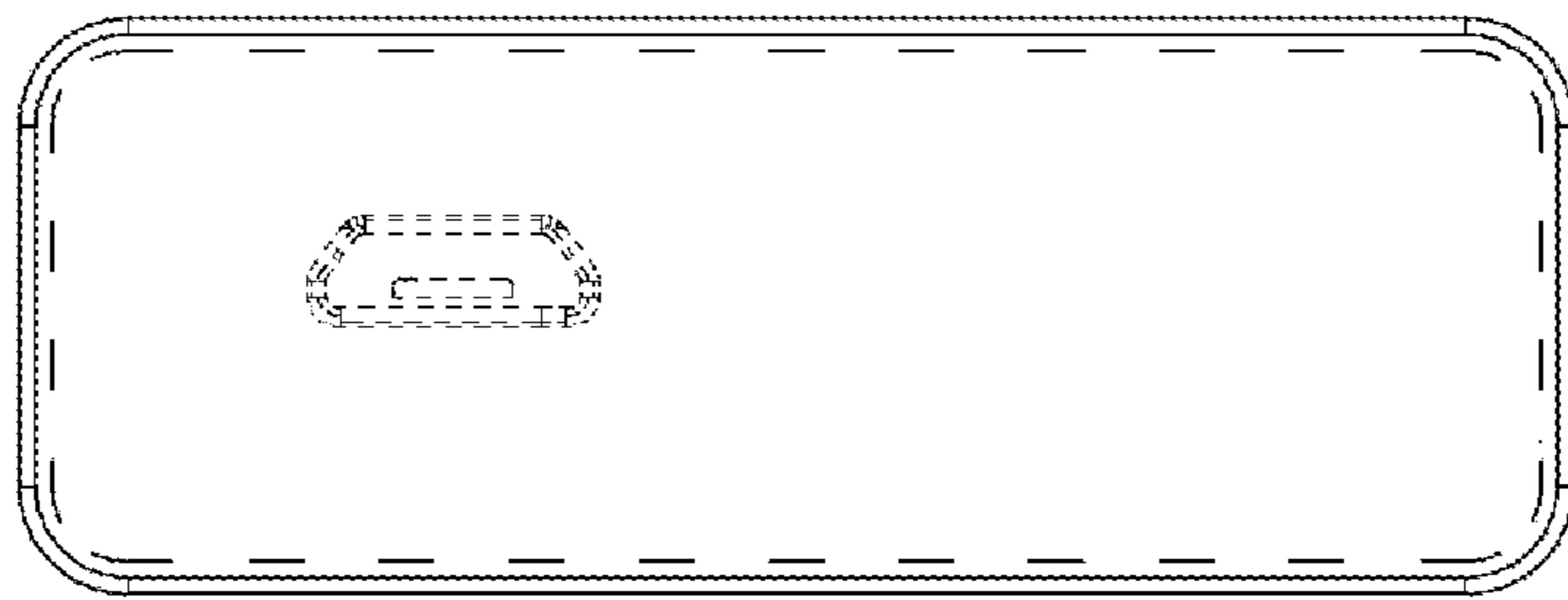


Figure 6

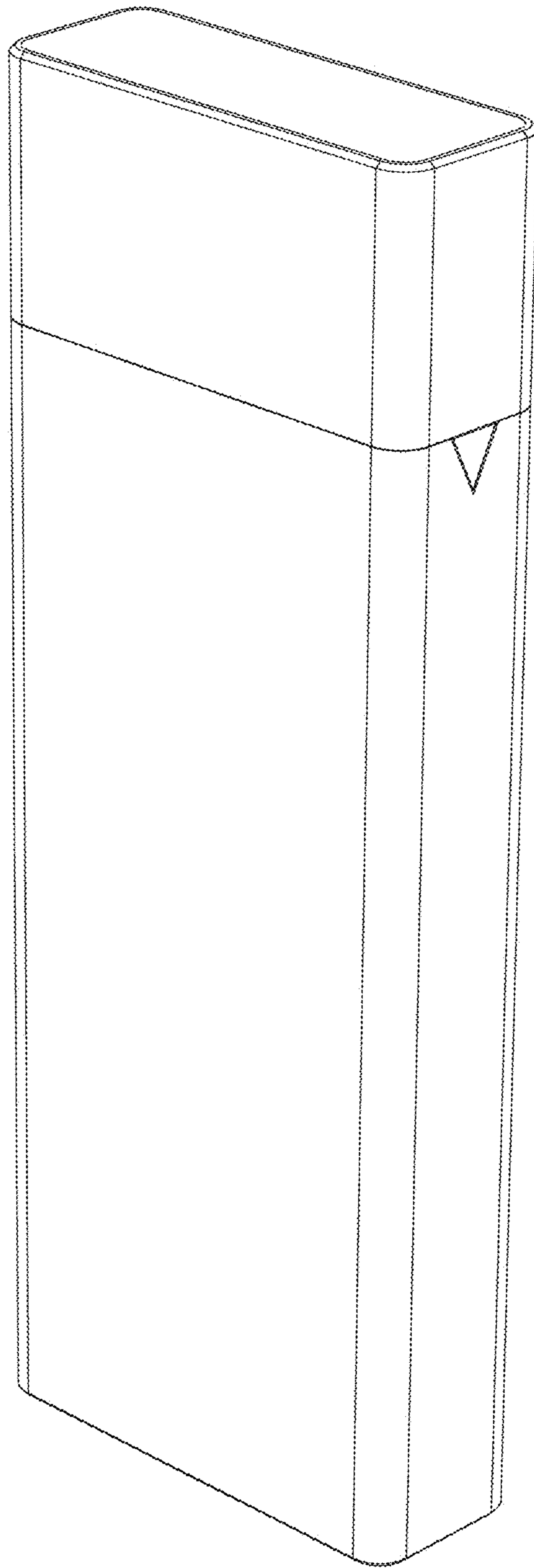


FIG. 7

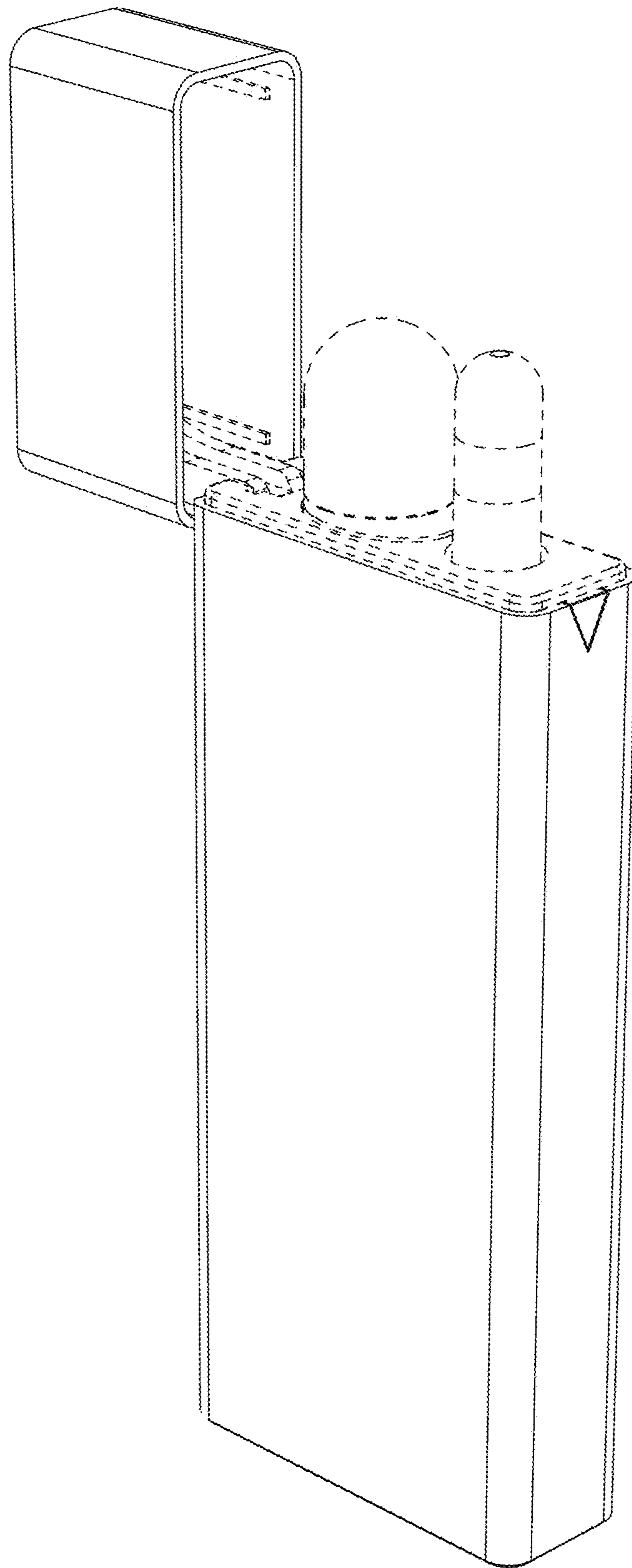


Figure 8