



US00D793003S

(12) **United States Design Patent**  
**Clynn et al.**

(10) **Patent No.:** **US D793,003 S**

(45) **Date of Patent:** **\*\* Jul. 25, 2017**

(54) **MOUNTING ARM**

(71) Applicant: **GE LIGHTING SOLUTIONS, LLC**,  
East Cleveland, OH (US)

(72) Inventors: **Thomas Clynn**, East Cleveland, OH  
(US); **Douglas R. Halley**, Westlake, OH  
(US); **Jonathan Robert Meyer**, Shaker  
Heights, OH (US); **Koushik Babi Saha**,  
Strongsville, OH (US); **Adrian  
Slattery**, Westlake, OH (US)

(73) Assignee: **GE LIGHTING SOLUTIONS, LLC**,  
East Cleveland, OH (US)

(\*\*) Term: **15 Years**

(21) Appl. No.: **29/548,356**

(22) Filed: **Dec. 12, 2015**

(51) **LOC (10) Cl.** ..... **26-99**

(52) **U.S. Cl.**  
USPC ..... **D26/138**

(58) **Field of Classification Search**  
USPC ..... D26/76, 78, 79, 80, 81, 82, 83, 85, 86,  
D26/88, 90, 113, 118, 119, 120, 121, 122,  
D26/138, 139, 140, 141, 142  
CPC ..... F21S 2/00; F21S 4/00; F21S 4/003; F21S  
4/005; F21S 4/006; F21S 4/007; F21S  
4/008; F21S 6/00; F21S 8/00; F21S  
8/024; F21S 8/026; F21S 8/031; F21S  
8/033; F21S 8/035-8/037; F21S 8/04;  
F21S 8/043; F21S 8/063  
See application file for complete search history.

(56) **References Cited**

**U.S. PATENT DOCUMENTS**

D666,759 S \* 9/2012 Lane ..... D26/71  
D670,856 S \* 11/2012 Butler ..... D26/138

D670,857 S \* 11/2012 Butler ..... D26/138  
D672,492 S \* 12/2012 Butler ..... D26/71  
D673,720 S \* 1/2013 Bailey ..... D26/138  
D760,415 S \* 6/2016 Chen ..... D26/71  
D771,856 S \* 11/2016 Novak ..... D26/71  
D771,857 S \* 11/2016 Novak ..... D26/71  
2015/0267908 A1\* 9/2015 Smith ..... F21V 29/505  
362/294  
2015/0296597 A1\* 10/2015 Mayer ..... H05B 37/0272  
315/294  
2016/0258596 A1\* 9/2016 Cai ..... F21V 7/22

\* cited by examiner

*Primary Examiner* — George D Kirschbaum

*Assistant Examiner* — Natasha Vujcic

(74) *Attorney, Agent, or Firm* — GE Global Patent  
Operation; Peter T. DiMauro

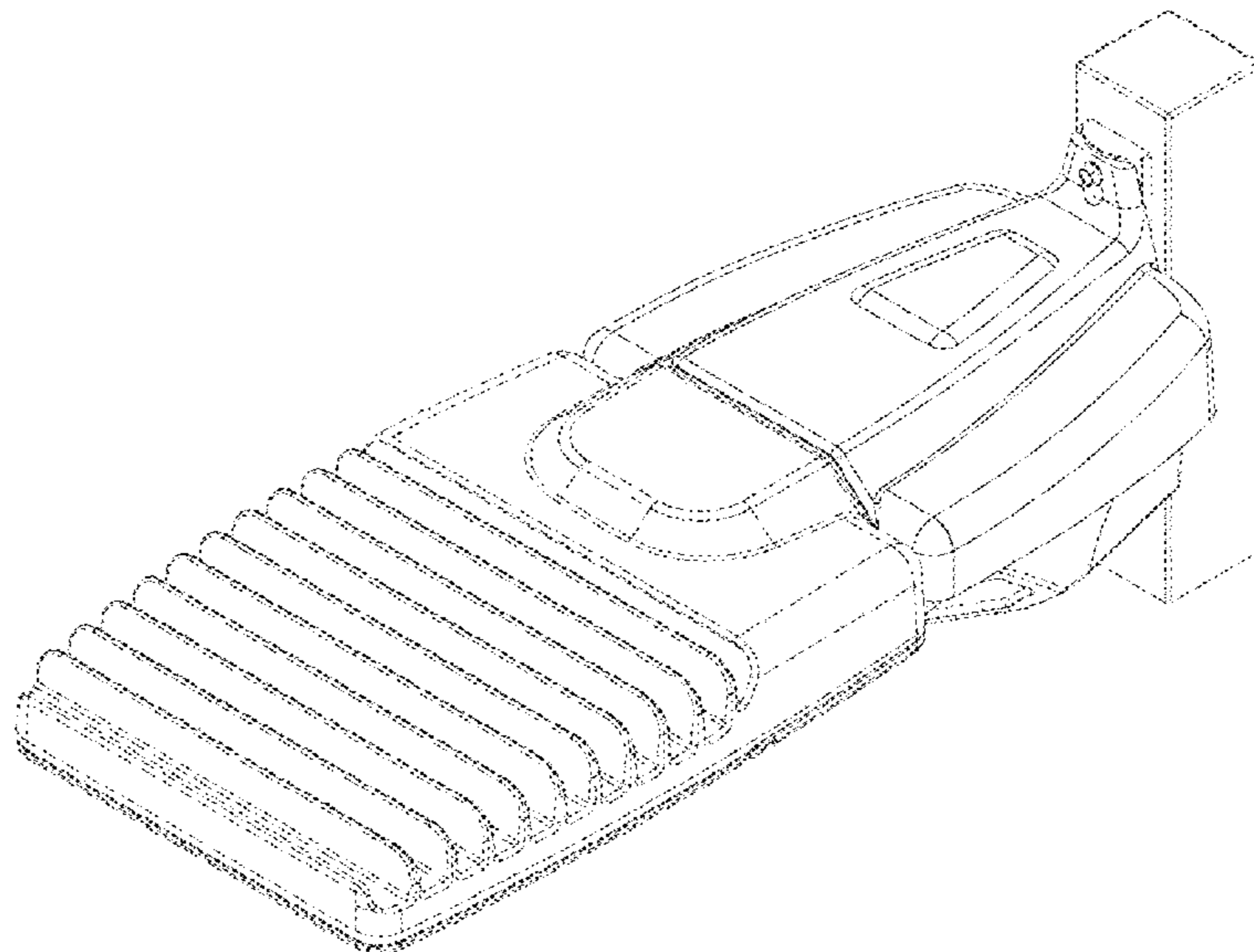
(57) **CLAIM**

We claim the ornamental design for a mounting arm, as  
shown and described.

**DESCRIPTION**

FIG. 1 is a top perspective view of a mounting arm in  
accordance with the present design;  
FIG. 2 is a bottom perspective view thereof;  
FIG. 3 is a side thereof, the opposite side view being the  
same;  
FIG. 4 is a top view thereof;  
FIG. 5 is a rear view thereof; and,  
FIG. 6 is a bottom view thereof.  
The broken lines in the drawings illustrate portions of the  
mounting arm which forms no part of the claimed design.  
Any shading forms no part of the claimed design and is  
provided to illustrate contour only and is not an indication of  
texture, gloss, and the like.

**1 Claim, 5 Drawing Sheets**



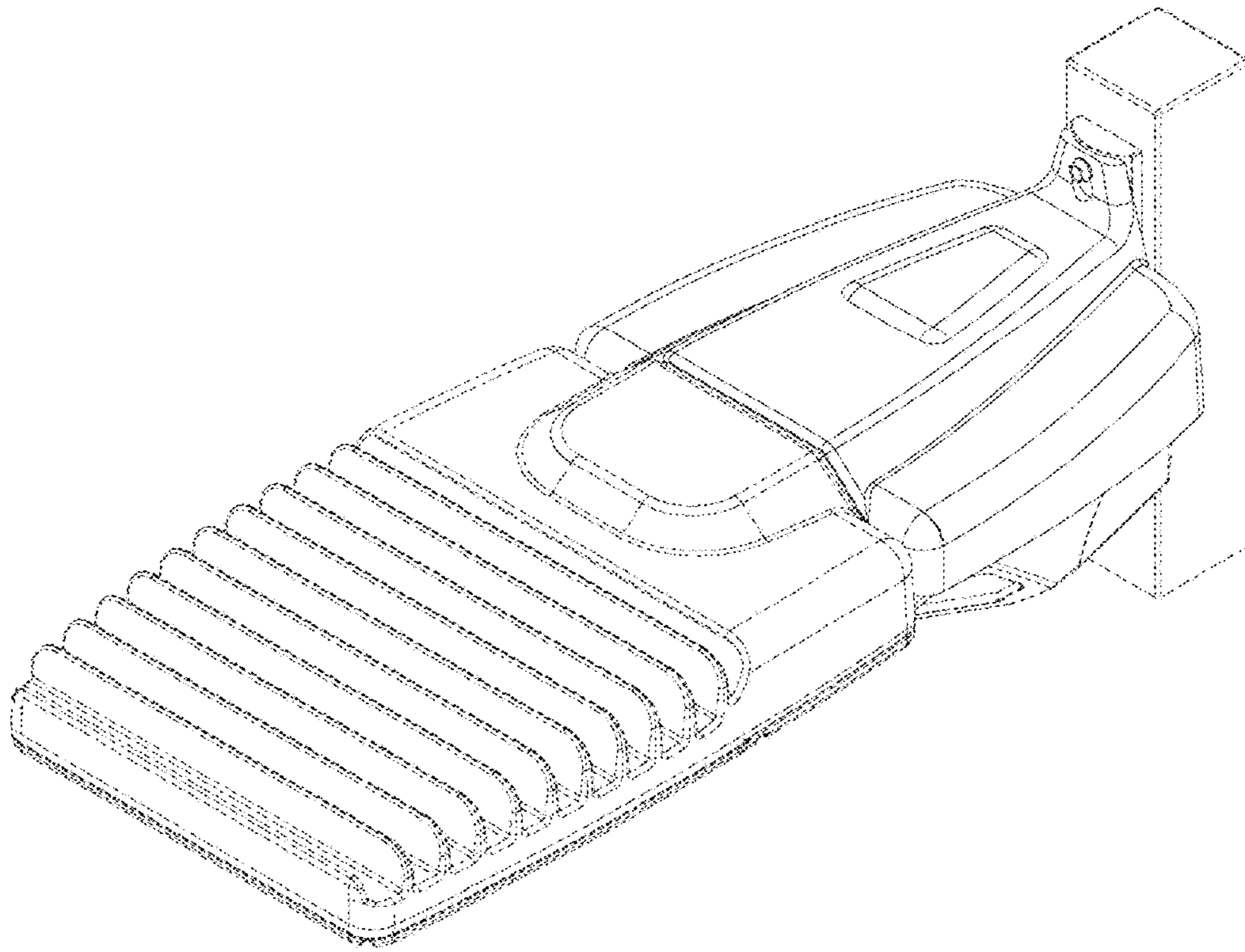


FIG. 1

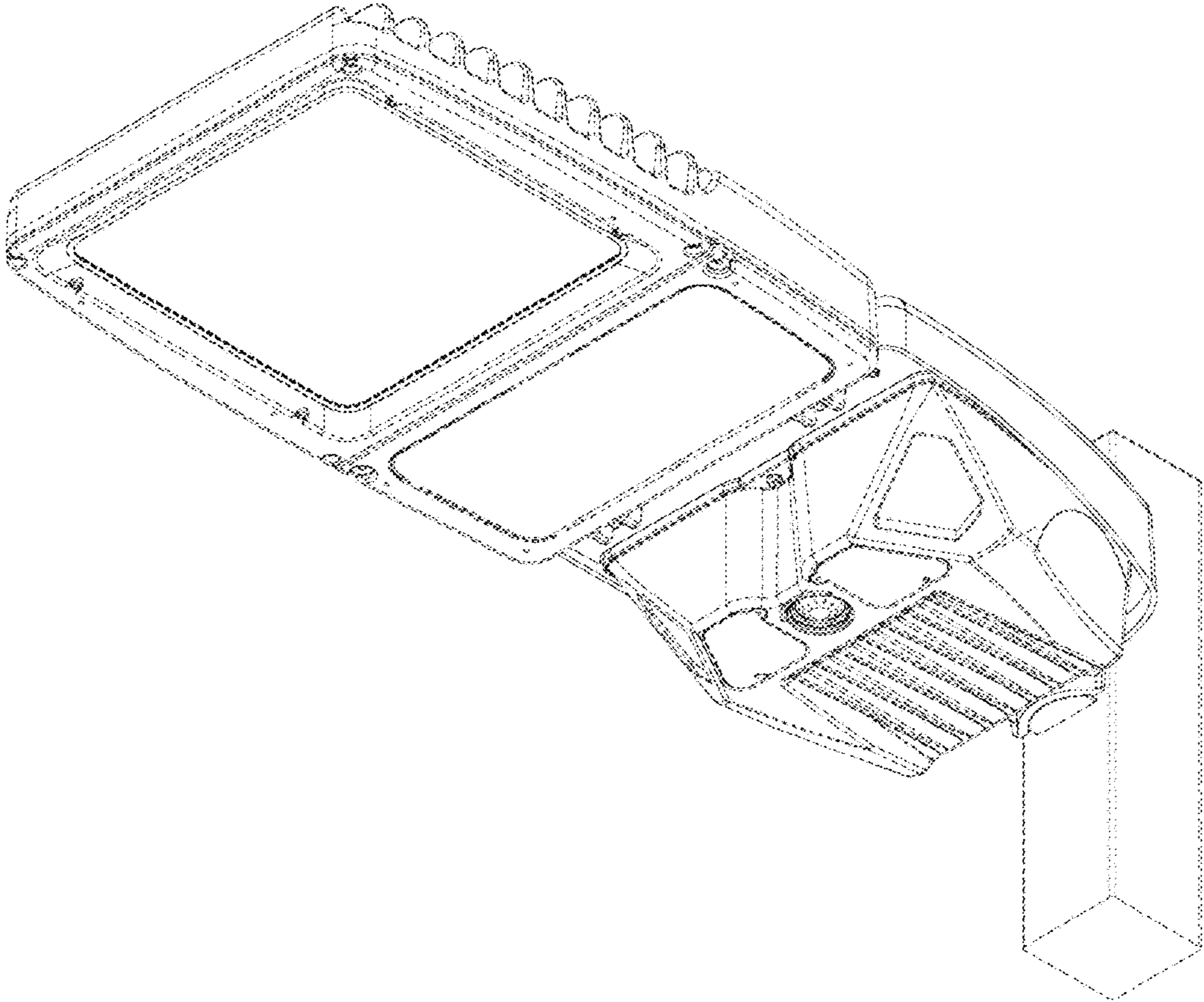


FIG. 2

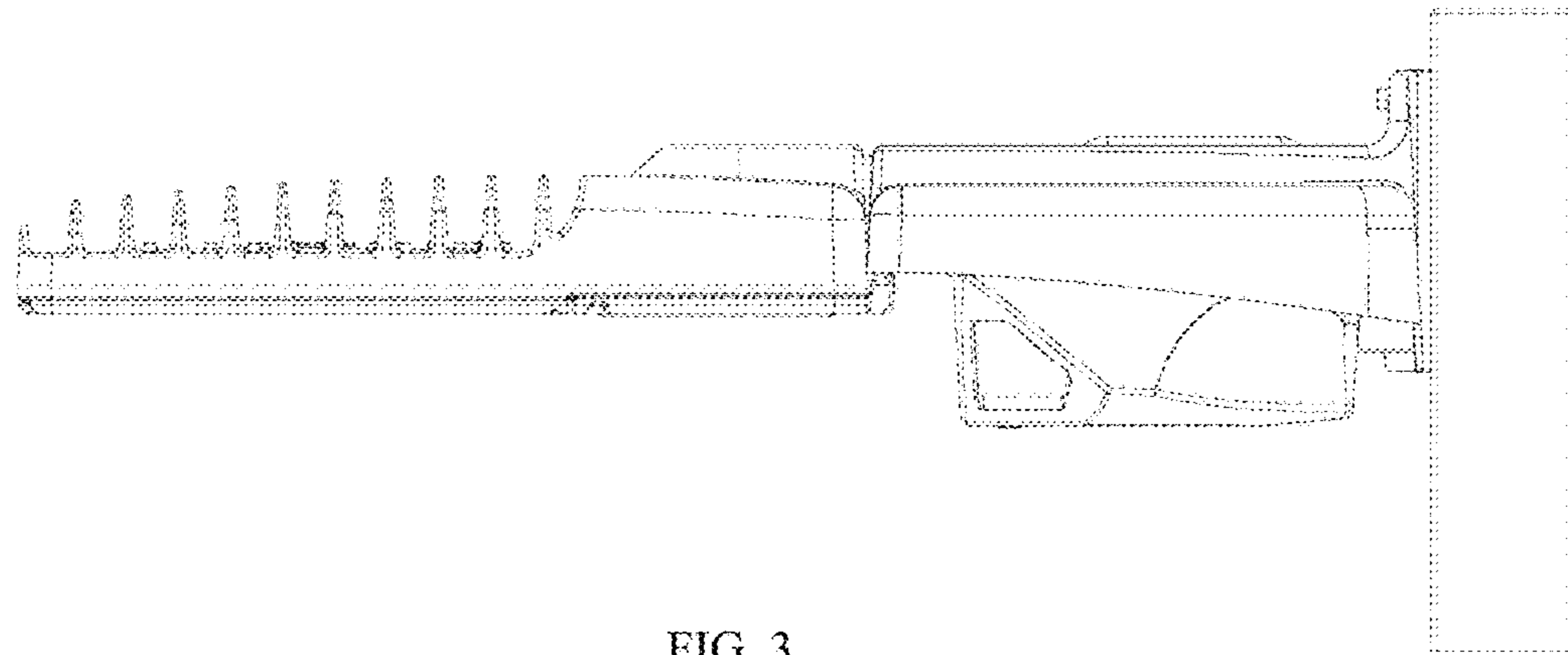


FIG. 3

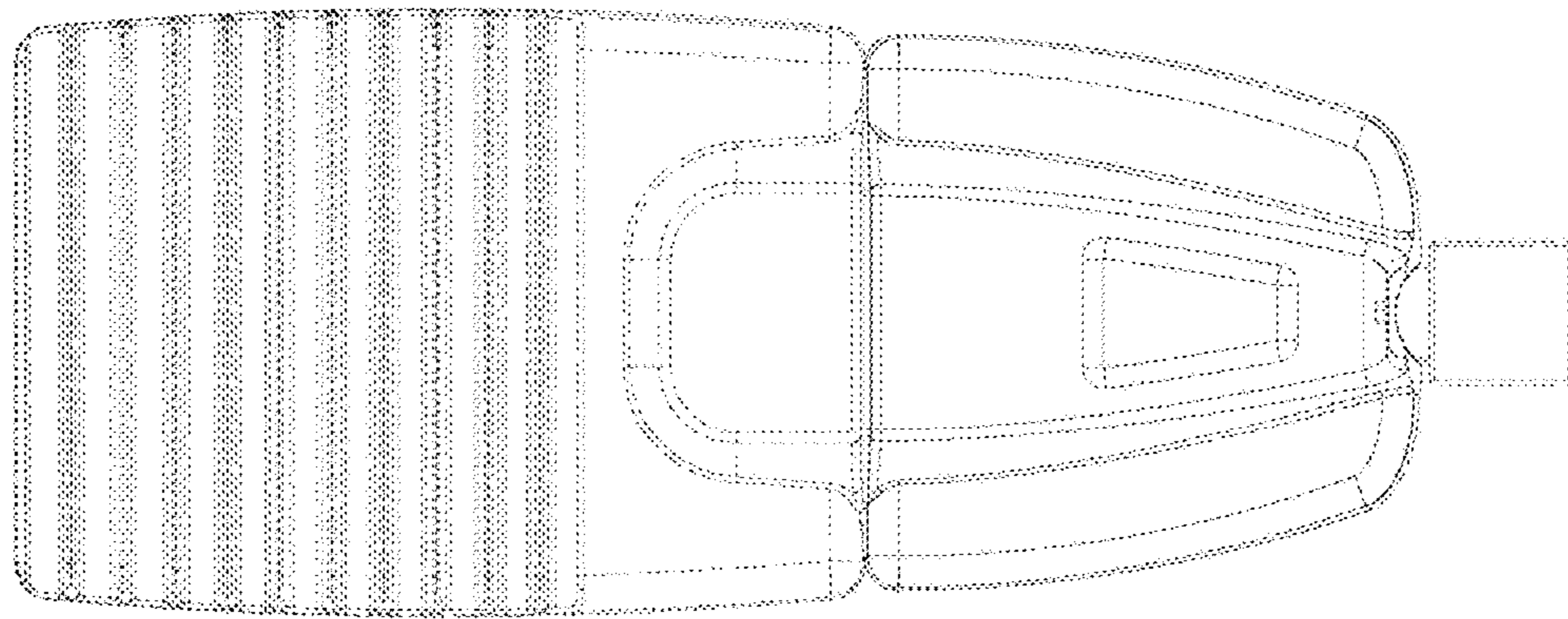


FIG. 4

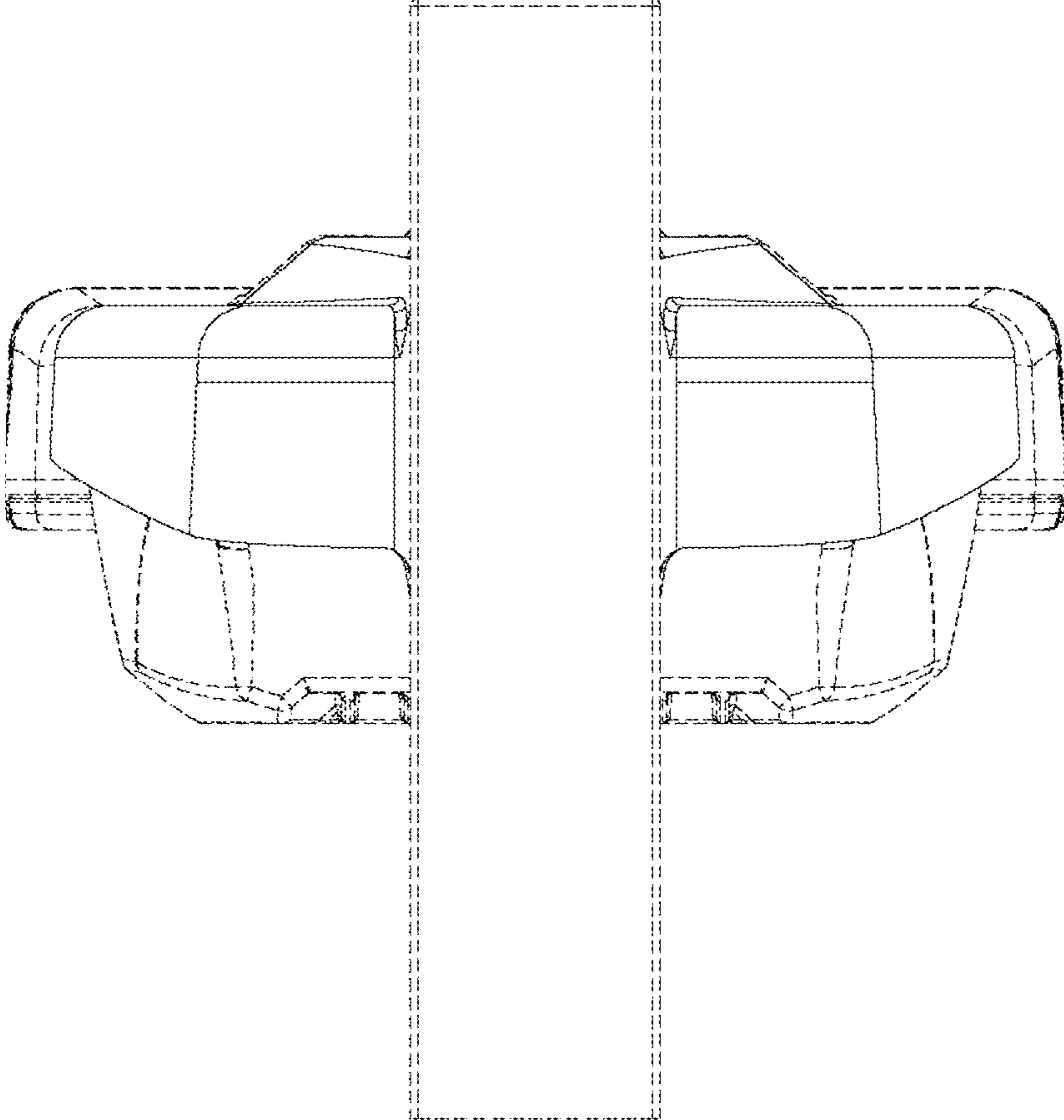


FIG. 5

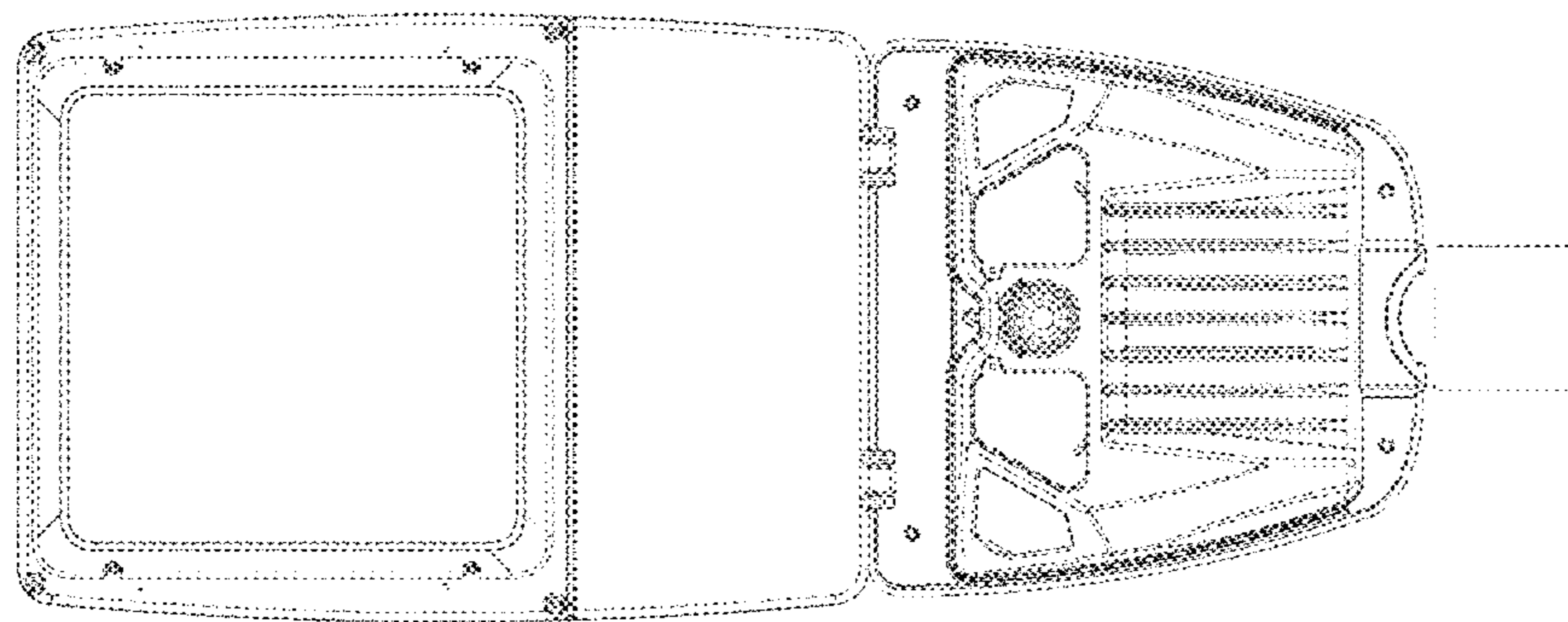


FIG. 6