



US00D793002S

(12) **United States Design Patent**
Kim et al.

(10) **Patent No.:** **US D793,002 S**
(45) **Date of Patent:** **** Jul. 25, 2017**

(54) **MOLD FOR PACKAGING SEMICONDUCTOR LIGHT EMITTING DEVICE**

(71) Applicant: **SEMICON LIGHT CO., LTD.**,
Gyeonggi-do (KR)

(72) Inventors: **Kyoung Min Kim**, Gyeonggi-do (KR);
Soo Kun Jeon, Gyeonggi-do (KR);
Eun Hyun Park, Gyeonggi-do (KR)

(73) Assignee: **SEMICON LIGHT CO., LTD.**,
Gyeonggi-Do (KR)

(**) Term: **15 Years**

(21) Appl. No.: **29/569,234**

(22) Filed: **Jun. 24, 2016**

(30) **Foreign Application Priority Data**

Dec. 24, 2015 (KR) 30-2015-0066135

(51) **LOC (10) Cl.** **26-99**

(52) **U.S. Cl.**
USPC **D26/120**

(58) **Field of Classification Search**
USPC D26/1, 24, 120, 138; D13/180
CPC H01J 5/48; H01J 5/50; H01J 19/54
See application file for complete search history.

(56) **References Cited**

U.S. PATENT DOCUMENTS

D568,833 S * 5/2008 Li D13/180
D599,750 S * 9/2009 Kim D13/180

D622,680 S * 8/2010 Lin D13/180
D627,310 S * 11/2010 Lin D13/180
D627,921 S * 11/2010 Chen D26/138
D634,284 S * 3/2011 Ko D13/180
D634,285 S * 3/2011 Ko D13/180
8,415,692 B2 4/2013 Toquin 257/98
8,610,140 B2 12/2013 Joo et al. 257/88
D704,358 S * 5/2014 Joo D26/1
8,748,915 B2 6/2014 Chan et al. 257/91
D761,674 S * 7/2016 Nikaido D25/138

* cited by examiner

Primary Examiner — Brian N Vinson

(74) *Attorney, Agent, or Firm* — Harness, Dickey & Pierce, P.L.C.

(57) **CLAIM**

The ornamental design for a mold for packaging semiconductor light emitting device, as shown and described.

DESCRIPTION

FIG. 1 is a perspective view of a mold for packaging semiconductor light emitting device, showing our new design;

FIG. 2 is a front view thereof;

FIG. 3 is a rear view thereof;

FIG. 4 is a left side view thereof;

FIG. 5 is a right side view thereof;

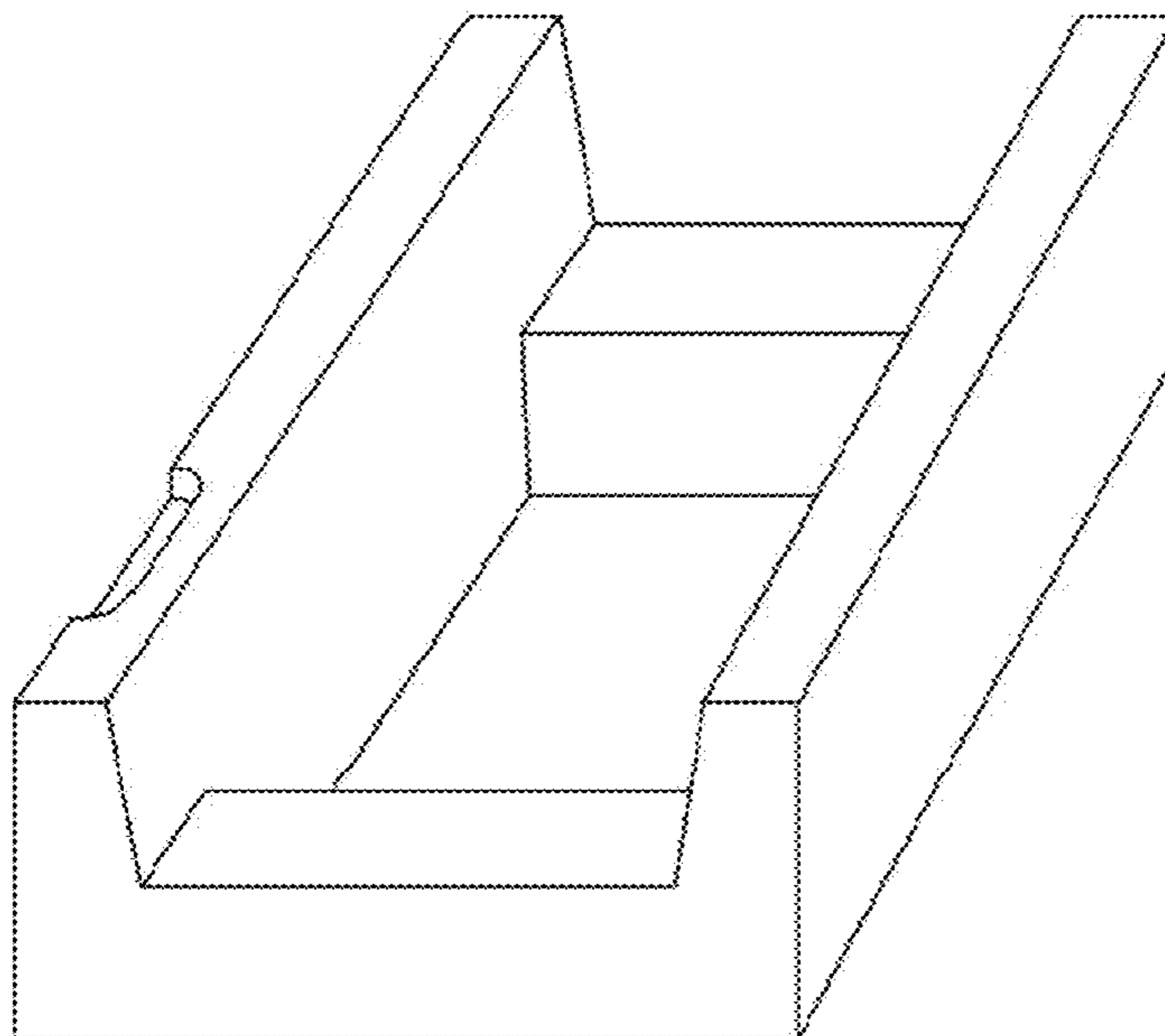
FIG. 6 is a top view thereof;

FIG. 7 is a bottom view thereof;

FIG. 8 is a sectional view thereof, taken generally along the line A-A' in FIG. 6; and,

FIG. 9 is a sectional view thereof, taken generally along the line B-B' in FIG. 6.

1 Claim, 6 Drawing Sheets



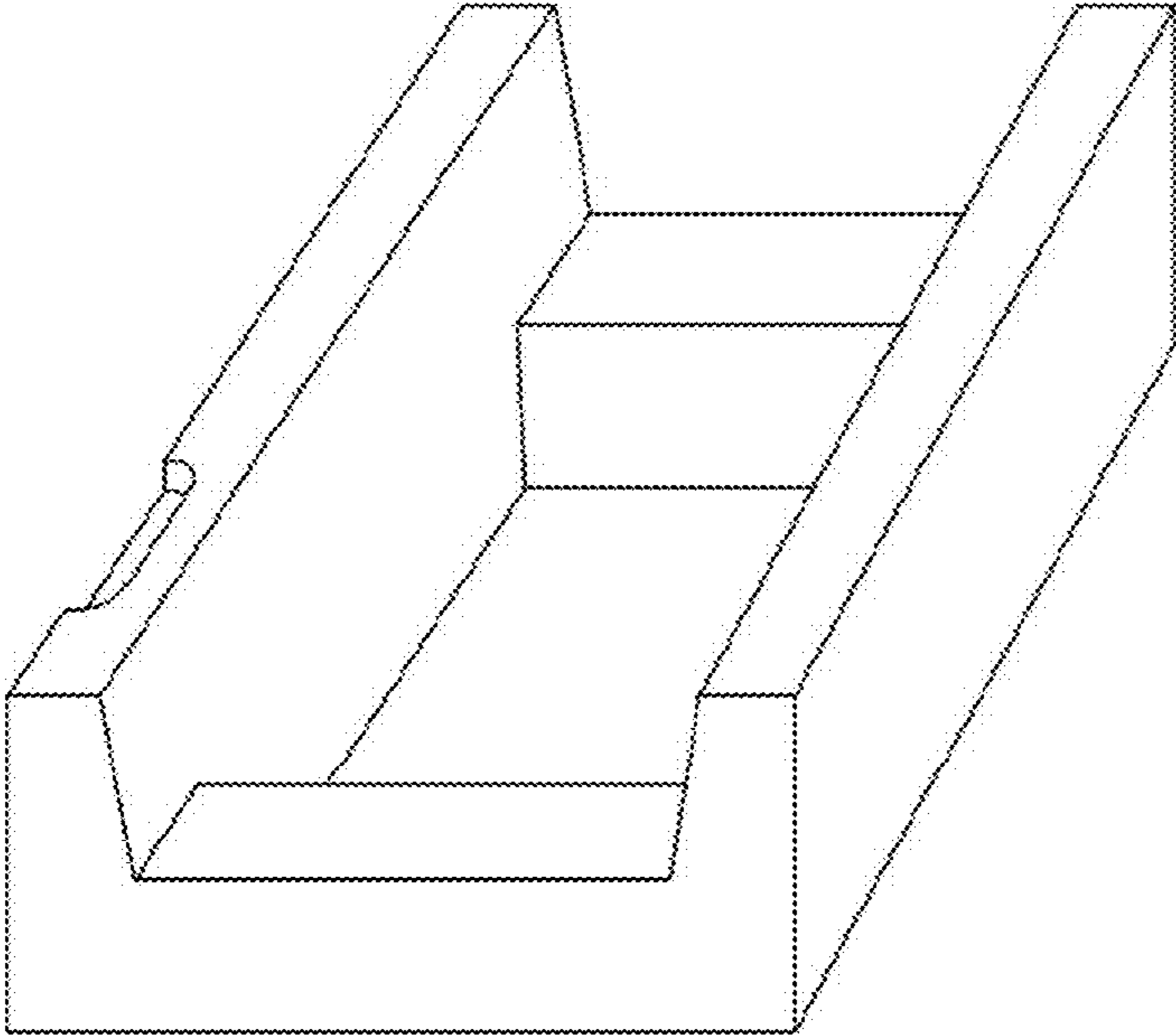


FIG. 1

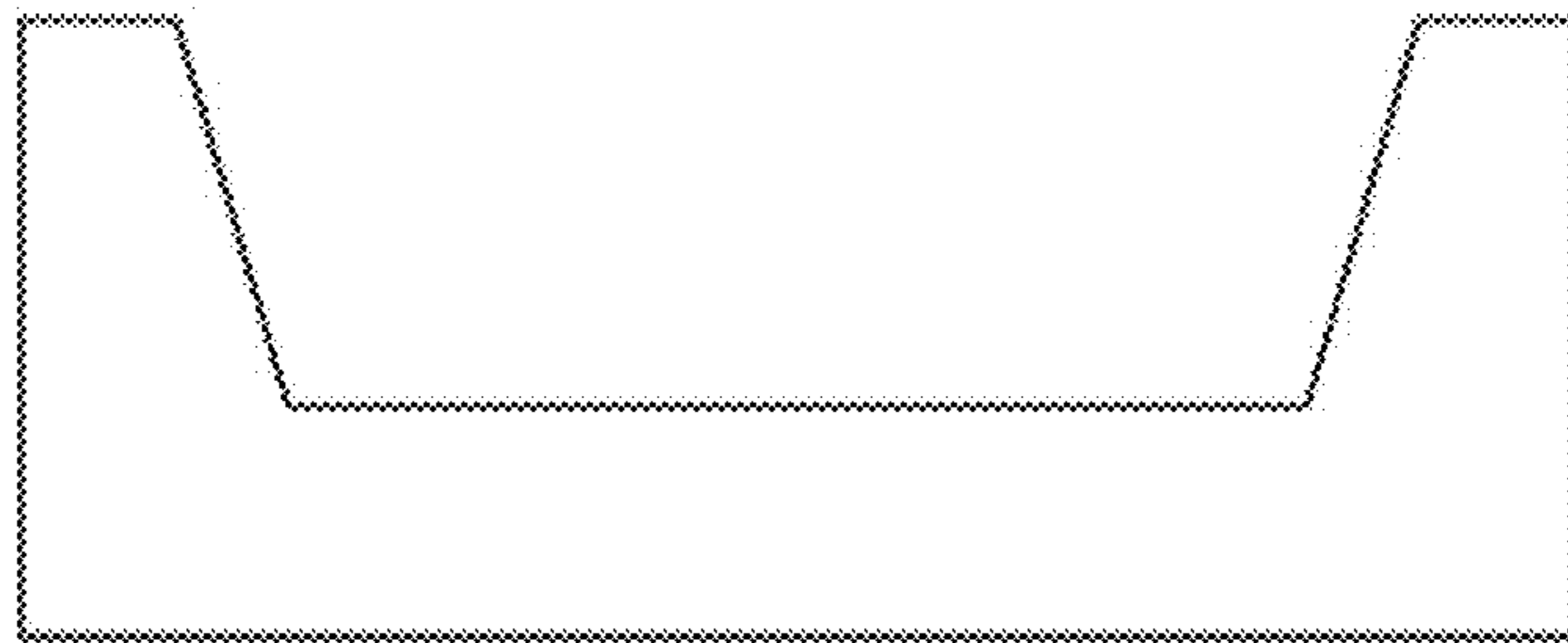


FIG. 2

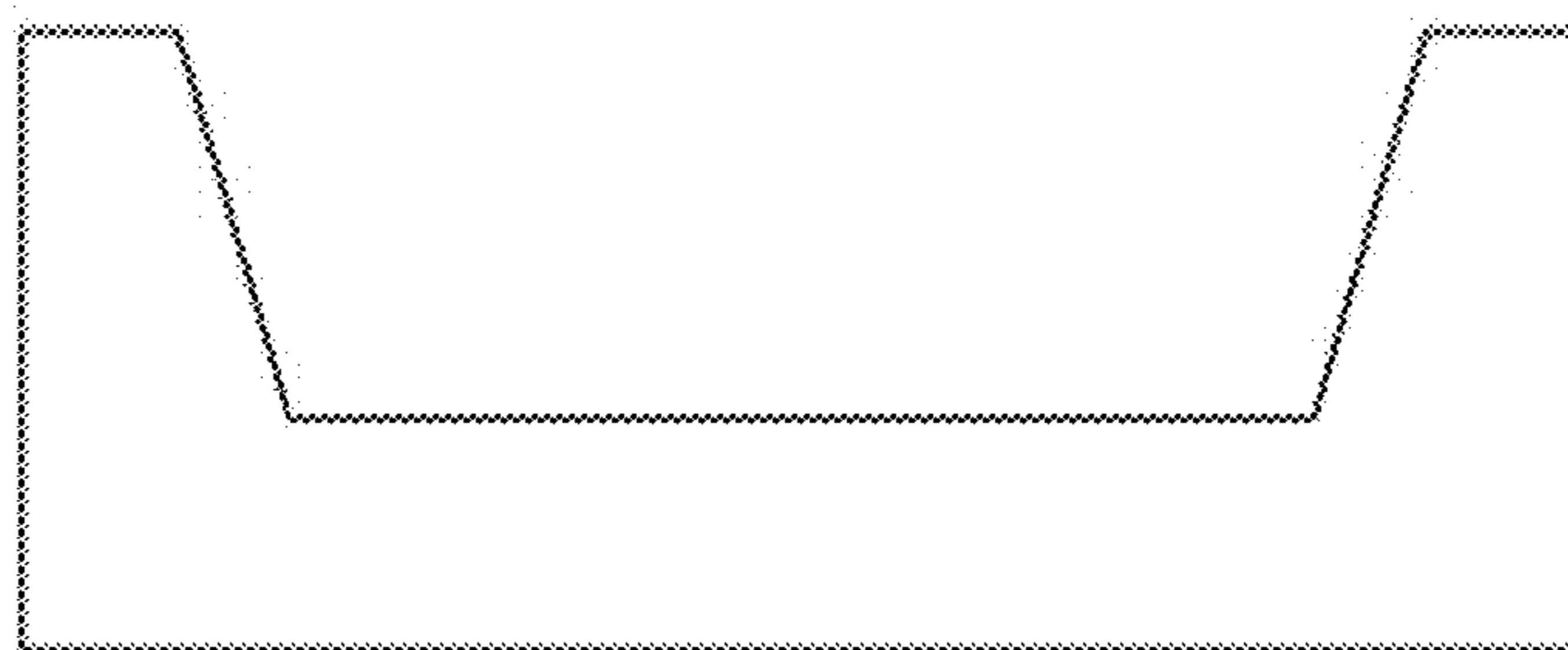


FIG. 3

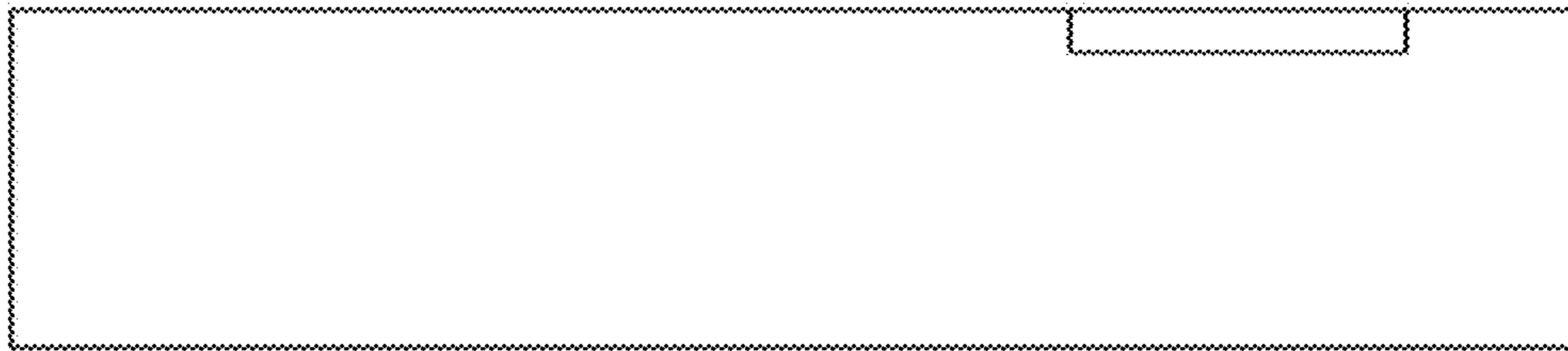


FIG. 4

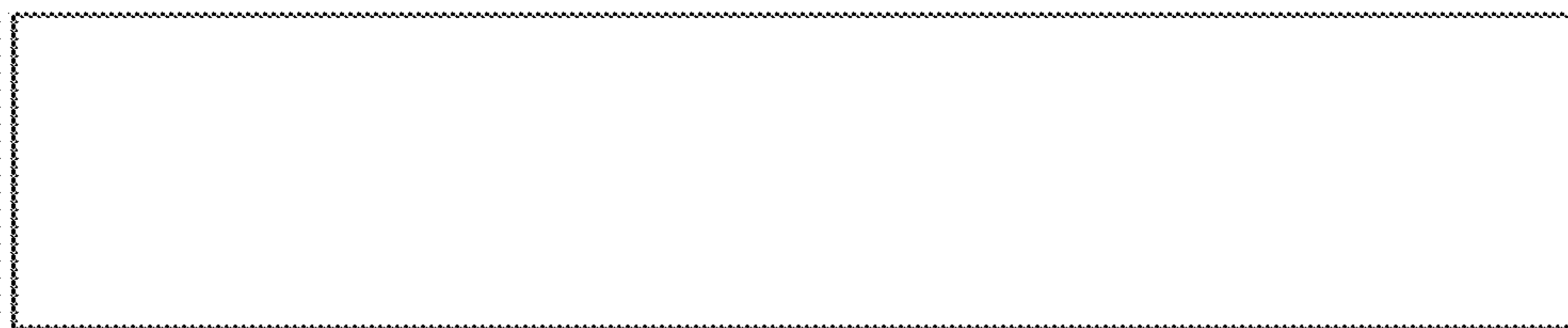


FIG. 5

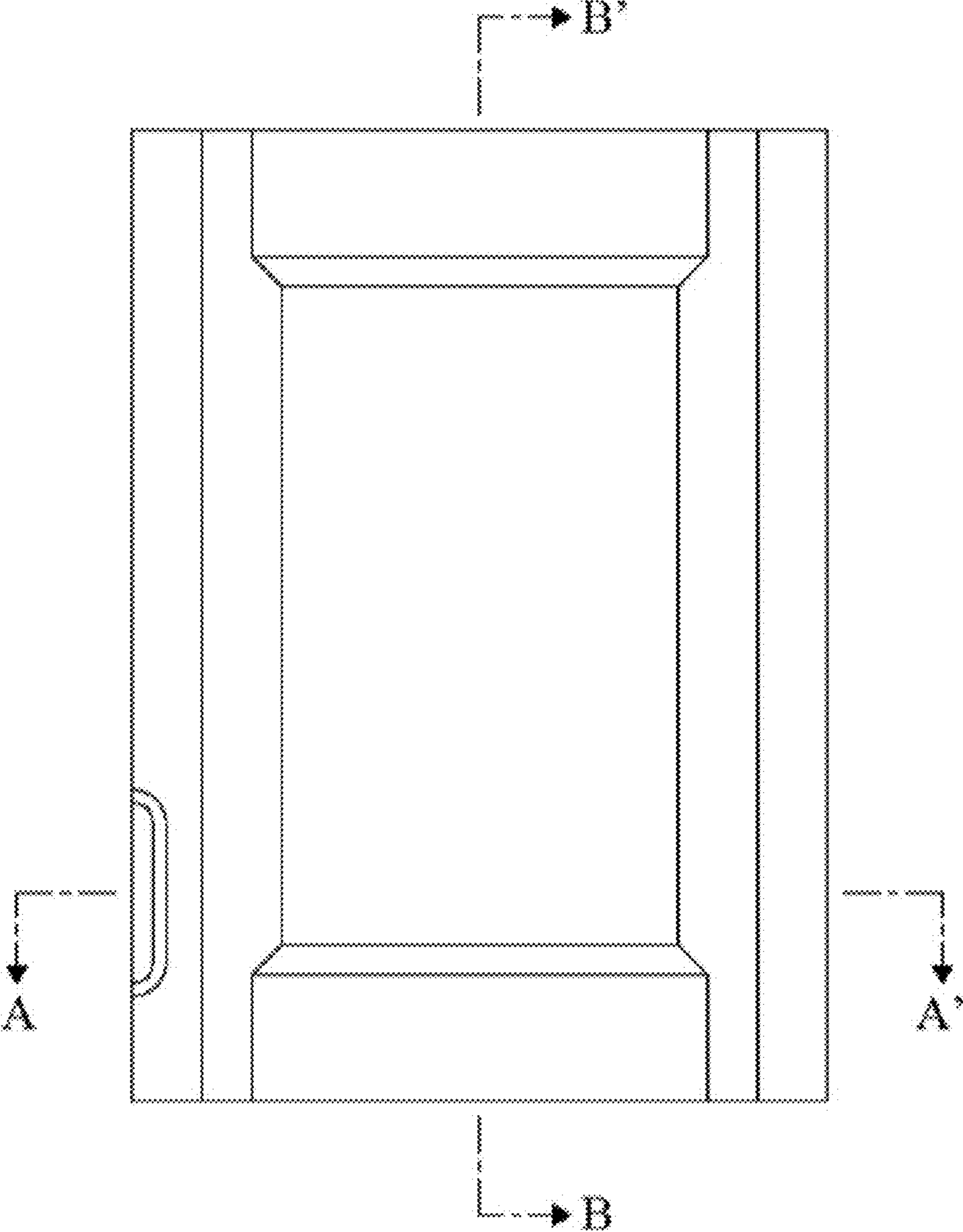


FIG. 6

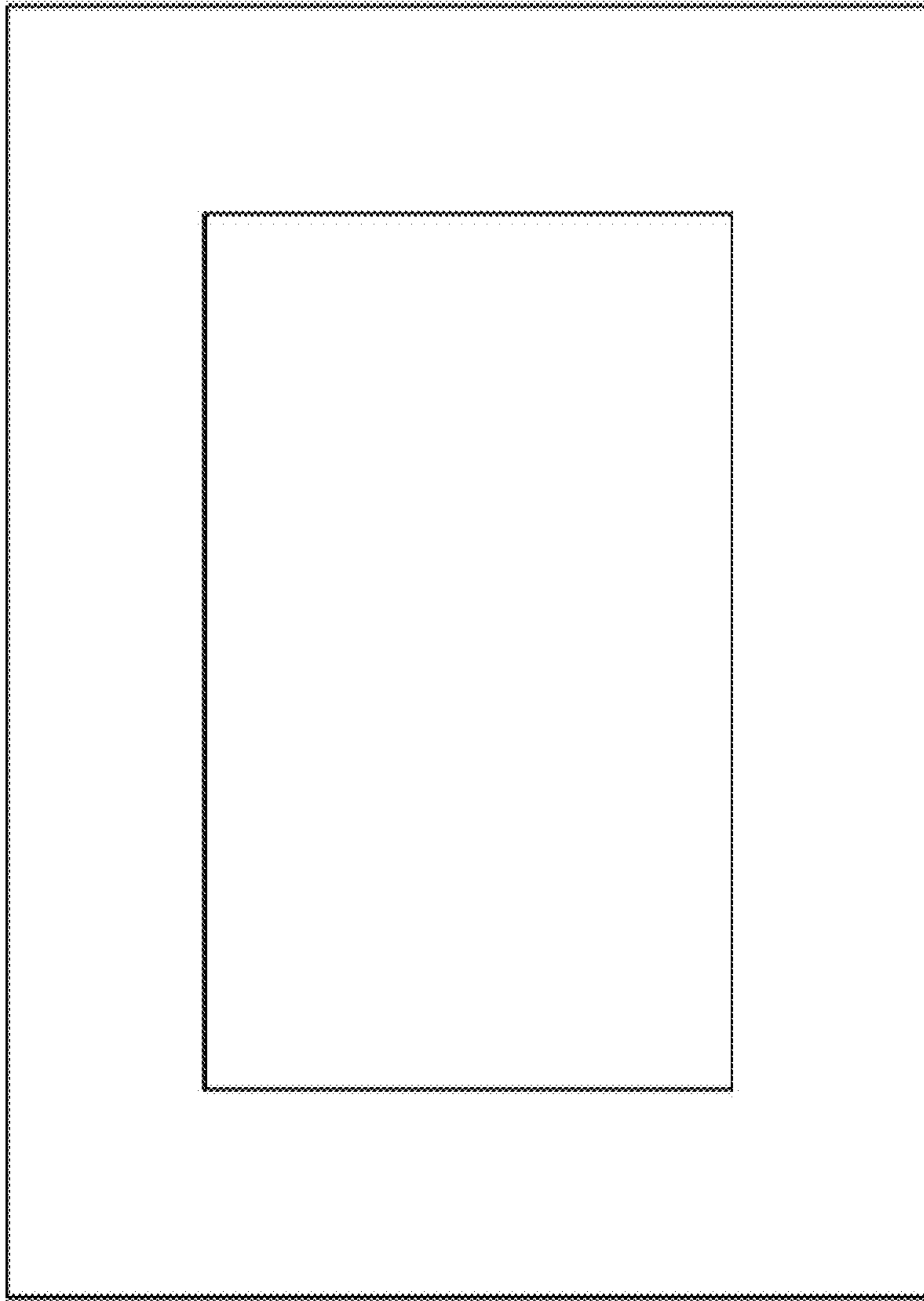


FIG. 7

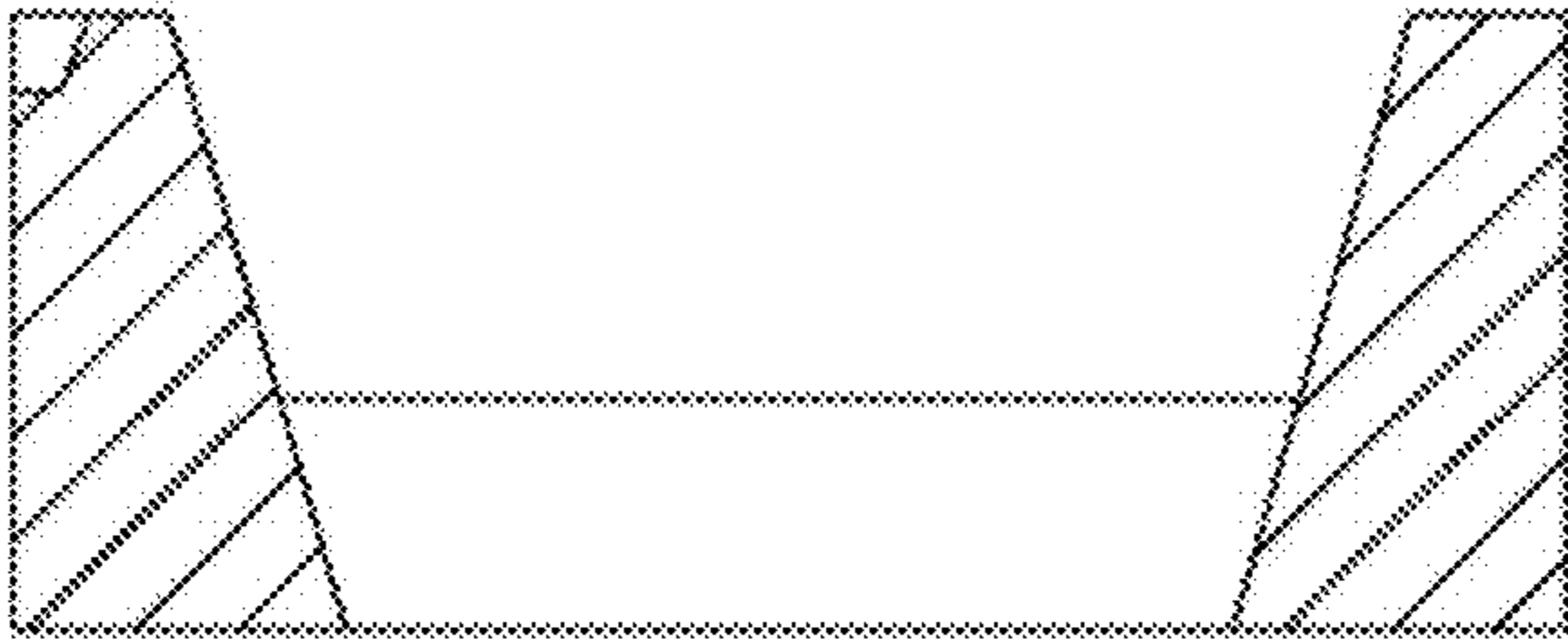


FIG. 8



FIG. 9