



US00D792997S

(12) **United States Design Patent**
Moeller

(10) **Patent No.:** **US D792,997 S**
(45) **Date of Patent:** **** Jul. 25, 2017**

(54) **FLOODLIGHT**

(71) Applicant: **STEINEL GmbH**, Herzebrock-Clarholz (DE)

(72) Inventor: **Thomas Moeller**, Herzebrock-Clarholz (DE)

(73) Assignee: **STEINEL GmbH**, Herzebrock-Clarholz (DE)

(**) Term: **15 Years**

(21) Appl. No.: **29/557,833**

(22) Filed: **Mar. 11, 2016**

(51) **LOC (10) Cl.** **26-03**

(52) **U.S. Cl.**
USPC **D26/65**

(58) **Field of Classification Search**
USPC D26/24, 51, 61, 63, 65, 72, 80, 118
CPC F21S 8/04; F21S 8/00; F21V 21/00; F21V 17/02; F21V 14/02; F21V 21/30; F21V 21/14; F21V 21/26; F21W 2131/10
See application file for complete search history.

(56) **References Cited**

U.S. PATENT DOCUMENTS

D742,053 S * 10/2015 Sussman D26/63
D745,201 S * 12/2015 Lee D26/63

D764,700 S * 8/2016 Chen D26/61

* cited by examiner

Primary Examiner — Brian N Vinson

(74) *Attorney, Agent, or Firm* — Snell & Wilmer L.L.P.

(57) **CLAIM**

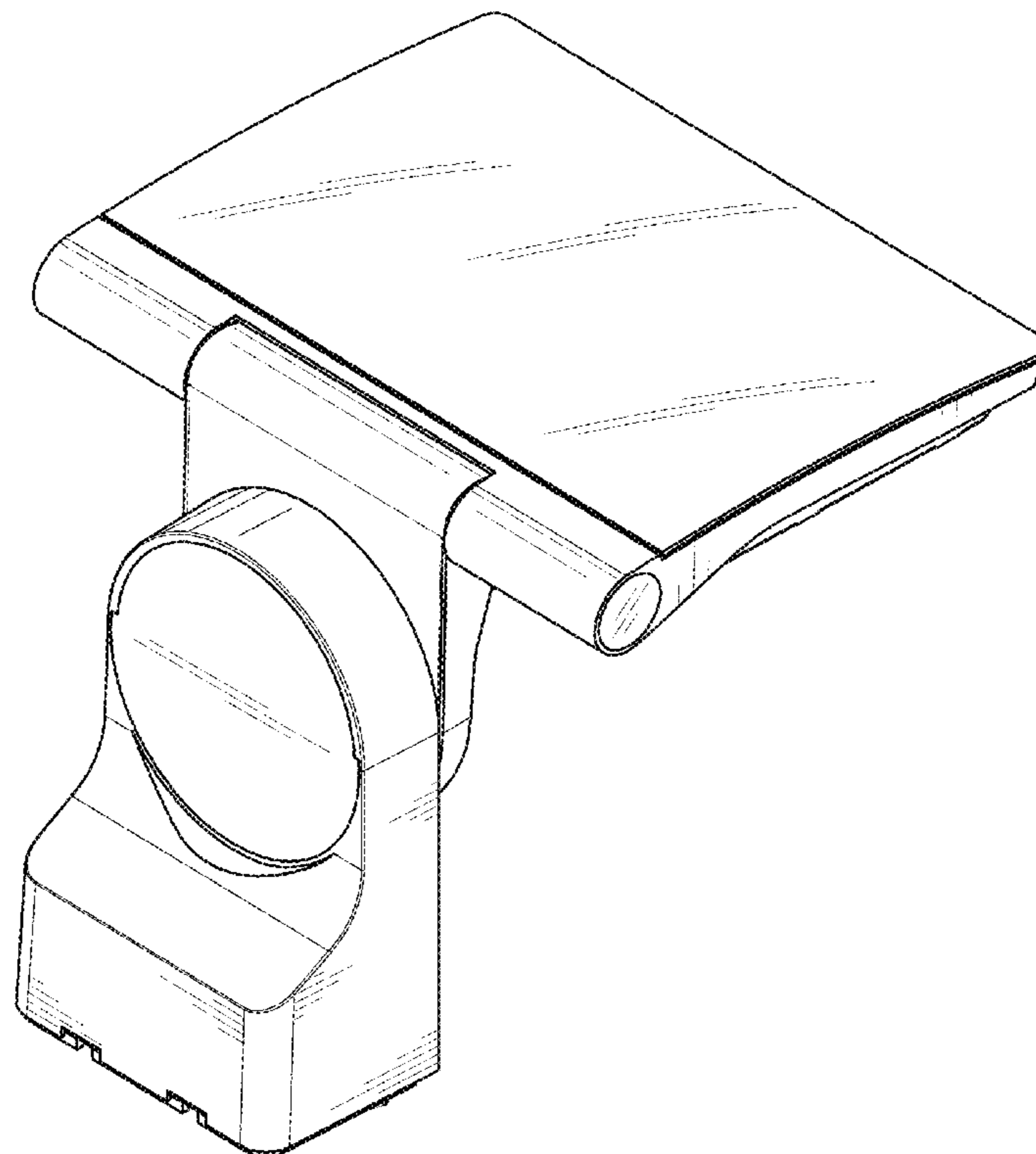
An ornamental design for a floodlight, as shown and described.

DESCRIPTION

FIG. 1 is a first side perspective view illustrating the floodlight showing my new design;
FIG. 2 is a second side perspective view illustrating the floodlight showing my new design;
FIG. 3 is a front view of the floodlight shown in FIGS. 1 and 2;
FIG. 4 is a rear view of the floodlight shown in FIGS. 1 and 2;
FIG. 5 is a top plan view of the floodlight shown in FIGS. 1 and 2;
FIG. 6 is a bottom plan view of the floodlight shown in FIGS. 1 and 2;
FIG. 7 is a first side view of the floodlight shown in FIGS. 1 and 2; and,
FIG. 8 is a second side view of the floodlight shown in FIGS. 1 and 2.

The broken line disclosure in the views represents portions of the floodlight which form no part of the claimed design.

1 Claim, 8 Drawing Sheets



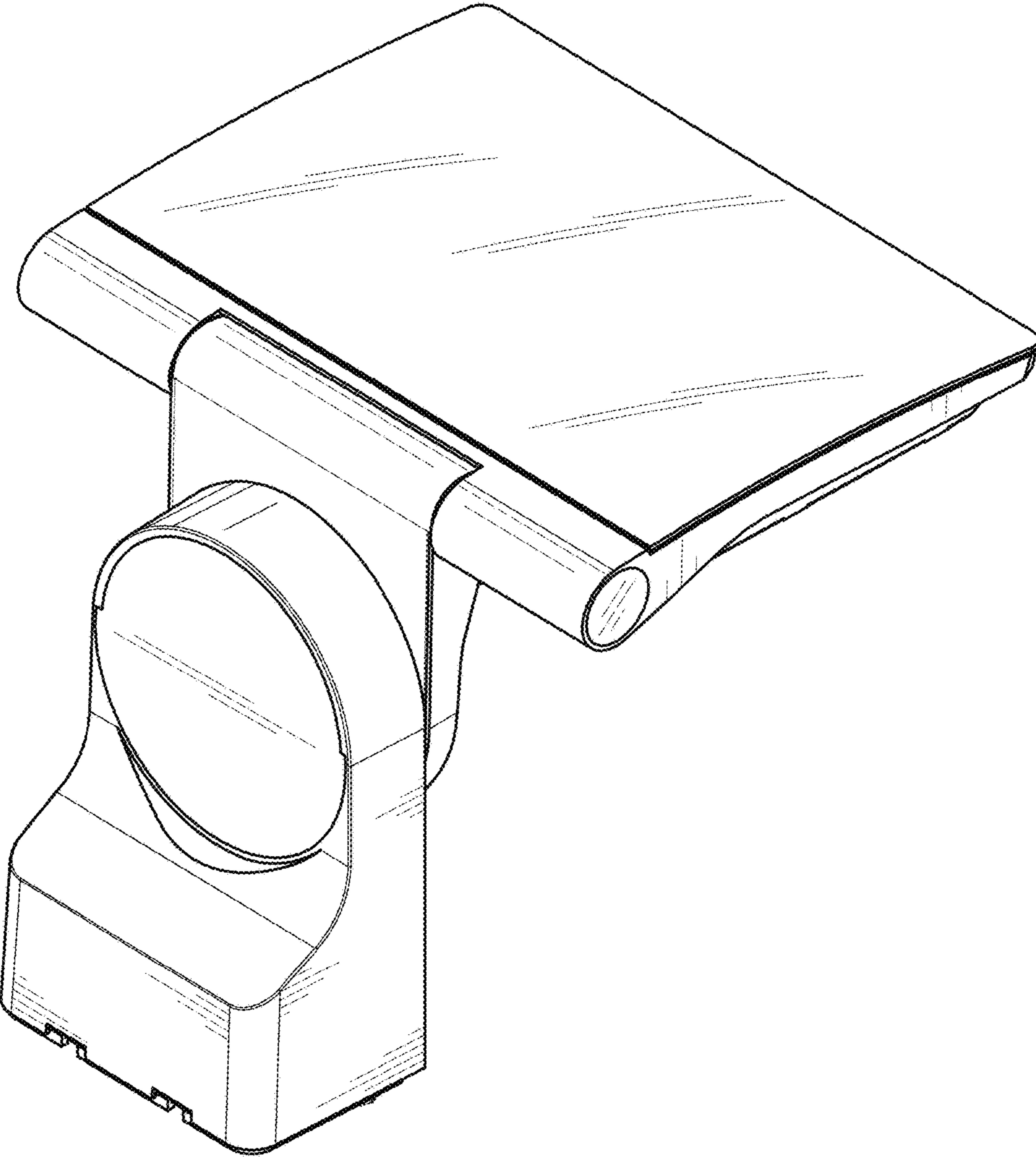


FIG. 1

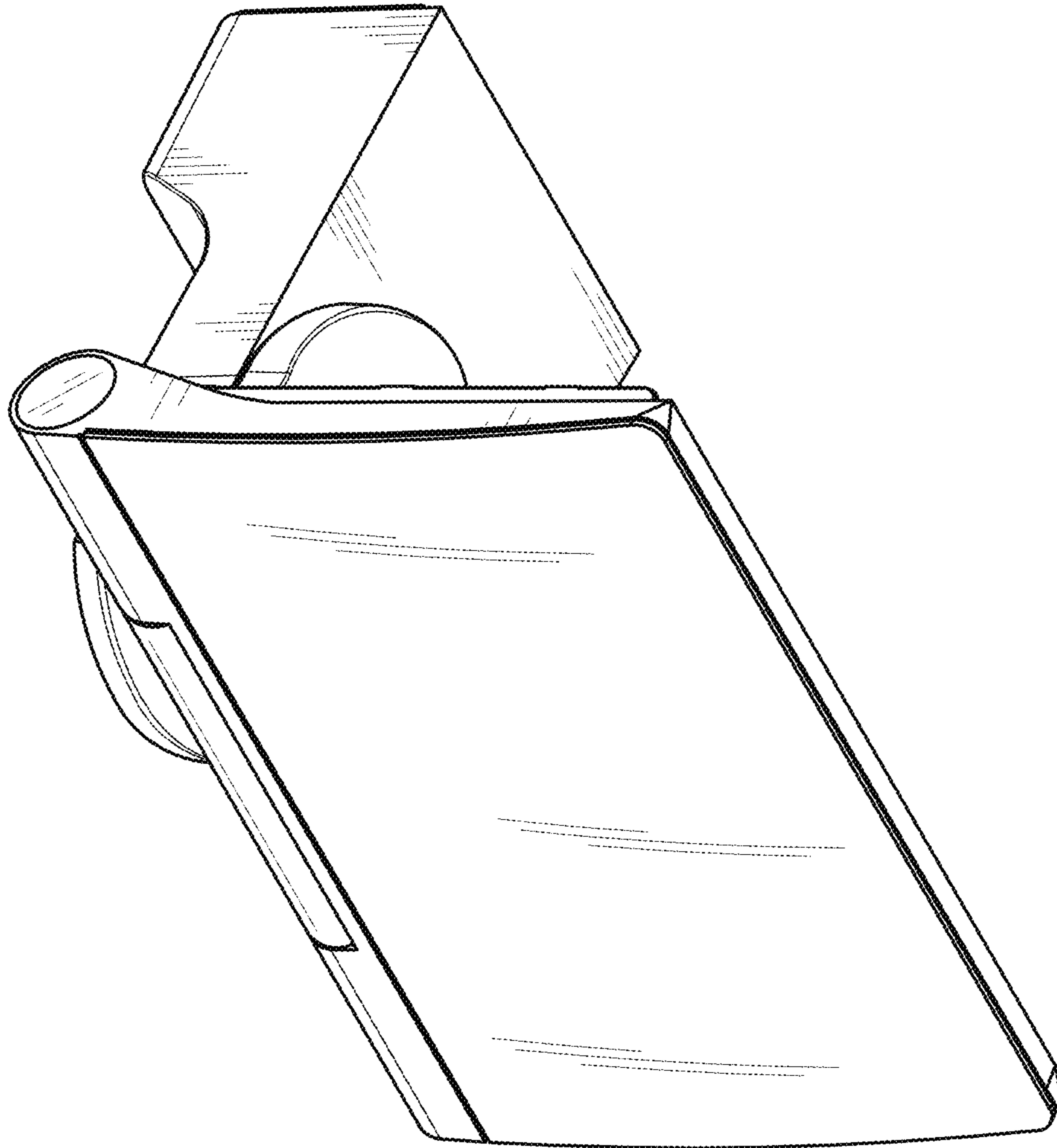


FIG. 2

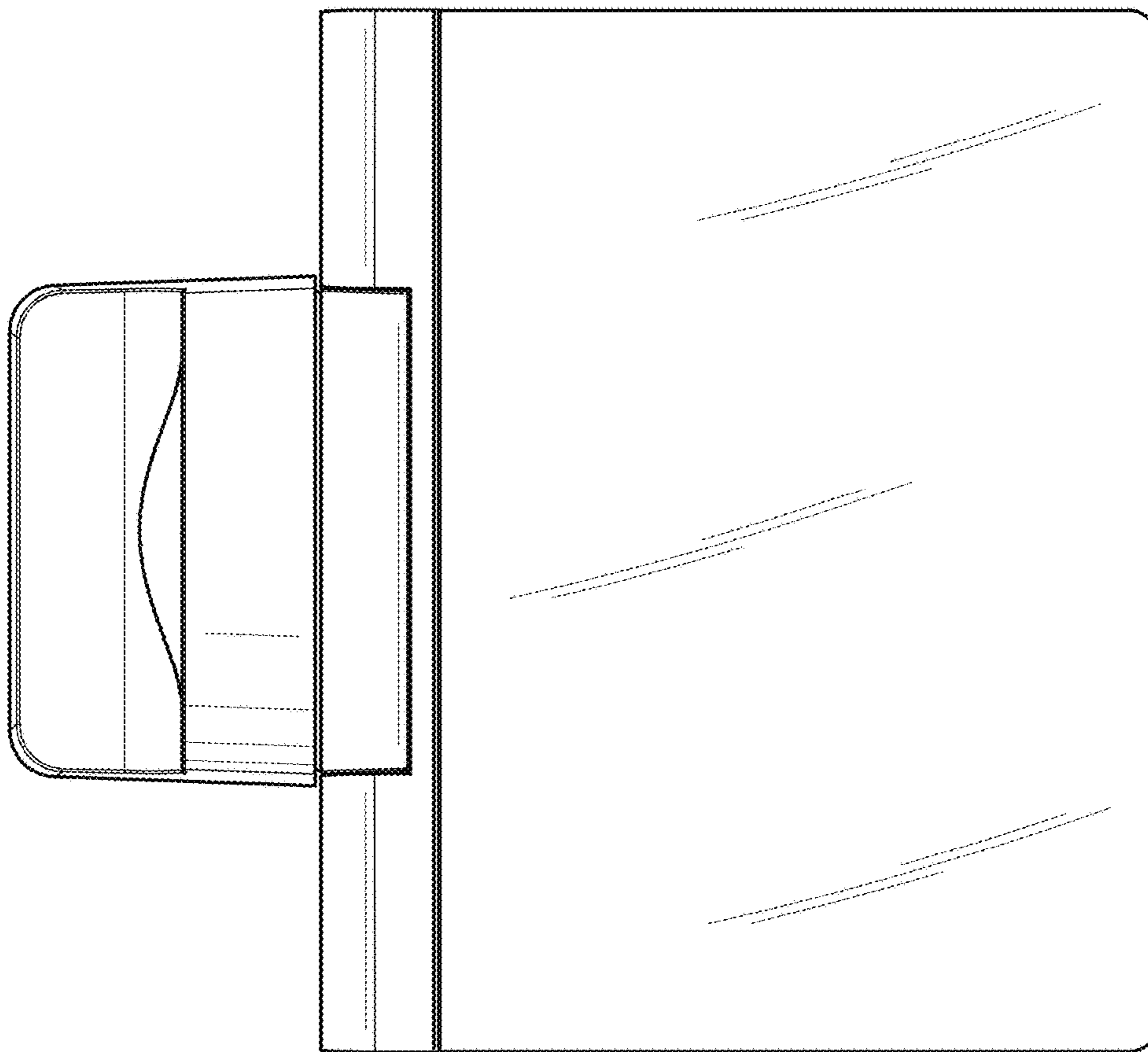


FIG. 3

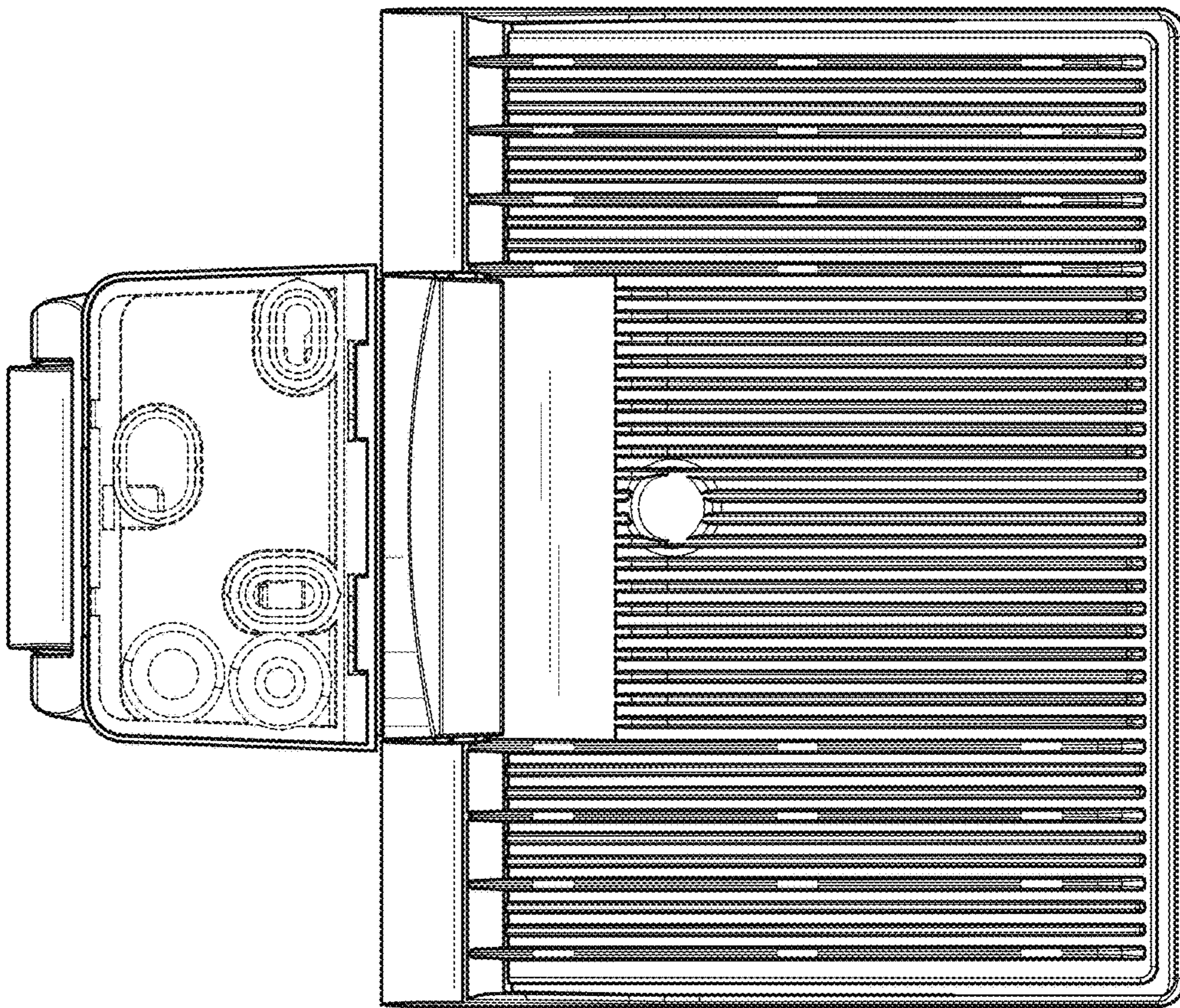


FIG. 4

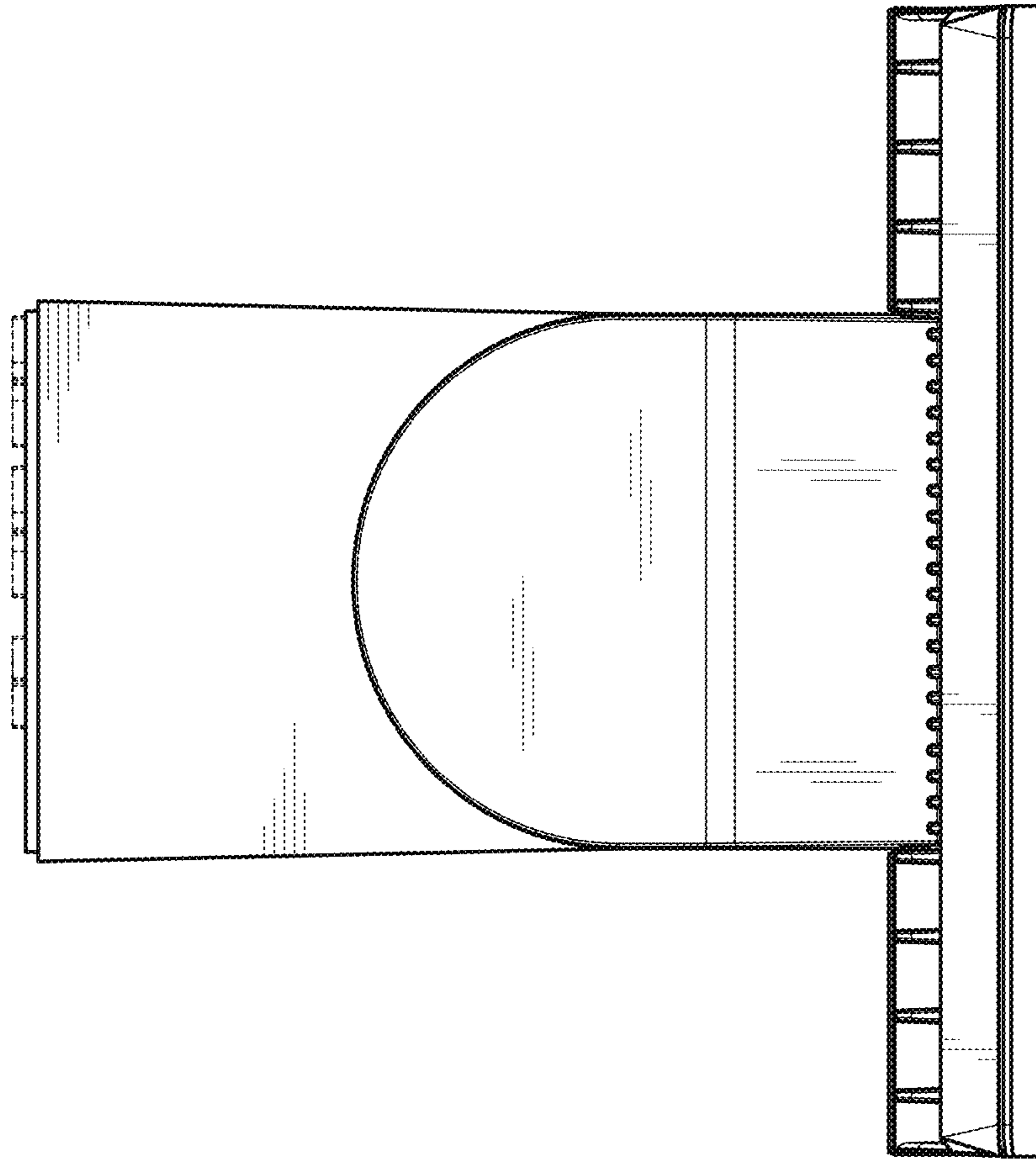


FIG. 5

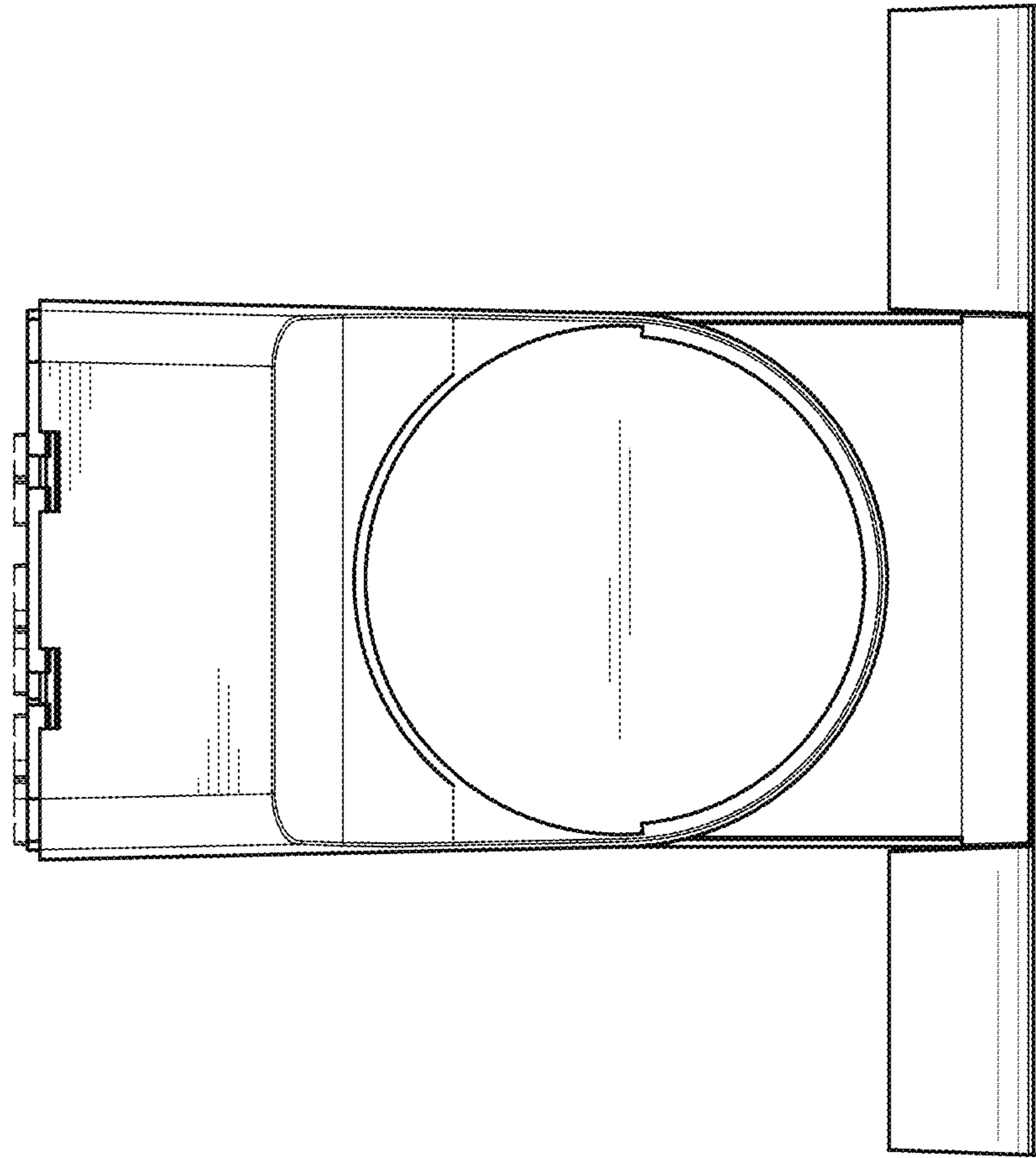


FIG. 6

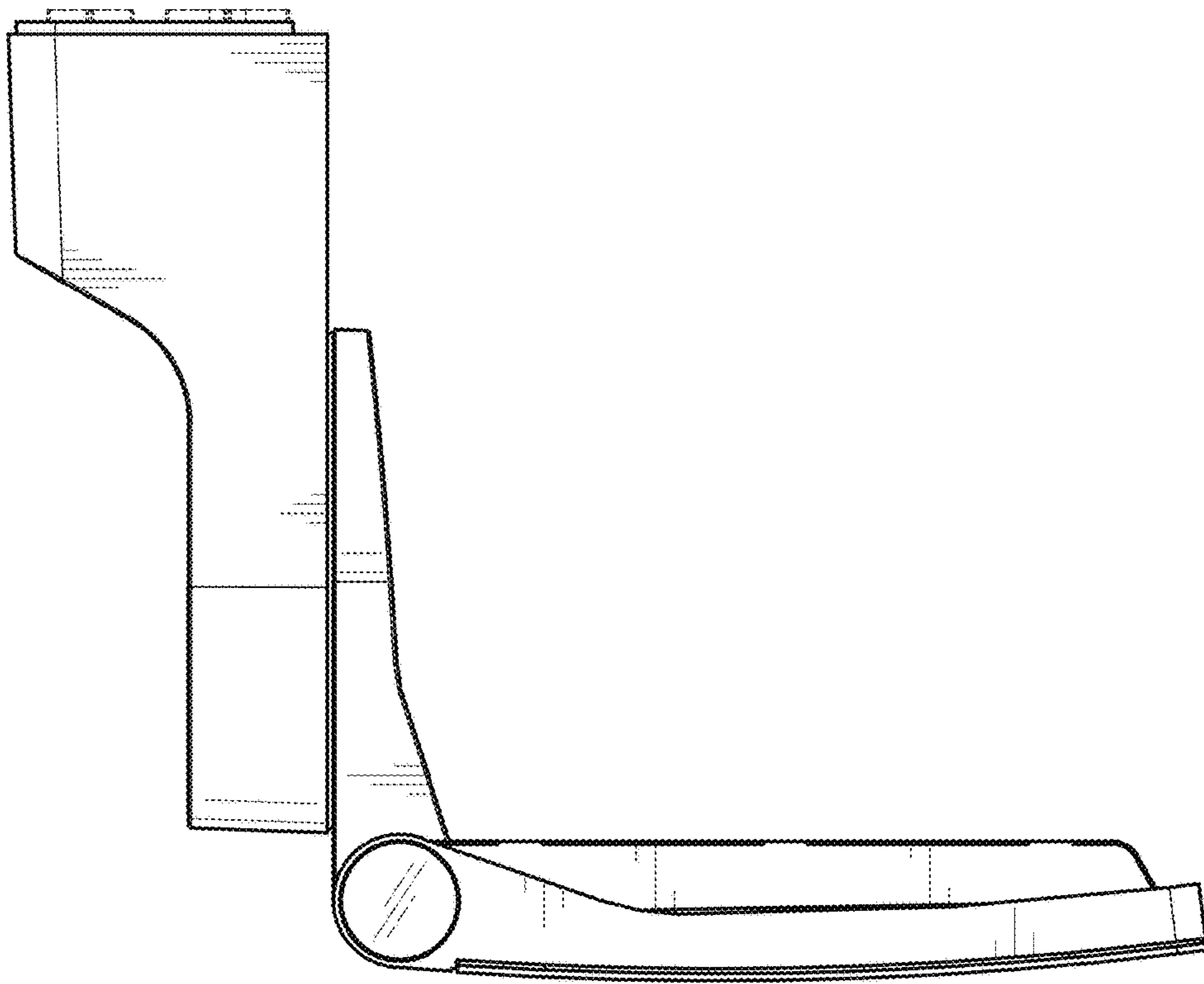


FIG. 7

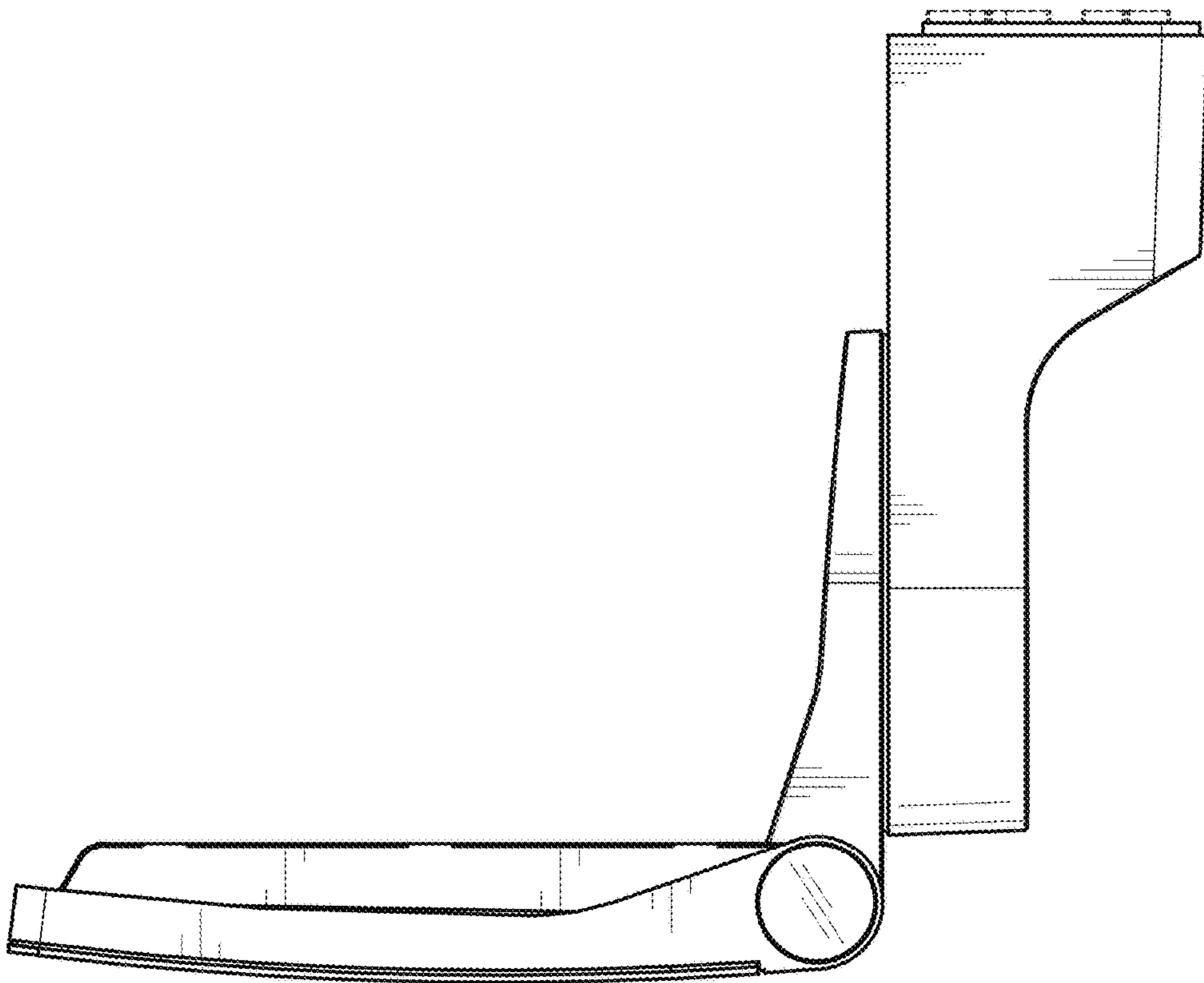


FIG. 8