



US00D792996S

(12) **United States Design Patent**  
**Moeller**

(10) **Patent No.:** **US D792,996 S**  
(45) **Date of Patent:** **\*\* Jul. 25, 2017**

(54) **SENSOR FLOODLIGHT**

(71) Applicant: **STEINEL GmbH**, Herzebrock-Clarholz (DE)

(72) Inventor: **Thomas Moeller**, Herzebrock-Clarholz (DE)

(73) Assignee: **STEINEL GmbH**, Herzebrock-Clarholz (DE)

(\*\*) Term: **15 Years**

(21) Appl. No.: **29/557,827**

(22) Filed: **Mar. 11, 2016**

(51) **LOC (10) Cl.** ..... **26-03**

(52) **U.S. Cl.**  
USPC ..... **D26/65**

(58) **Field of Classification Search**  
USPC ..... D26/24, 51, 61, 63, 65, 72, 80, 118  
CPC .... F21S 8/04; F21S 8/00; F21V 21/00; F21V 17/02; F21V 14/02; F21V 21/30; F21V 21/14; F21V 21/26; F21W 2131/10  
See application file for complete search history.

(56) **References Cited**

**U.S. PATENT DOCUMENTS**

D742,053 S \* 10/2015 Sussman ..... D26/63  
D745,201 S \* 12/2015 Lee ..... D26/63

D764,700 S \* 8/2016 Chen ..... D26/61

\* cited by examiner

*Primary Examiner* — Brian N Vinson

(74) *Attorney, Agent, or Firm* — Snell & Wilmer L.L.P.

(57) **CLAIM**

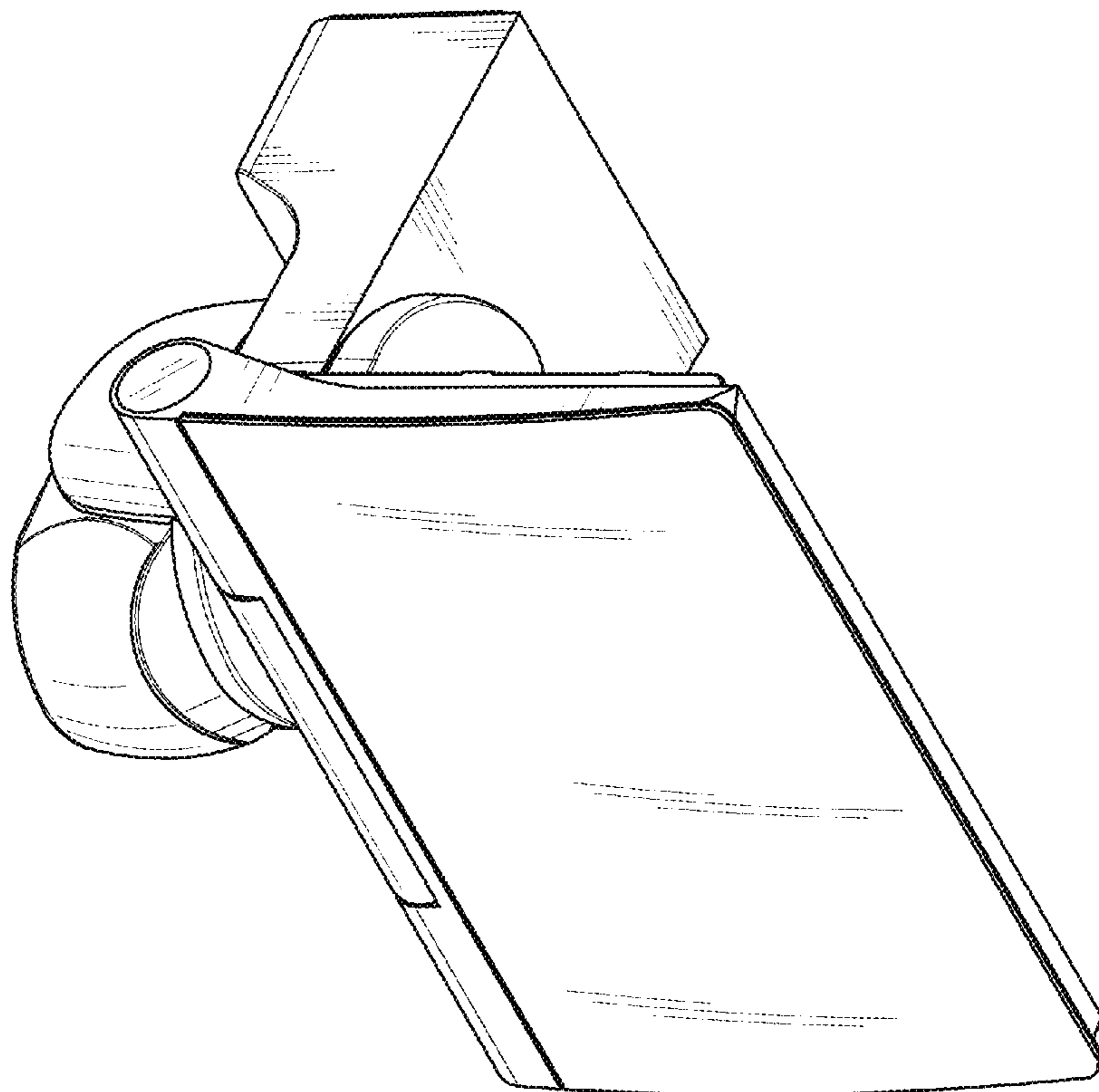
An ornamental design for a sensor floodlight, as shown and described.

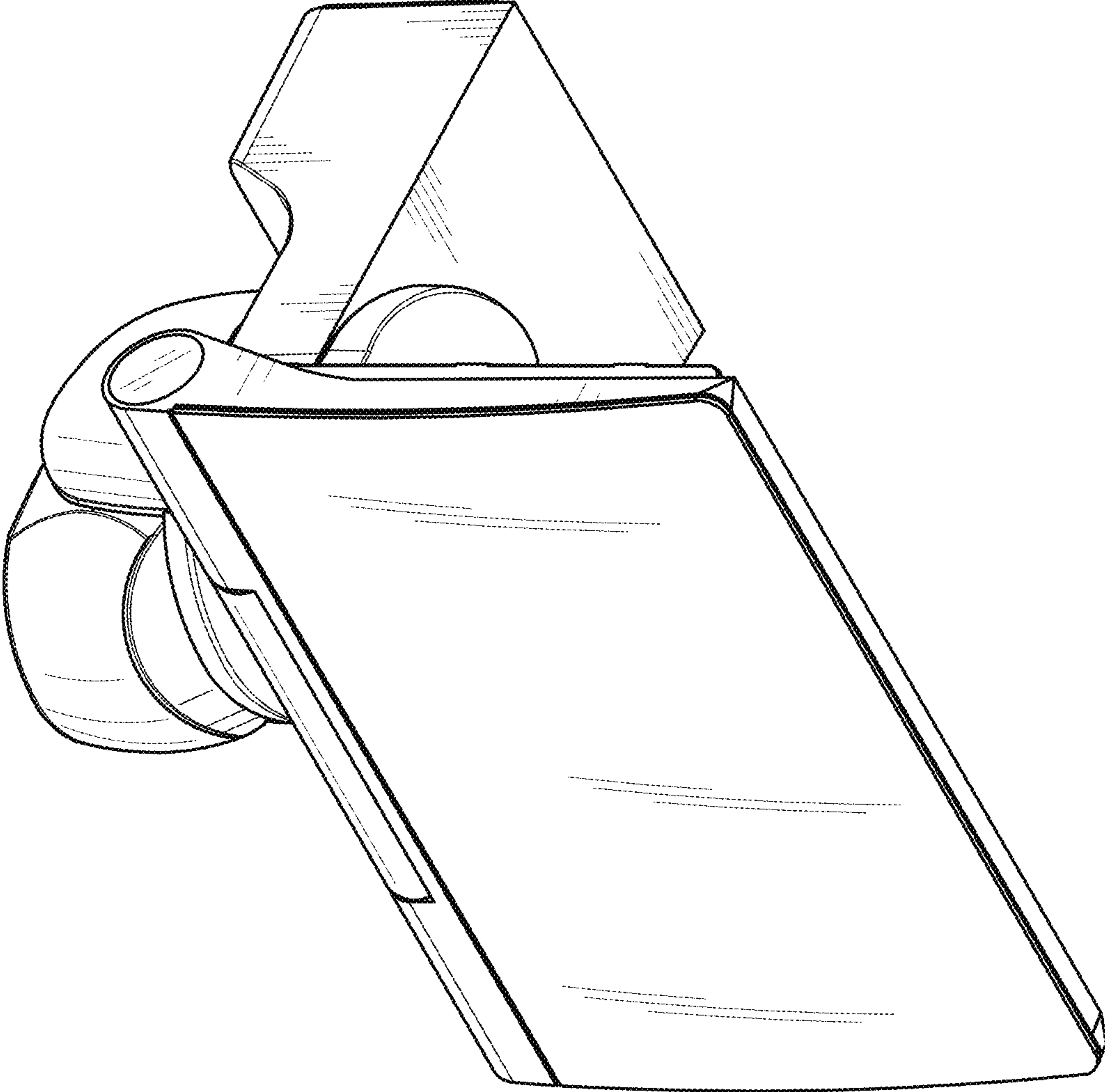
**DESCRIPTION**

FIG. 1 is a first side perspective view illustrating the sensor floodlight showing my new design;  
FIG. 2 is a second side perspective view illustrating the sensor floodlight showing my new design;  
FIG. 3 is a front view of the sensor floodlight shown in FIGS. 1 and 2;  
FIG. 4 is a rear view of the sensor floodlight shown in FIGS. 1 and 2;  
FIG. 5 is a top plan view of the sensor floodlight shown in FIGS. 1 and 2;  
FIG. 6 is a bottom plan view of the sensor floodlight shown in FIGS. 1 and 2;  
FIG. 7 is a first side view of the sensor floodlight shown in FIGS. 1 and 2; and,  
FIG. 8 is a second side view of the sensor floodlight shown in FIGS. 1 and 2.

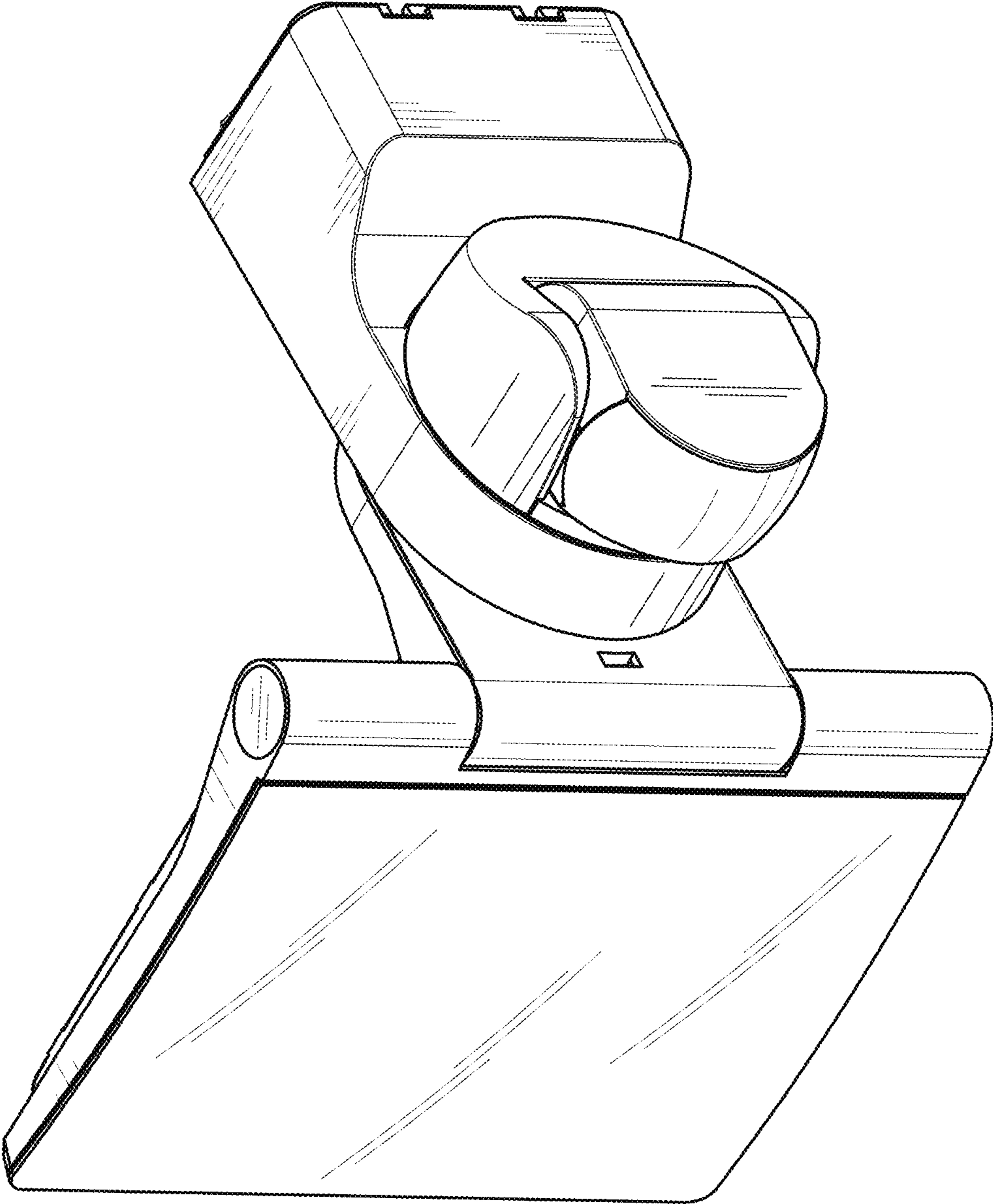
The broken line disclosure in the views represents portions of the floodlight which form no part of the claimed design.

**1 Claim, 8 Drawing Sheets**

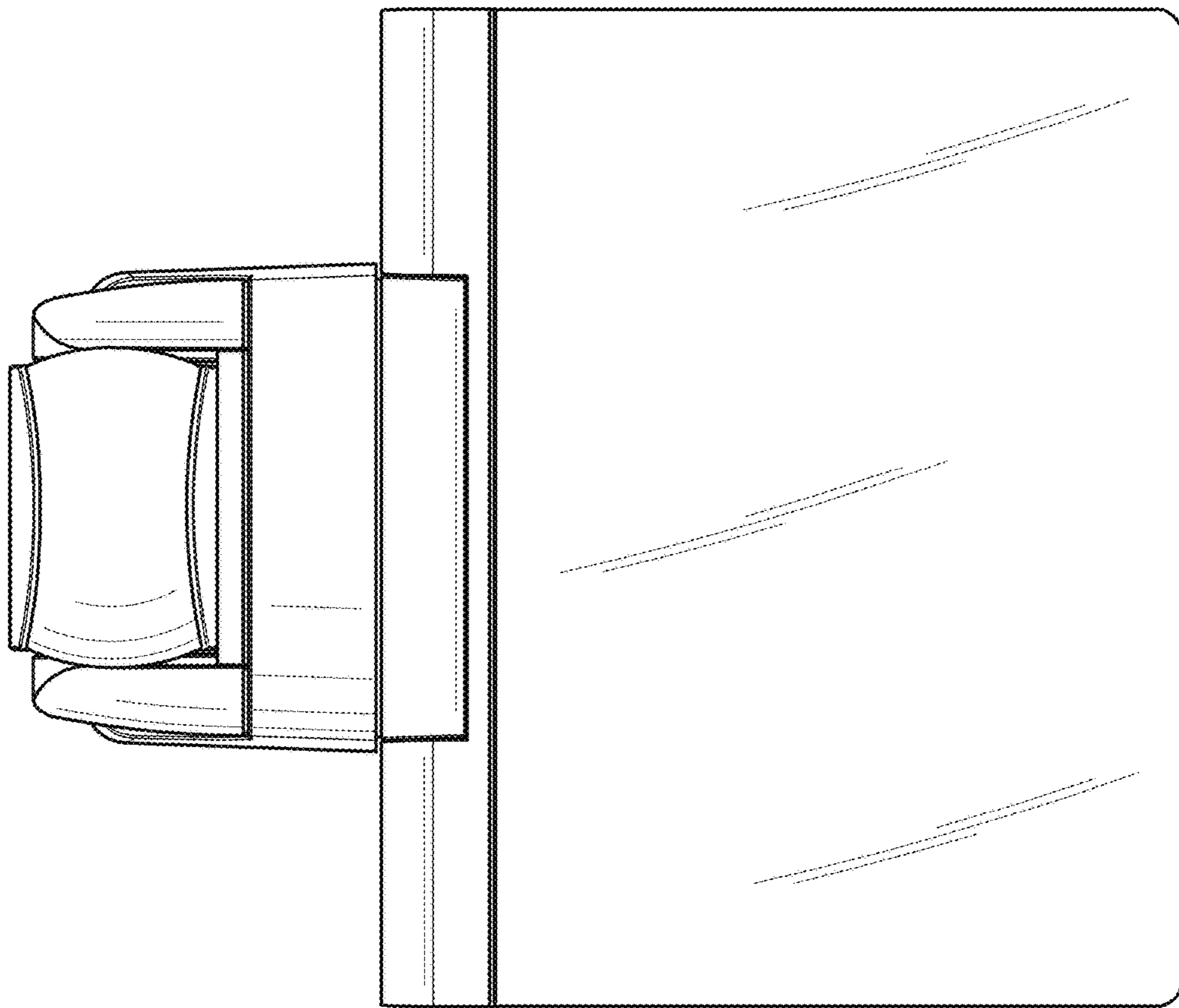




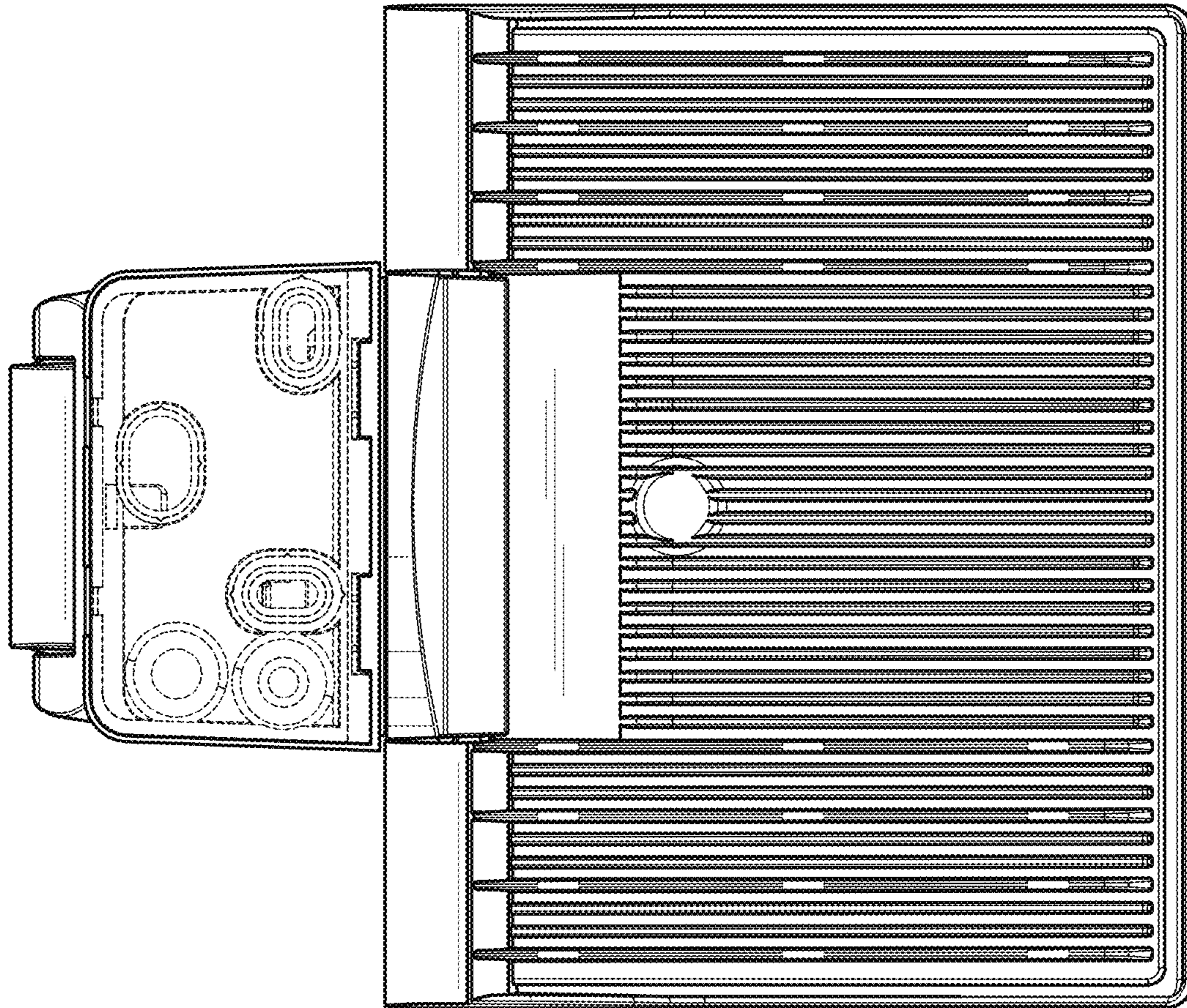
*FIG. 1*



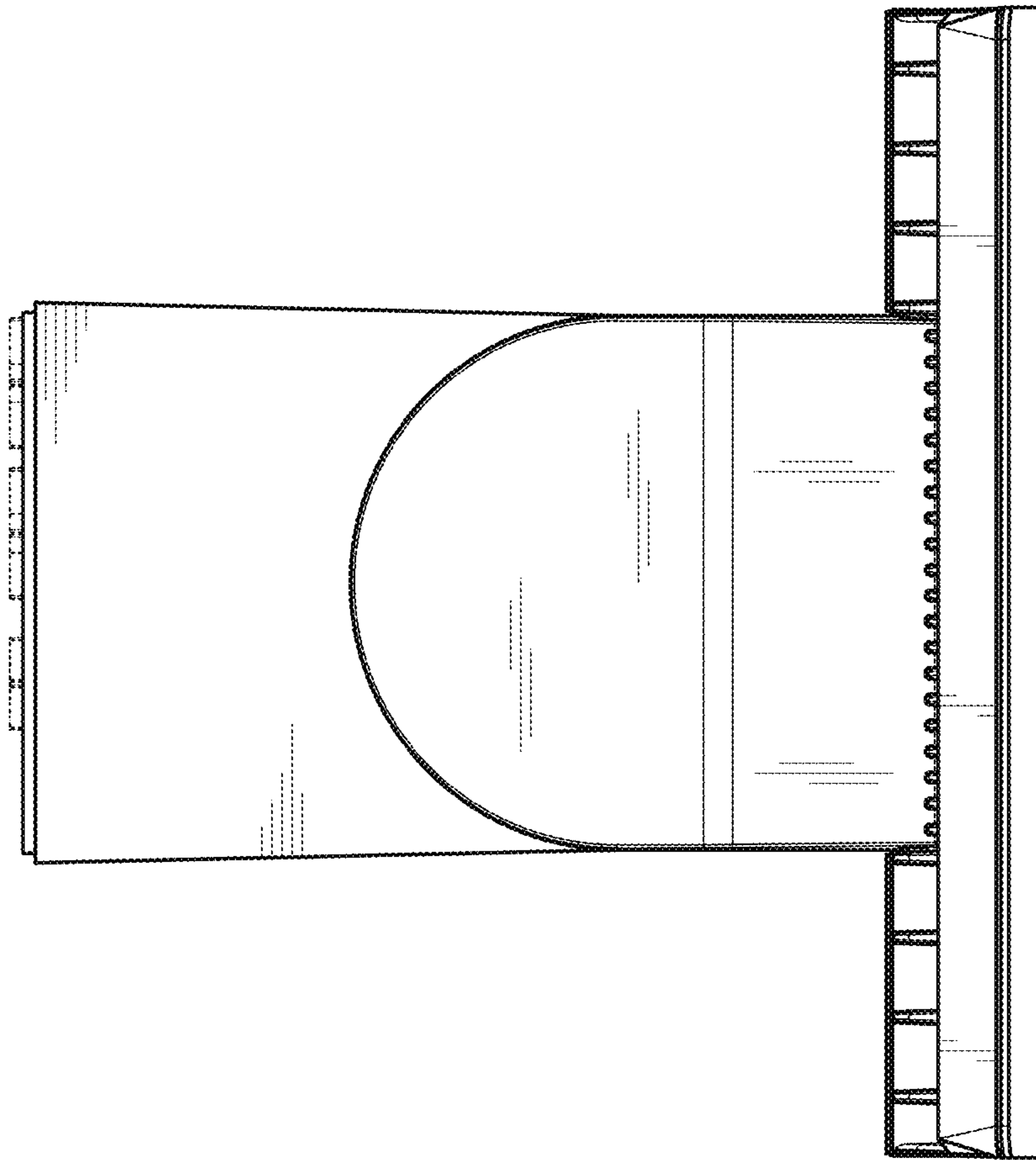
*FIG. 2*



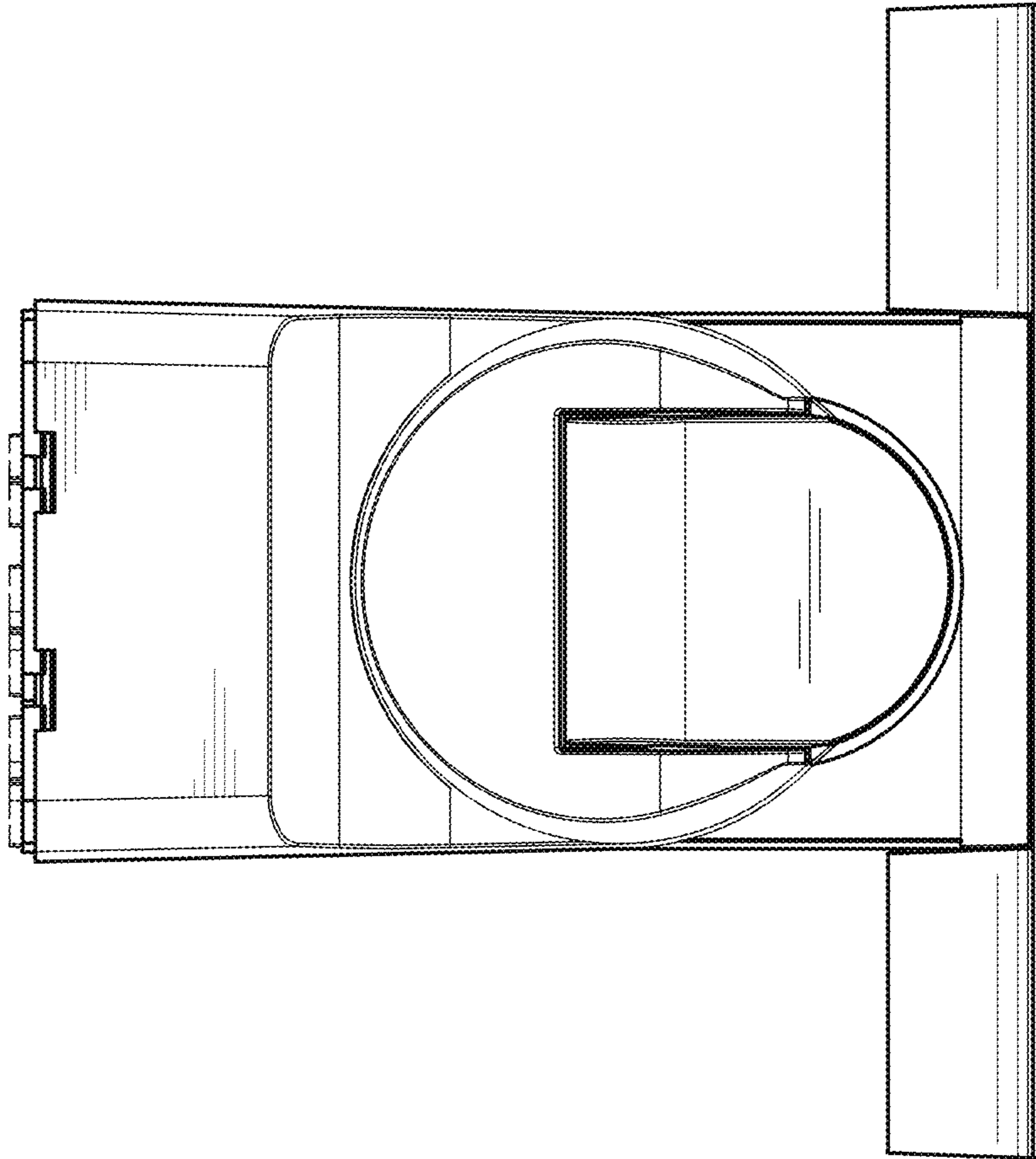
*FIG. 3*



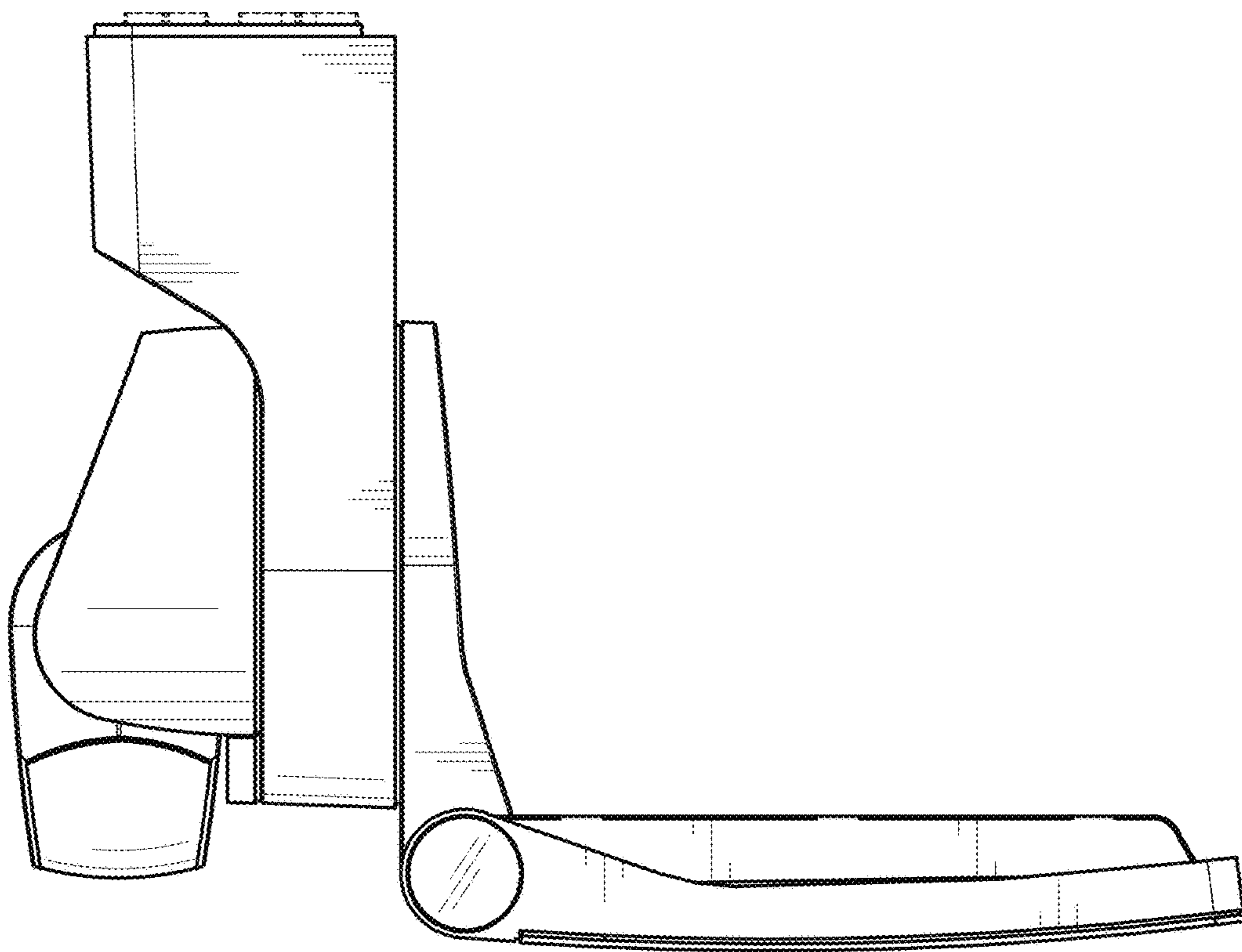
*FIG. 4*



*FIG. 5*

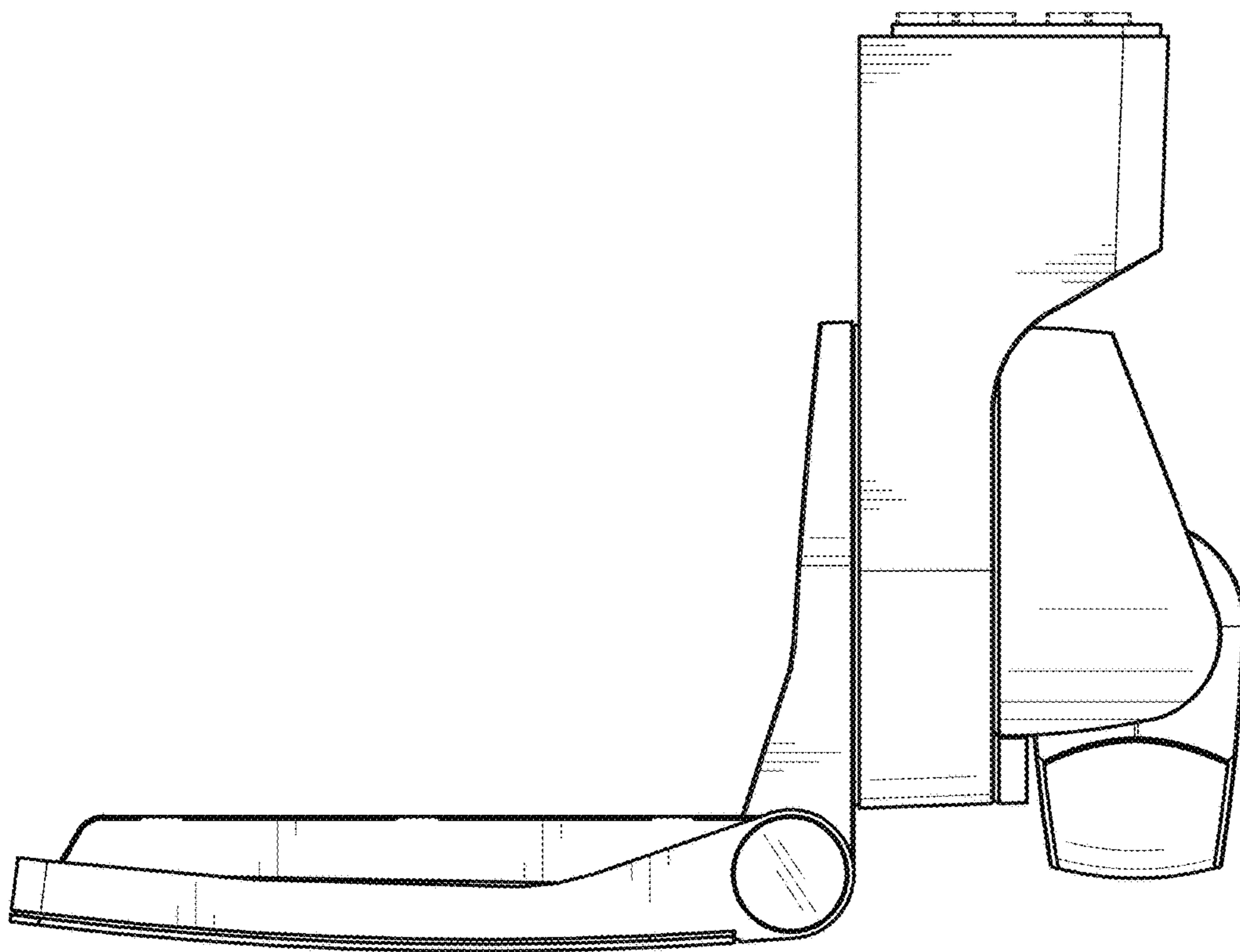


*FIG. 6*



*FIG. 7*





*FIG. 8*