



US00D792995S

(12) **United States Design Patent**
Colasse

(10) **Patent No.:** **US D792,995 S**

(45) **Date of Patent:** **** Jul. 25, 2017**

(54) **PORTABLE LIGHT**

(71) Applicant: **Laurent Colasse**, Santa Barbara, CA
(US)

(72) Inventor: **Laurent Colasse**, Santa Barbara, CA
(US)

(**) Term: **15 Years**

(21) Appl. No.: **29/558,855**

(22) Filed: **Mar. 22, 2016**

(51) **LOC (10) Cl.** **26-02**

(52) **U.S. Cl.**
USPC **D26/38**

(58) **Field of Classification Search**
USPC D26/1, 24, 34, 38, 51, 60, 45, 123, 124;
D8/75, 80, 105, 107
CPC B25B 21/00; F16D 41/206; B25F 5/001;
A45B 3/04
See application file for complete search history.

(56) **References Cited**

U.S. PATENT DOCUMENTS

4,881,154 A *	11/1989	Tseng	A45B 3/04 362/102
D367,416 S *	2/1996	Gustafson	D8/80
D403,452 S *	12/1998	Kim	D26/38
D410,098 S *	5/1999	Chiu	D26/38
D410,328 S *	6/1999	Alajajian	D26/38
D430,726 S *	9/2000	Burbrink	D26/38

D459,190 S *	6/2002	Chen	D26/38
D485,382 S *	1/2004	Palm	D26/38
D648,201 S *	11/2011	Cortez-Sanchez	D8/75
D787,103 S *	5/2017	Elofsson	D26/38

* cited by examiner

Primary Examiner — Brian N Vinson

(74) *Attorney, Agent, or Firm* — Guy Cumberbatch

(57) **CLAIM**

The ornamental design for a portable light, as shown and described.

DESCRIPTION

FIG. 1 is a front, inverted view of a portable light of the present application; those elements shown in broken line are for purpose of illustrating environment only and form no part of the claimed design;

FIG. 2 is a perspective view of the portable light;

FIG. 3 is a rear view of the portable light;

FIG. 4 is a right side view of the portable light;

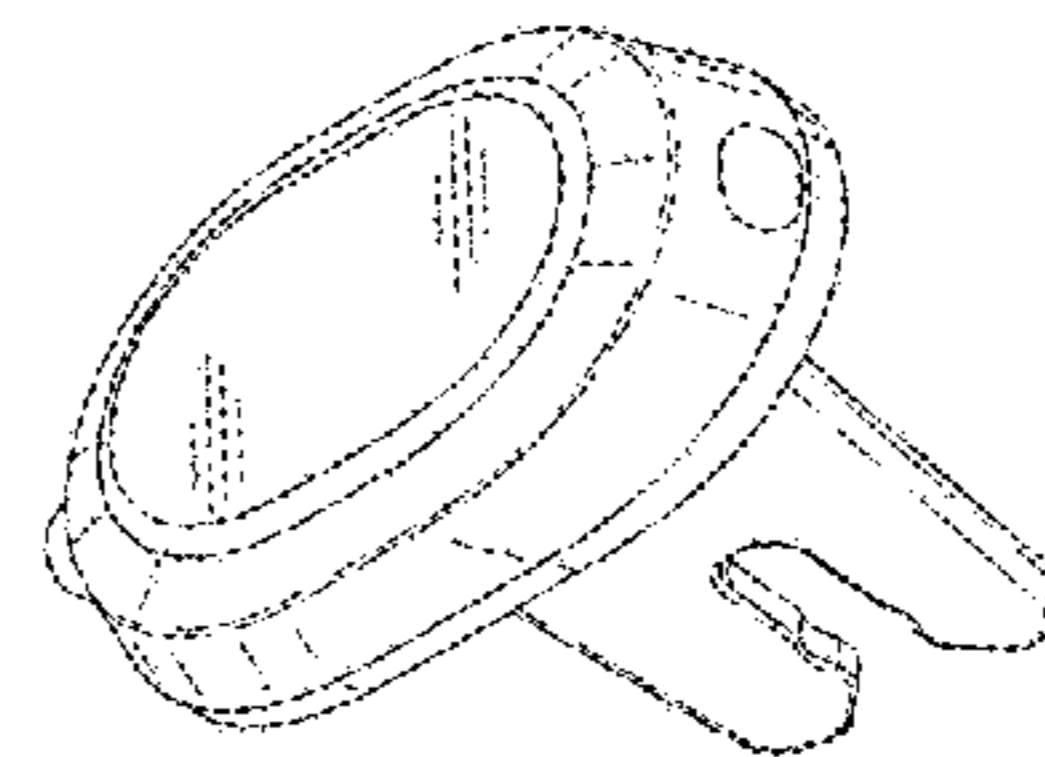
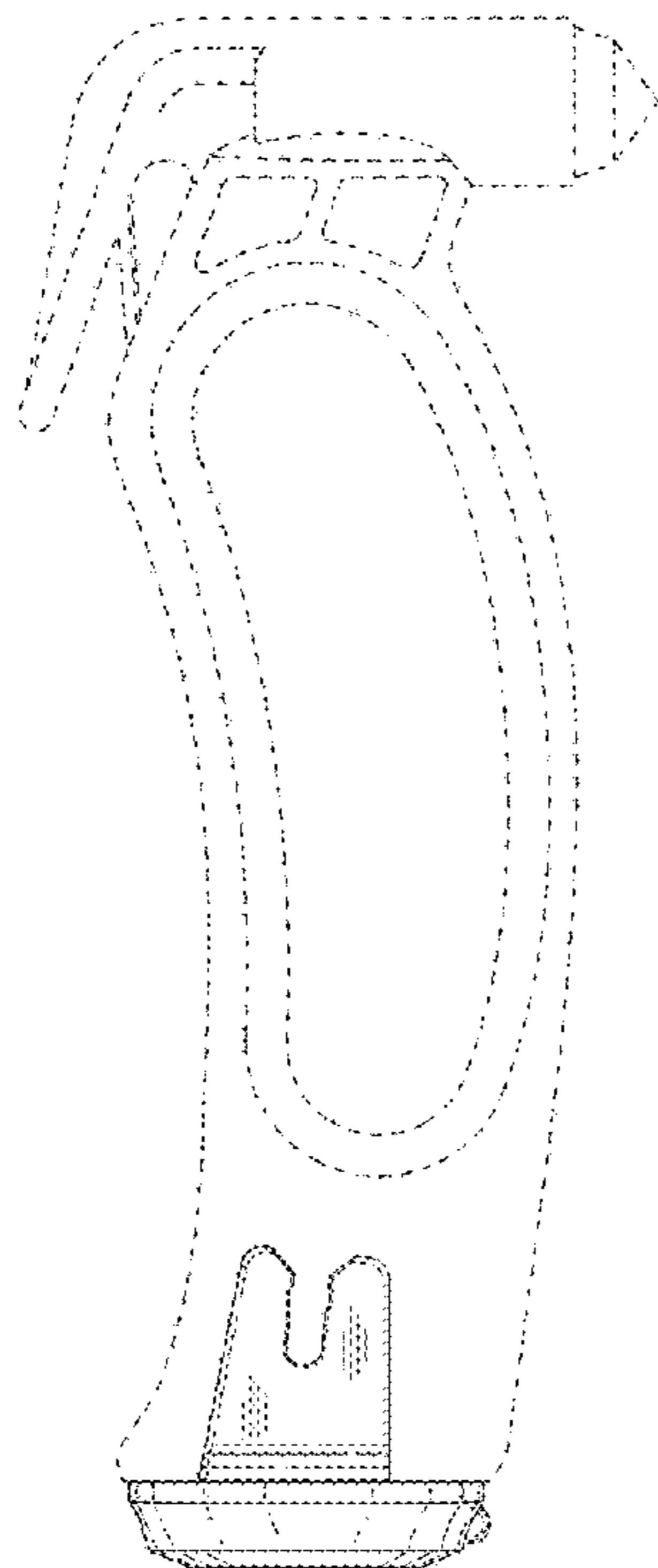
FIG. 5 is a left side view of the portable light;

FIG. 6 is a top view of the portable light; and,

FIG. 7 is a bottom view of the portable light.

In the drawings, the broken lines are for the purpose of illustrating environment only and form no part of the claimed design.

1 Claim, 2 Drawing Sheets



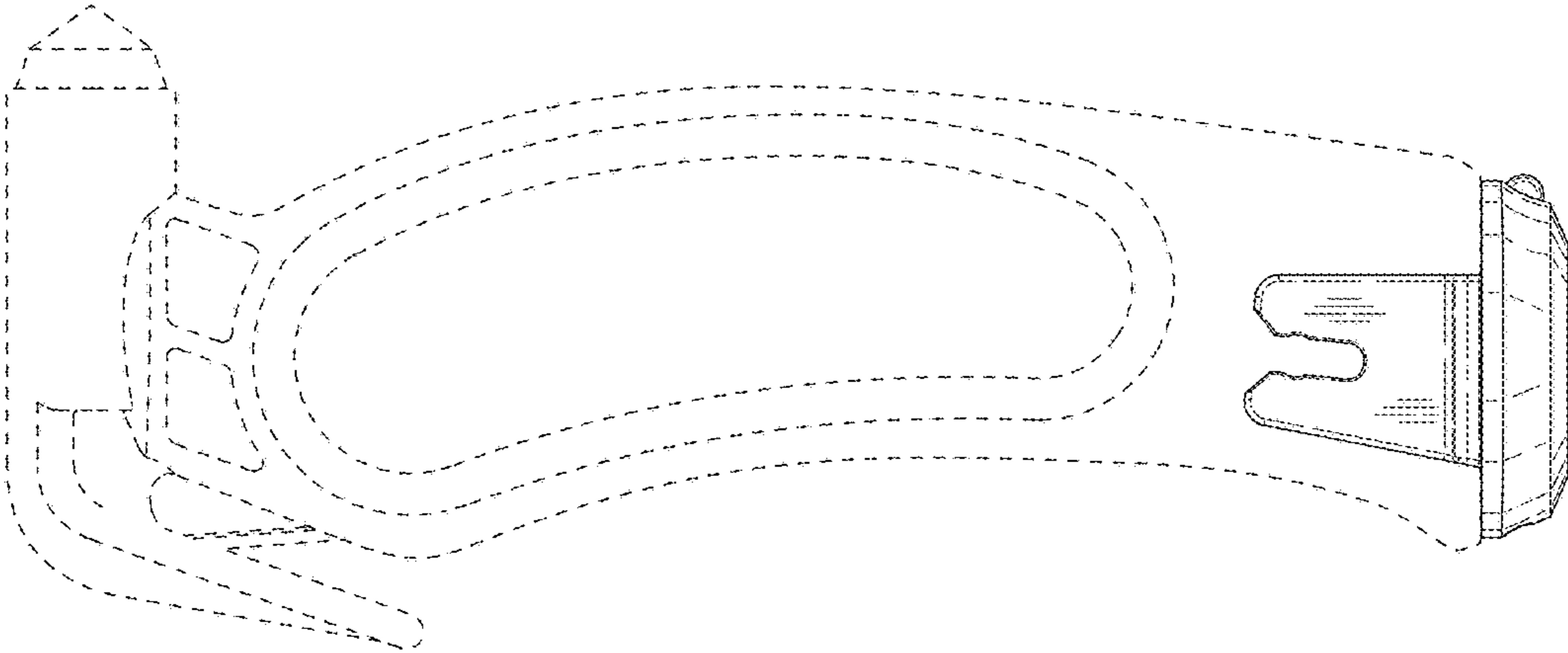


Fig. 1

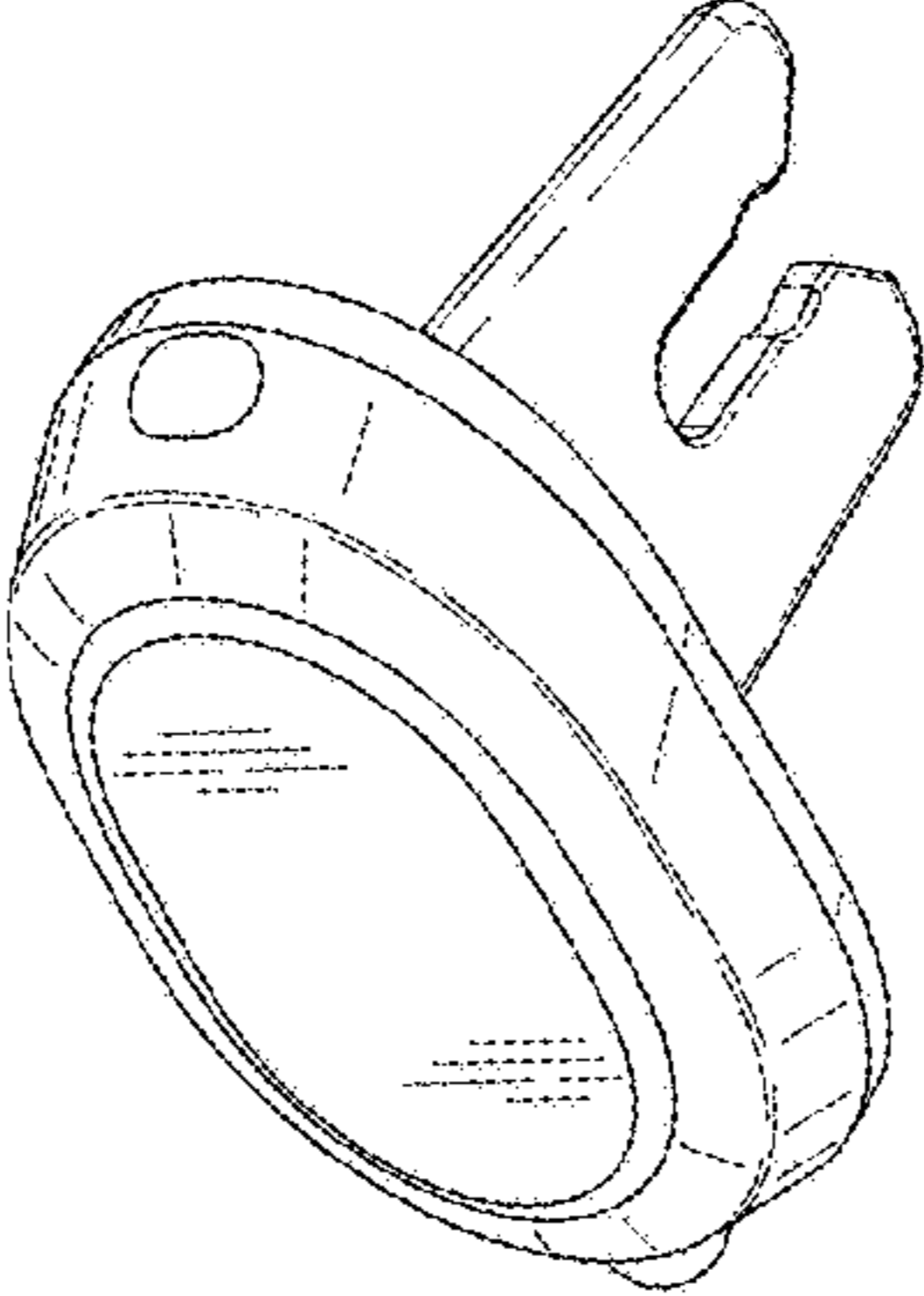


Fig. 2

Fig. 6

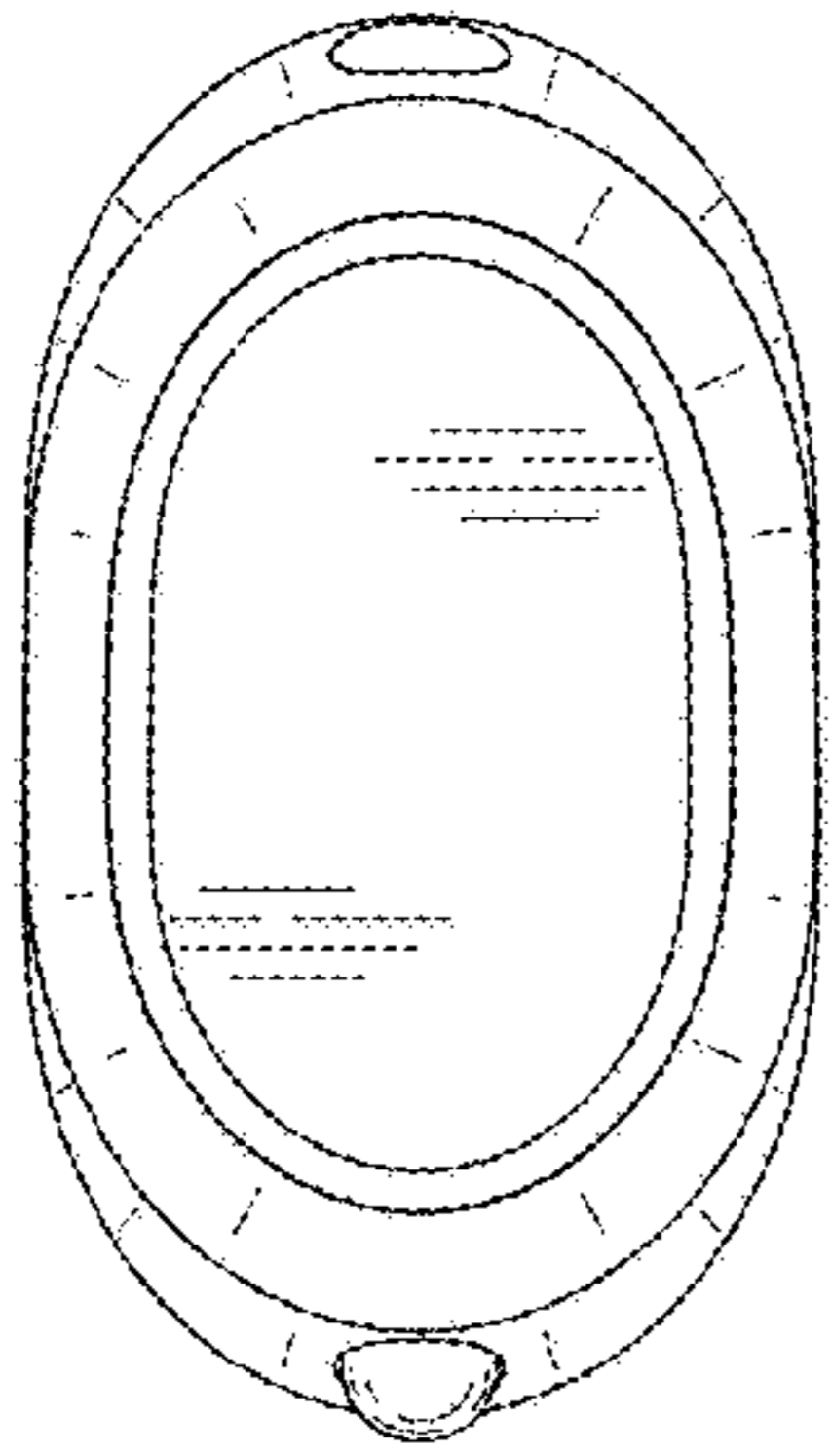


Fig. 3

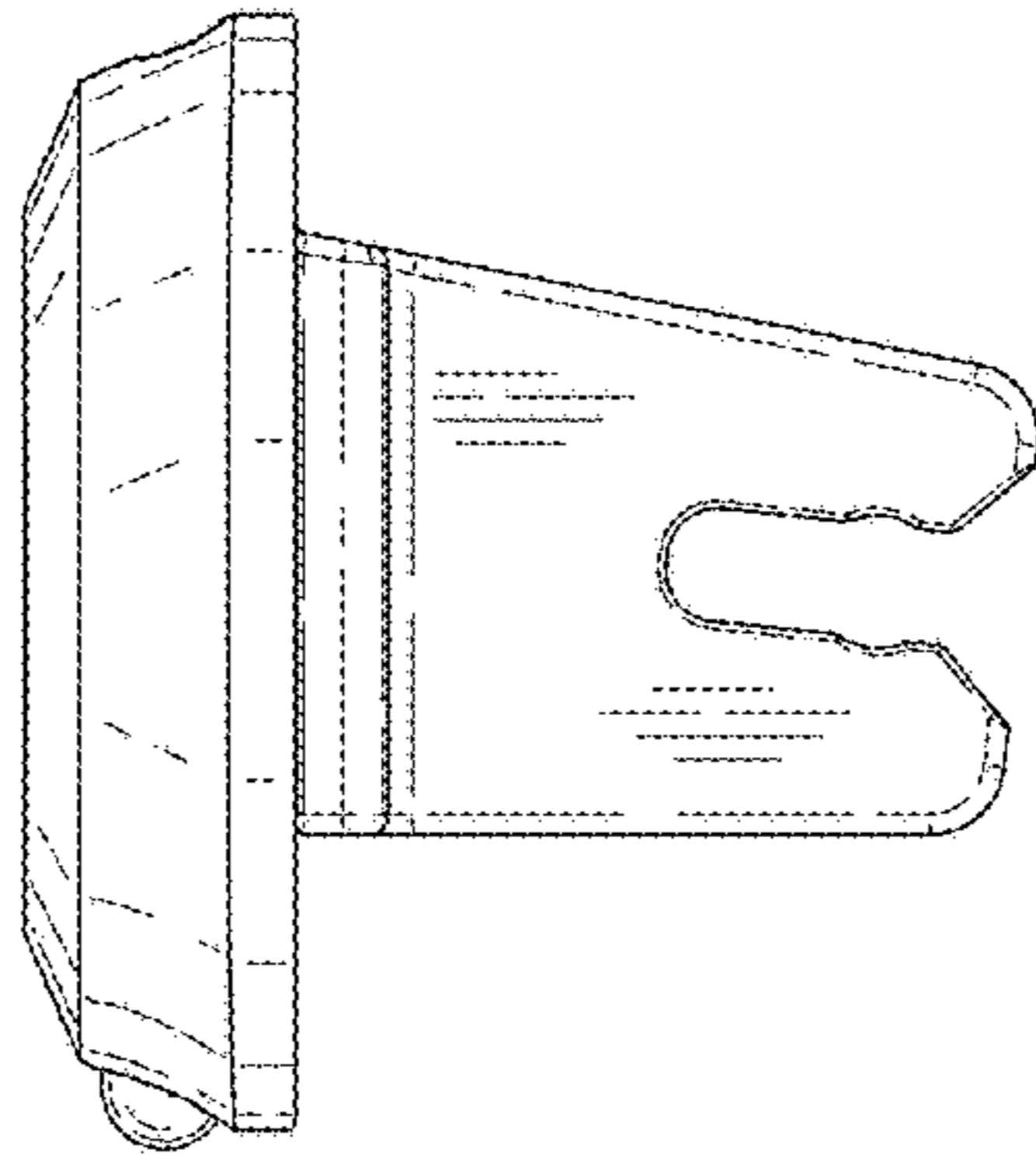


Fig. 5

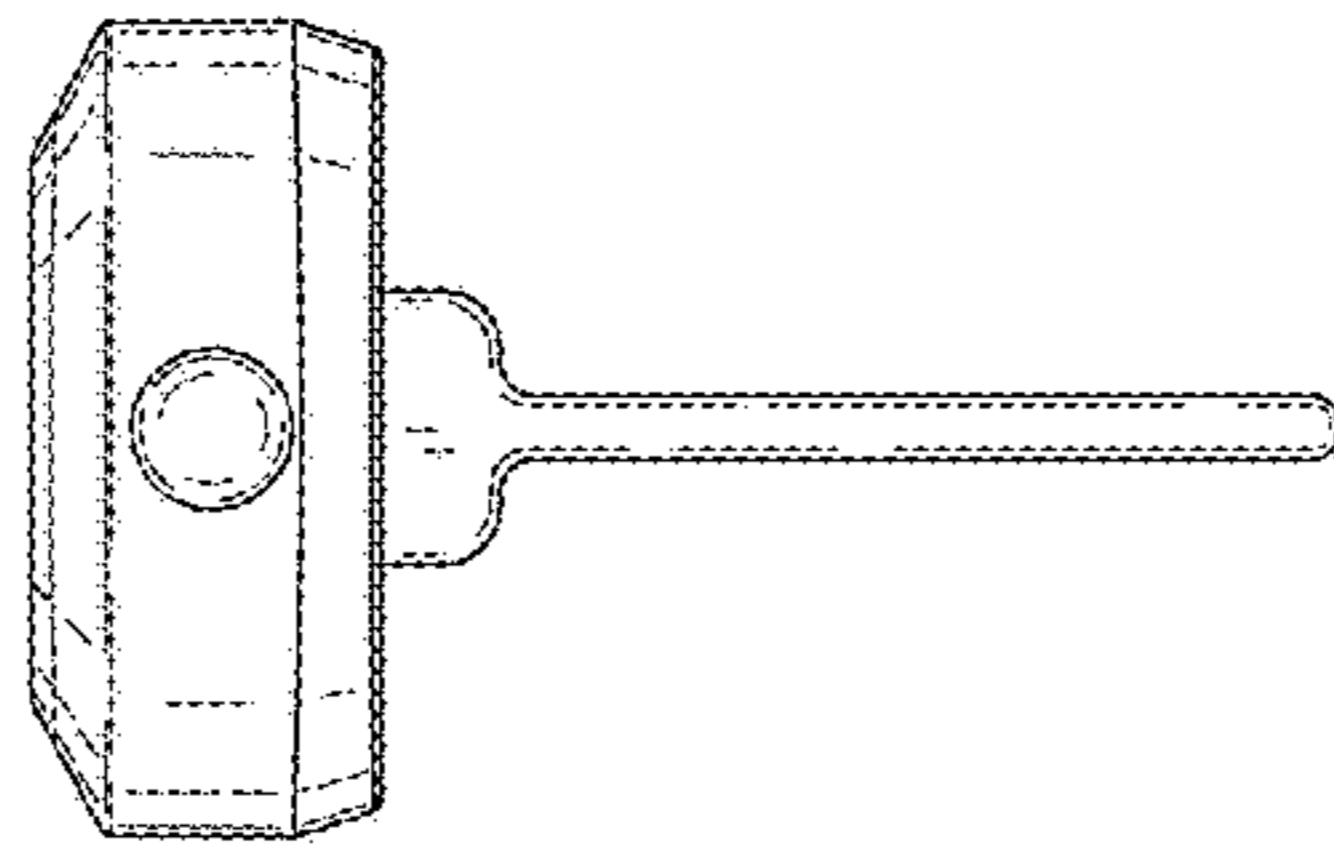


Fig. 4

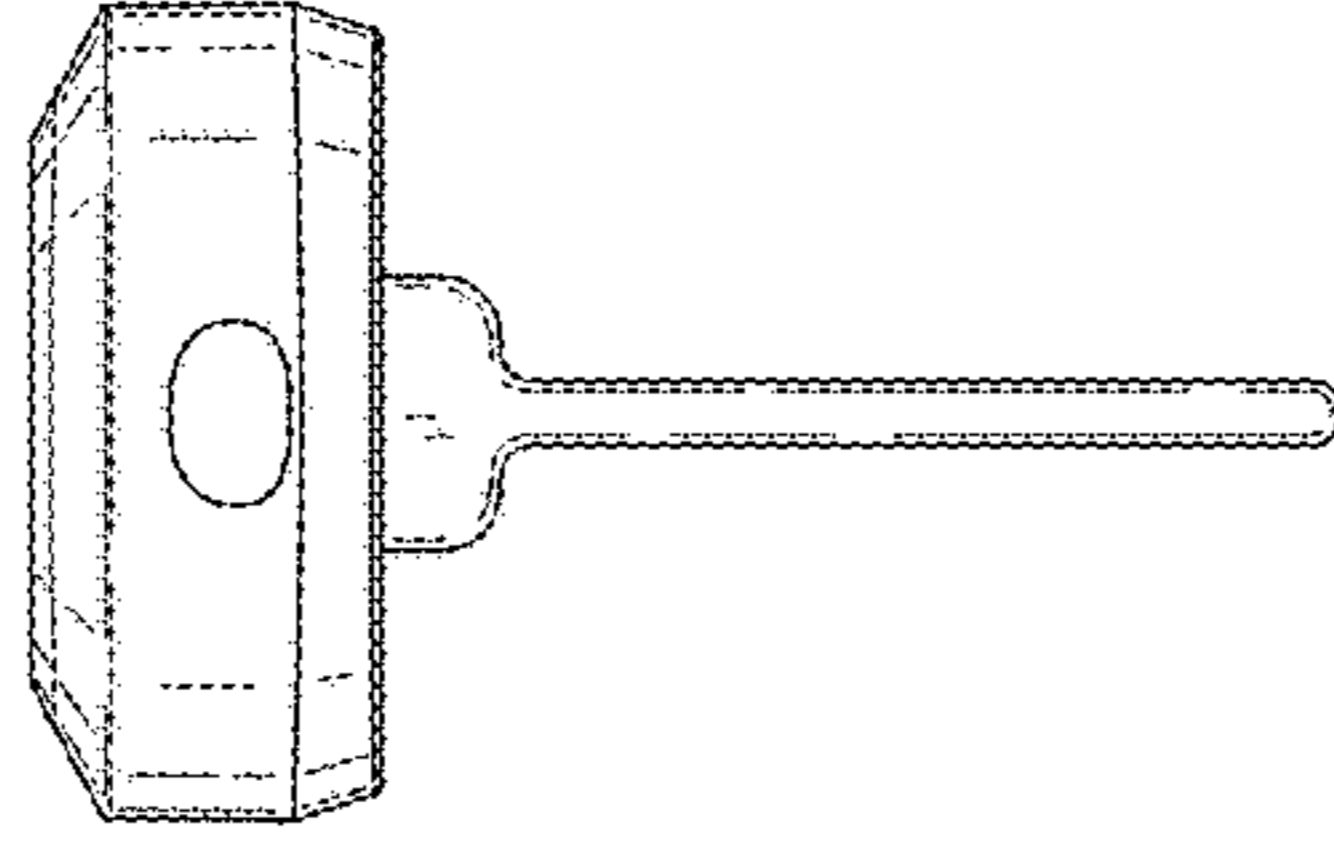


Fig. 7

