



US00D792990S

(12) **United States Design Patent** (10) **Patent No.:** **US D792,990 S**
Curic et al. (45) **Date of Patent:** **** Jul. 25, 2017**

(54) **VEHICLE HEADLAMP**
(71) Applicant: **Ford Global Technologies, LLC**,
Dearborn, MI (US)
(72) Inventors: **Kemal Curic**, West Bloomfield, MI
(US); **Shawn Wehrly**, Northville, MI
(US)
(73) Assignee: **Ford Global Technologies, LLC**,
Dearborn, MI (US)
(*) Notice: This patent is subject to a terminal dis-
claimer.
(**) Term: **15 Years**
(21) Appl. No.: **29/505,623**
(22) Filed: **Dec. 23, 2015**
(51) **LOC (10) Cl.** **26-07**
(52) **U.S. Cl.**
USPC **D26/28**
(58) **Field of Classification Search**
USPC D26/28-36; 362/459-468, 475-478,
362/485-487
CPC F21S 48/00; F21S 48/10; F21S 48/115;
F21S 48/225; F21S 48/1233; F21S
48/1266; F21S 48/1388; F21S 48/2268;
F21V 21/04
See application file for complete search history.

(56) **References Cited**
U.S. PATENT DOCUMENTS
D580,571 S * 11/2008 Gotschke D26/28
D606,214 S * 12/2009 Lamm D26/28

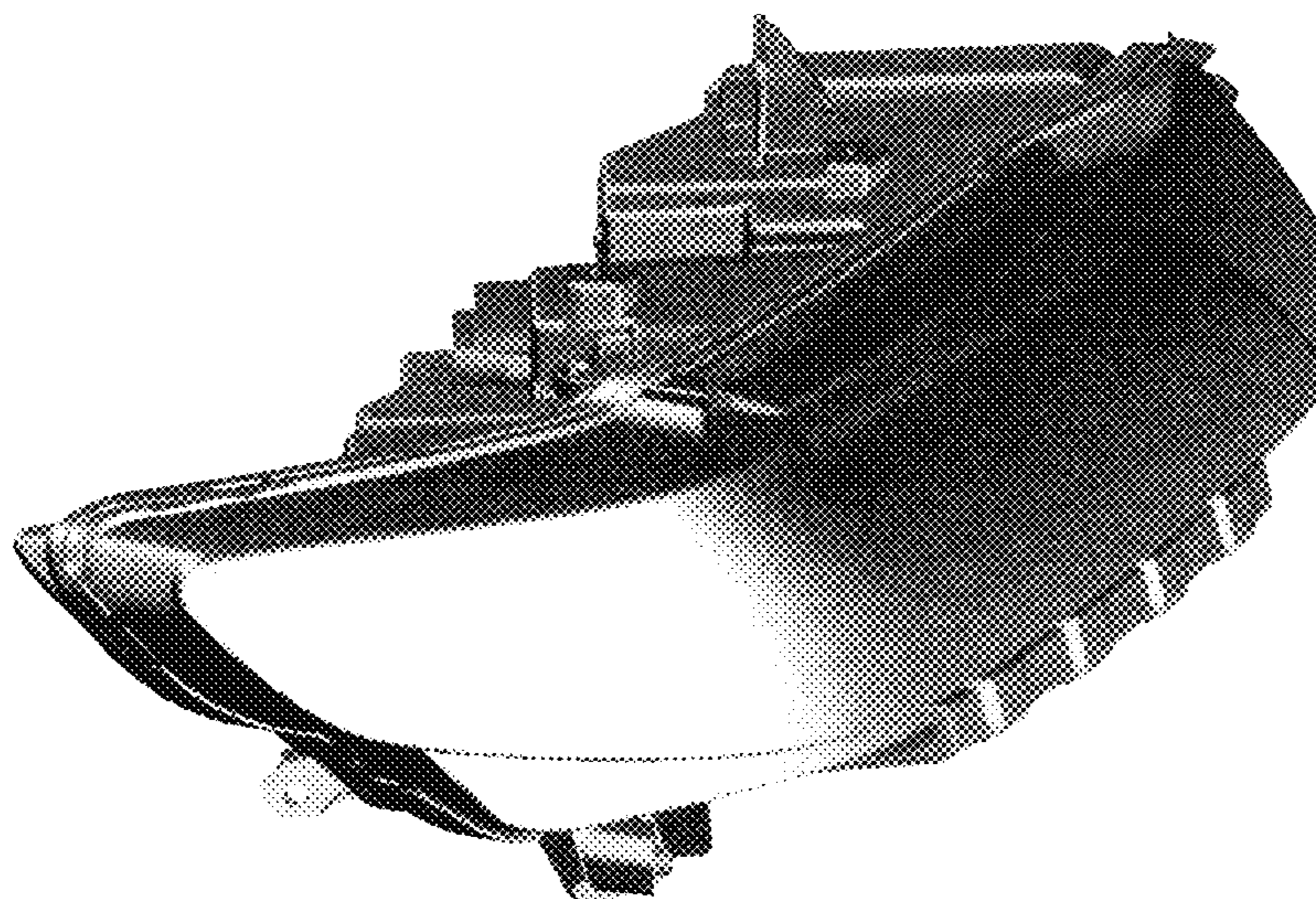
D721,836 S * 1/2015 Gotschke D26/28
D730,552 S * 5/2015 George D26/28
D735,914 S * 8/2015 Gotschke D26/28
D740,980 S * 10/2015 Park D26/28
D751,740 S * 3/2016 Wolff D26/28
D753,323 S * 4/2016 George D26/28
D754,892 S * 4/2016 Hatton D26/28
D760,933 S * 7/2016 Keskin D26/28
D761,980 S * 7/2016 Keskin D26/28

* cited by examiner
Primary Examiner — Angela J Lee
(74) *Attorney, Agent, or Firm* — Damian Porcari; Buris
Law, PLLC

(57) **CLAIM**
The ornamental design for a vehicle headlamp, as shown and
described.

DESCRIPTION
FIG. 1 is a top front perspective view of a right vehicle
headlamp. The novel design also includes an embodiment of
a left vehicle headlamp which is mirror symmetrical to the
embodiment of FIGS. 1-9, and is therefore not separately
illustrated.
FIG. 2 is a bottom front perspective view thereof;
FIG. 3 is a top rear perspective view thereof;
FIG. 4 is a front elevational view thereof;
FIG. 5 is a rear elevational view thereof;
FIG. 6 is a left side elevational view thereof;
FIG. 7 is a right side elevational view thereof;
FIG. 8 is a top plan view thereof; and,
FIG. 9 is a bottom plan view thereof.

1 Claim, 9 Drawing Sheets



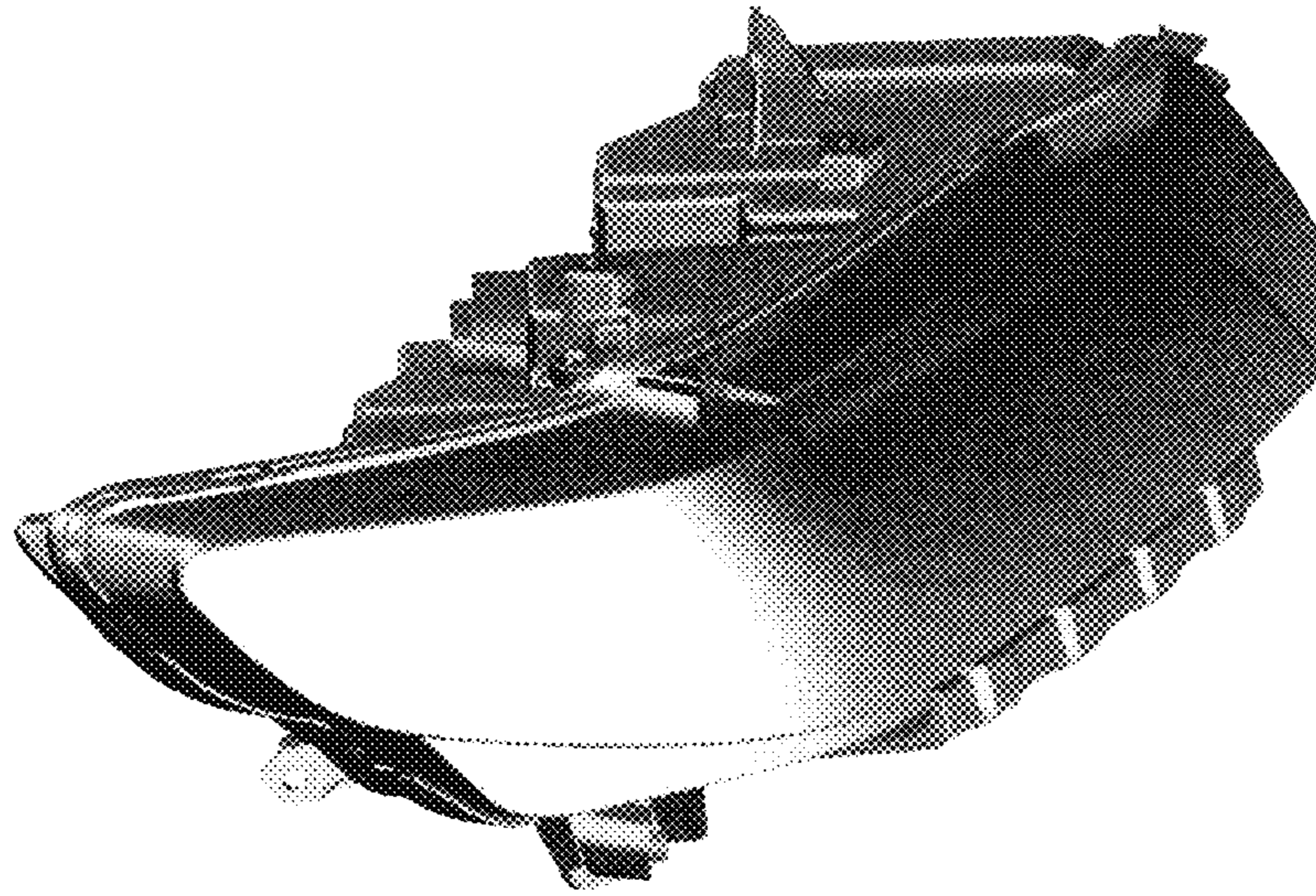


Figure 1

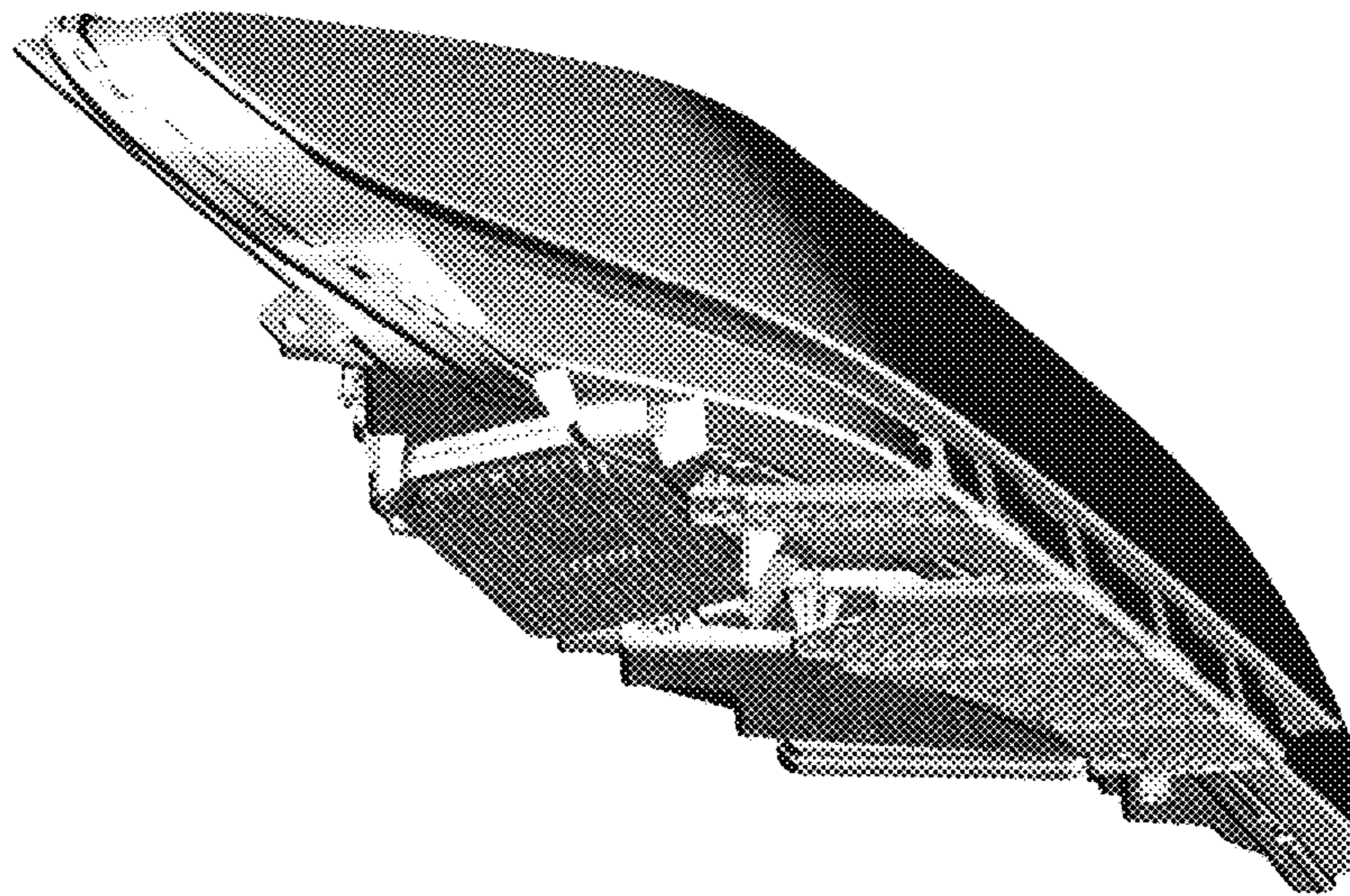


Figure 2

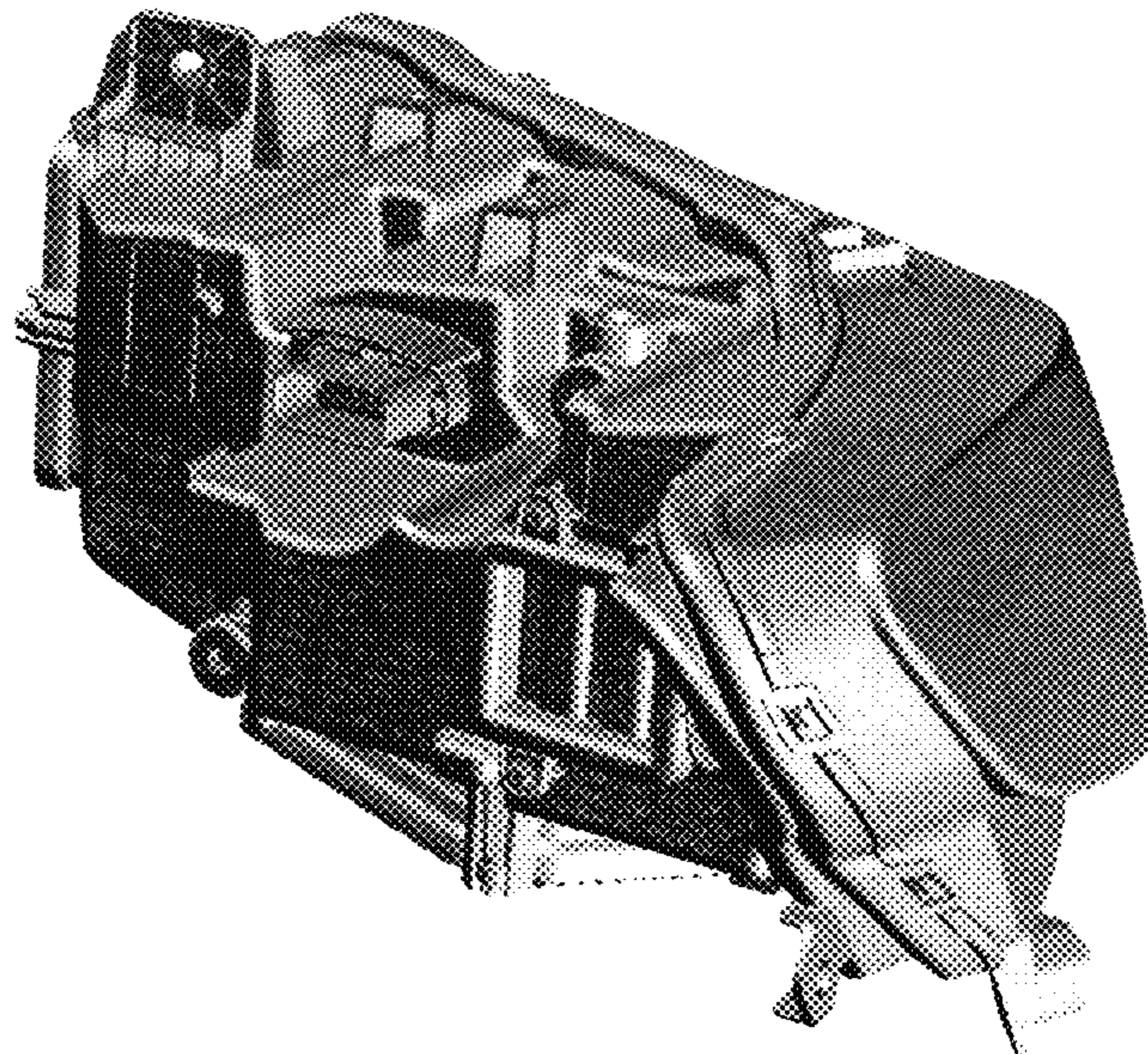


Figure 3

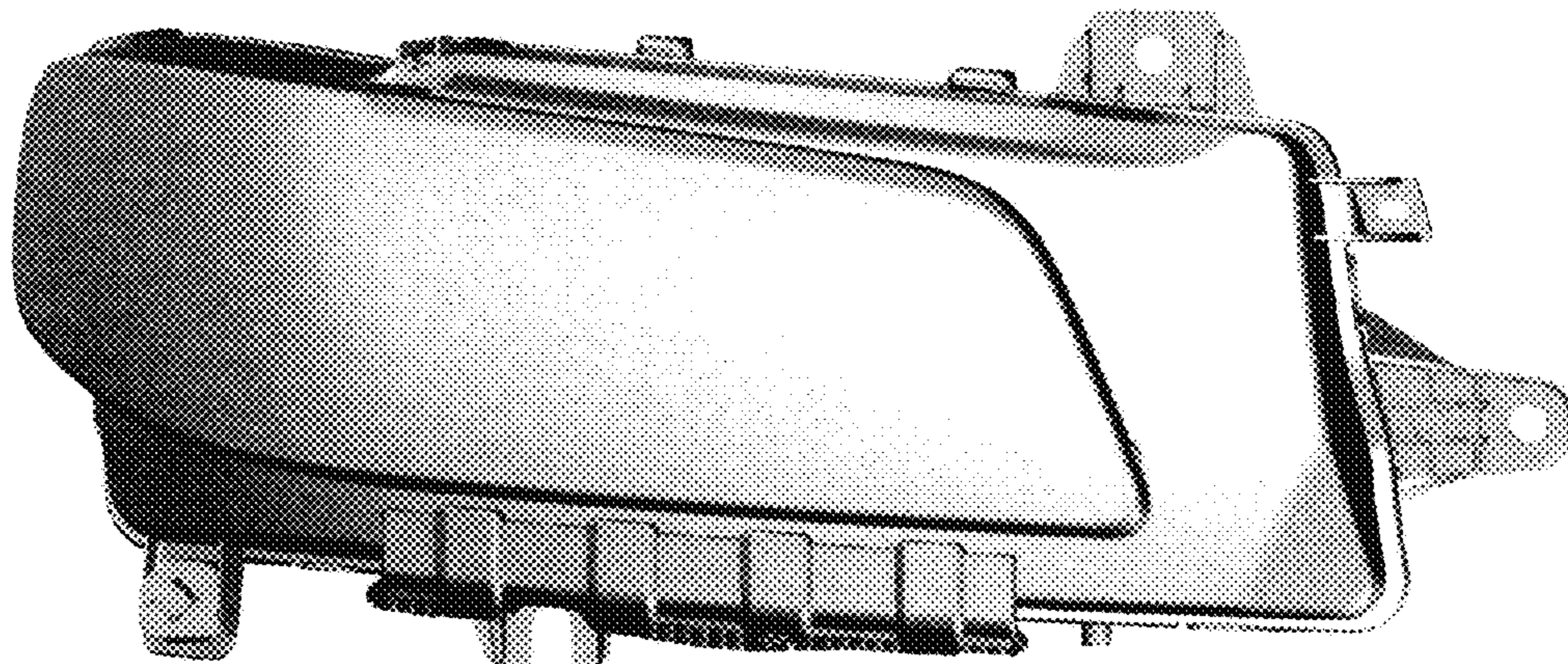


Figure 4

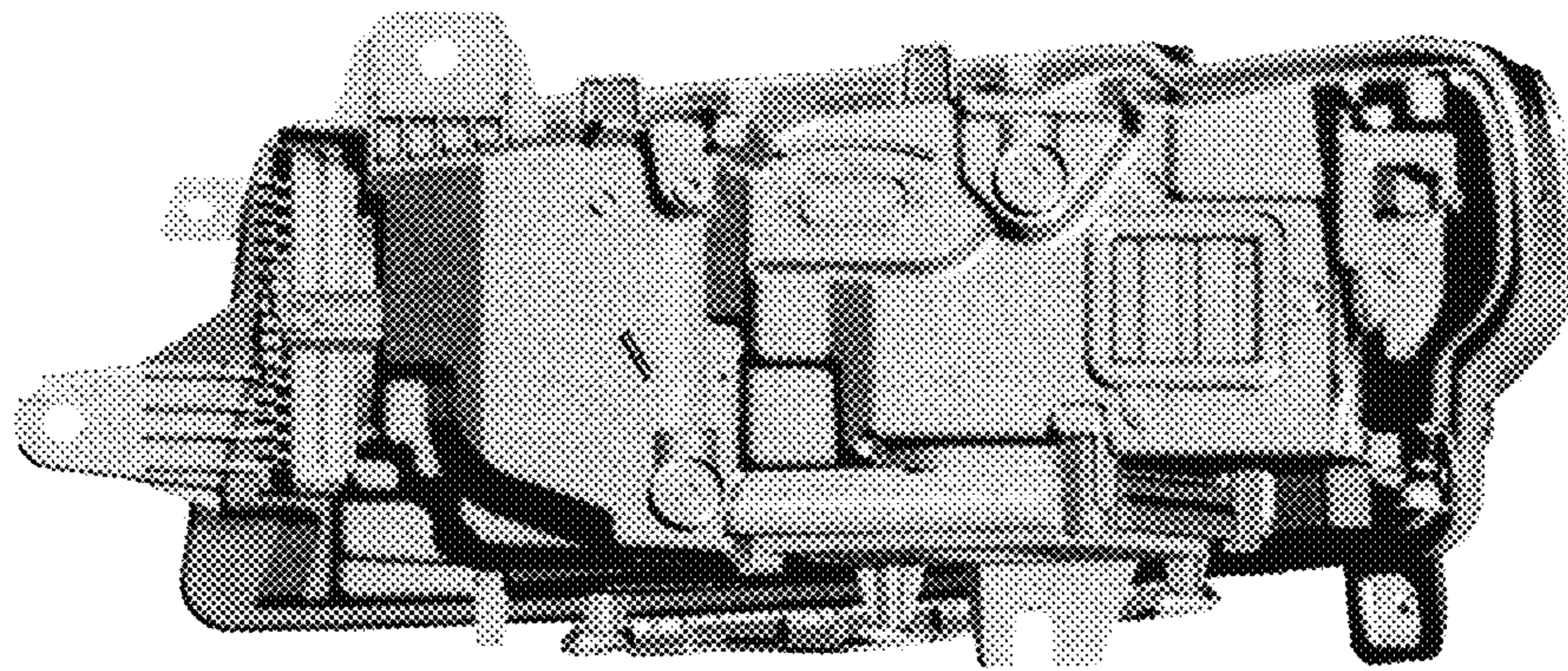


Figure 5

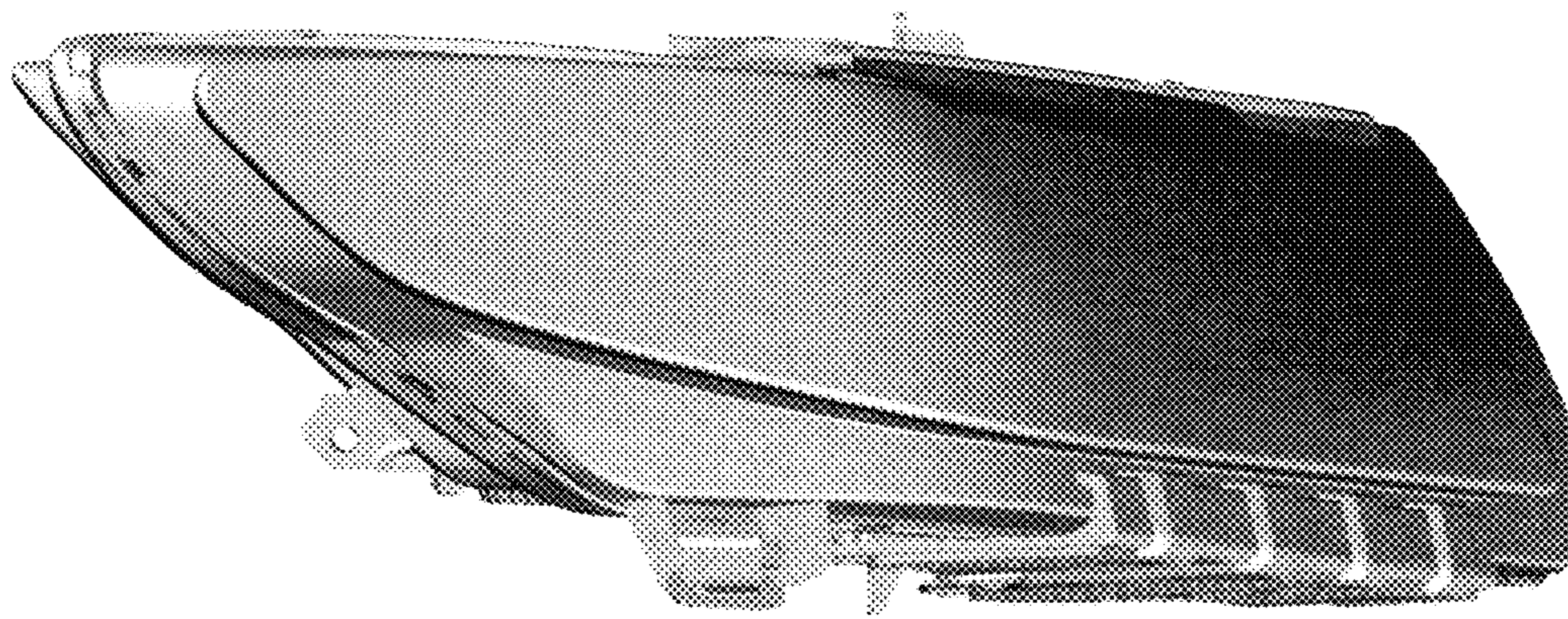


Figure 6

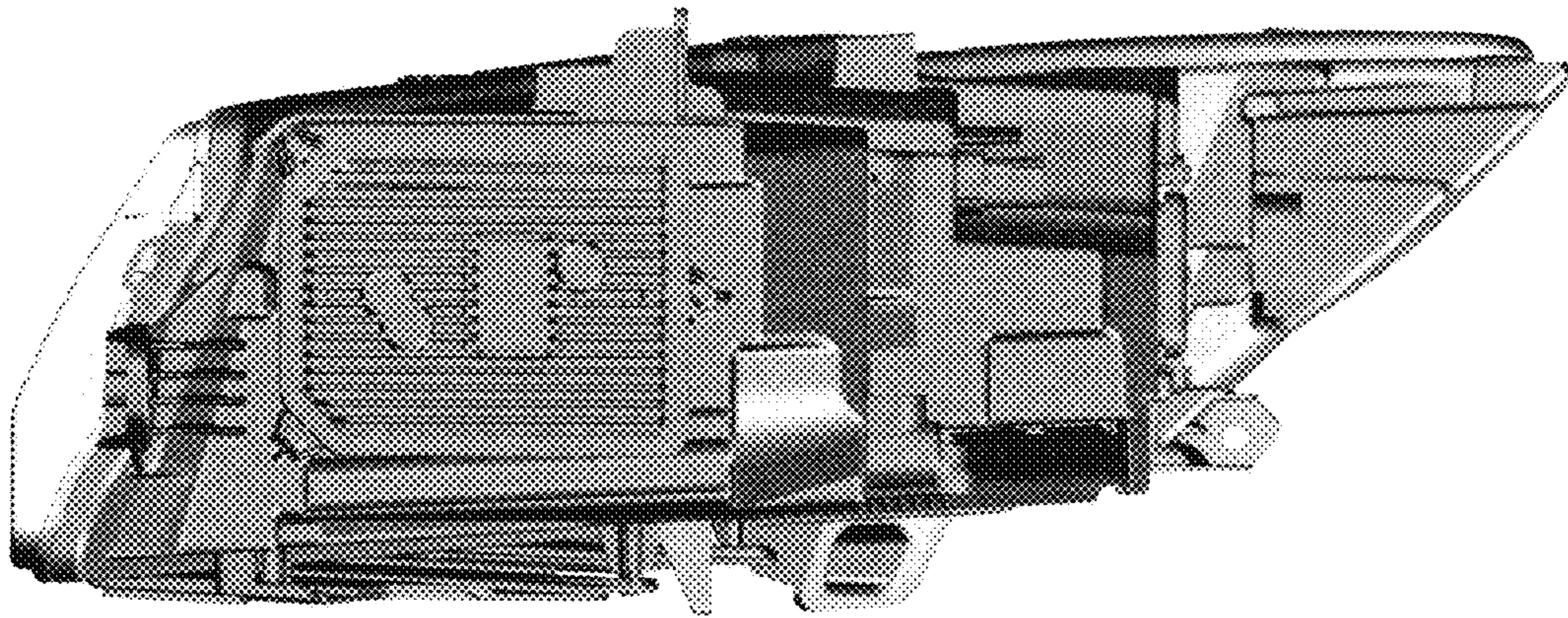


Figure 7

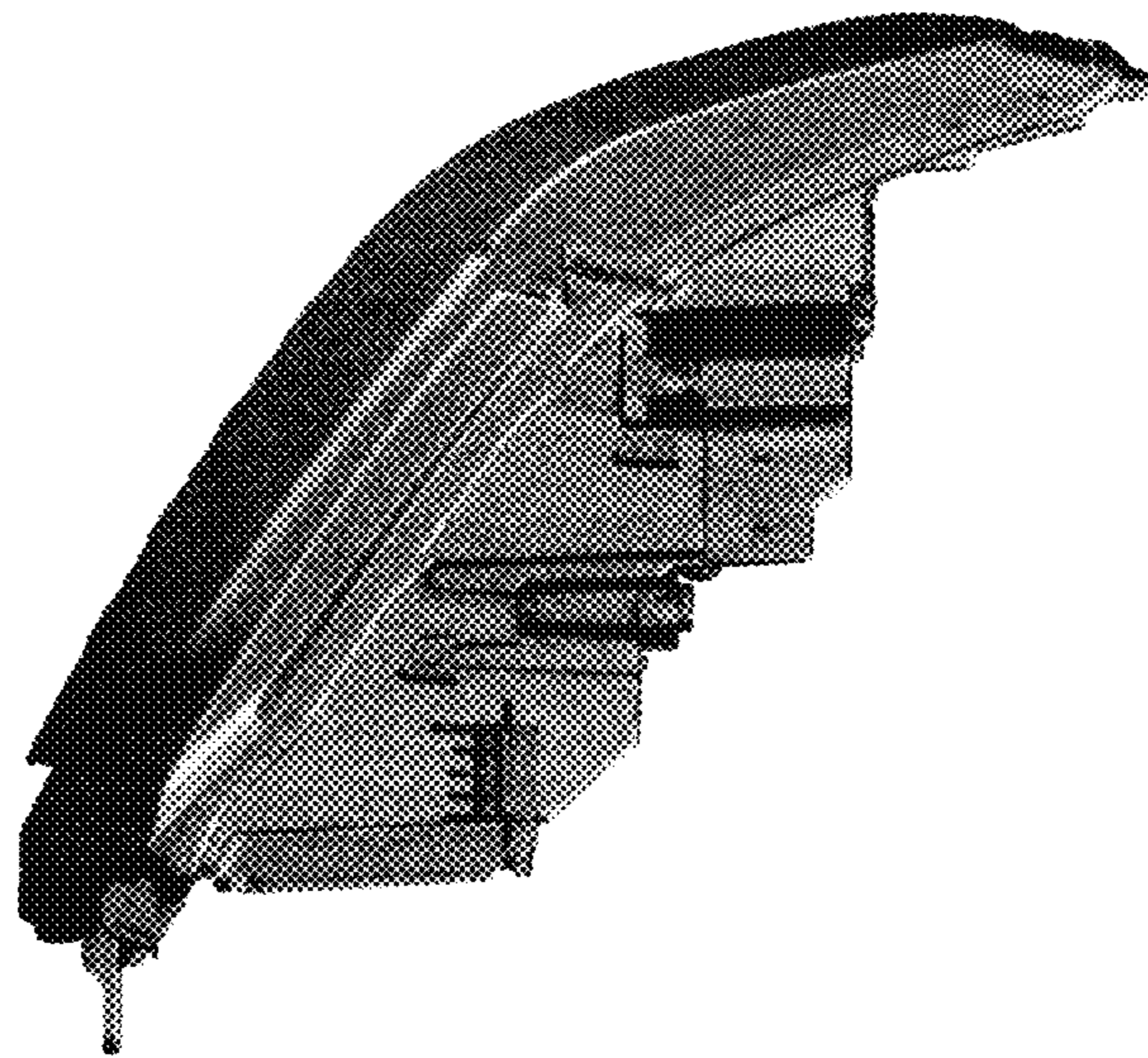


Figure 8

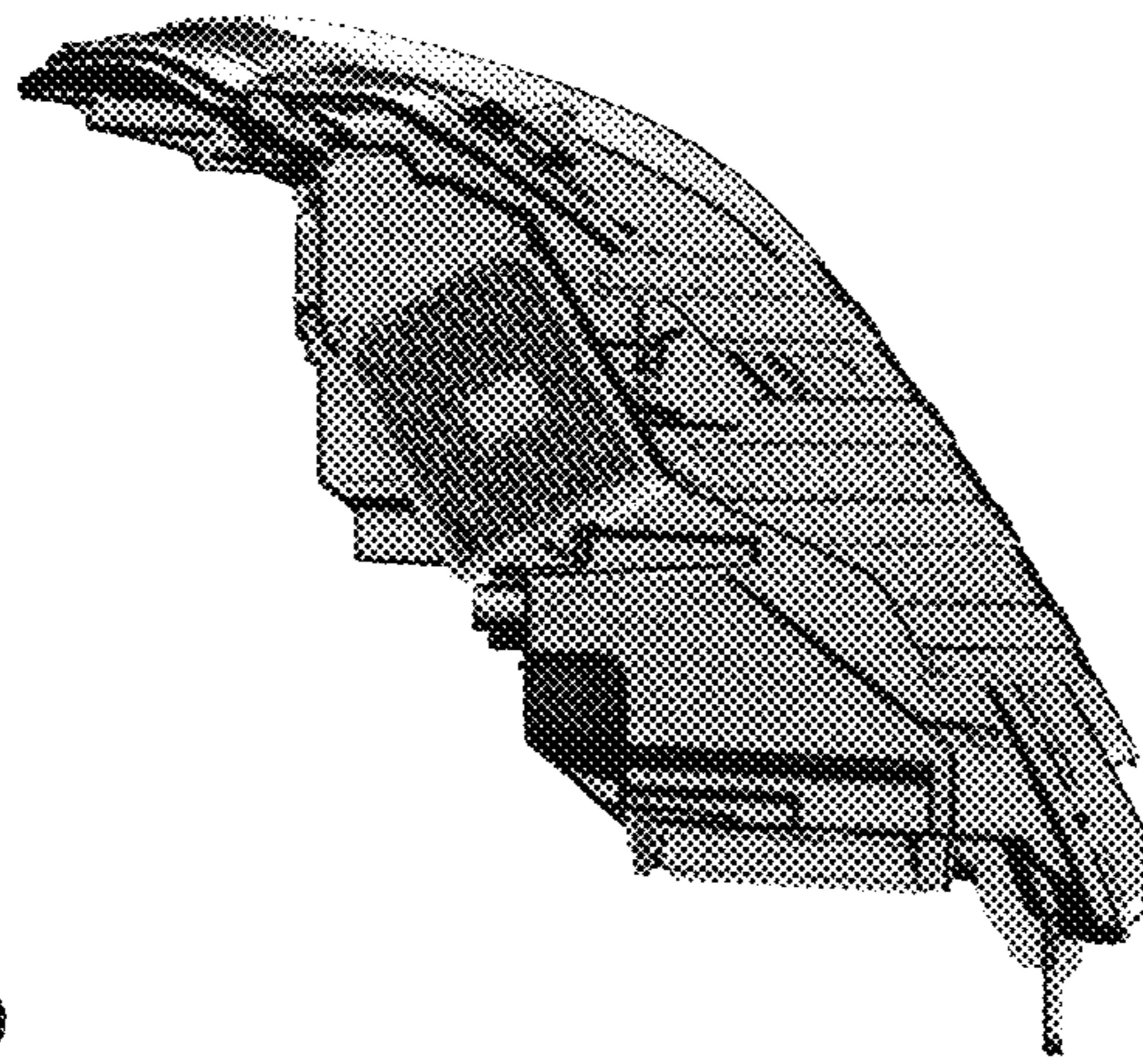


Figure 9