



US00D792989S

(12) **United States Design Patent**
Han et al.

(10) **Patent No.:** **US D792,989 S**

(45) **Date of Patent:** **** *Jul. 25, 2017**

(54) **REAR COMBINATION LAMP FOR
AUTOMOBILE**

(71) Applicant: **Kia Motors Corporation**, Seoul (KR)

(72) Inventors: **Jae Do Han**, Gyeonggi-Do (KR); **Seo Hee Ahn**, Gyeonggi-Do (KR)

(73) Assignee: **Kia Motors Corporation**, Seoul (KR)

(*) Notice: This patent is subject to a terminal disclaimer.

(**) Term: **14 Years**

(21) Appl. No.: **29/474,301**

(22) Filed: **Aug. 5, 2014**

(30) **Foreign Application Priority Data**

Mar. 25, 2014 (KR) 30-2014-0014855

(51) **LOC (10) Cl.** **26-06**

(52) **U.S. Cl.**
USPC **D26/28**

(58) **Field of Classification Search**
USPC D26/28-36; 362/459-468, 475-478, 485,
362/486, 487
CPC B60Q 1/02; B60Q 1/04
See application file for complete search history.

(56) **References Cited**

U.S. PATENT DOCUMENTS

D637,743 S * 5/2011 Cho D26/28
D656,637 S * 3/2012 Choo D26/28
D703,350 S * 4/2014 Kim D26/28
D705,963 S * 5/2014 Sa D26/28
D706,964 S * 6/2014 Park D26/28
D708,374 S * 7/2014 Hirabayashi D26/28

D710,524 S * 8/2014 Hirabayashi D26/28
D720,871 S * 1/2015 Lim D26/28
D720,873 S * 1/2015 Lim D26/28
D727,547 S * 4/2015 Ha D26/28
D737,480 S * 8/2015 Park D26/28
D738,549 S * 9/2015 Gotschke D26/28

* cited by examiner

Primary Examiner — Lakiya Rogers

Assistant Examiner — Harold E Blackwell, II

(74) *Attorney, Agent, or Firm* — Mintz Levin Cohn Ferris
Glovsky and Popeo, P.C.; Kingsik Kim; Carolina Säve

(57) **CLAIM**

The ornamental design for a rear combination lamp for automobile, as shown and described.

DESCRIPTION

FIG. 1 is a perspective view of a rear combination lamp for automobile according to the present invention.

FIG. 2 is a front view of the rear combination lamp for automobile of FIG. 1.

FIG. 3 is a rear view of the rear combination lamp for automobile of FIG. 1.

FIG. 4 is a left side view of the rear combination lamp for automobile of FIG. 1.

FIG. 5 is a right side view of the rear combination lamp for automobile of FIG. 1.

FIG. 6 is a top view of the rear combination lamp for automobile of FIG. 1; and,

FIG. 7 is a bottom view of the rear combination lamp for automobile of FIG. 1.

The portions of the rear combination lamp for automobile in white encased in coarse broken lines forms no part of the claimed design.

1 Claim, 7 Drawing Sheets



FIG. 1



FIG. 2

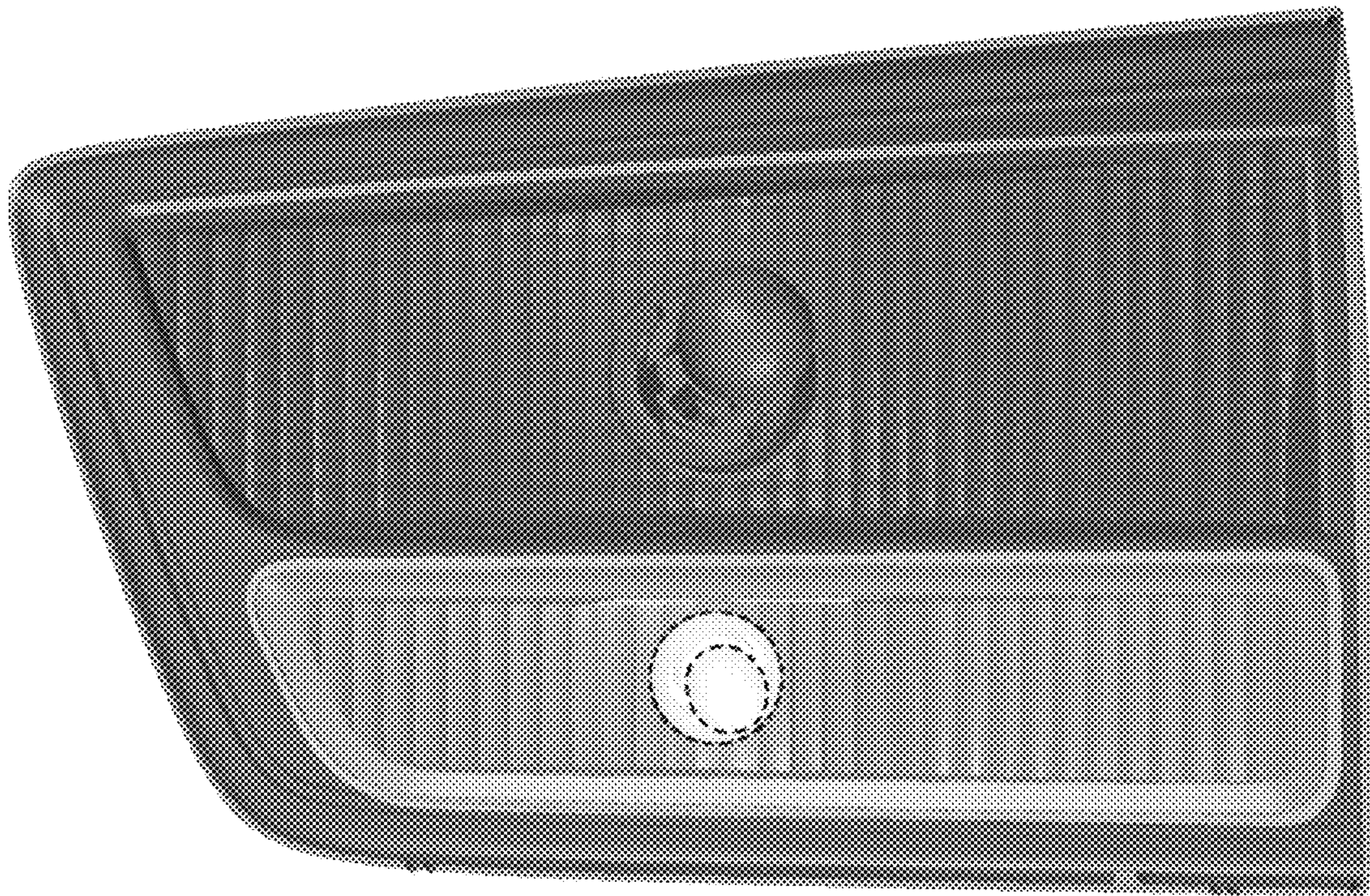


FIG. 3

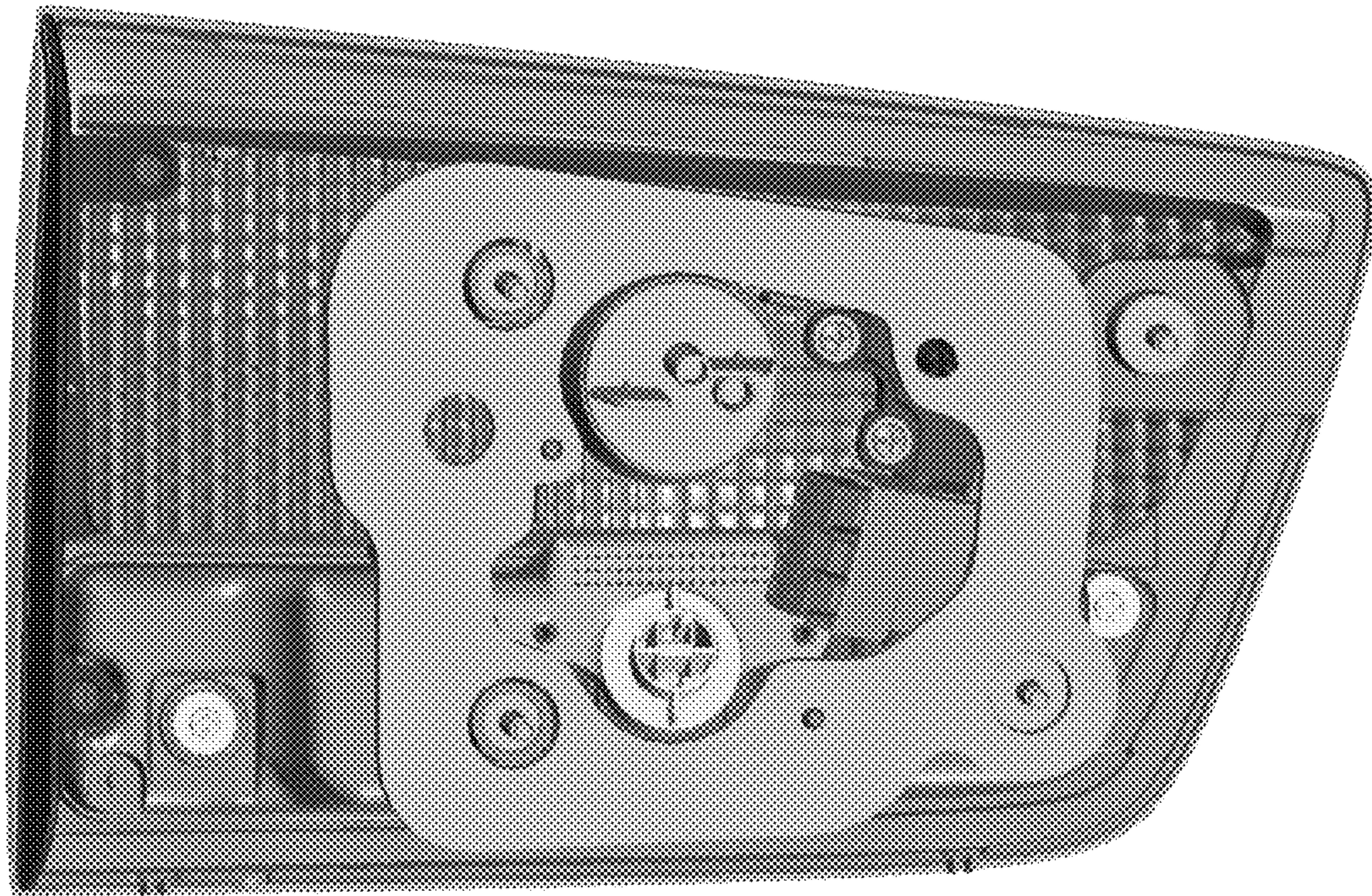


FIG. 4

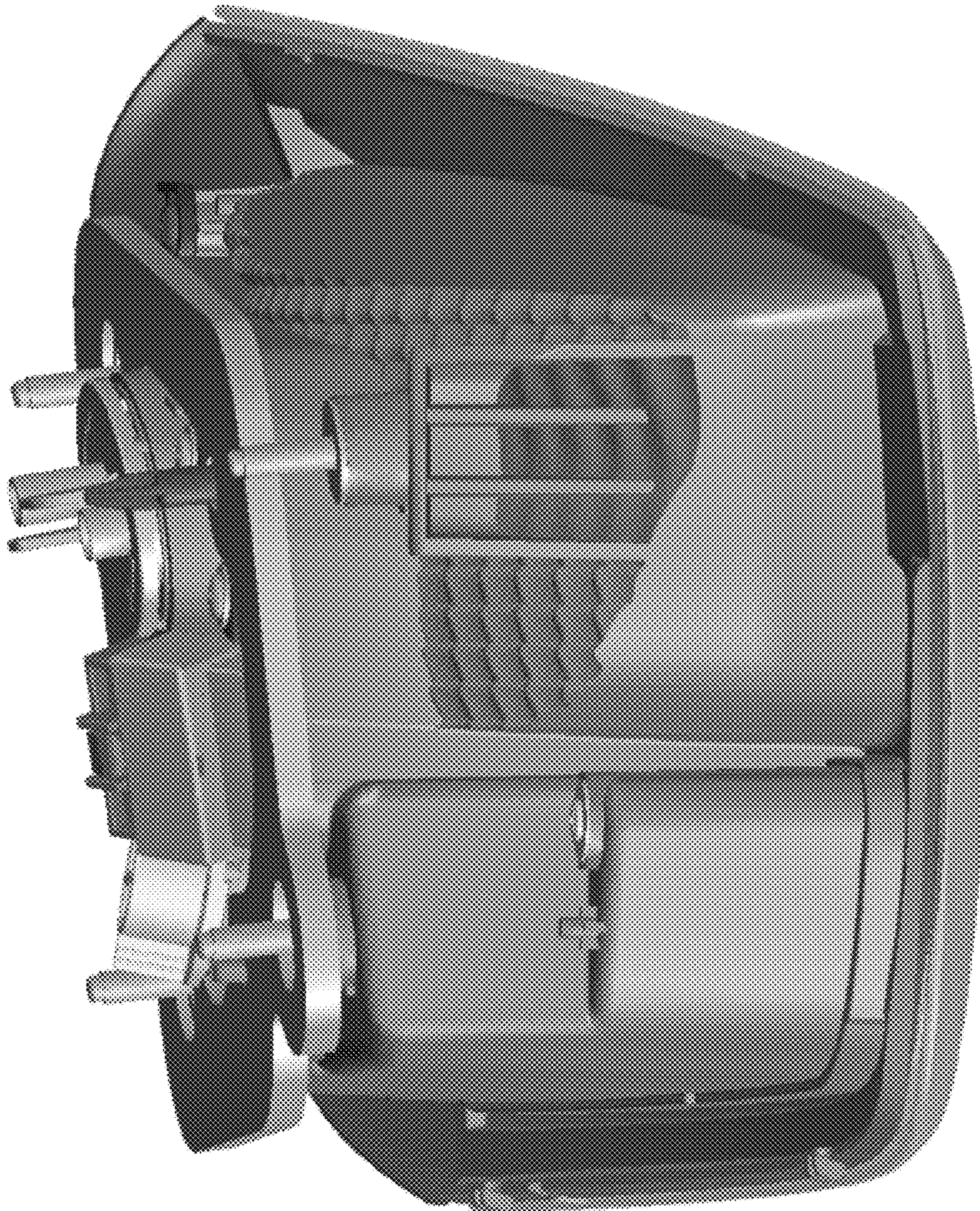


FIG. 5

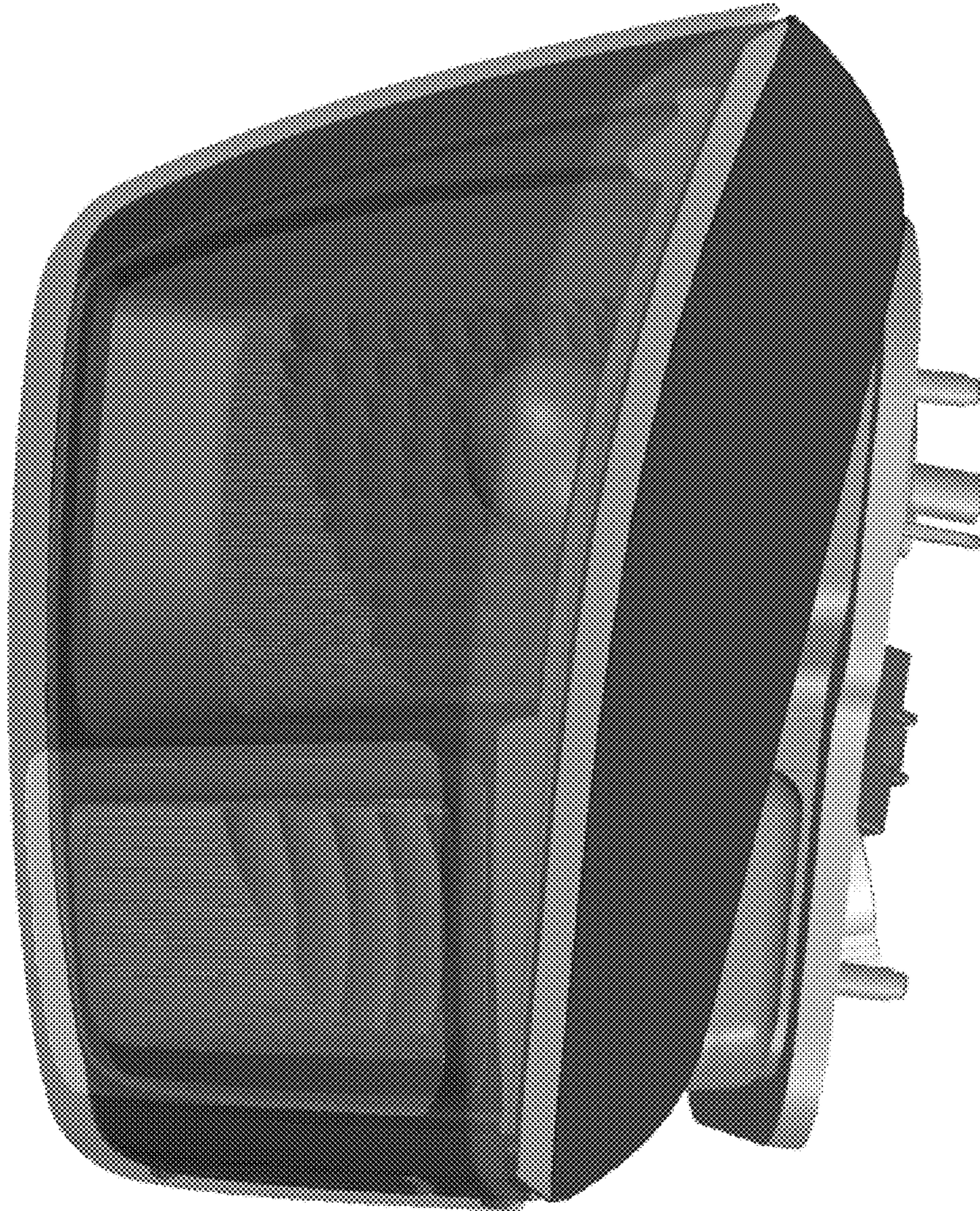


FIG. 6

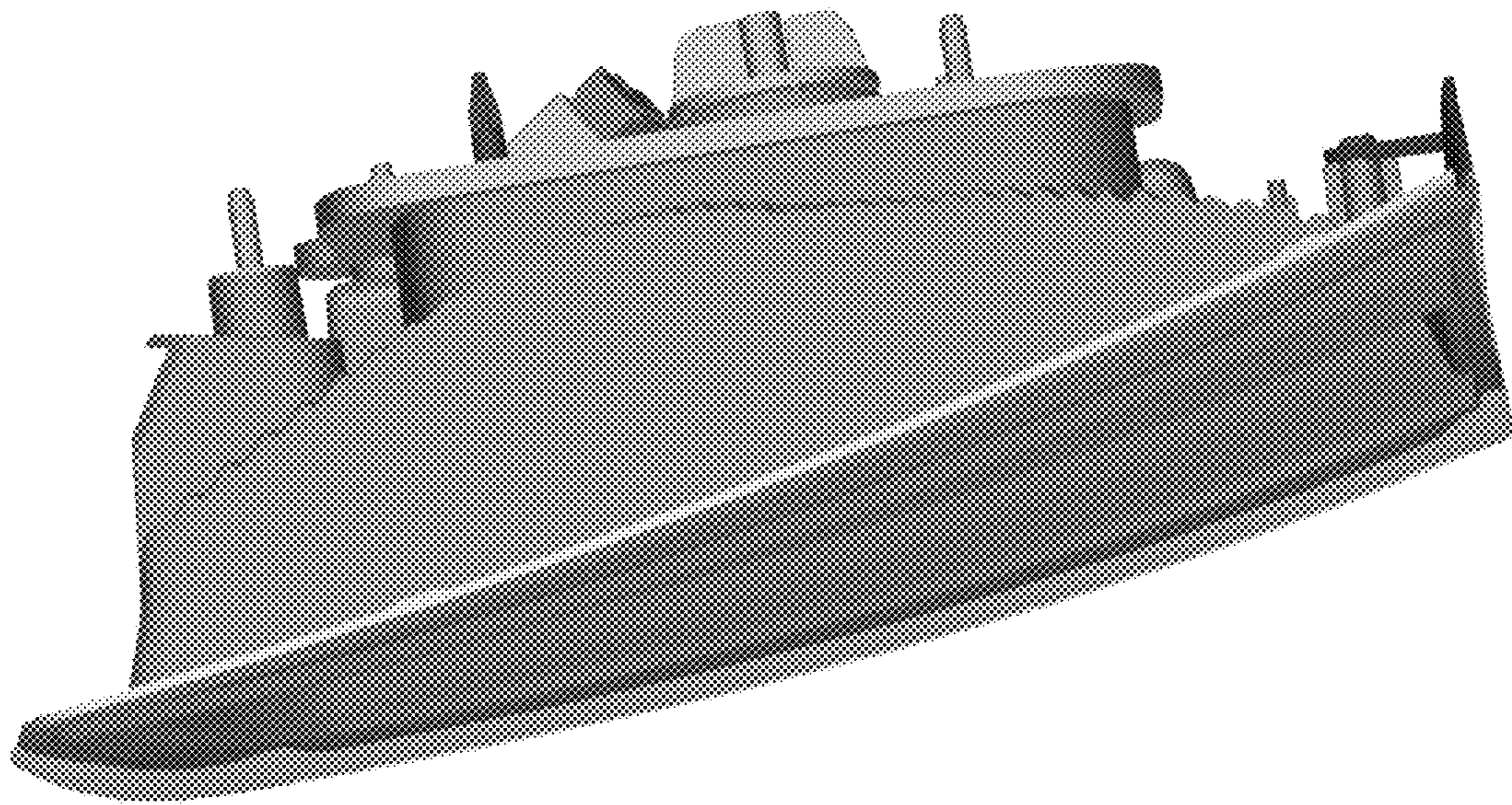


FIG. 7

