



US00D792988S

(12) **United States Design Patent**
Zhou

(10) **Patent No.:** **US D792,988 S**
(45) **Date of Patent:** **** Jul. 25, 2017**

(54) **LED MINING LAMP**

(71) Applicant: **Peng Zhou**, Shenzhen (CN)

(72) Inventor: **Peng Zhou**, Shenzhen (CN)

(**) Term: **15 Years**

(21) Appl. No.: **29/564,907**

(22) Filed: **May 17, 2016**

(30) **Foreign Application Priority Data**

Dec. 7, 2015 (CN) 2015 3 0507076

(51) **LOC (10) Cl.** **26-04**

(52) **U.S. Cl.**
USPC **D26/2**

(58) **Field of Classification Search**
USPC D26/1-4; 313/313, 315, 316, 317, 318,
313/493; 315/52, 53, 56, 57, 58
CPC H01R 5/00; H01R 13/46; H01R 13/514;
H01R 31/048; H01R 31/02; H01J 5/00;
H01J 5/16; H01J 15/00; H01J 5/48; H01J
5/50; H01J 19/54; F21V 5/00

See application file for complete search history.

(56) **References Cited**

U.S. PATENT DOCUMENTS

D660,468 S *	5/2012	Mase	D26/2
D660,469 S *	5/2012	Mase	D26/2
D667,150 S *	9/2012	Chun	D26/2
D719,684 S *	12/2014	Grajcar	D26/2
D728,834 S *	5/2015	Taylor	D26/2
D732,211 S *	6/2015	Cho	D26/2

* cited by examiner

Primary Examiner — Marcus Jackson

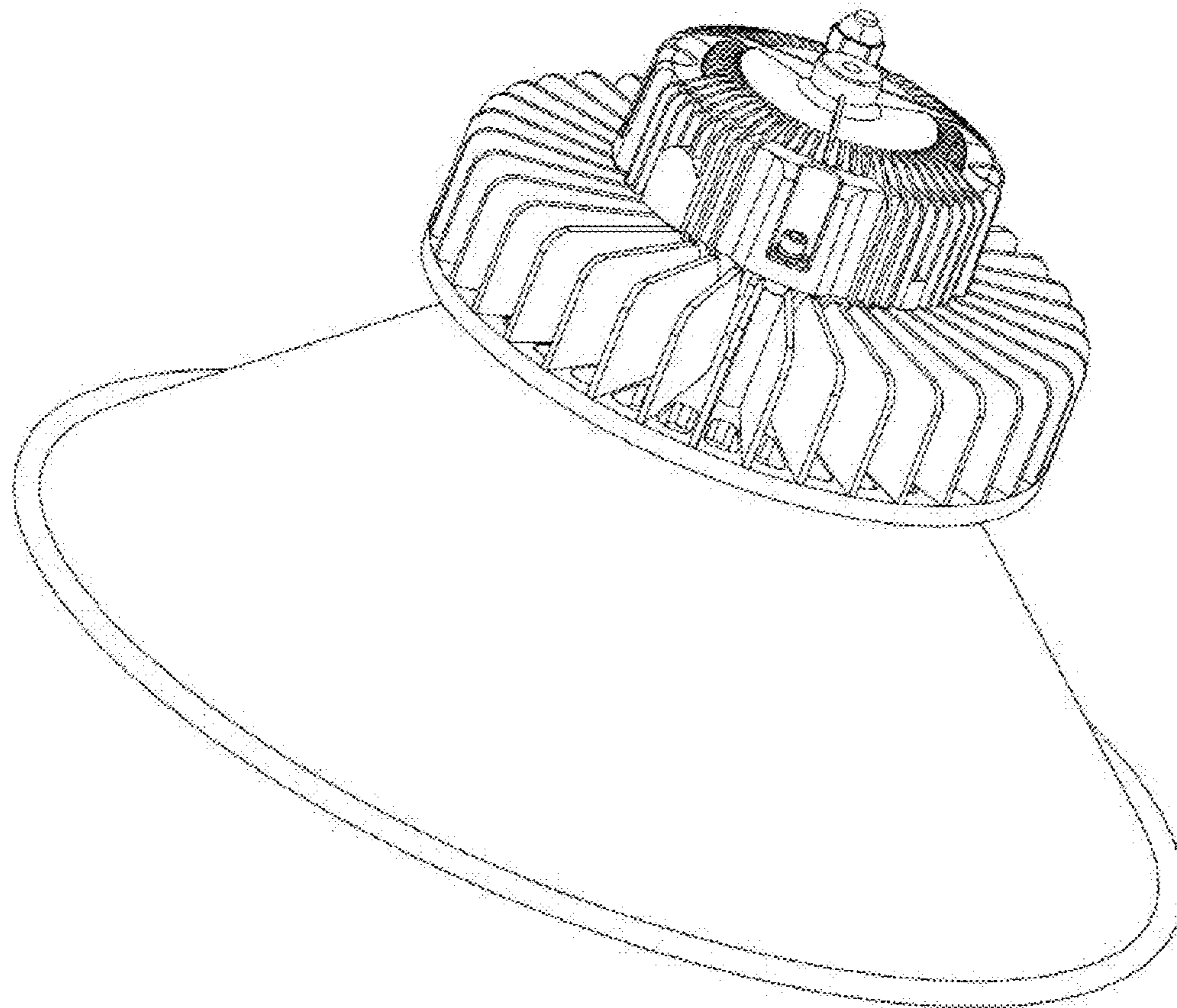
(57) **CLAIM**

The ornamental design for an LED mining lamp, as shown and described.

DESCRIPTION

FIG. 1 is a front elevational view of the LED mining lamp showing my new design;
FIG. 2 is a rear elevational view thereof;
FIG. 3 is a left side elevational view thereof;
FIG. 4 is a right side elevational view thereof;
FIG. 5 is a top plan view thereof;
FIG. 6 is a bottom plan view thereof; and,
FIG. 7 is a perspective view projecting toward the rear thereof.

1 Claim, 7 Drawing Sheets



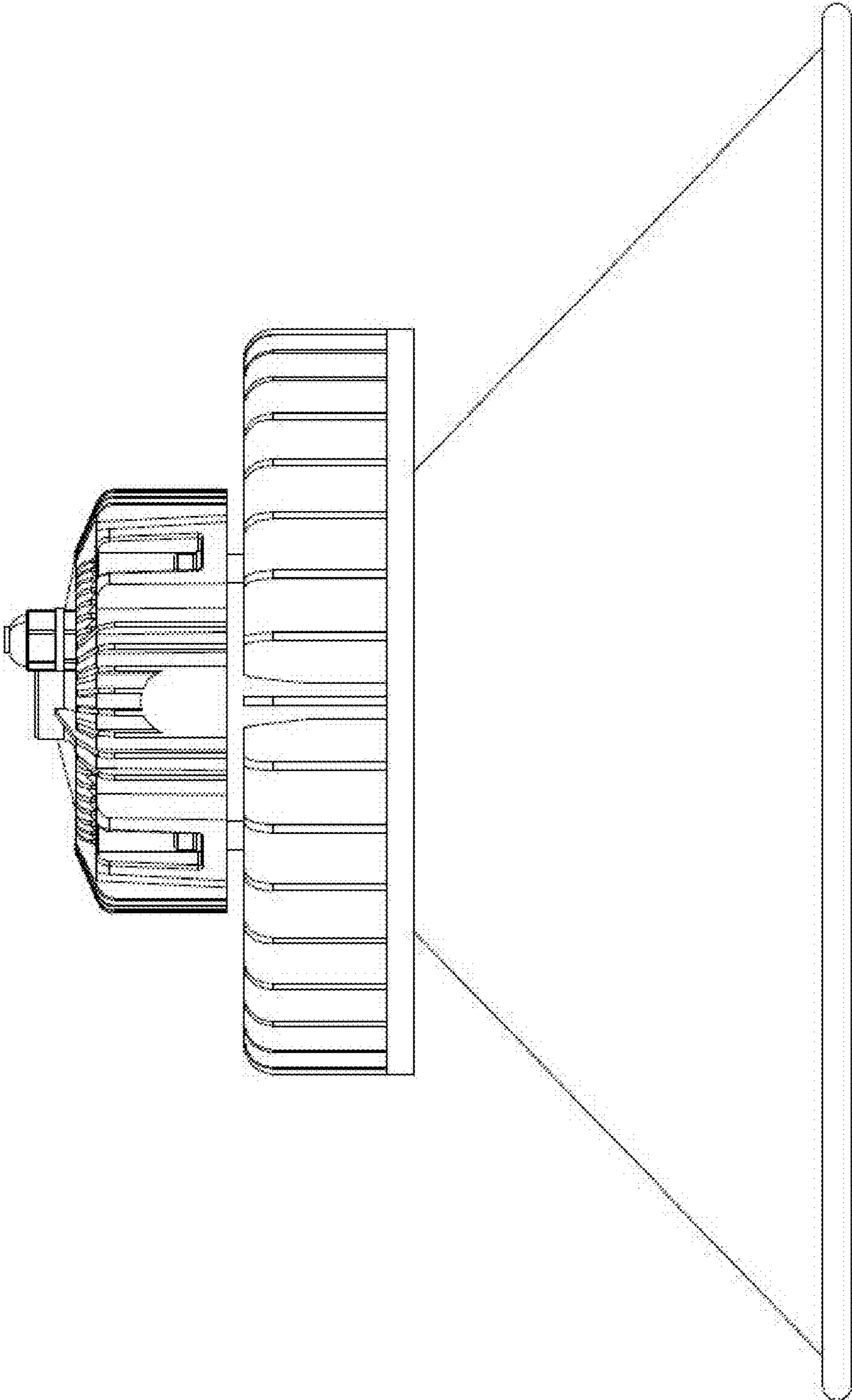


Fig. 1

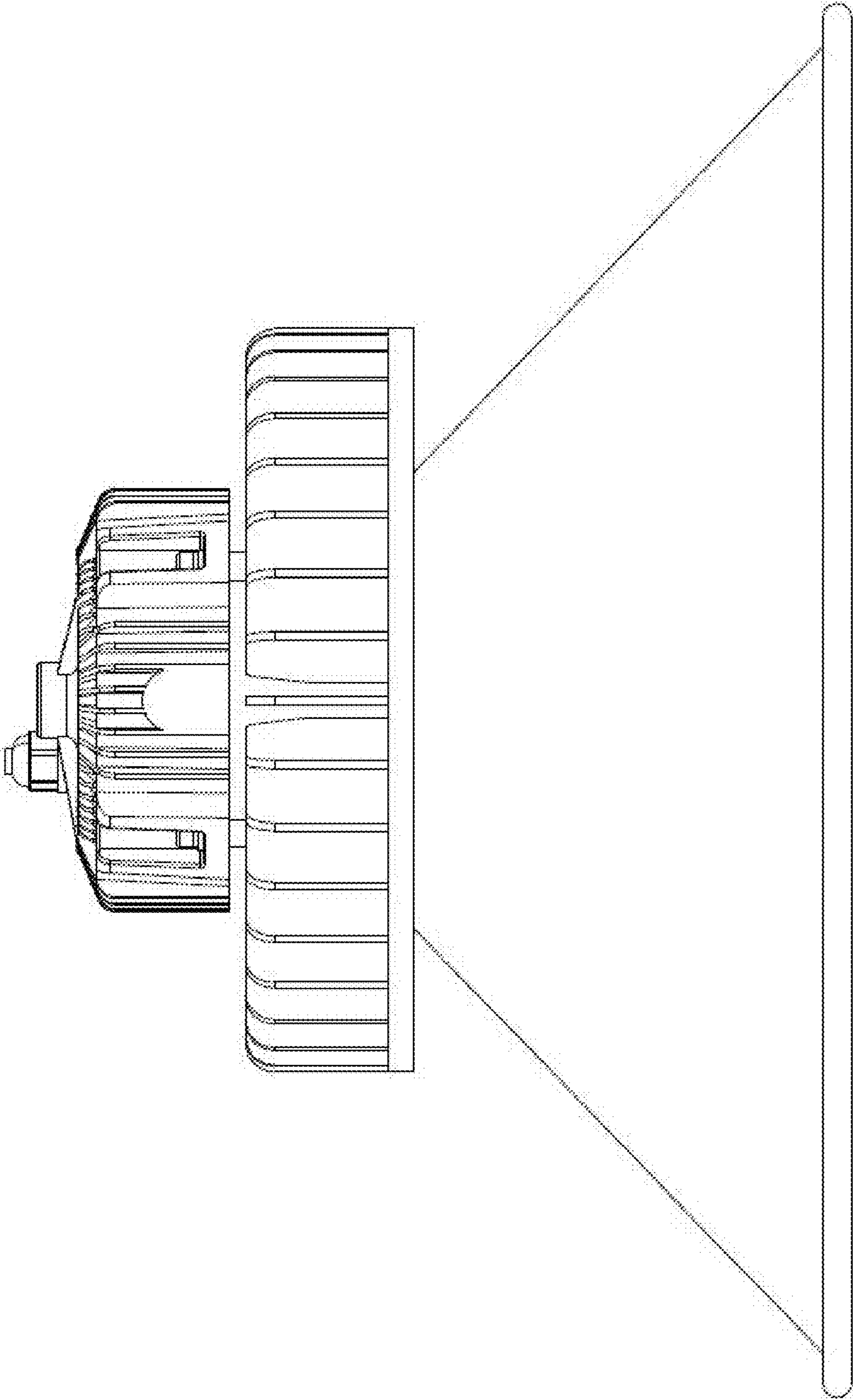


Fig. 2

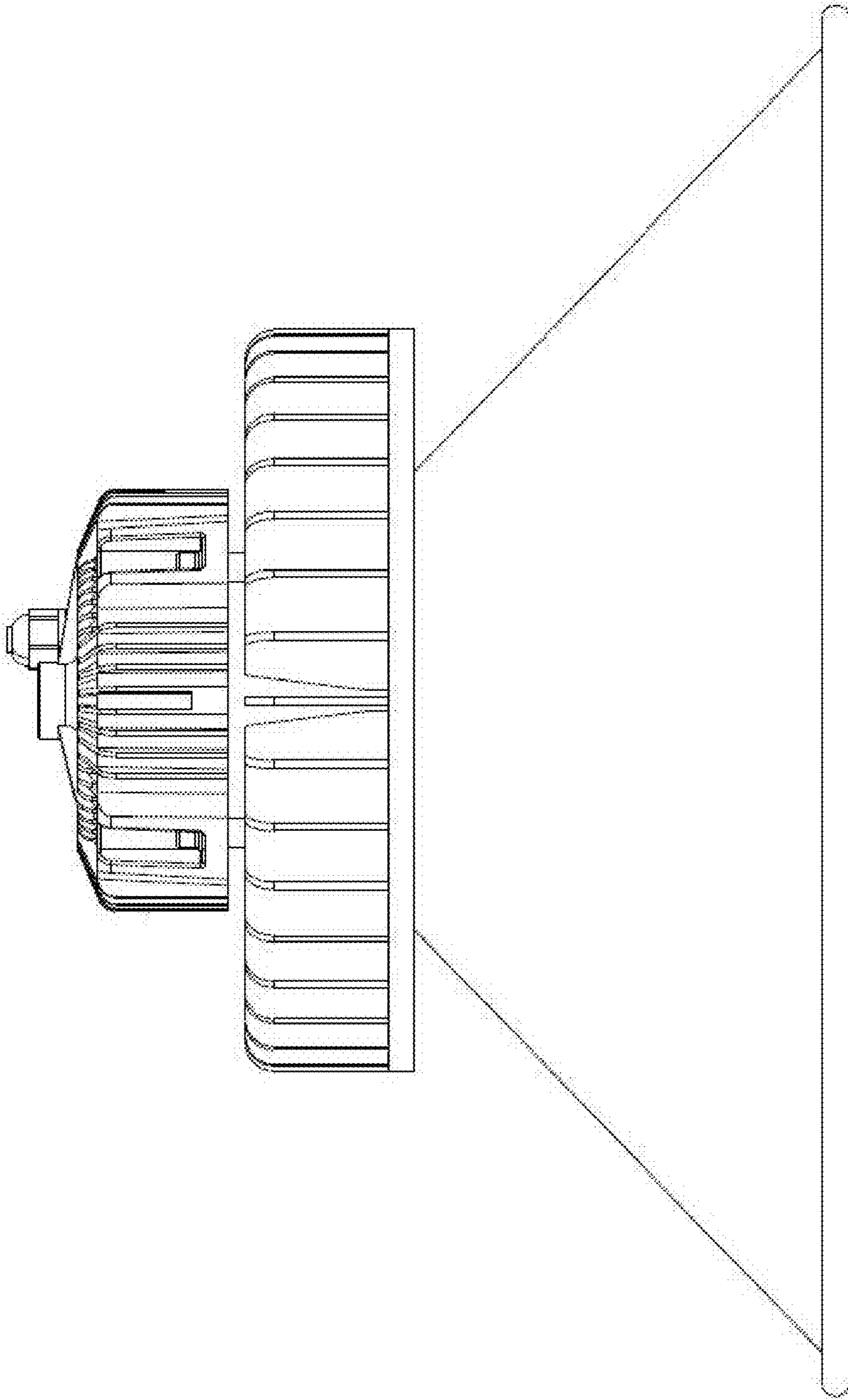


Fig. 3

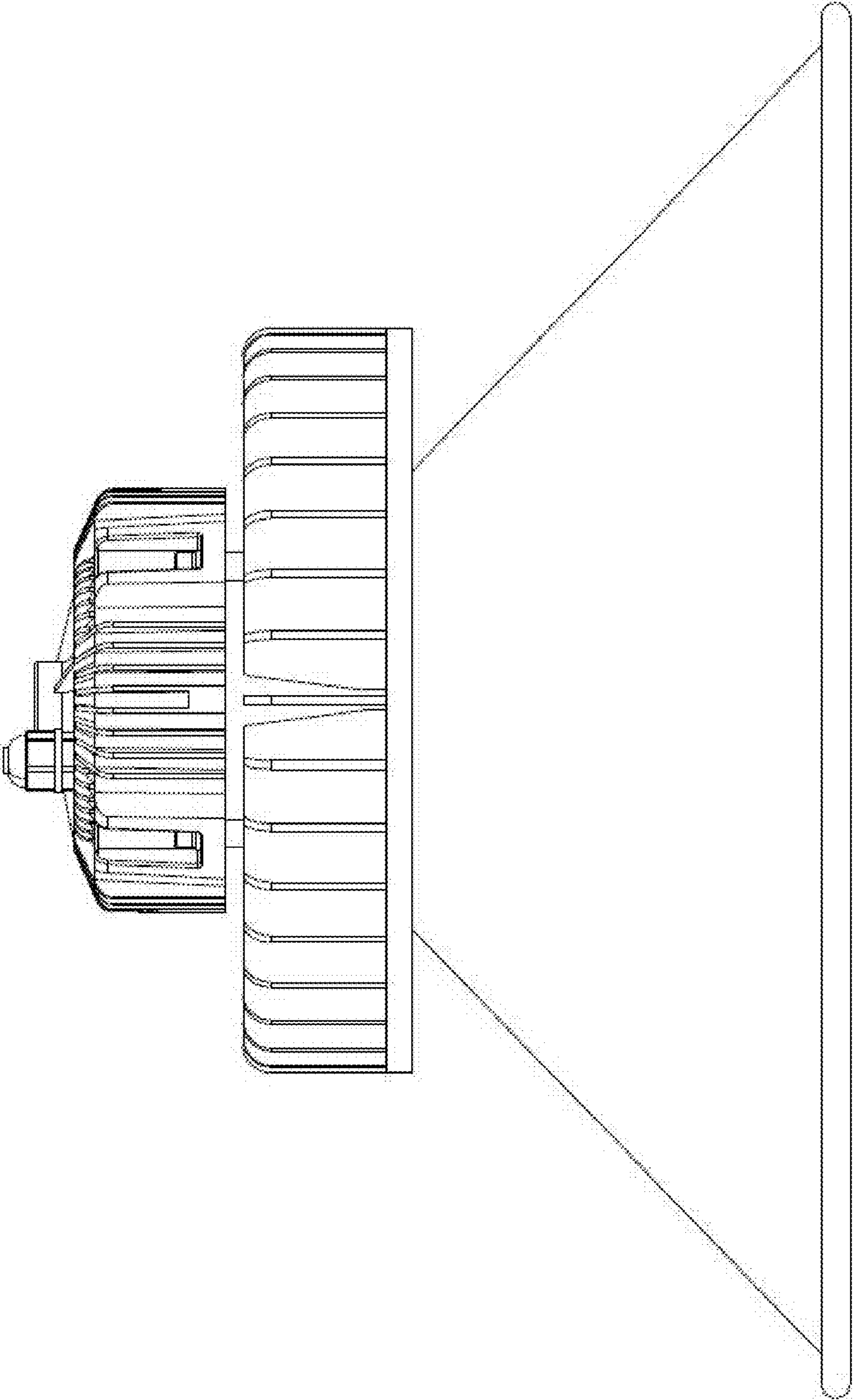


Fig. 4

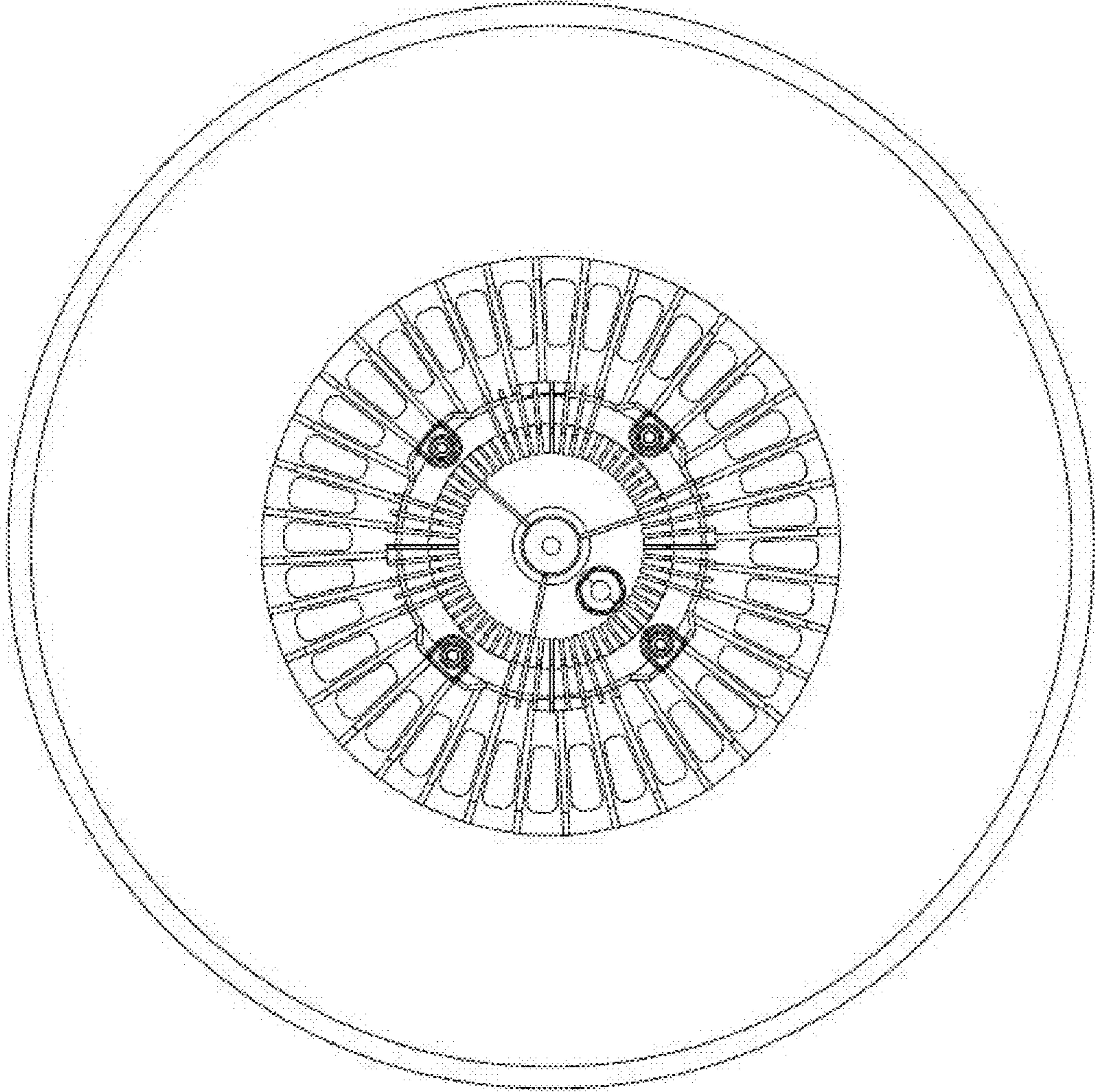


Fig. 5

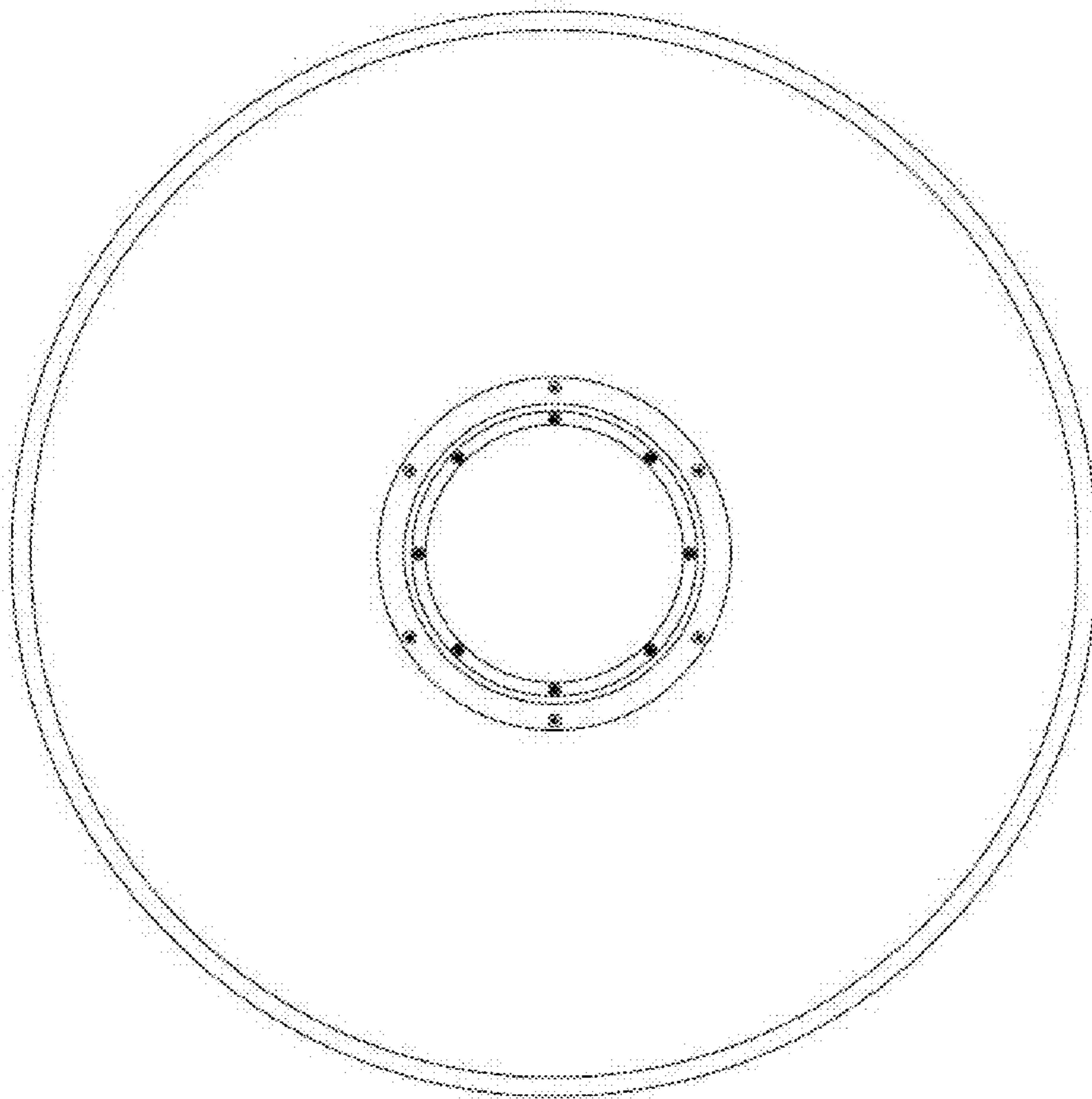


Fig. 6

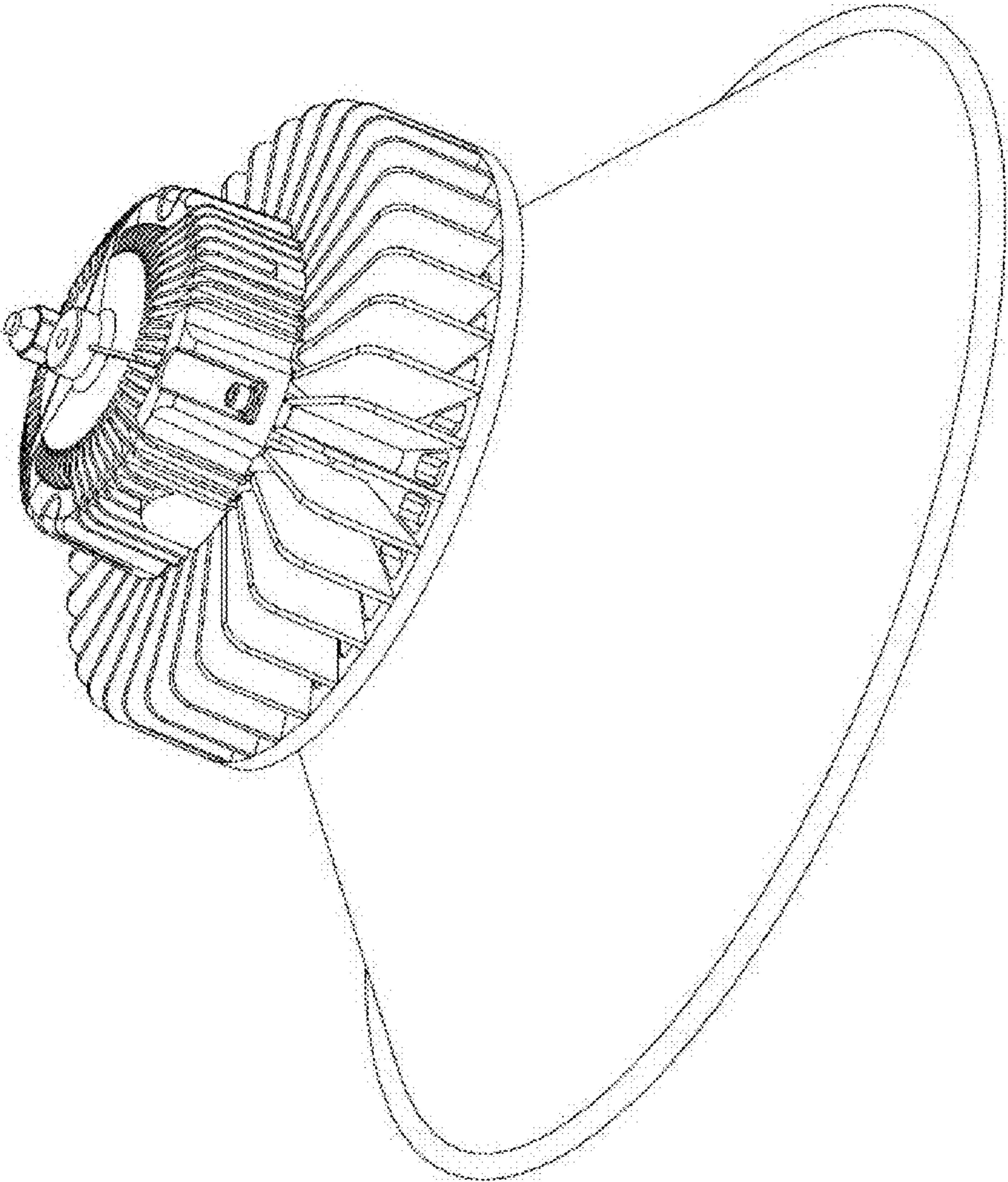


Fig. 7