



US00D792984S

(12) **United States Design Patent**  
**Trahan**

(10) **Patent No.:** **US D792,984 S**

(45) **Date of Patent:** **\*\* Jul. 25, 2017**

(54) **MODULAR CONSTRUCTION UNIT**

(71) Applicant: **Cecil Darel Trahan**, Lafayette, LA  
(US)

(72) Inventor: **Cecil Darel Trahan**, Lafayette, LA  
(US)

(\*\*) Term: **15 Years**

(21) Appl. No.: **29/549,885**

(22) Filed: **Dec. 29, 2015**

(51) **LOC (10) Cl.** ..... **25-02**

(52) **U.S. Cl.**  
USPC ..... **D25/35**

(58) **Field of Classification Search**  
USPC ..... D25/16, 17, 18, 35, 55, 56, 58, 60, 61,  
D25/199; 52/79.7, 80.1, 85, 86, 88,  
52/204.2, 204.53, 204.54, 211, 213;  
249/11, 12

CPC ..... E04B 1/32; E04B 1/34321  
See application file for complete search history.

(56) **References Cited**

**U.S. PATENT DOCUMENTS**

- D64,668 S \* 5/1924 Hansen ..... D25/60
- 4,301,632 A \* 11/1981 Wagner ..... E06B 1/006  
52/211
- 4,400,917 A \* 8/1983 Massaro ..... E06B 1/006  
52/211
- 4,601,138 A \* 7/1986 Hampton ..... E06B 1/006  
52/211
- 4,665,666 A \* 5/1987 Hampton ..... E06B 1/006  
52/211
- 5,572,834 A \* 11/1996 Lilly ..... E04F 13/06  
52/204.2
- D411,020 S \* 6/1999 Cotton ..... D25/102
- 6,195,945 B1 \* 3/2001 McGarry ..... E04C 3/38  
52/204.2
- D582,054 S \* 12/2008 Moller ..... D25/199

- D621,958 S \* 8/2010 Summerville, Jr. .... D25/60
- D633,646 S \* 3/2011 Marcaccio ..... D26/118
- 2005/0183347 A1\* 8/2005 Barry ..... B27D 1/083  
52/86

**FOREIGN PATENT DOCUMENTS**

CN 301099845 \* 12/2009

\* cited by examiner

*Primary Examiner* — Susan Bennett Hattan

*Assistant Examiner* — Leanne Was-Englehart

(74) *Attorney, Agent, or Firm* — Dunlap Bennett &  
Ludwig PLLC

(57) **CLAIM**

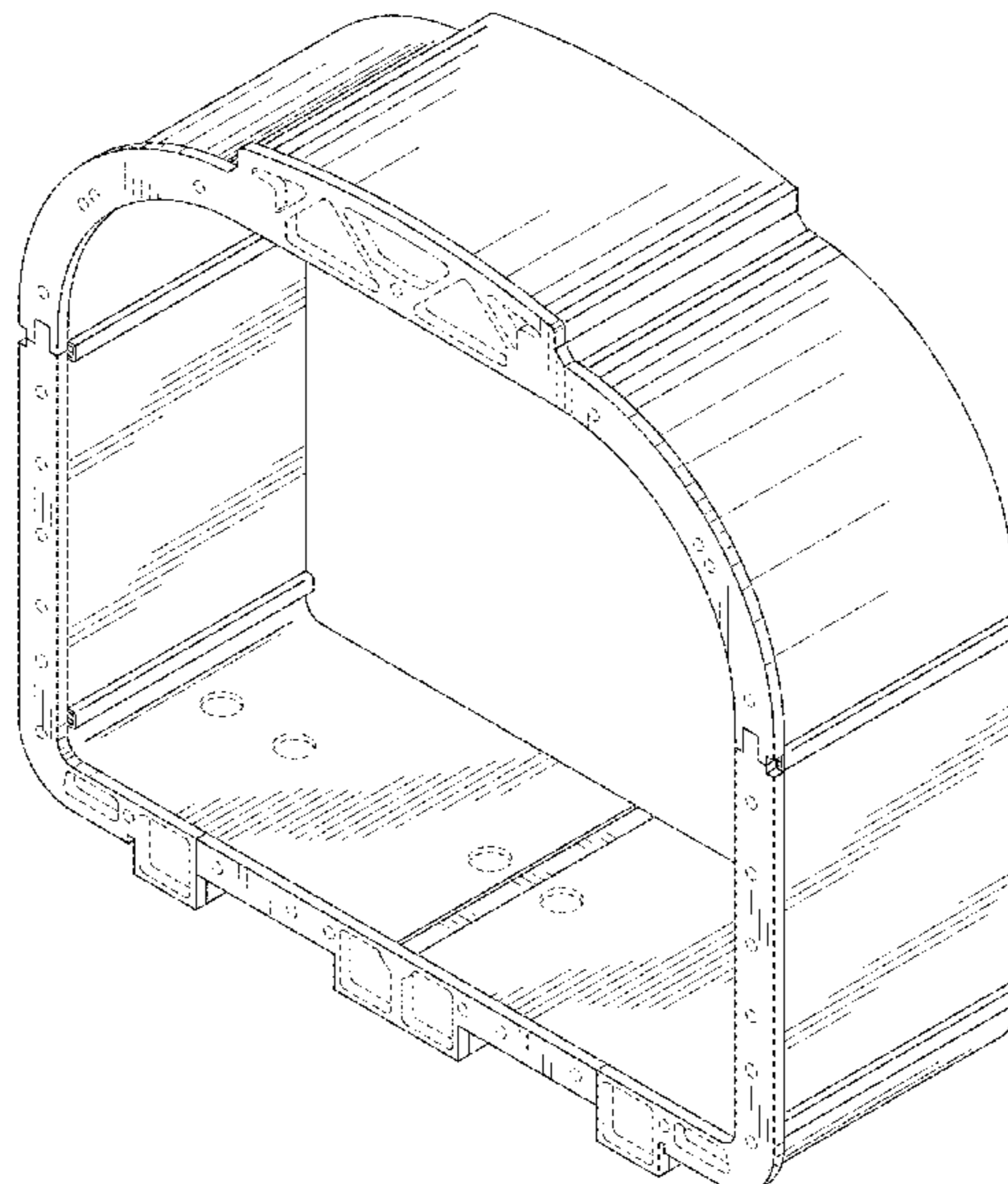
The ornamental design for a modular construction unit, as shown and described.

**DESCRIPTION**

FIG. 1 is a front perspective view of a modular construction unit;  
 FIG. 2 is a front elevation view thereof;  
 FIG. 3 is a rear elevation view thereof;  
 FIG. 4 is a right side elevation view thereof, the left side elevation view being a mirror image thereof;  
 FIG. 5 is a top plan view thereof;  
 FIG. 6 is a bottom plan view thereof; and,  
 FIG. 7 is a front perspective view of the modular construction unit, shown in use with other modular construction units.

The broken lines showing other modular construction units in FIG. 7 depicts environmental subject matter that forms no part of the claimed design, while the remaining broken lines shown in the drawings depict portions of the modular construction unit that form no part of the claimed design.

**1 Claim, 6 Drawing Sheets**



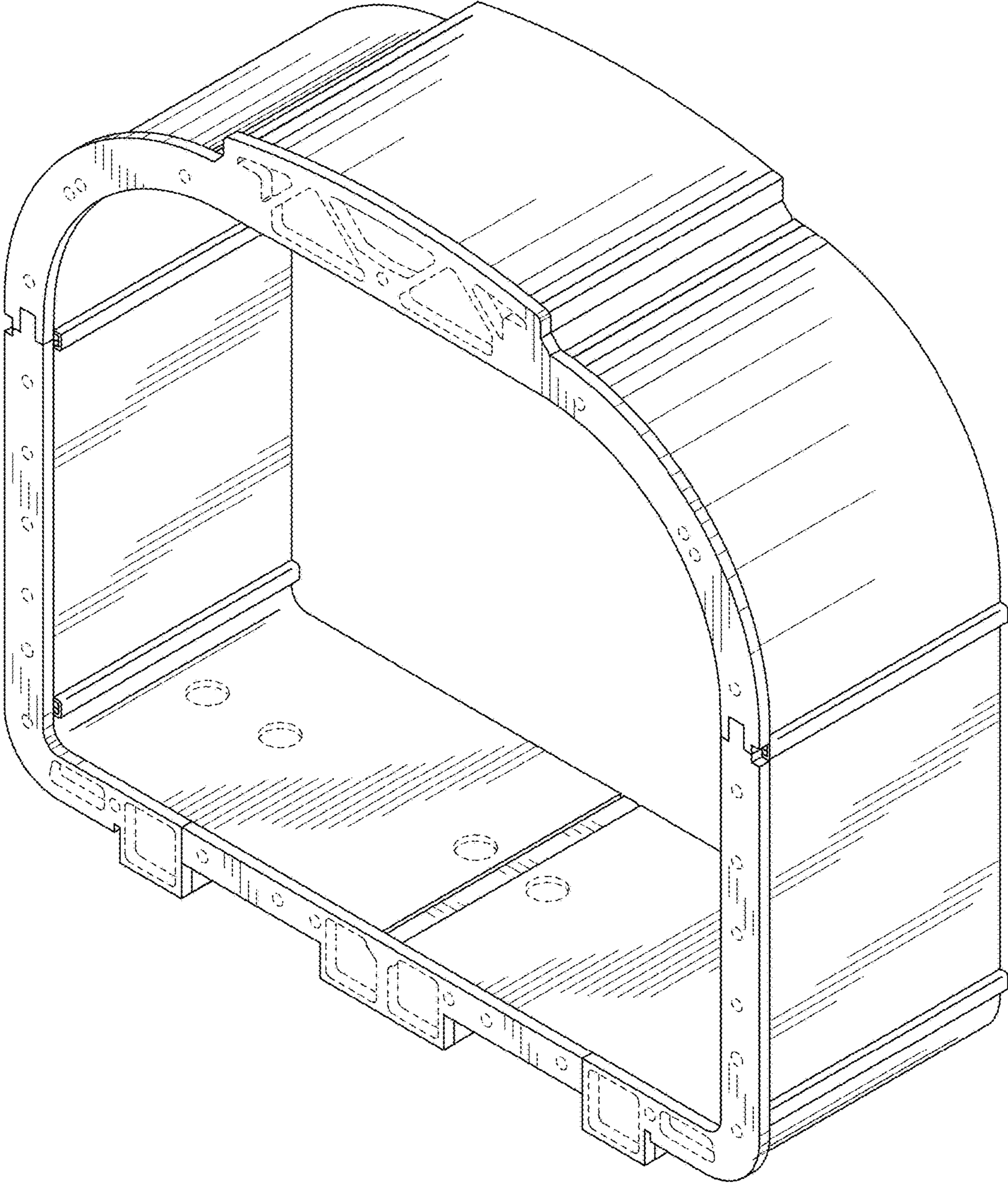


FIG. 1

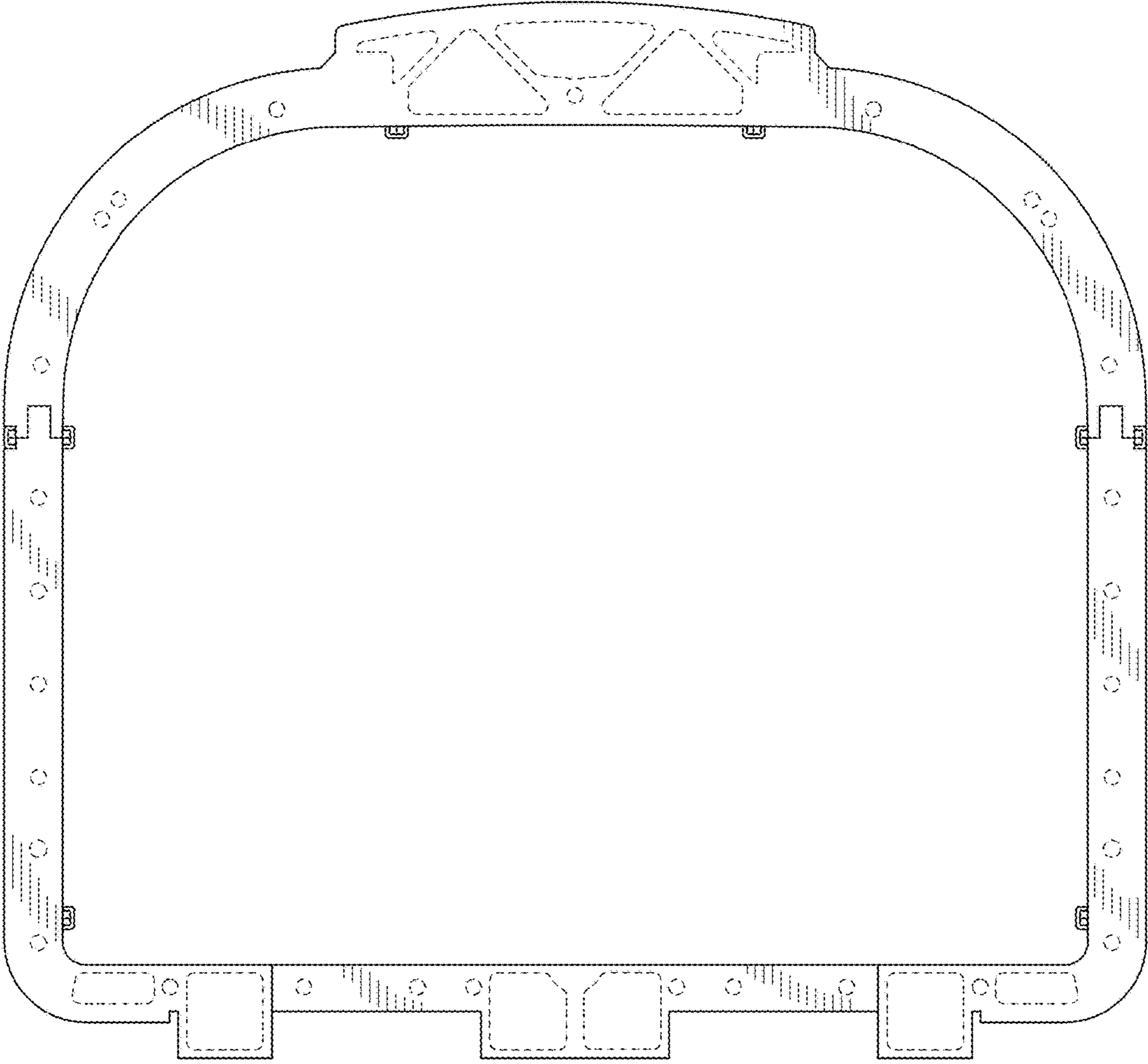


FIG.2

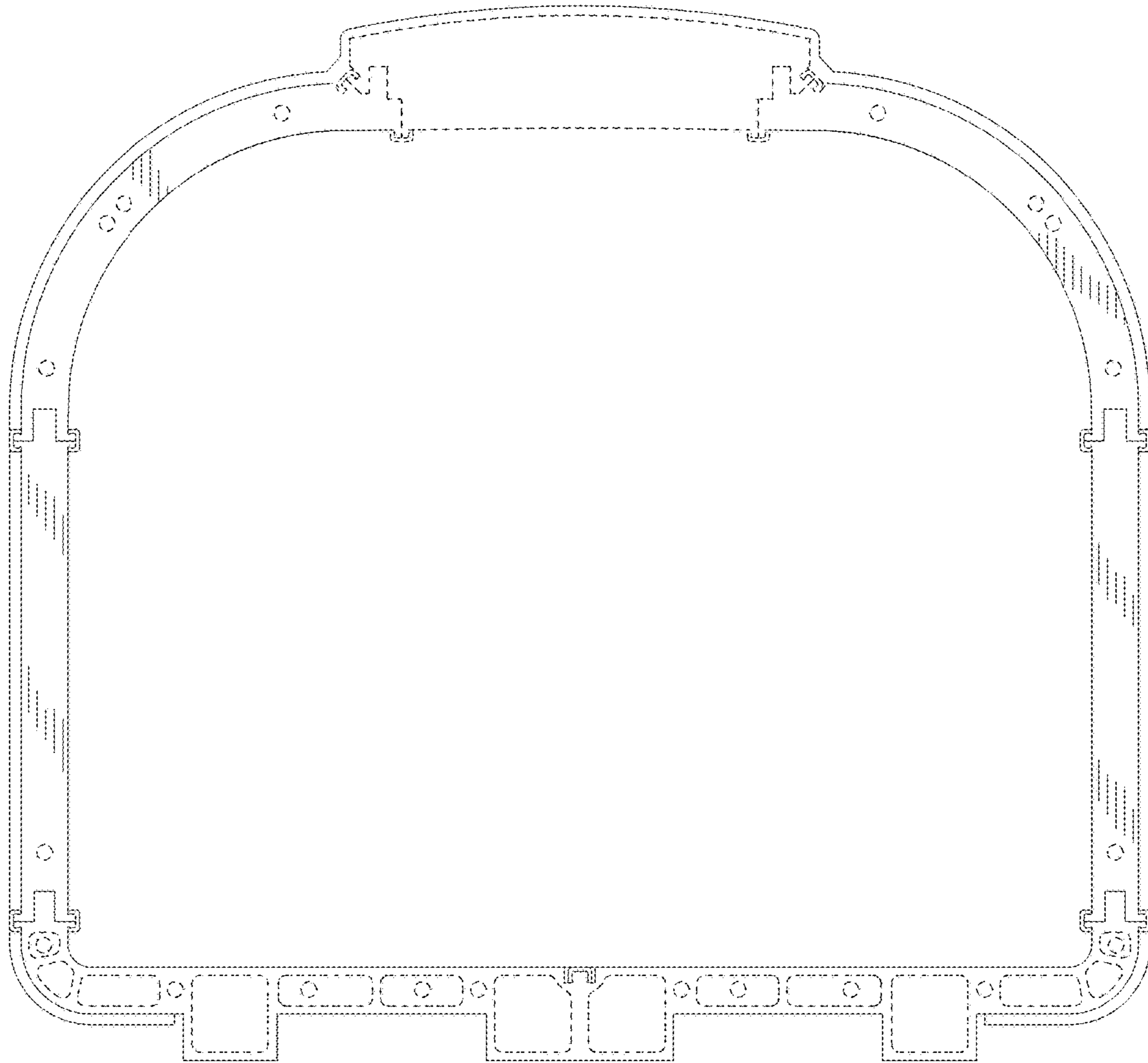


FIG. 3



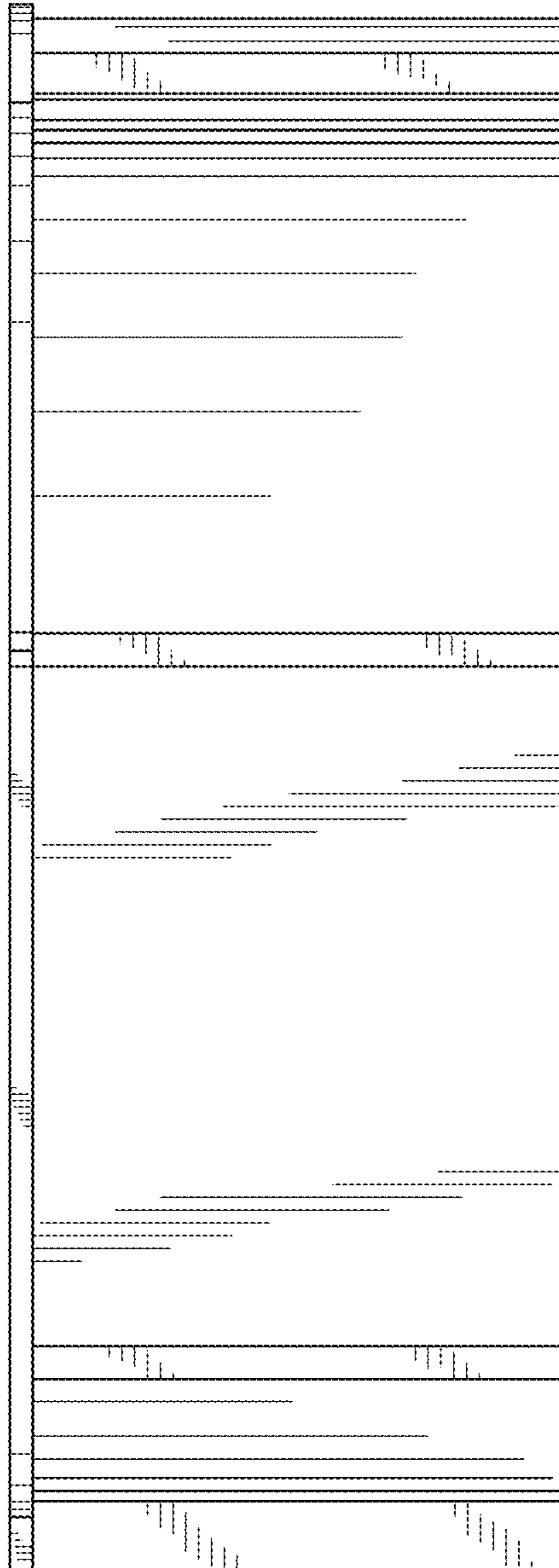


FIG.4

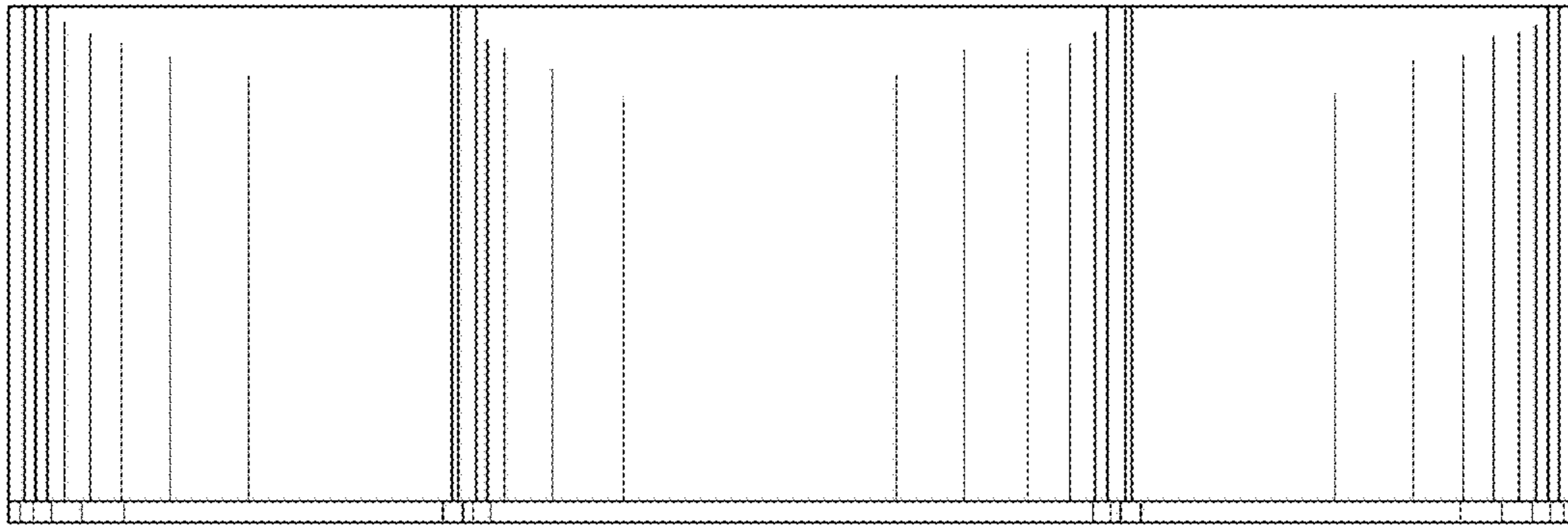


FIG. 5

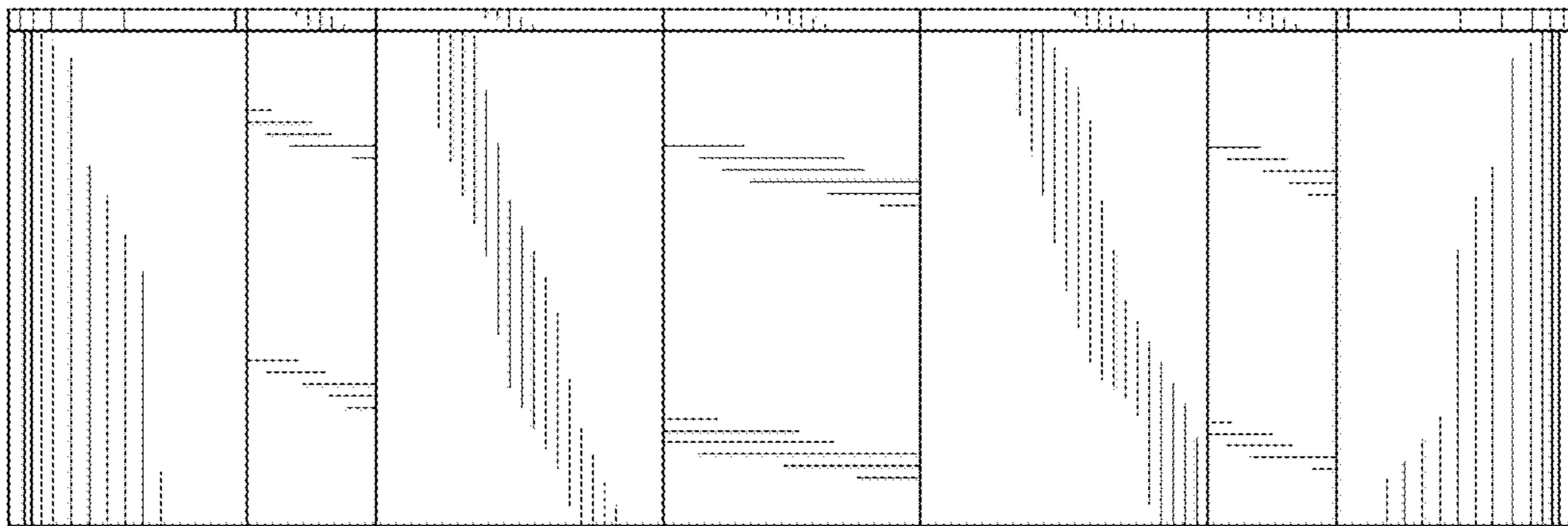


FIG. 6

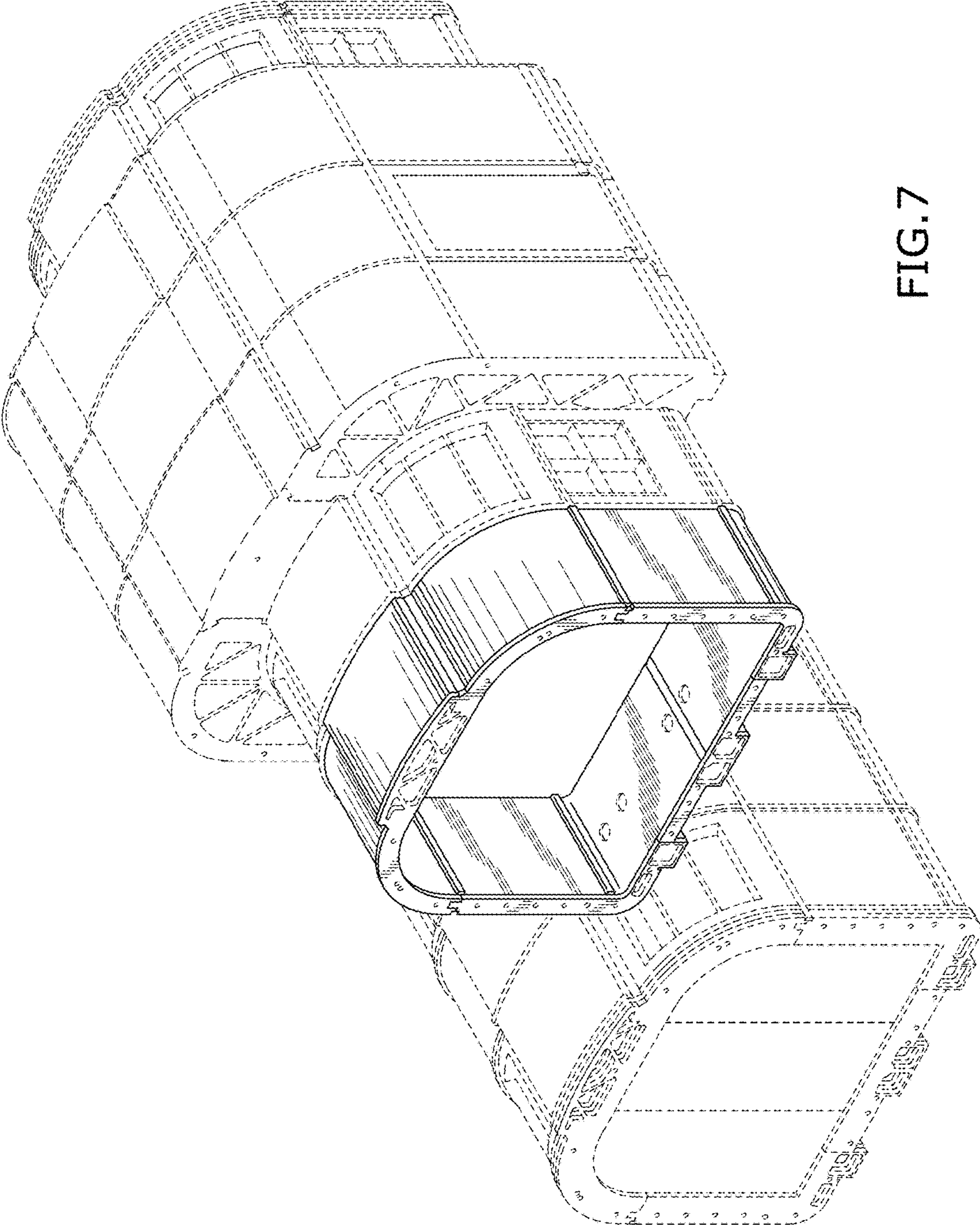


FIG. 7