



US00D792983S

(12) **United States Design Patent**  
**Cruey**

(10) **Patent No.:** **US D792,983 S**

(45) **Date of Patent:** **\*\* Jul. 25, 2017**

- (54) **ARCHED CABIN**
- (71) Applicant: **David Wayne Cruey**, Cypress, TX (US)
- (72) Inventor: **David Wayne Cruey**, Cypress, TX (US)
- (\*\*) Term: **15 Years**
- (21) Appl. No.: **29/554,580**
- (22) Filed: **Feb. 12, 2016**
- (51) **LOC (10) Cl.** ..... **25-03**
- (52) **U.S. Cl.**  
USPC ..... **D25/18**
- (58) **Field of Classification Search**  
USPC ..... D25/1-34, 56  
CPC .... E01F 9/012; E04B 1/02; E04B 1/08; E04B 1/26; E04B 1/344; E04B 1/32; E04H 1/12  
See application file for complete search history.

- 3,780,477 A \* 12/1973 Sprung, Jr. .... E04B 1/32  
135/119
- 4,279,105 A \* 7/1981 Cameron ..... E04H 1/12  
116/63 T
- 2014/0033621 A1\* 2/2014 Vidal ..... E04B 1/3445  
52/79.5
- 2014/0123574 A1\* 5/2014 Paone ..... E04H 1/005  
52/79.12
- 2016/0265244 A1\* 9/2016 Watson ..... E04B 1/34373

\* cited by examiner

*Primary Examiner* — Manpreet Matharu

*Assistant Examiner* — Suzanne Tisdell

(57) **CLAIM**

The ornamental design for an arched cabin, as shown and described.

**DESCRIPTION**

FIG. 1 is a top perspective view of an arched cabin showing my new design;

FIG. 2 is a magnified view of the upper right portion of the arched cabin in FIG. 1;

FIG. 3 is a bottom perspective view of the arched cabin;

FIG. 4 is a front elevational view thereof, the rear elevational view being a mirror image;

FIG. 5 is a right-side elevational view thereof, the left-side elevational view being a mirror image;

FIG. 6 is a magnified view of the upper right portion of the arched cabin in FIG. 5;

FIG. 7 is a top plan view of the arched cabin; and,

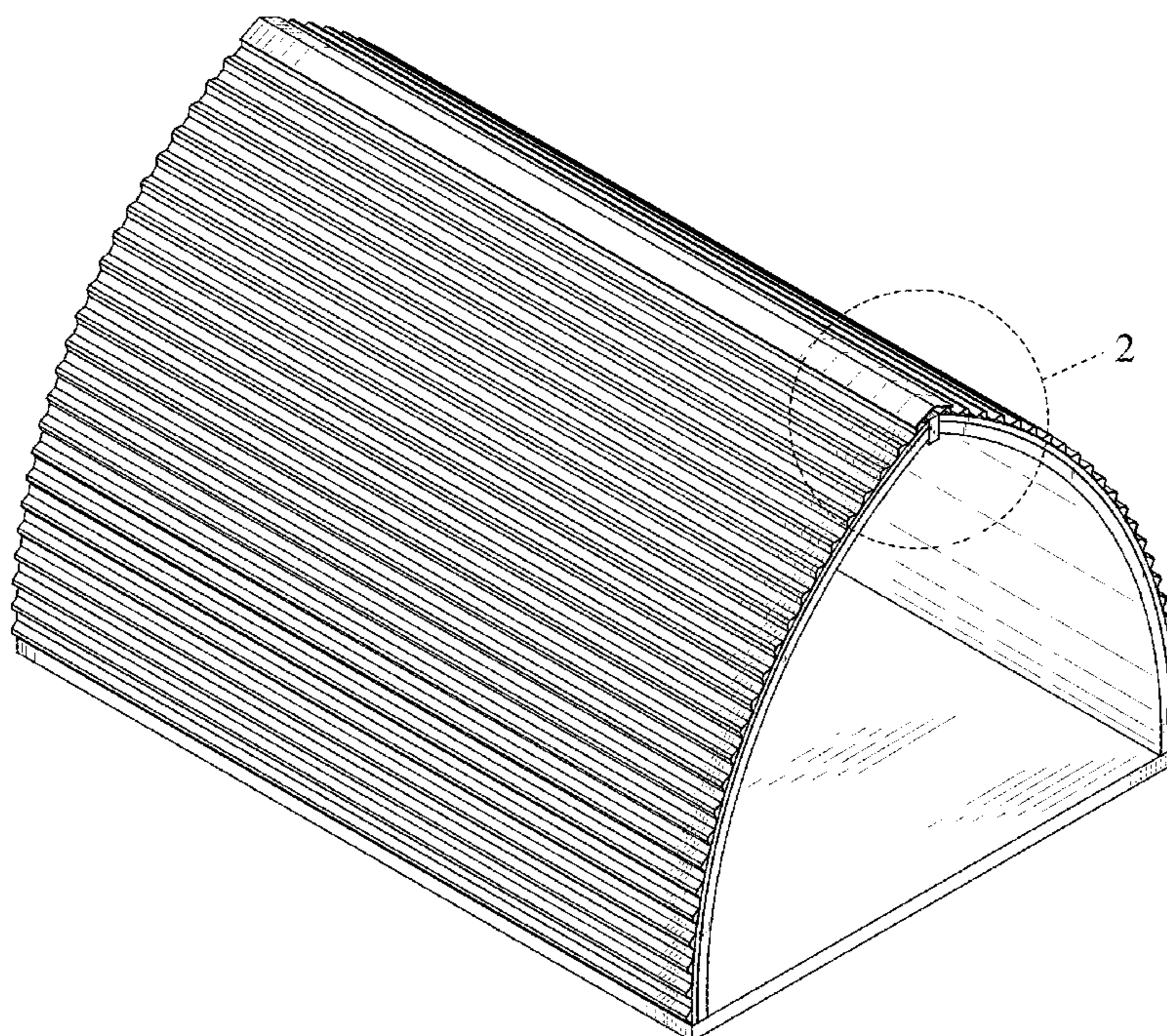
FIG. 8 is a bottom plan view thereof.

**1 Claim, 8 Drawing Sheets**

(56) **References Cited**

U.S. PATENT DOCUMENTS

- 391,442 A \* 10/1888 Walburn ..... E04B 1/344  
52/71
- 2,835,931 A \* 5/1958 Sterkin ..... E04H 1/12  
52/272
- 3,385,013 A \* 5/1968 Severson ..... E04B 1/26  
52/11
- 3,442,057 A \* 5/1969 Derr ..... E04B 1/34321  
135/100
- 3,460,297 A \* 8/1969 Fritz ..... E04B 1/3442  
296/173
- 3,464,167 A \* 9/1969 Mason ..... E04B 1/08  
52/22



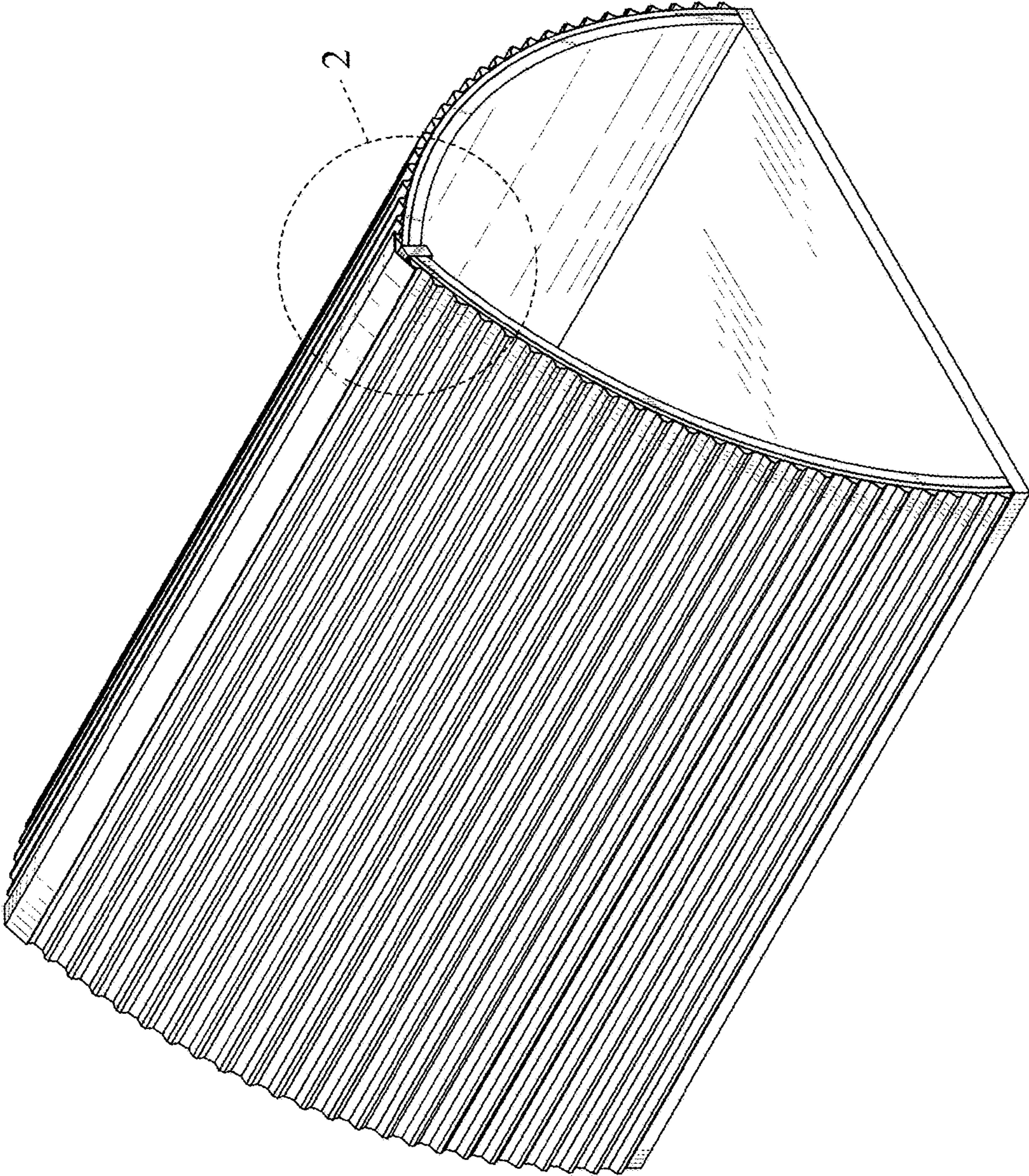


FIG. 1

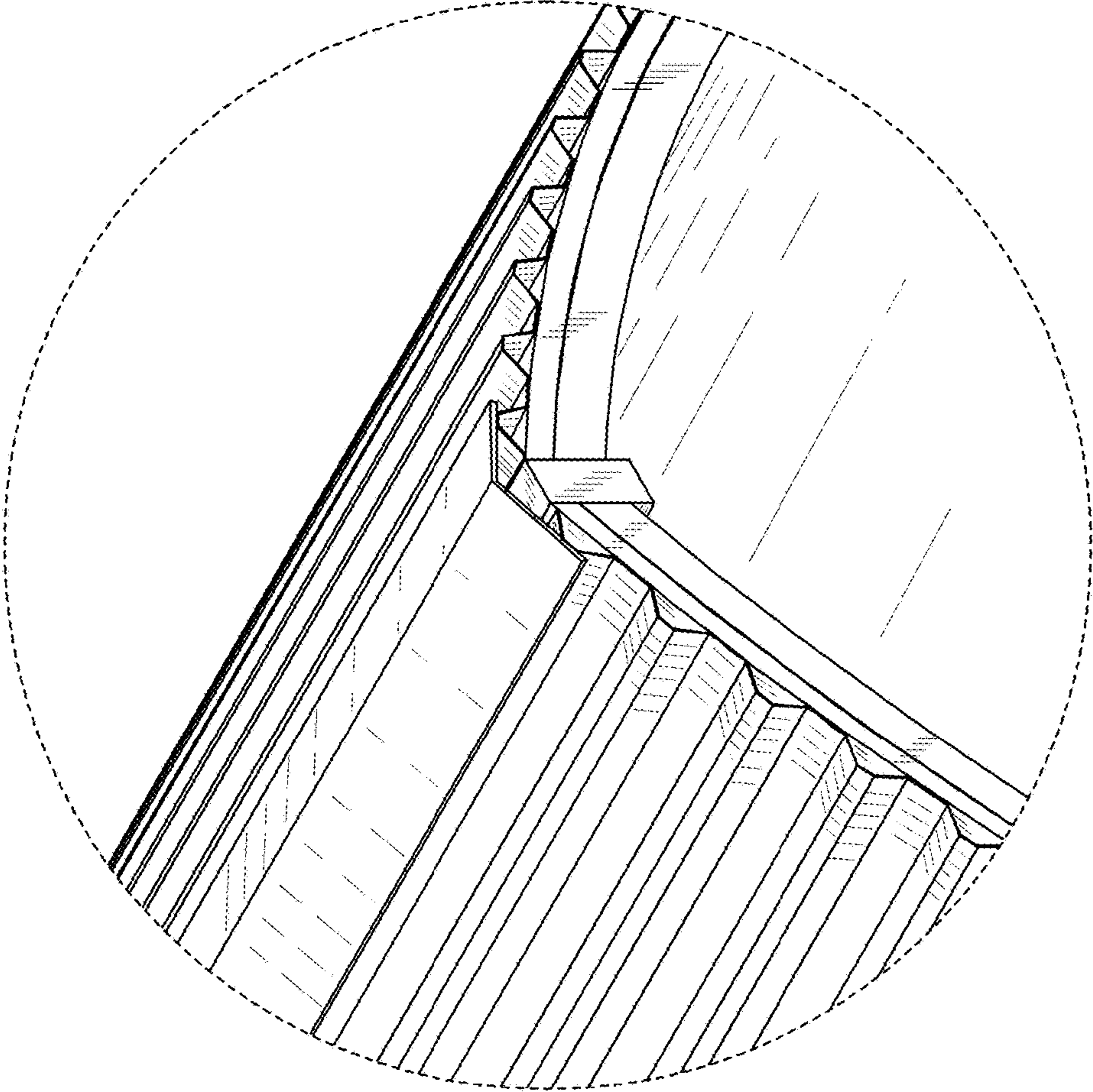


FIG. 2

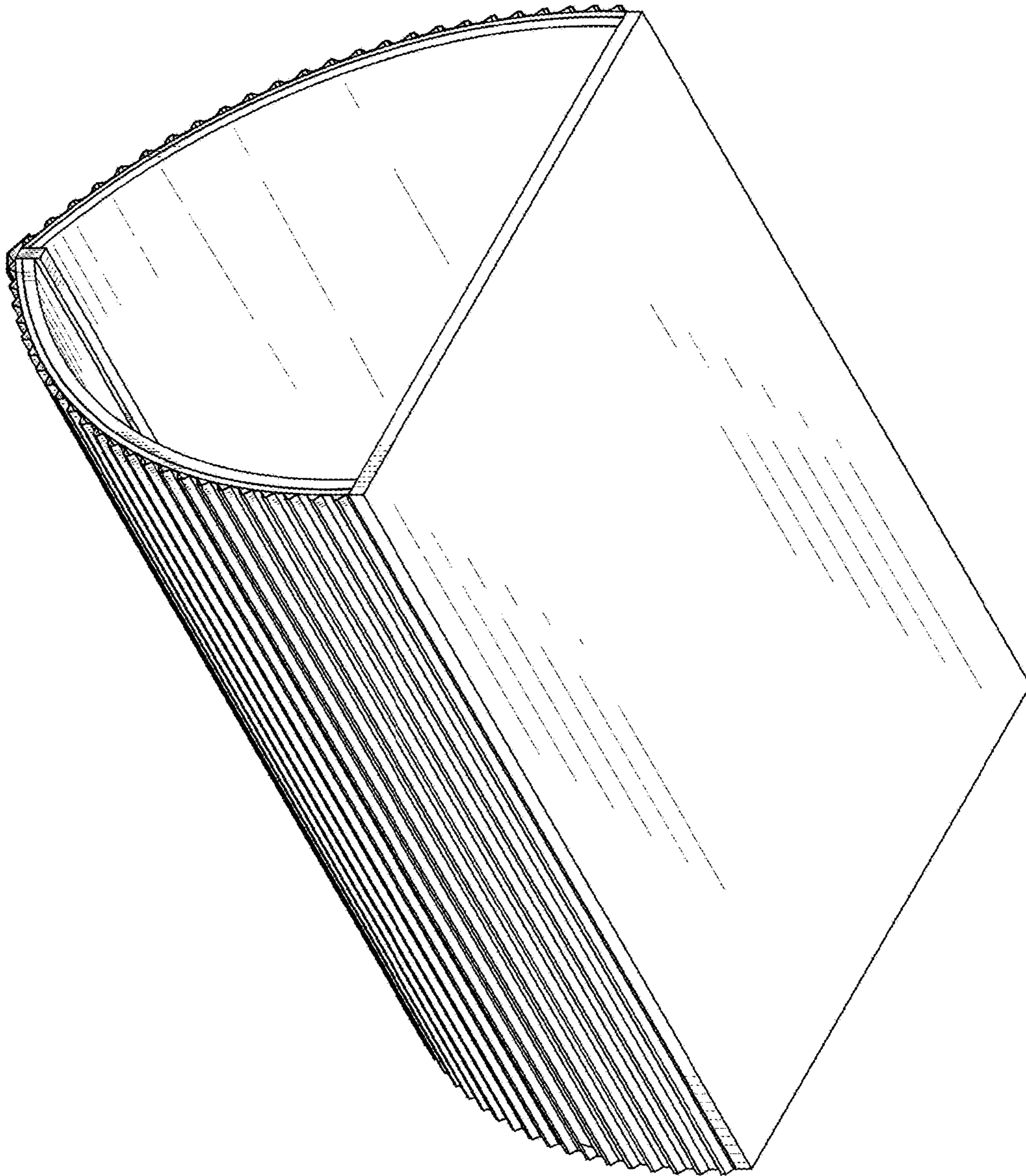


FIG. 3

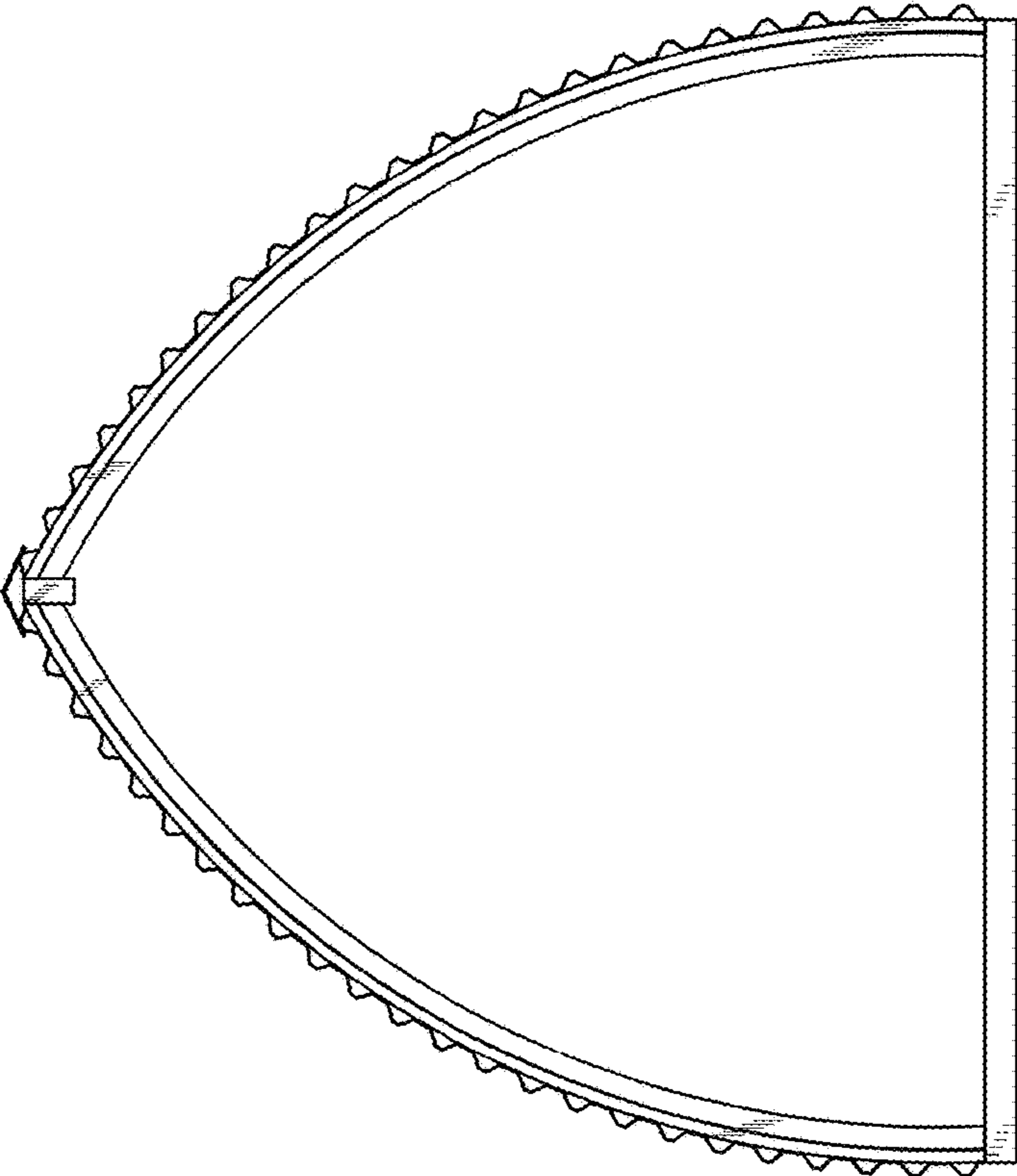


FIG. 4

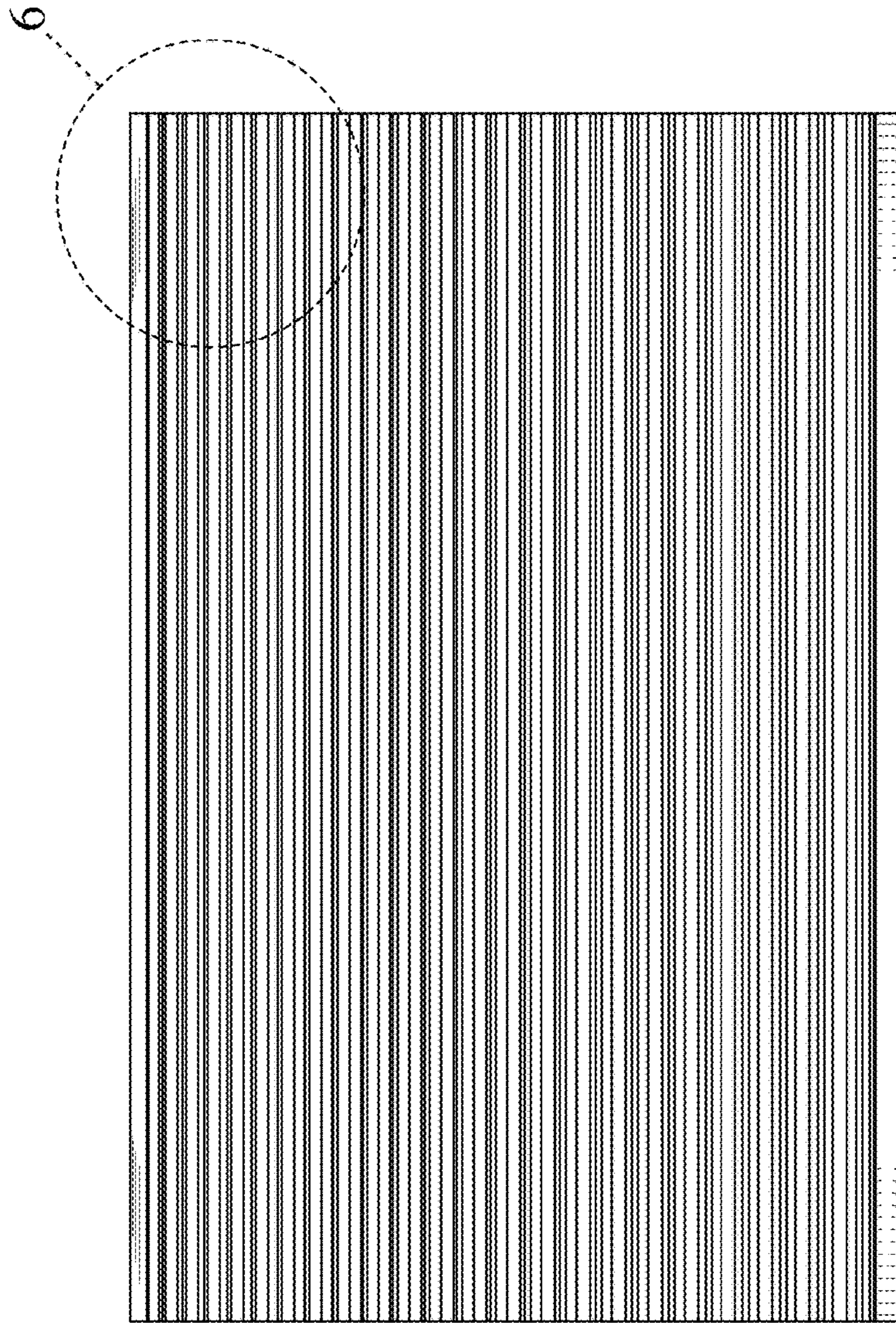


FIG. 5

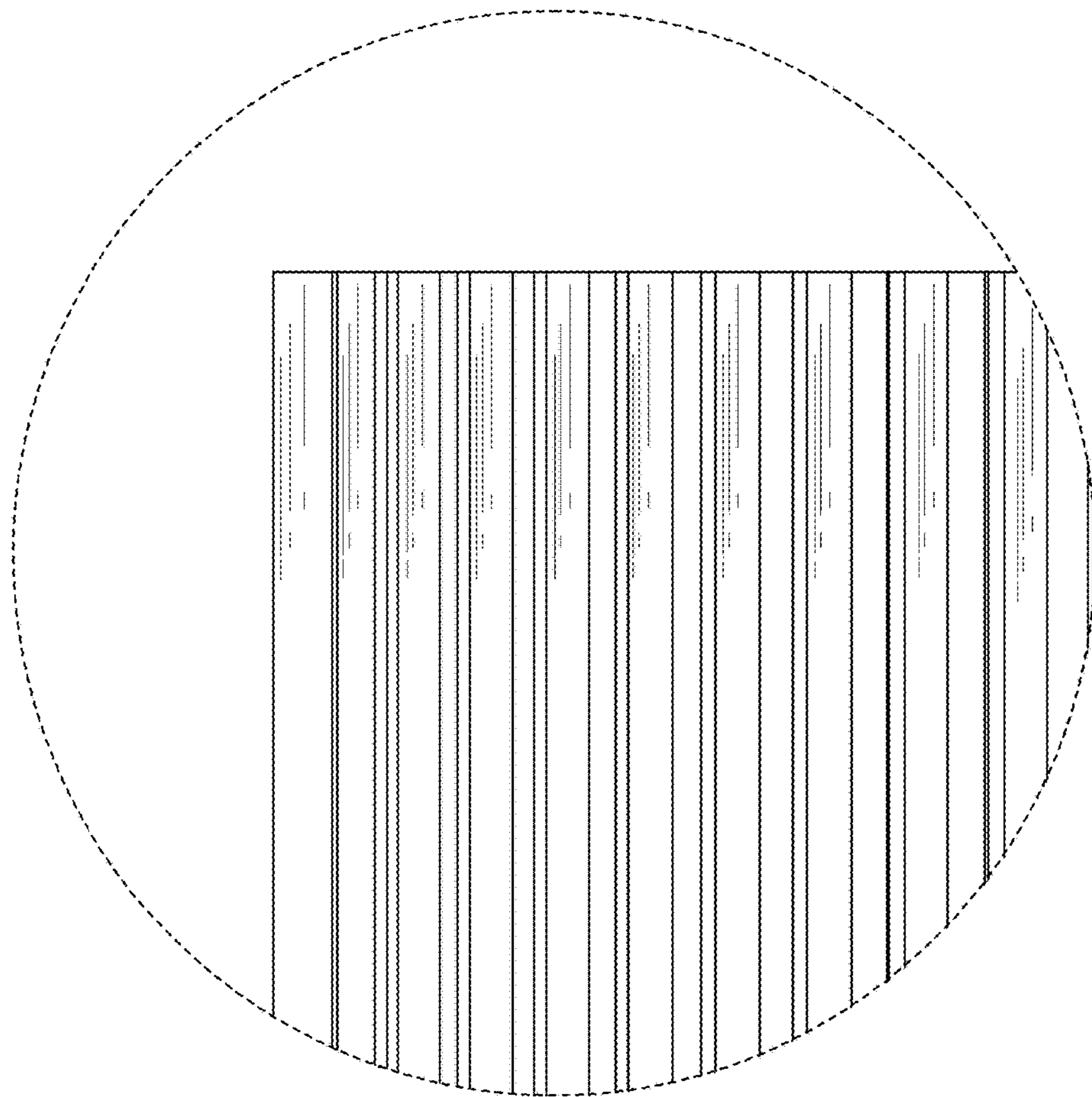


FIG. 6

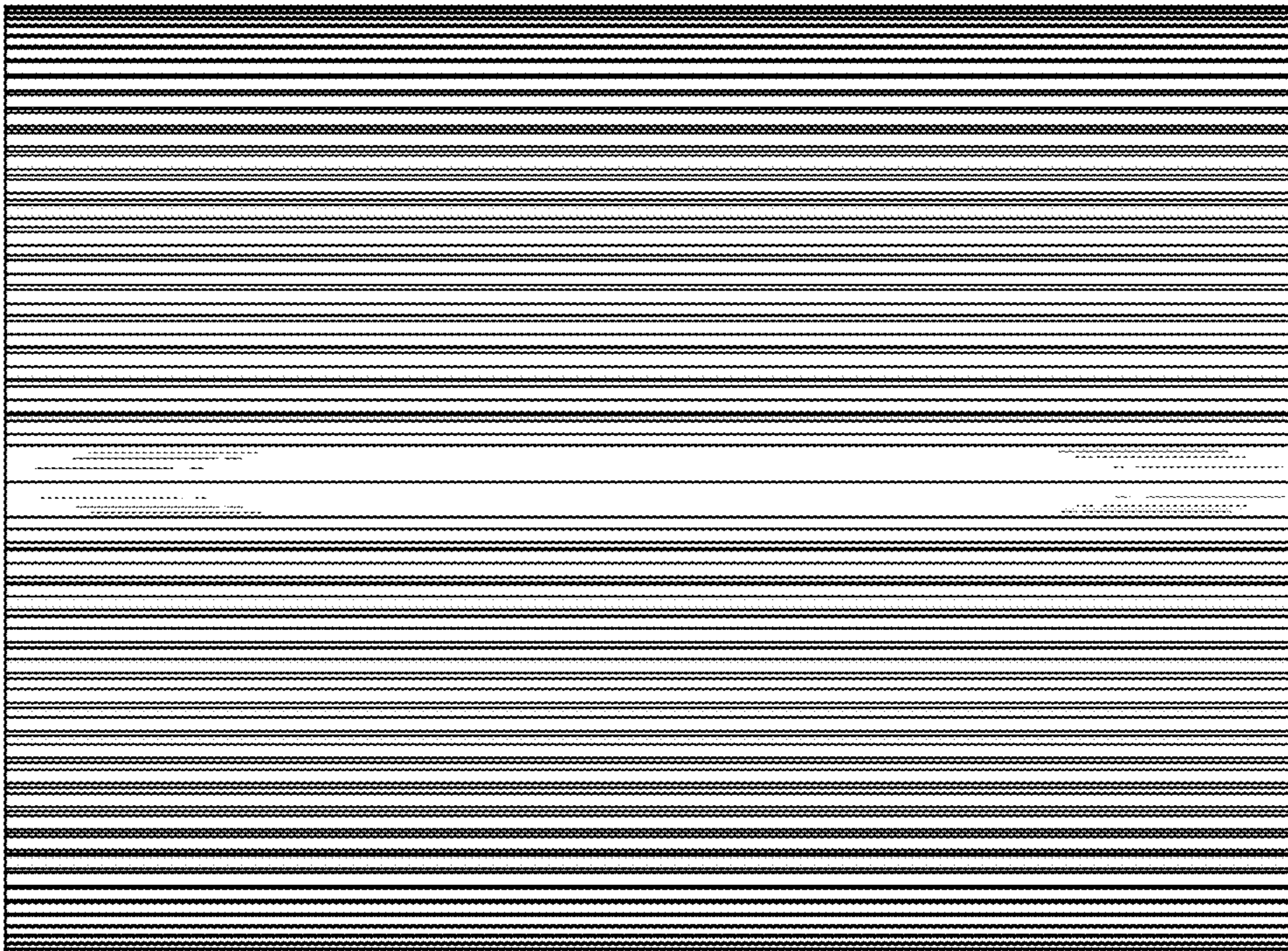


FIG. 7





FIG. 8