



US00D792981S

(12) **United States Design Patent**
Tajima

(10) **Patent No.:** **US D792,981 S**
(45) **Date of Patent:** **** Jul. 25, 2017**

- (54) **CARTRIDGE CONTAINER FOR EXTRACTION**
- (71) Applicant: **Universal Bio Research Co., Ltd.,**
Matsudo-shi, Chiba (JP)
- (72) Inventor: **Hideji Tajima, Matsudo (JP)**
- (73) Assignee: **UNIVERSAL BIO RESEARCH CO., LTD.,**
Matsudo-Shi, Chiba (JP)

- D624,194 S * 9/2010 Pack D24/224
- D669,597 S * 10/2012 Cavada D24/216
- D679,830 S * 4/2013 May D24/224
- D684,703 S * 6/2013 Watzele D24/224
- D687,567 S * 8/2013 Jungheim D24/224
- D700,712 S * 3/2014 May D24/224
- D703,345 S * 4/2014 Tajima D24/224
- D709,625 S * 7/2014 Baum D24/224
- D717,468 S * 11/2014 Tsai D24/224
- D718,465 S * 11/2014 Tajima D24/224
- D723,181 S * 2/2015 Kawamura D24/224
- D759,835 S * 6/2016 Baum D24/224

- (**) Term: **15 Years**
- (21) Appl. No.: **29/540,395**
- (22) Filed: **Sep. 24, 2015**

(Continued)

Primary Examiner — Susan Bennett Hattan
Assistant Examiner — Rebecca Tsehaye
 (74) *Attorney, Agent, or Firm* — Haynes and Boone LLP

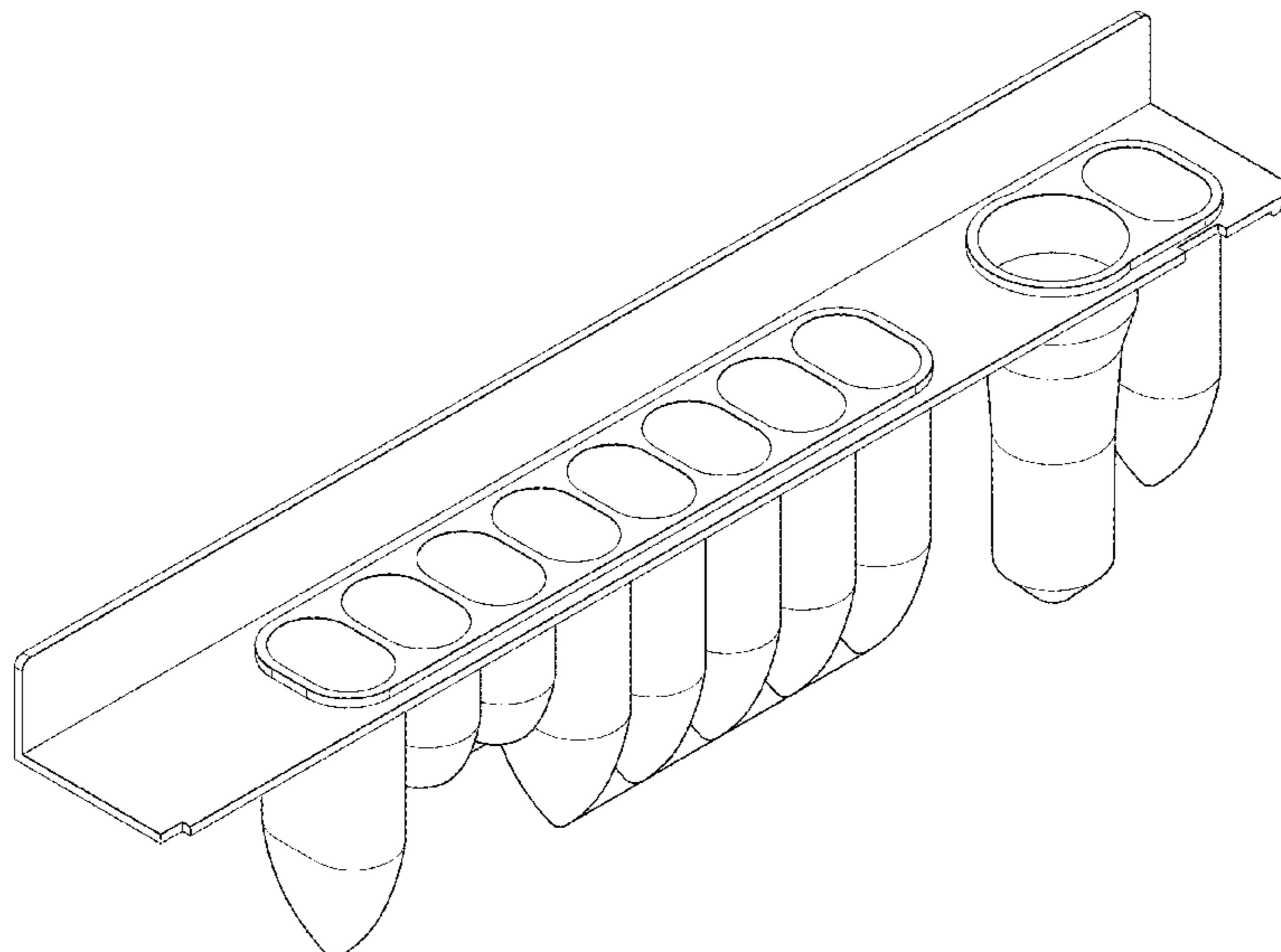
- (30) **Foreign Application Priority Data**
Mar. 25, 2015 (JP) 2015-006433
- (51) **LOC (10) Cl.** **24-02**
- (52) **U.S. Cl.**
USPC **D24/224**
- (58) **Field of Classification Search**
USPC D24/224, 229, 230, 216, 225, 226, 227;
422/562, 561, 560, 564, 500
CPC . A61B 10/0096; A61B 10/0038; A61B 10/02;
B01L 3/5082; B01L 3/5085; B01L
3/50853; B01L 3/50851
See application file for complete search history.

(57) **CLAIM**
The ornamental design for a cartridge container for extraction, as shown and described.

- (56) **References Cited**
U.S. PATENT DOCUMENTS
5,683,659 A * 11/1997 Hovatter B01L 3/5082
220/375
5,948,363 A * 9/1999 Gaillard B01L 3/5085
422/552
D453,573 S * 2/2002 Lafond D24/216
6,601,725 B2 * 8/2003 Lafond B01L 3/50853
220/23.4
D608,013 S * 1/2010 Coulling D24/224

DESCRIPTION
This application is related to U.S. patent application Ser. No. 29/540,392, filed on Sep. 24, 2015.
FIG. 1 is a perspective view of a cartridge container for extraction showing my new design;
FIG. 2 is another perspective view thereof;
FIG. 3 is a front view thereof;
FIG. 4 is a rear view thereof;
FIG. 5 is a right side view thereof;
FIG. 6 is a left side view thereof;
FIG. 7 is a top view thereof;
FIG. 8 is a bottom view thereof;
FIG. 9 is a sectional view thereof taken along line 9-9 of FIG. 3;
FIG. 10 is a sectional view thereof taken along line 10-10 of FIG. 3; and,
FIG. 11 is a sectional view thereof taken along line 11-11 of FIG. 7.

1 Claim, 9 Drawing Sheets



(56)

References Cited

U.S. PATENT DOCUMENTS

D762,873 S * 8/2016 Baum D24/224
2013/0029343 A1* 1/2013 Day B01L 3/50851
435/6.12

* cited by examiner

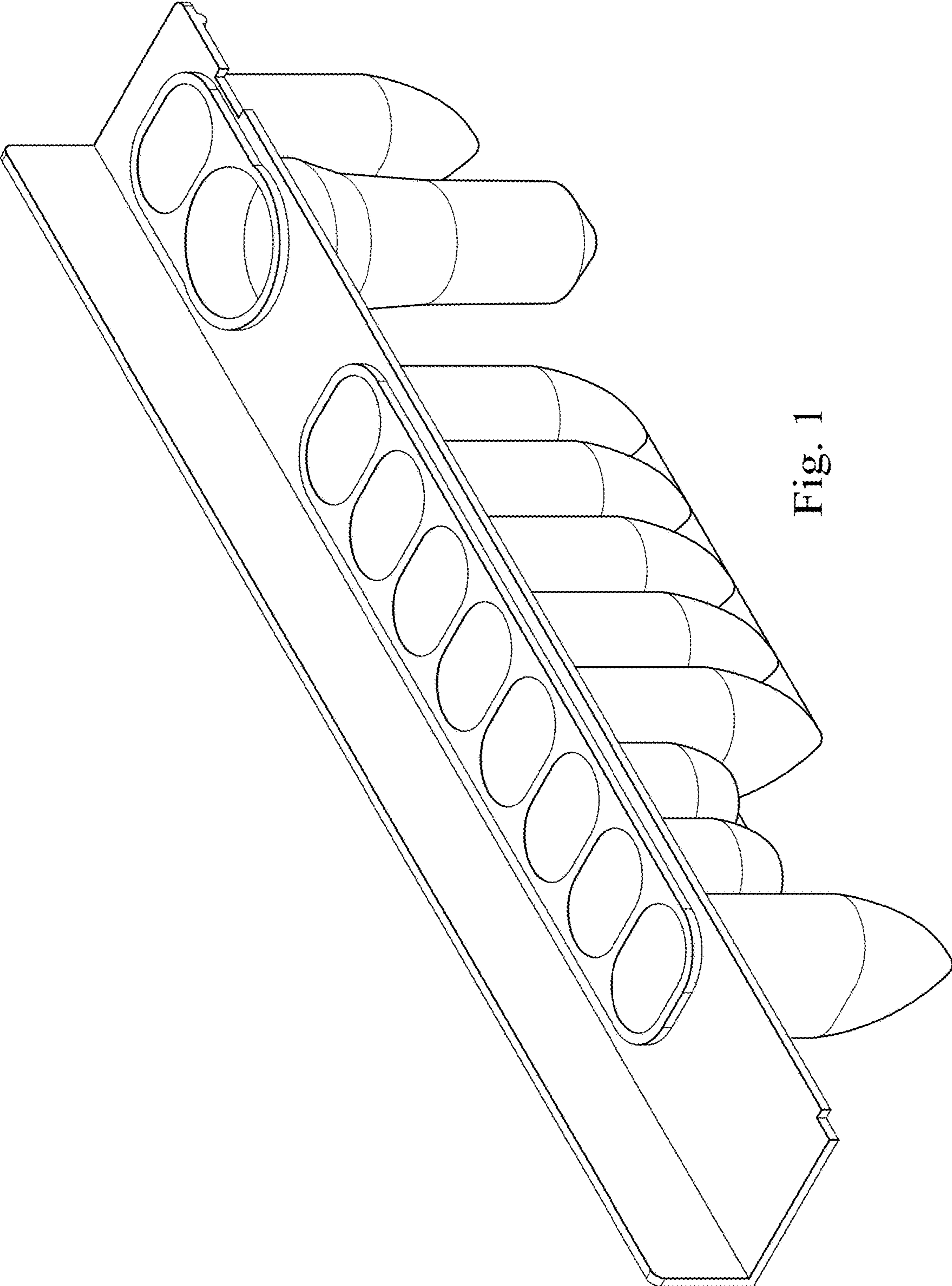


Fig. 1

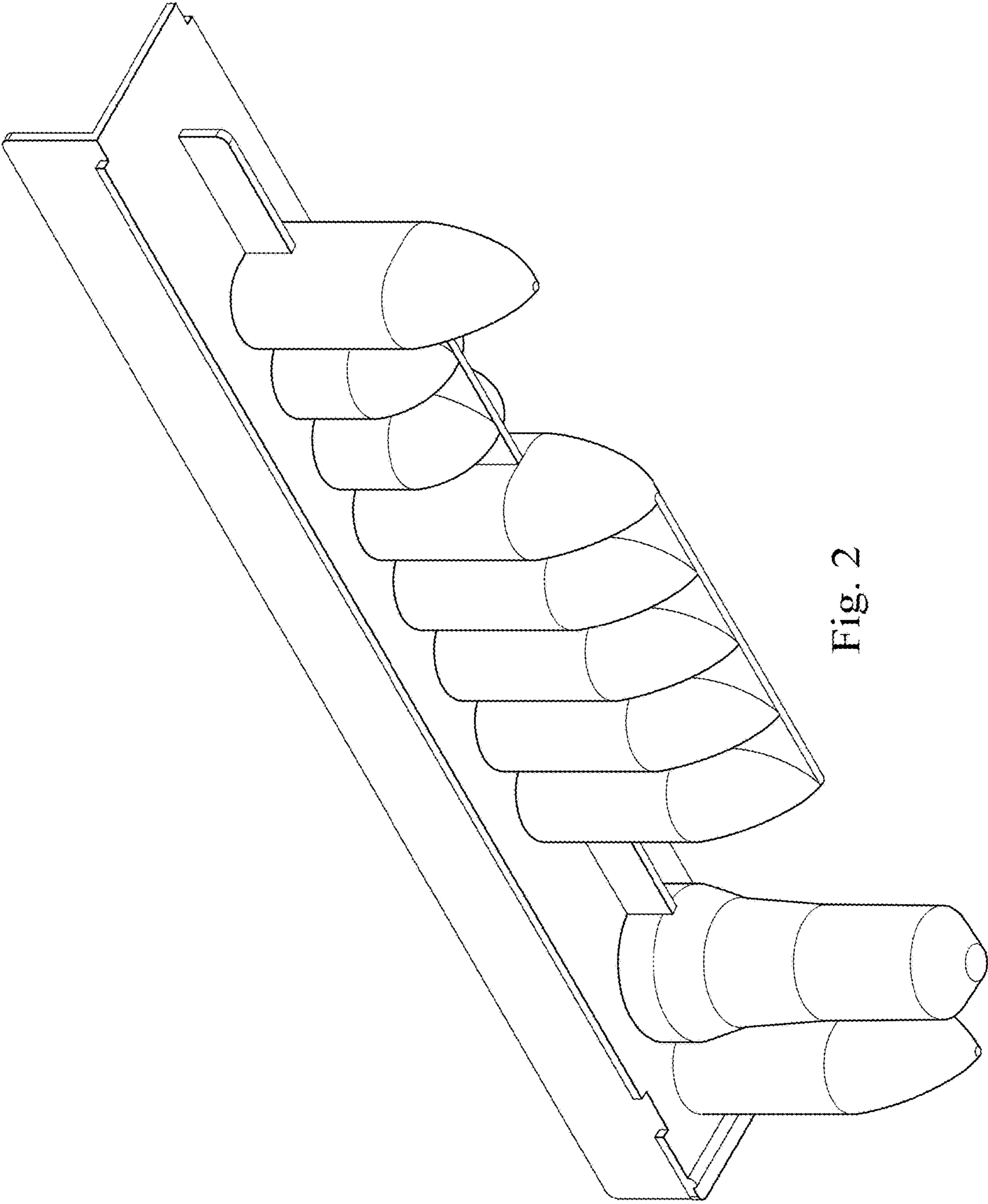


Fig. 2

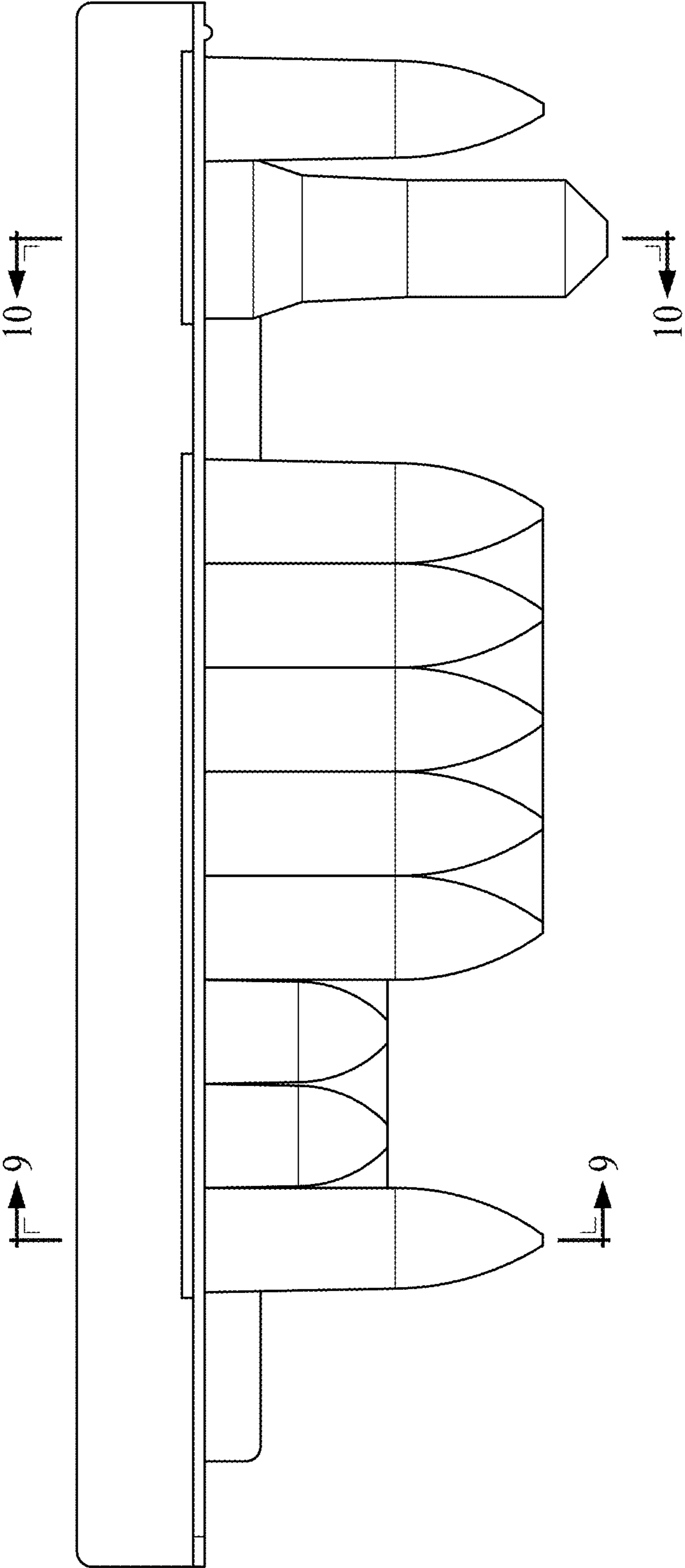


Fig. 3

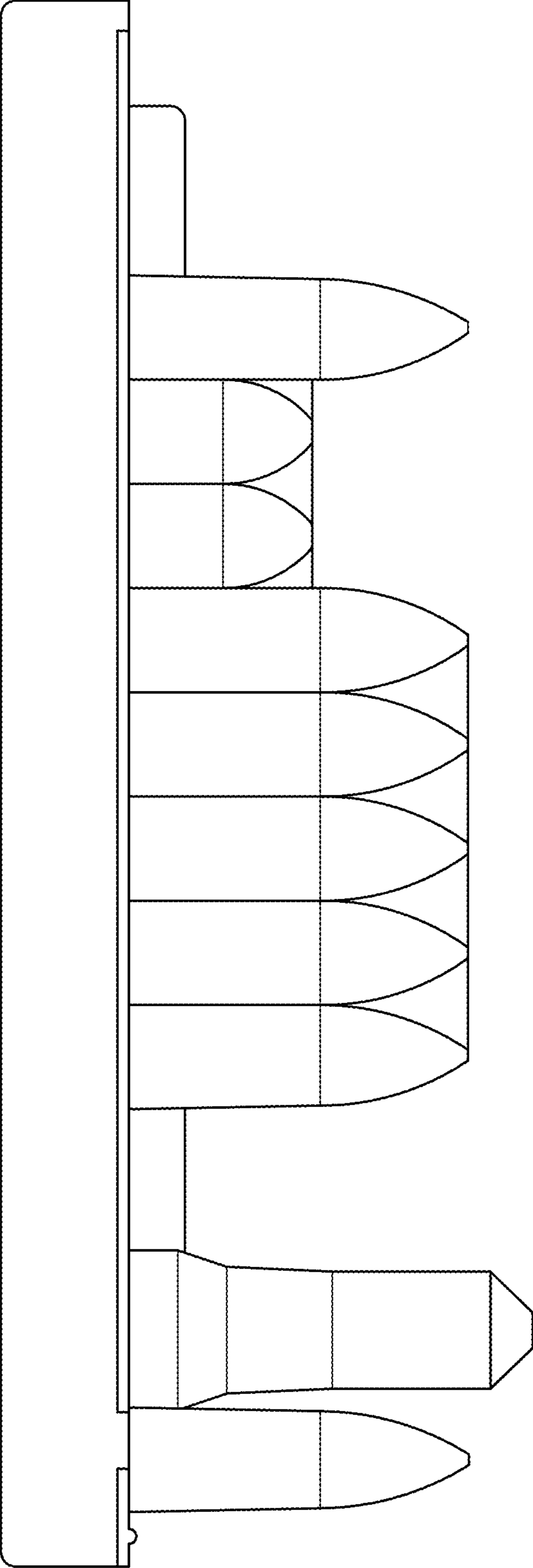


Fig. 4

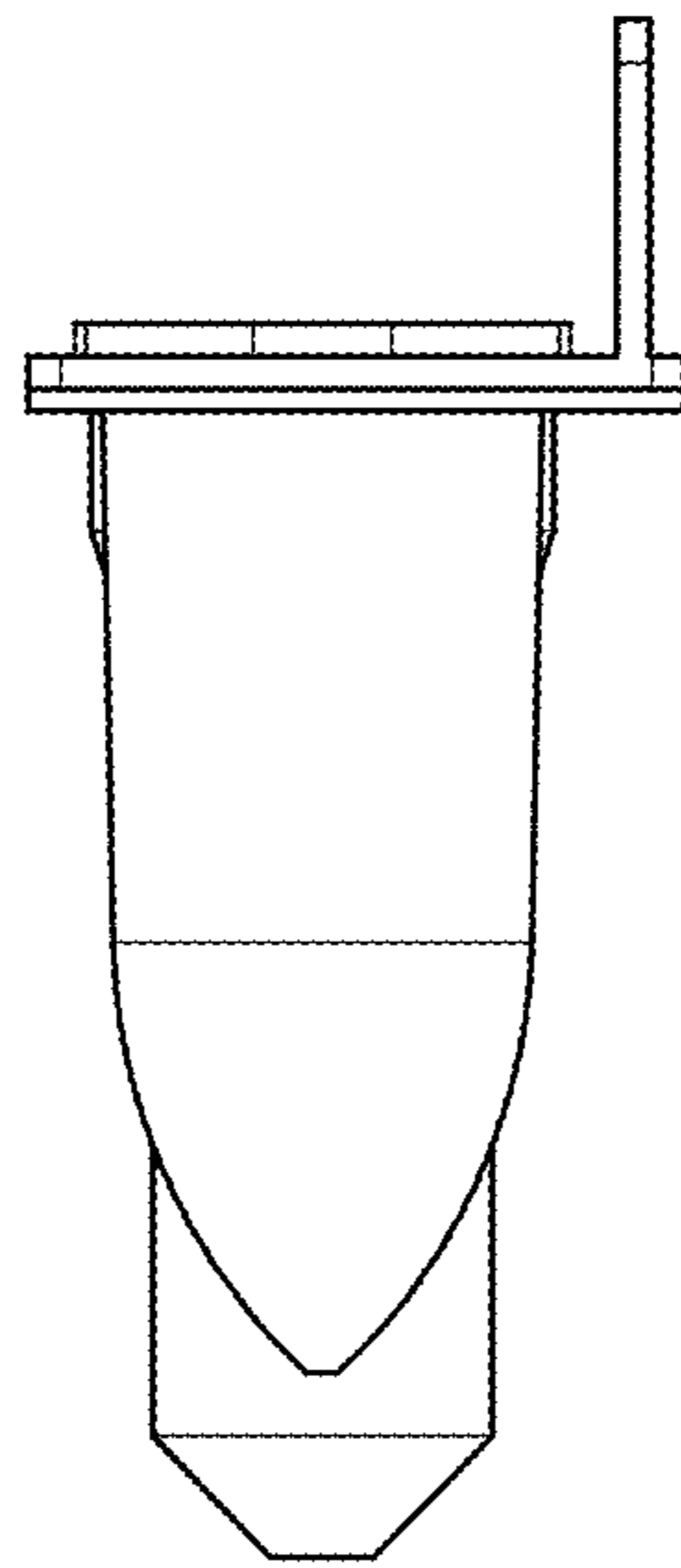


Fig. 5

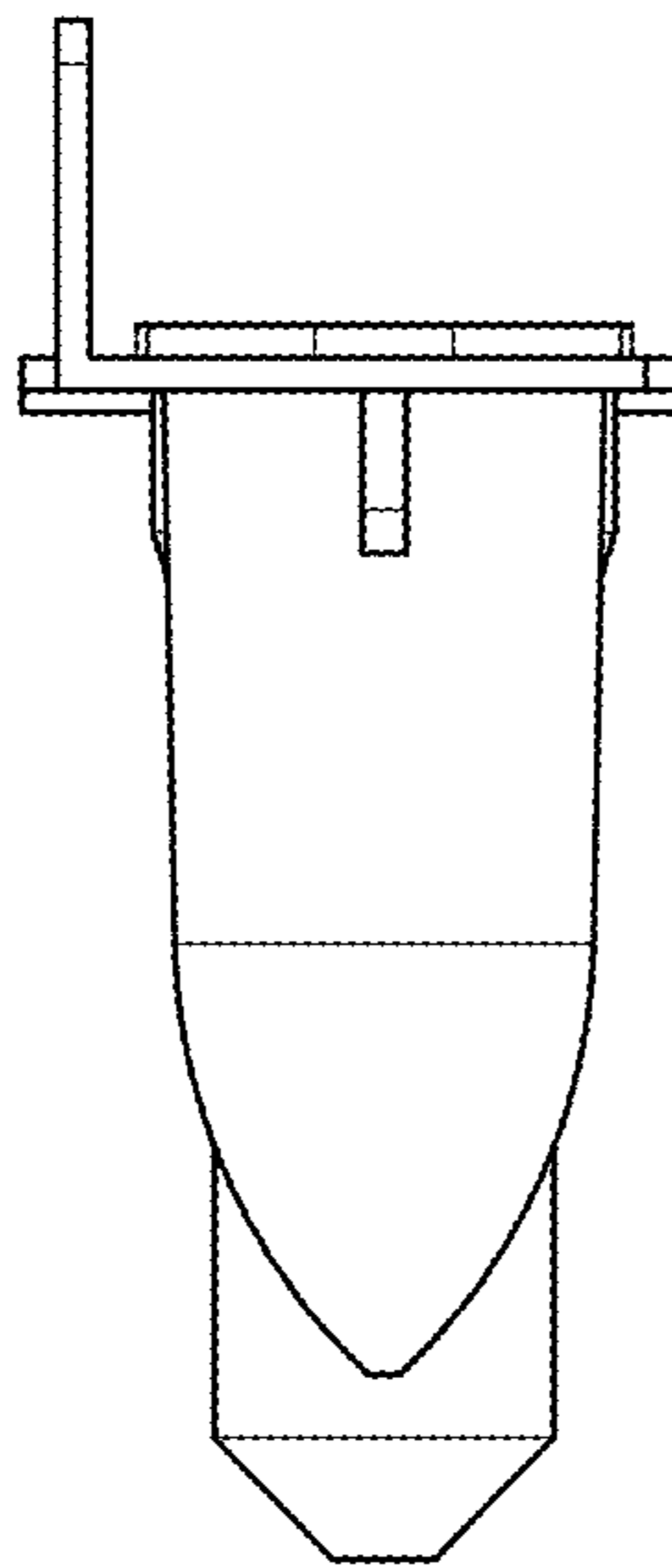


Fig. 6

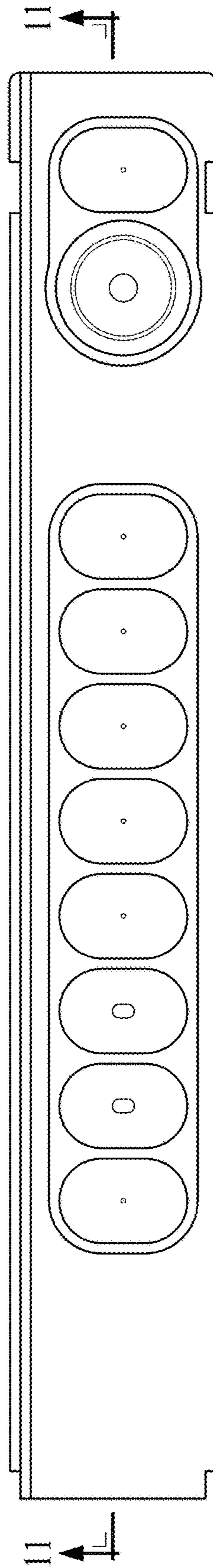


Fig. 7

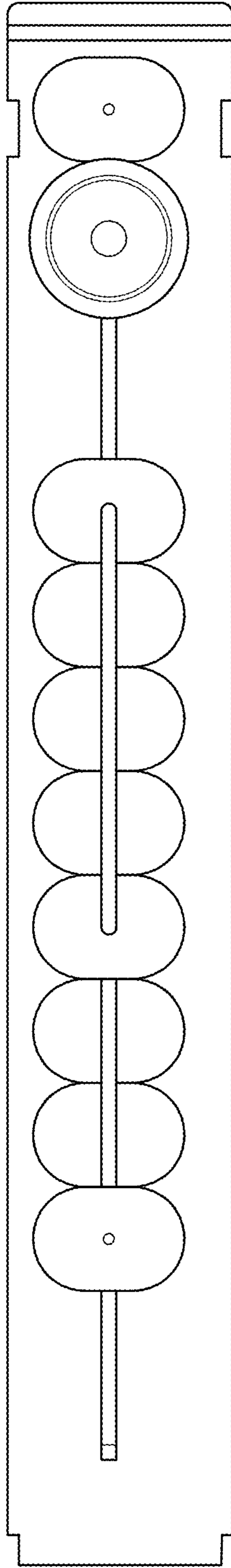


Fig. 8

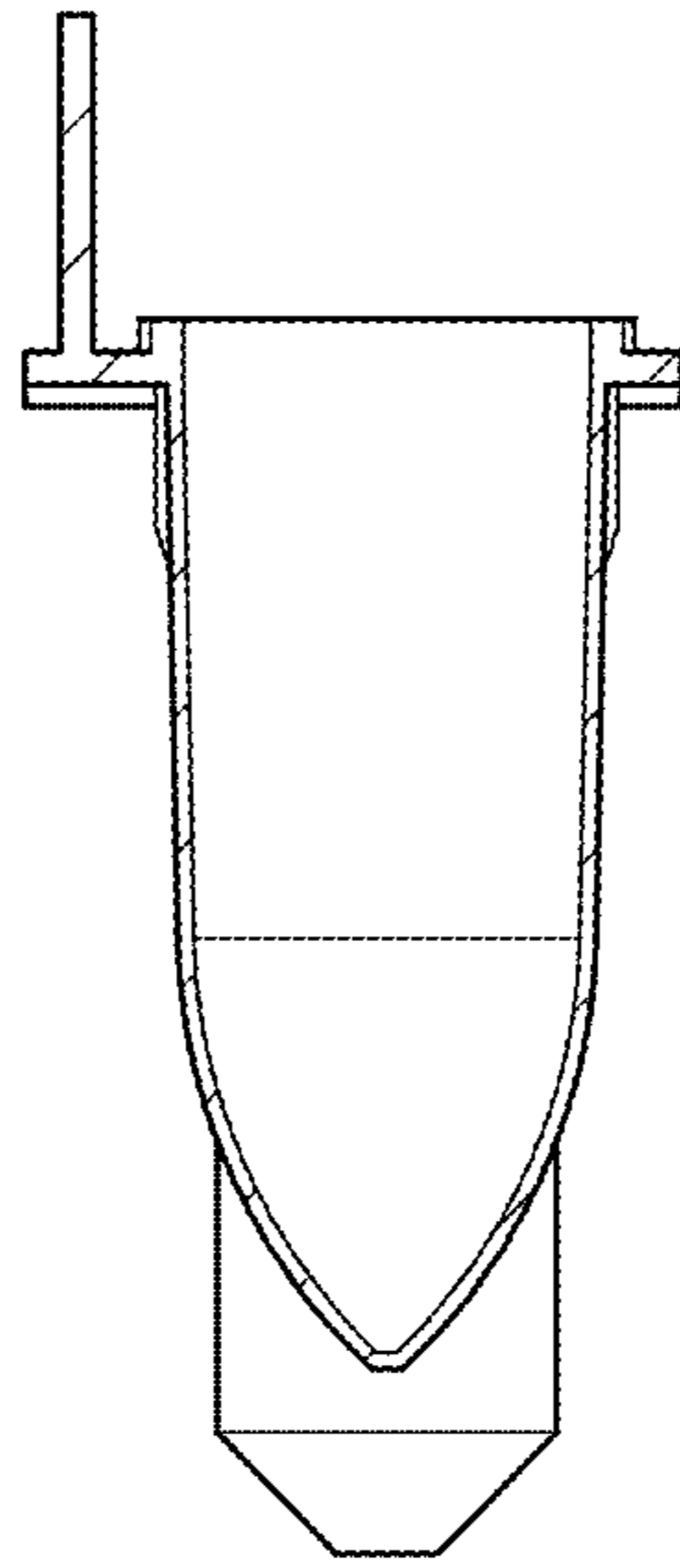


Fig. 9

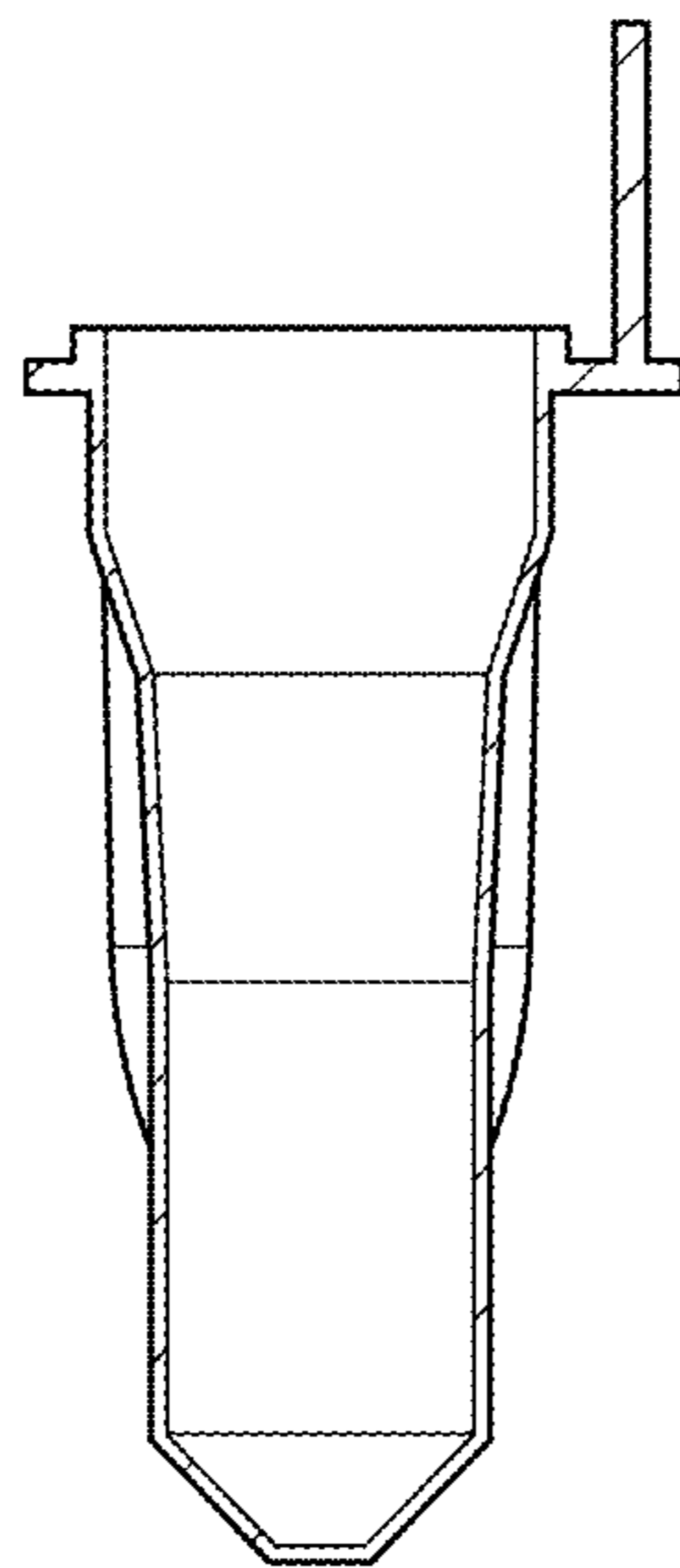


Fig. 10

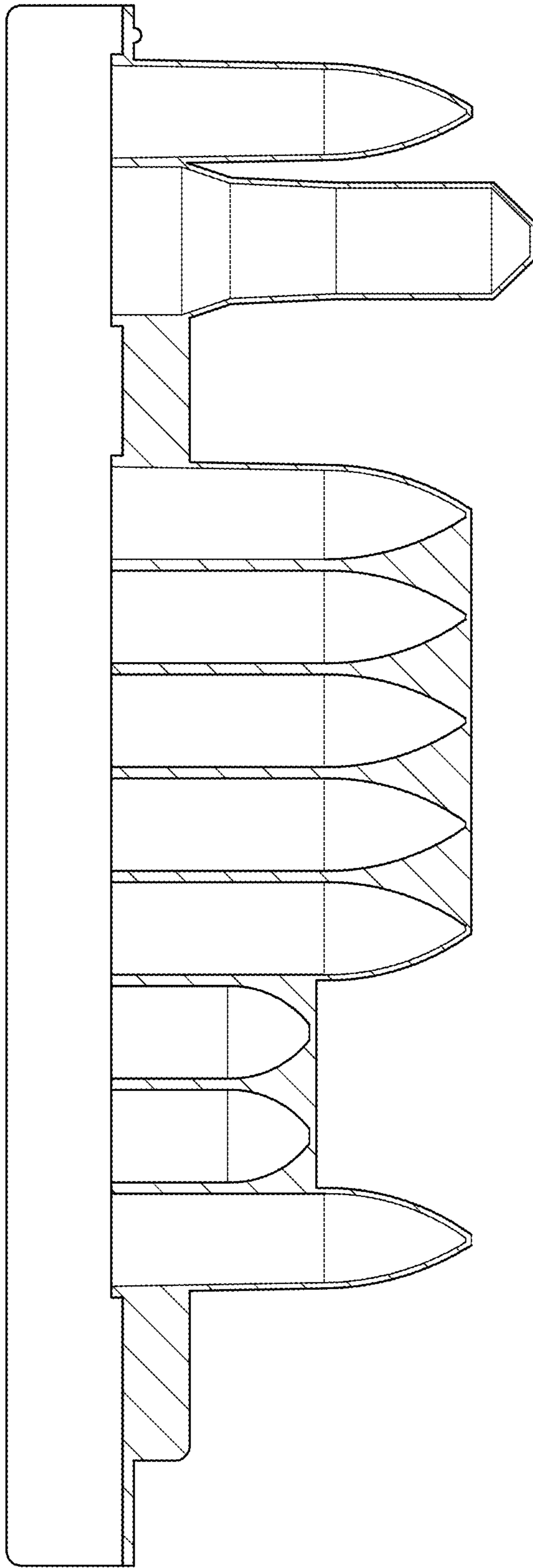


Fig. 11