



US00D792979S

(12) **United States Design Patent**
Ma

(10) **Patent No.:** **US D792,979 S**
(45) **Date of Patent:** **** Jul. 25, 2017**

(54) **HAND MASSAGER**
(71) Applicant: **SHENZHEN BREO TECHNOLOGY CO., LTD.**, Shenzhen (CN)
(72) Inventor: **Xuejun Ma**, Shenzhen (CN)
(73) Assignee: **SHENZHEN BREO TECHNOLOGY CO., LTD.**, Shenzhen, Guangdong (CN)
(**) Term: **15 Years**
(21) Appl. No.: **29/529,944**

D437,938 S * 2/2001 Ko D24/200
6,572,569 B2 * 6/2003 Klein A44C 15/0035
601/69
D484,605 S * 12/2003 Cook D24/200
D597,215 S * 7/2009 Wu D24/215
D611,159 S * 3/2010 Cole D24/200
D611,161 S * 3/2010 Wu D24/215
D620,597 S * 7/2010 Cole D24/200
D629,528 S * 12/2010 Adkisson D24/215
D638,132 S * 5/2011 Cole D24/200
D717,458 S * 11/2014 Chen D24/215
D722,383 S * 2/2015 Cole D24/200
D738,517 S * 9/2015 Karim D24/200

* cited by examiner

(22) Filed: **Jun. 11, 2015**
(30) **Foreign Application Priority Data**
Jan. 23, 2015 (CN) 2015 3 0021293

Primary Examiner — Sandra Snapp
(74) *Attorney, Agent, or Firm* — Hamre, Schumann, Mueller & Larson, P.C.

(51) **LOC (10) Cl.** **28-03**
(52) **U.S. Cl.**
USPC **D24/215**
(58) **Field of Classification Search**
USPC D24/200, 211, 212, 213, 214, 215;
601/112, 113, 118, 120, 123, 125, 128,
601/129, 131, 134, 135, DIG. 14,
601/DIG. 15, DIG. 17
CPC A61H 19/30; A61H 19/32; A61H 19/34;
A61H 19/40; A61H 19/44; A61H 19/50;
A61H 19/00; A61H 2201/0153; A61H
2201/0207; A61H 2201/0263; A61H
2201/0111; A61H 2201/1253; A61H
2205/082; A61H 2205/085; A61H
15/0085
See application file for complete search history.

(57) **CLAIM**

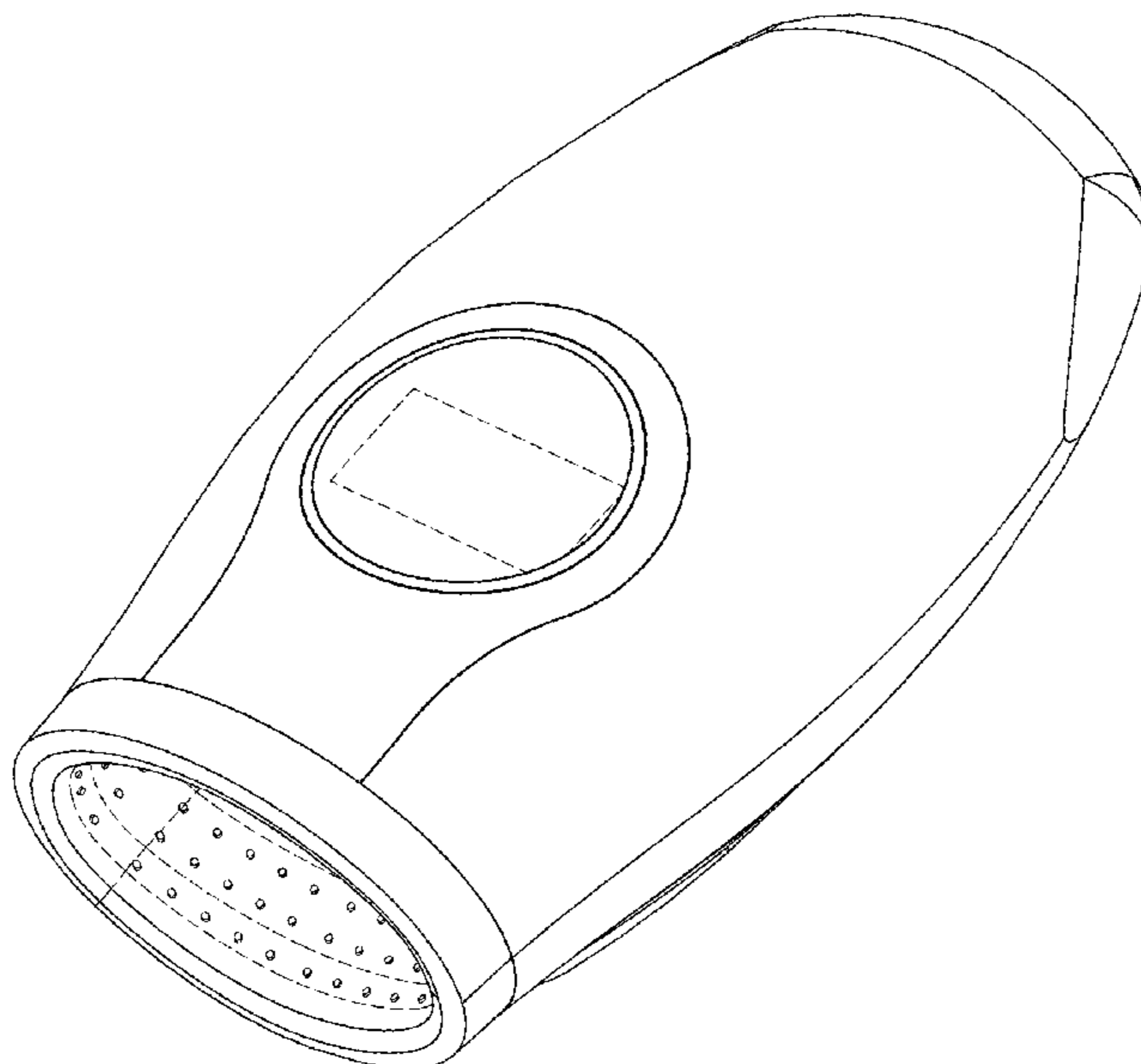
The ornamental design for a “hand massager,” as shown and described.

DESCRIPTION

FIG. 1 is a perspective view of the hand massager;
FIG. 2 is a front view of the hand massager;
FIG. 3 is a rear view of the hand massager;
FIG. 4 is a left side view of the hand massager;
FIG. 5 is a right side view of the hand massager;
FIG. 6 is a top view of the hand massager; and
FIG. 7 is a bottom view of the hand massager; and,
FIG. 8 is an enlarged partial view of the hand massager
identified by circle VIII in FIG. 7.
The broken lines showing in the figures are for illustrative
purposes only and form no part of the claimed design.

(56) **References Cited**
U.S. PATENT DOCUMENTS
6,119,038 A * 9/2000 Cook A61N 1/044
604/20

1 Claim, 8 Drawing Sheets



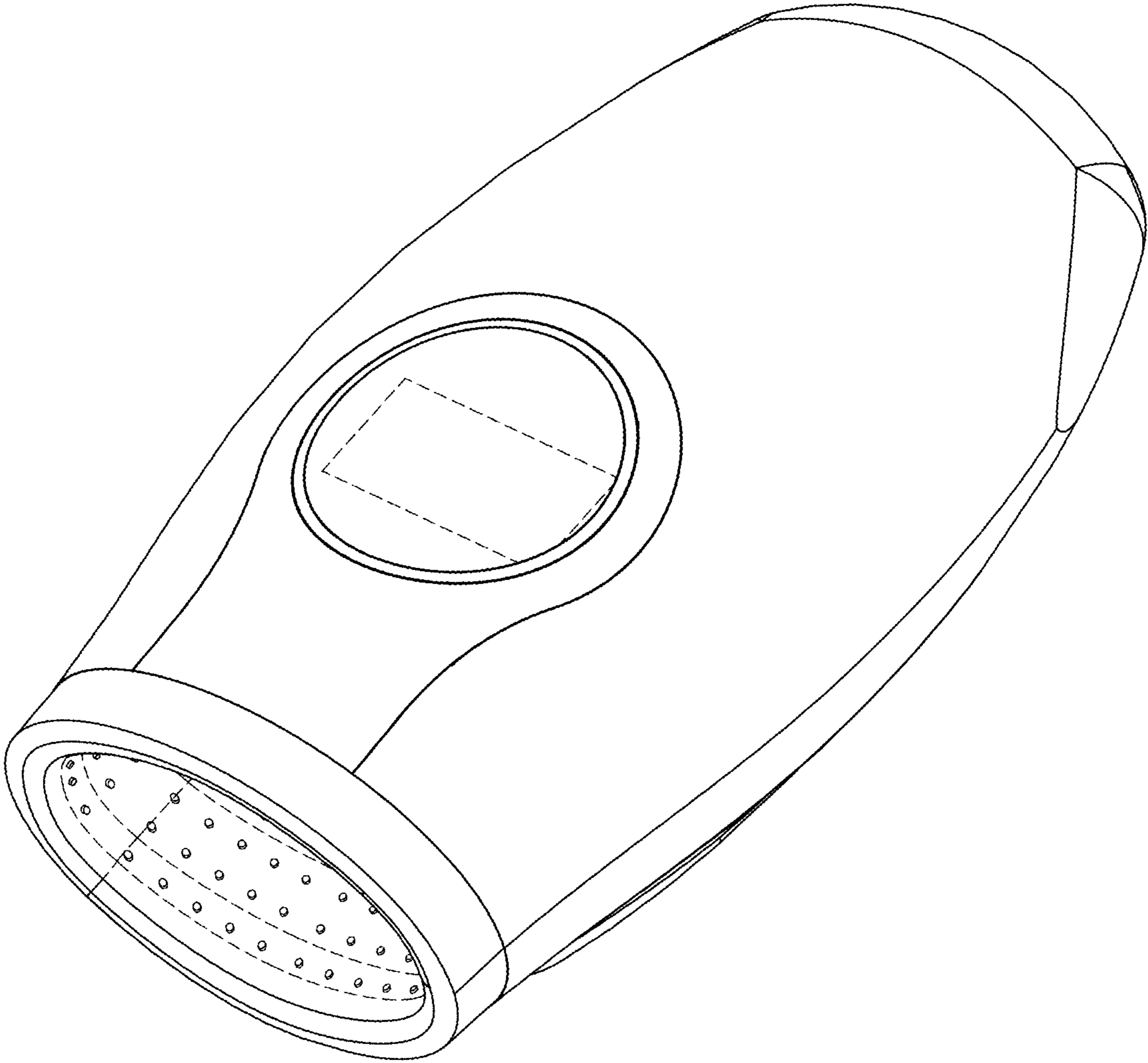


FIG. 1

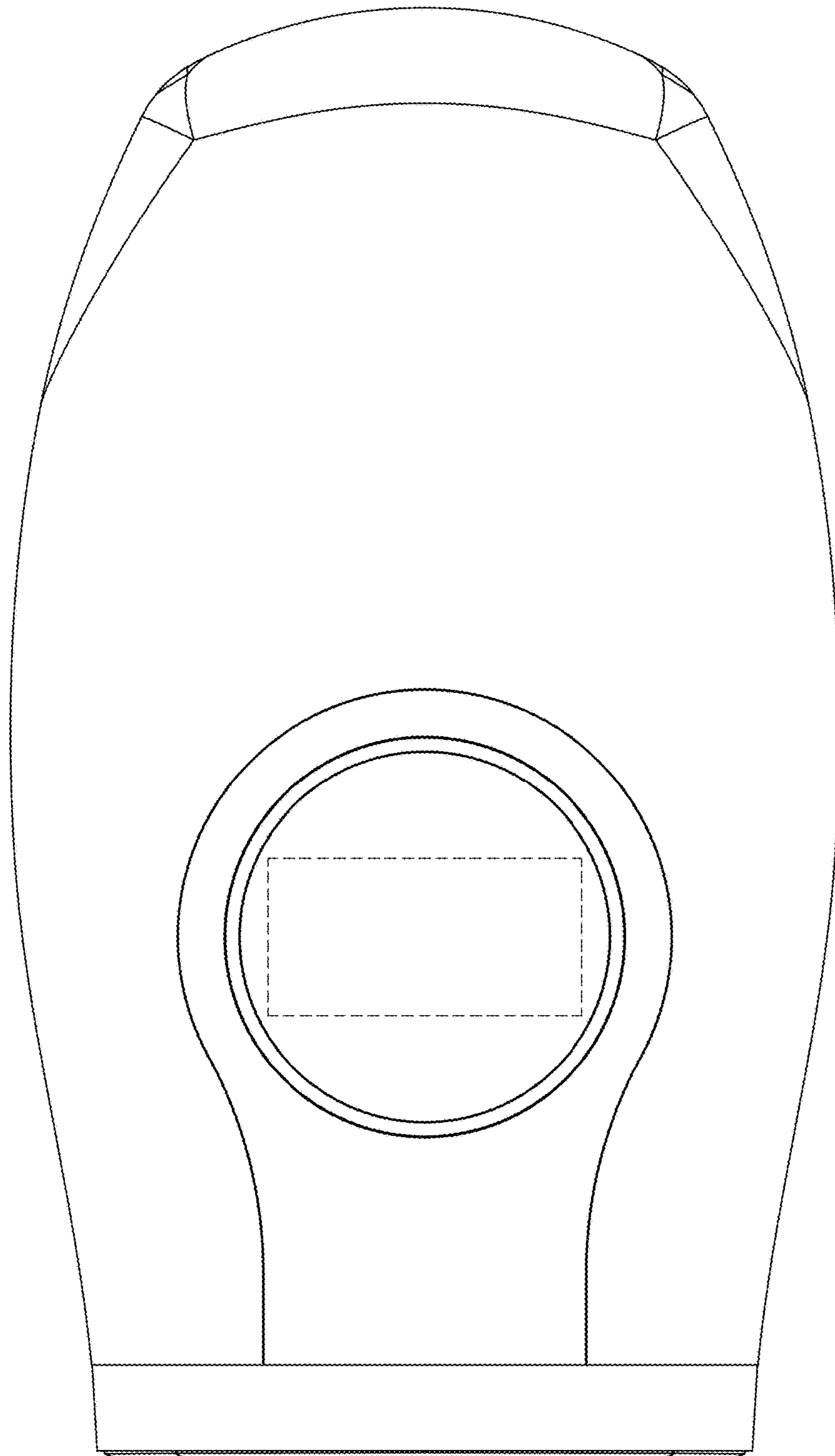


FIG.2

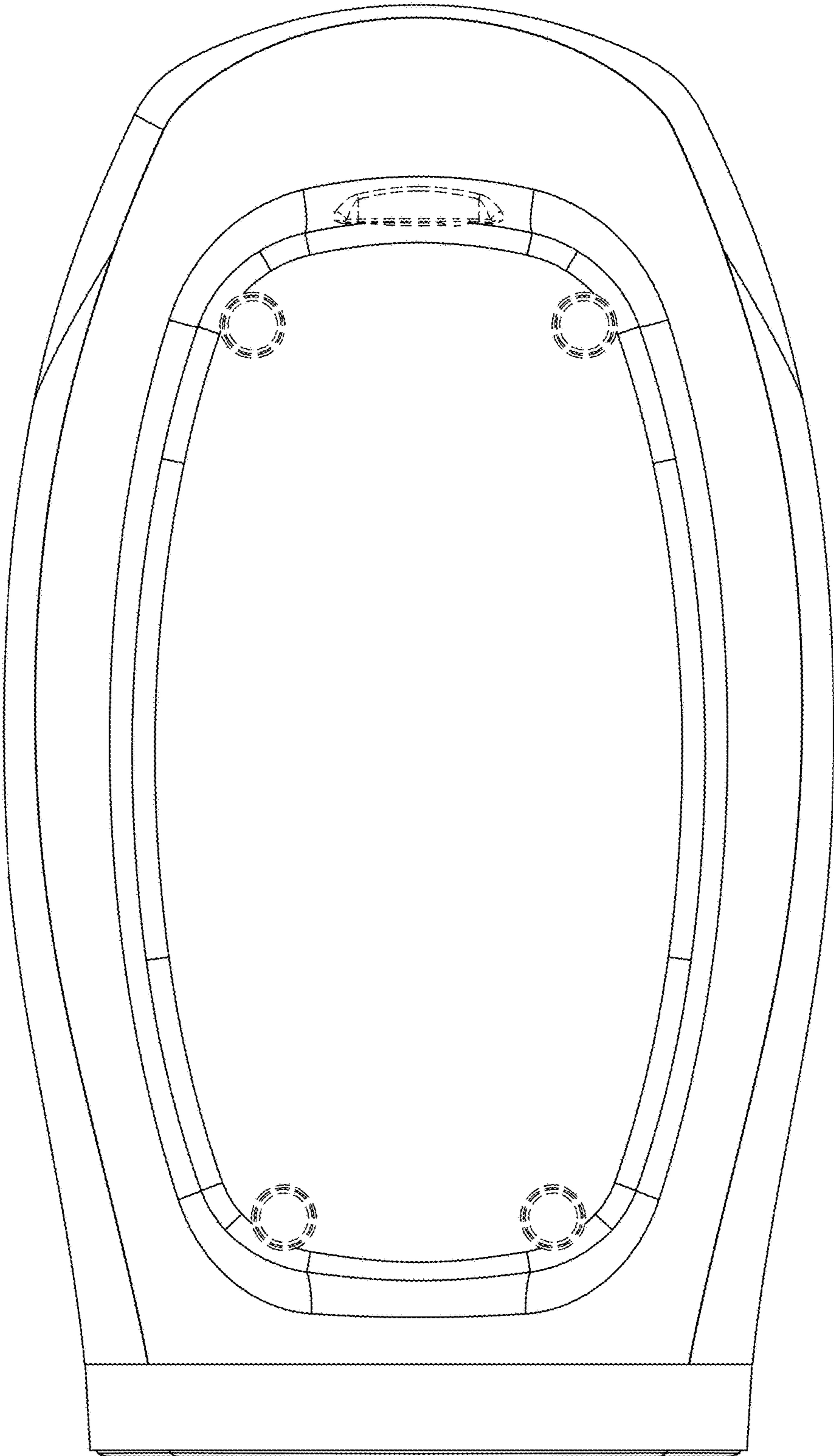


FIG.3

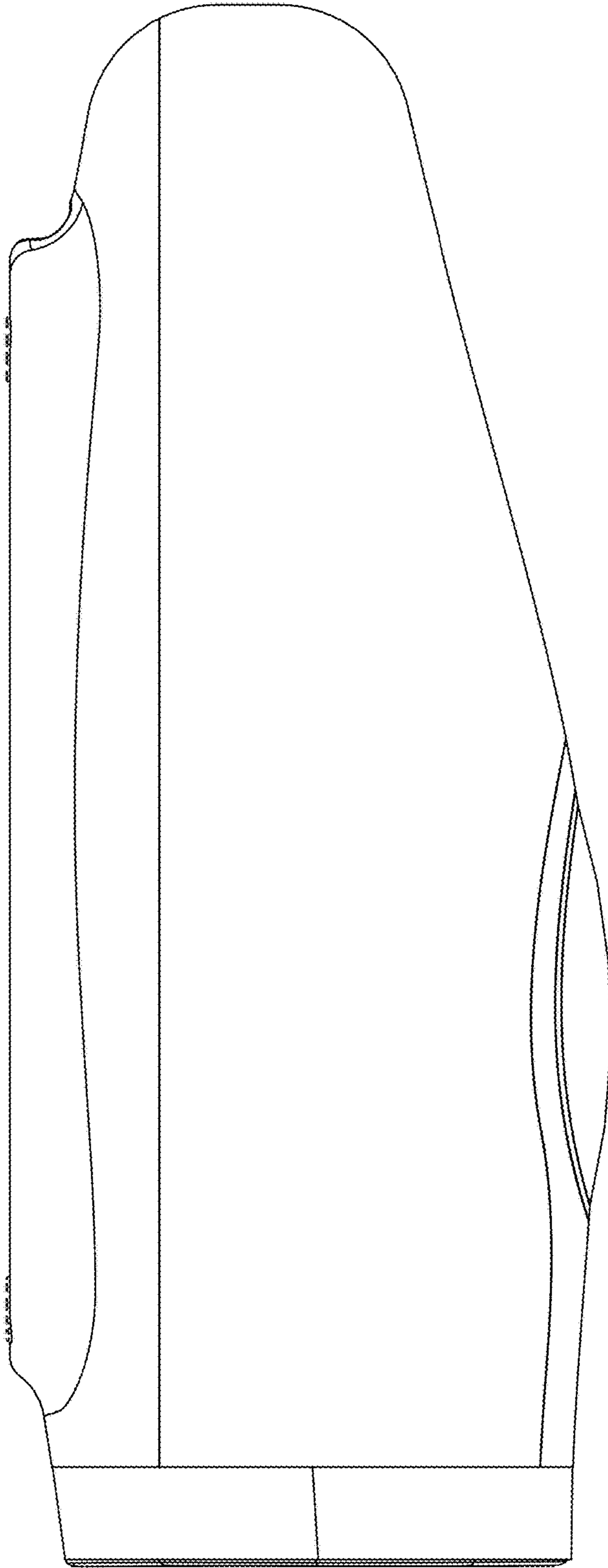


FIG.4

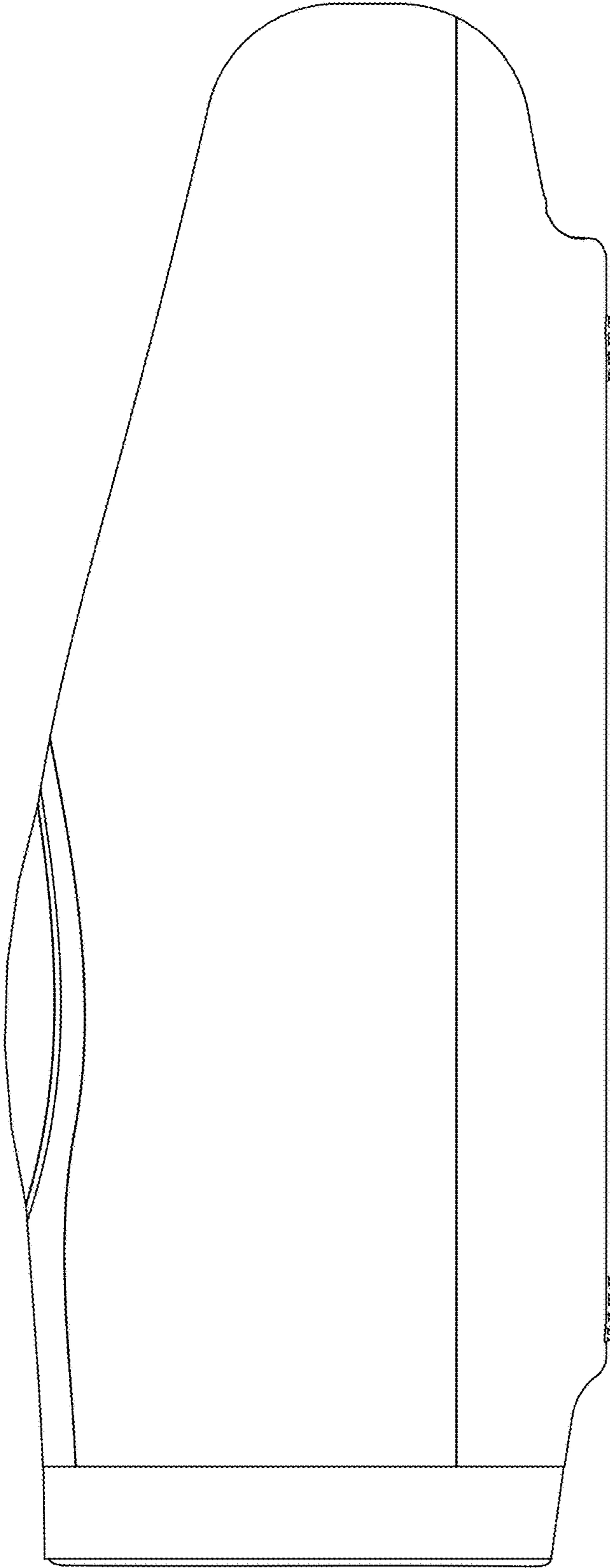


FIG. 5

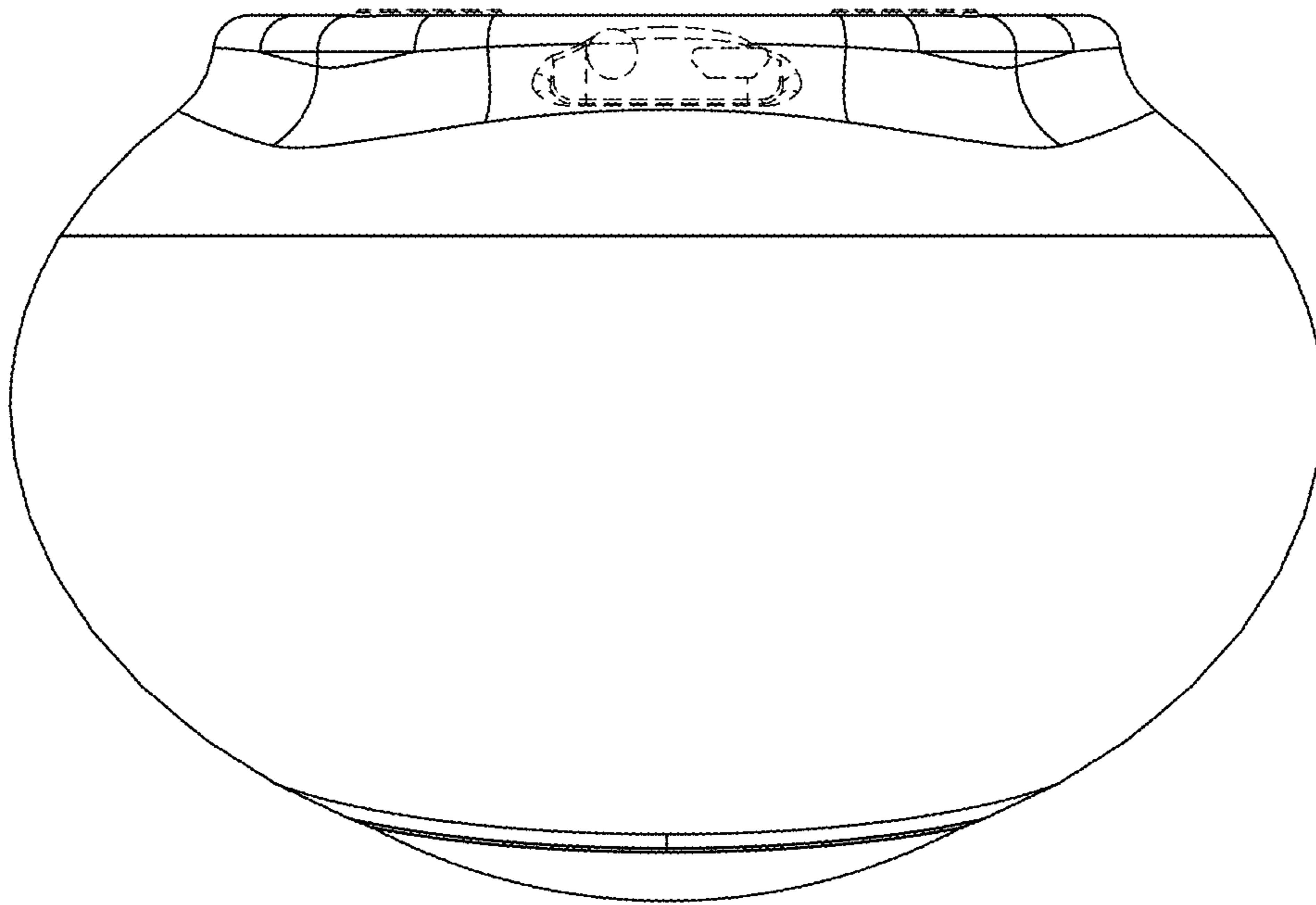


FIG.6

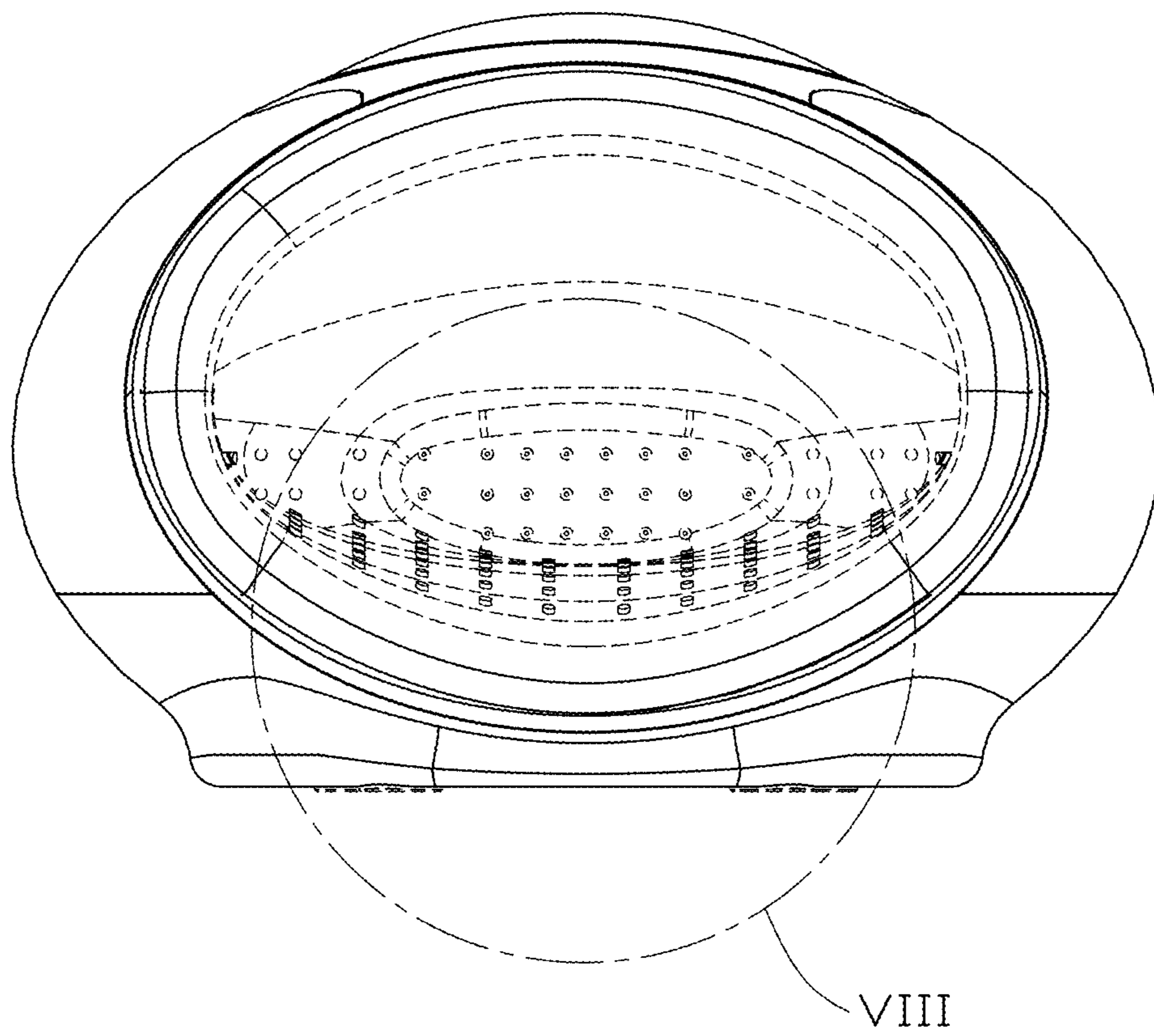


FIG.7

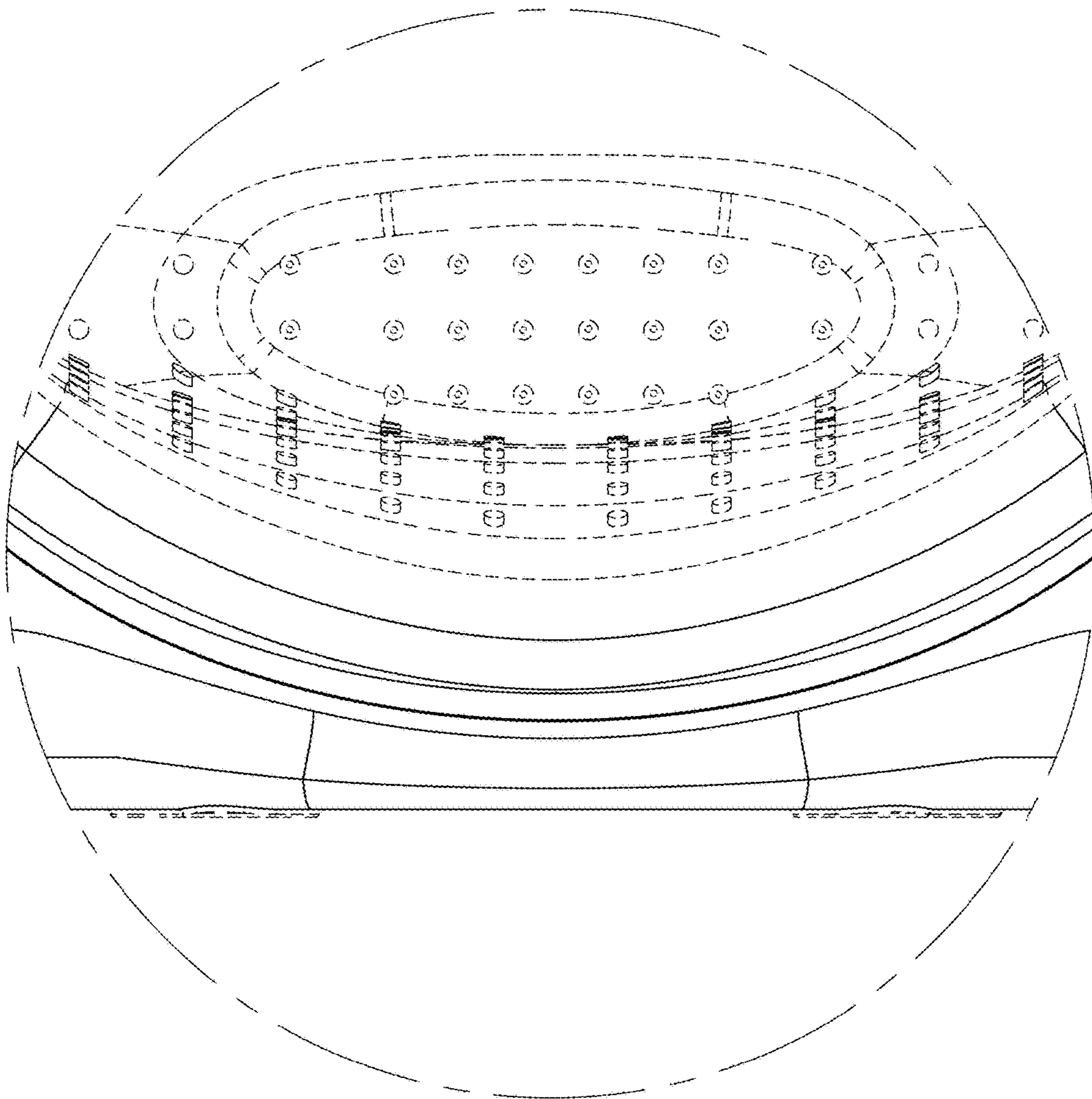


FIG.8