



US00D792976S

(12) **United States Design Patent** (10) **Patent No.:** **US D792,976 S**
Krause (45) **Date of Patent:** **** Jul. 25, 2017**

(54) **EKG VIEWING TOOL**
(71) Applicant: **Gary Krause**, Racine, WI (US)
(72) Inventor: **Gary Krause**, Racine, WI (US)
(73) Assignee: **EKG Concepts, LLC**, Racine, WI (US)

D450,608 S * 11/2001 Proctor D10/64
6,354,985 B2 3/2002 Huber
D456,910 S 5/2002 Clark et al.
6,406,922 B2 6/2002 Casterlin et al.
6,746,052 B1 6/2004 Reynolds
D514,699 S 2/2006 Beckwith
D561,187 S 2/2008 Kunioka et al.
(Continued)

(**) Term: **15 Years**

OTHER PUBLICATIONS

(21) Appl. No.: **29/554,997**

U.S. Appl. No. 29/490,988, filed May 15, 2014, Gary Krause.

(22) Filed: **Feb. 17, 2016**

(Continued)

Related U.S. Application Data

(63) Continuation-in-part of application No. 29/490,988, filed on May 15, 2014, now Pat. No. Des. 755,978.

Primary Examiner — Wan Laymon

Assistant Examiner — Mark Booker

(51) **LOC (10) Cl.** **24-01**

(74) *Attorney, Agent, or Firm* — Reinhart Boerner Van Deuren s.c.

(52) **U.S. Cl.**

USPC **D24/187**

(58) **Field of Classification Search**

USPC D24/186, 140, 165, 166, 167, 168;

D10/64, 65; D19/59, 62; D20/40

CPC A61B 5/04023; A61B 5/044; G09F 3/00;

G09F 2003/0247

See application file for complete search history.

(57) **CLAIM**

I claim the ornamental design for an EKG viewing tool, as shown and described.

DESCRIPTION

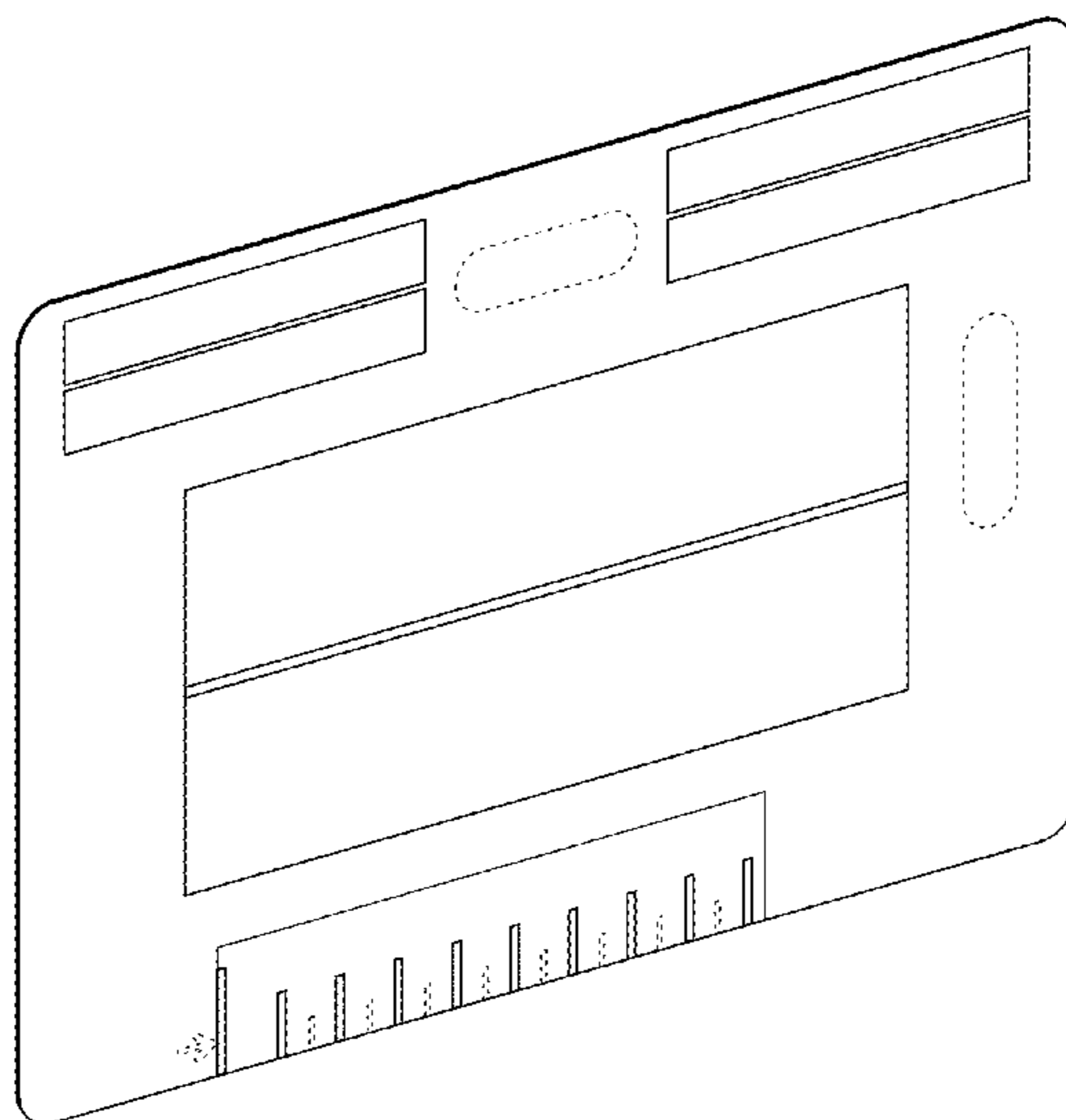
(56) **References Cited**

U.S. PATENT DOCUMENTS

D215,649 S 10/1969 MacLachlan et al.
3,792,542 A 2/1974 Cohan
4,165,890 A 8/1979 Leff
D260,153 S 8/1981 Koltys
D334,597 S 4/1993 Busquets
D379,657 S * 6/1997 Pretel D10/65
5,636,873 A 6/1997 Sonstebly
5,713,739 A 2/1998 Yu
D396,882 S 8/1998 Neal, Jr.
D412,208 S 7/1999 Nelson
5,984,368 A 11/1999 Cain
5,984,685 A 11/1999 Portnoy
6,024,571 A 2/2000 Renegar

FIG. 1 is a front perspective view of the claimed design;
FIG. 2 is a rear perspective view of the claimed design of FIG. 1;
FIG. 3 is a front view of the claimed design of FIG. 1;
FIG. 4 is a rear view of the claimed design of FIG. 1;
FIG. 5 is a top view of the claimed design of FIG. 1;
FIG. 6 is a bottom view of the claimed design of FIG. 1;
FIG. 7 is a right side view of the claimed design of FIG. 1;
and,
FIG. 8 is a left side view of the claimed design of FIG. 1.
The ornamental design which is claimed is shown in solid lines in the drawings.
The broken lines shown in the figures represent portions of the EKG viewing tool that form no part of the claimed design.

1 Claim, 6 Drawing Sheets



(56)

References Cited

U.S. PATENT DOCUMENTS

D587,145 S 2/2009 Nakatsubo et al.
 D588,029 S 3/2009 Nakatsubo et al.
 D589,380 S 3/2009 Nakatsubo et al.
 D593,613 S 6/2009 Langan
 D596,965 S 7/2009 Nakatsubo et al.
 D613,419 S 4/2010 Coyne, III et al.
 D636,023 S 4/2011 Krause
 D640,941 S * 7/2011 Tucker D10/64
 D659,189 S 5/2012 Krause
 D697,437 S * 1/2014 Tetrault D10/64
 D707,292 S 6/2014 Krause
 D707,753 S 6/2014 Krause
 8,747,117 B2 6/2014 Krause
 D710,014 S 7/2014 Johnson
 D720,008 S 12/2014 Krause
 D724,143 S 3/2015 Krause et al.
 D726,257 S 4/2015 Krause
 D733,306 S 6/2015 Blankenship

9,226,677 B2 1/2016 Krause
 D755,978 S * 5/2016 Krause D24/186
 2002/0125713 A1 9/2002 Raab
 2005/0285384 A1 12/2005 Judson
 2008/0038704 A1 2/2008 Aruffo et al.
 2008/0081322 A1 4/2008 Fosbrook
 2008/0153071 A1 6/2008 Stillman
 2012/0064496 A1 3/2012 Krause
 2013/0052624 A1 2/2013 Saps et al.

OTHER PUBLICATIONS

Basic Arrhythmia Flashcard Set, <http://www.mc.vanderbilt.edu/root/vumc/php?site=vanerbilt nursing&doc=18729>, 3 pages.
 The ECG Ruler, American Heart Association, believed to be publicly available before Sep. 2009, 1 page.
 Hawelka, "Cardiac Arrhythmia—Medical Pocket Cards," Jan. 10, 2007, in Mar. 19, 2013 Office Action in U.S. Appl. No. 12/880,544, 4 pages.

* cited by examiner

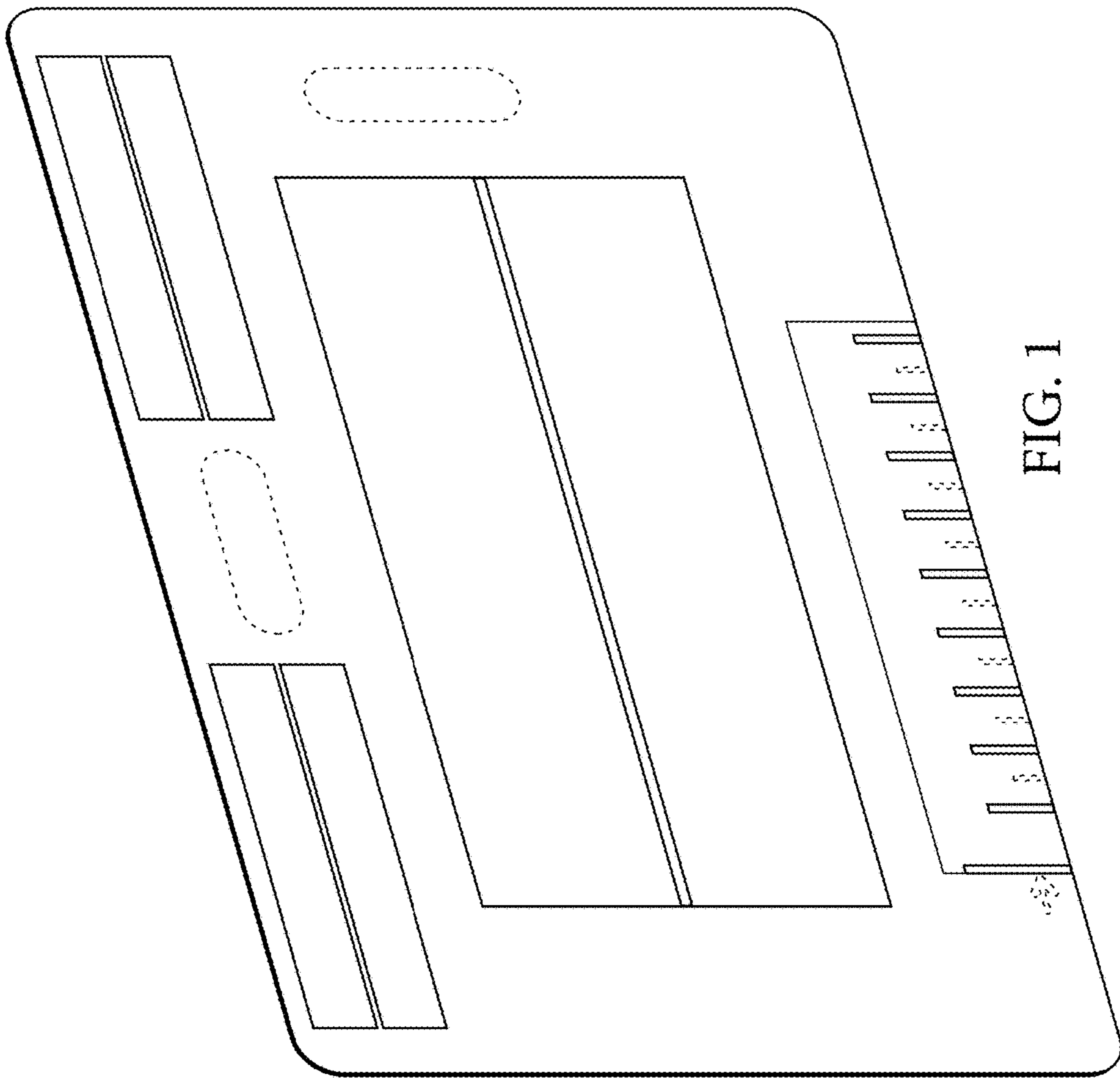


FIG. 1

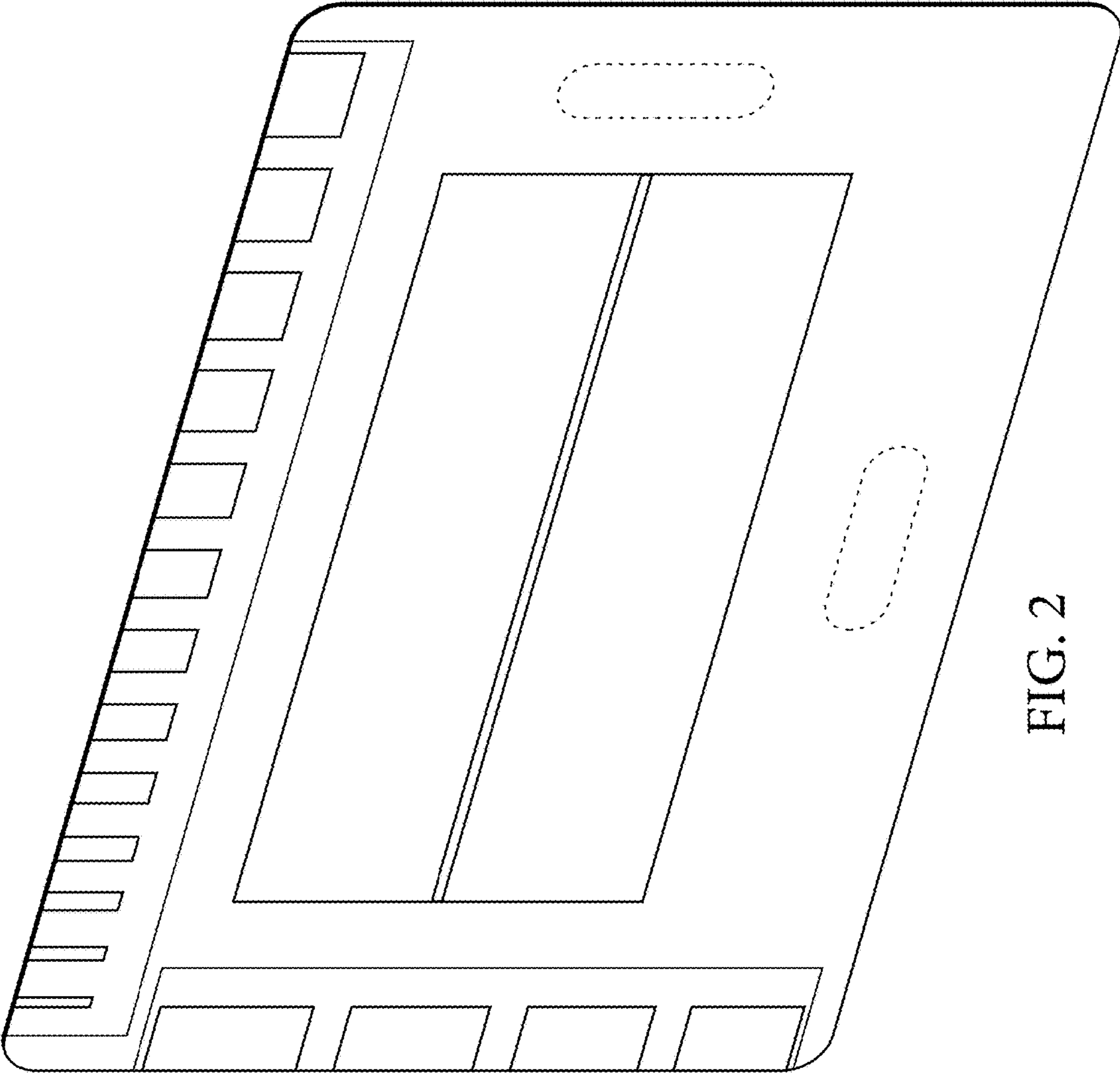


FIG. 2

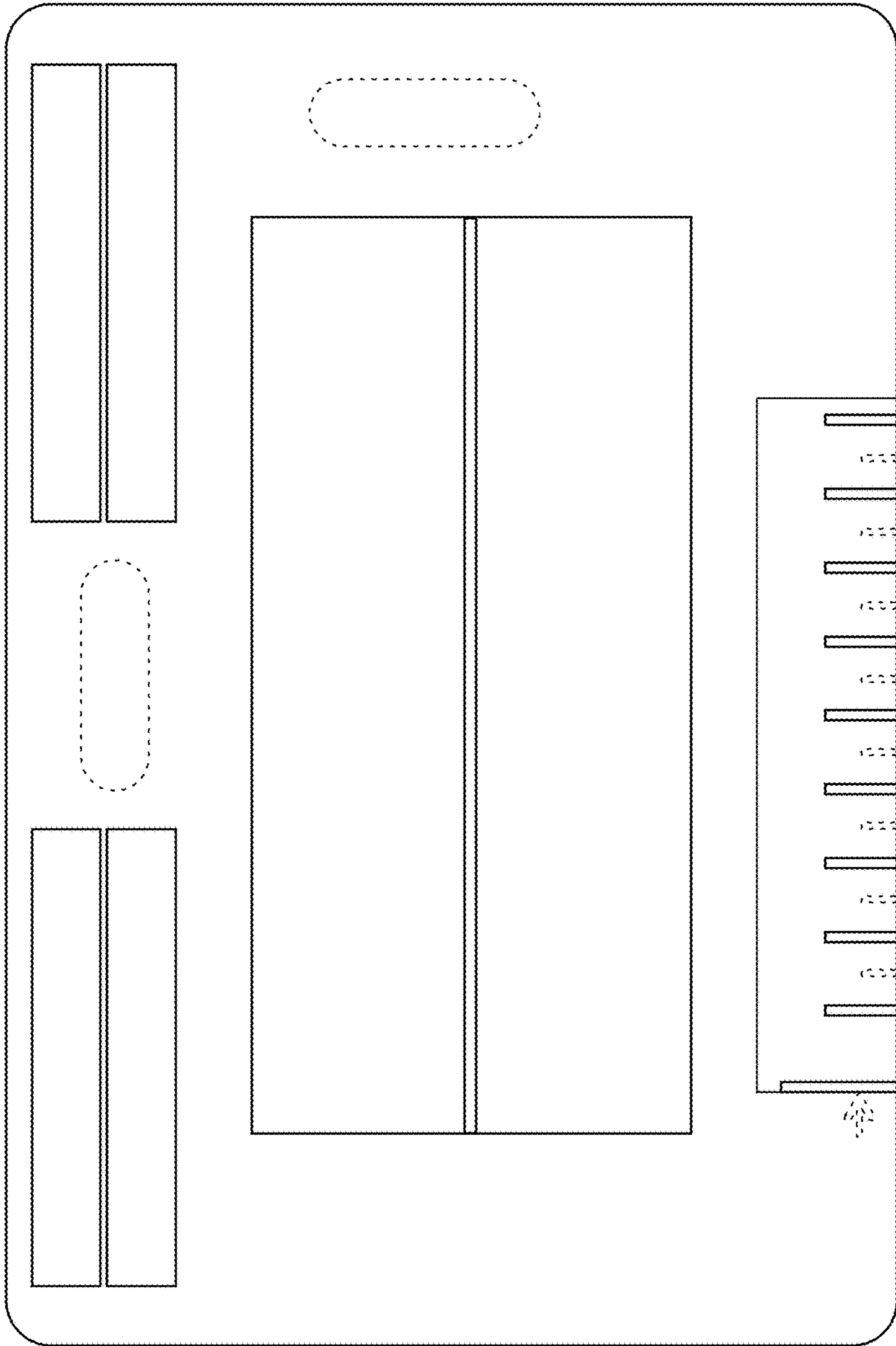


FIG. 3

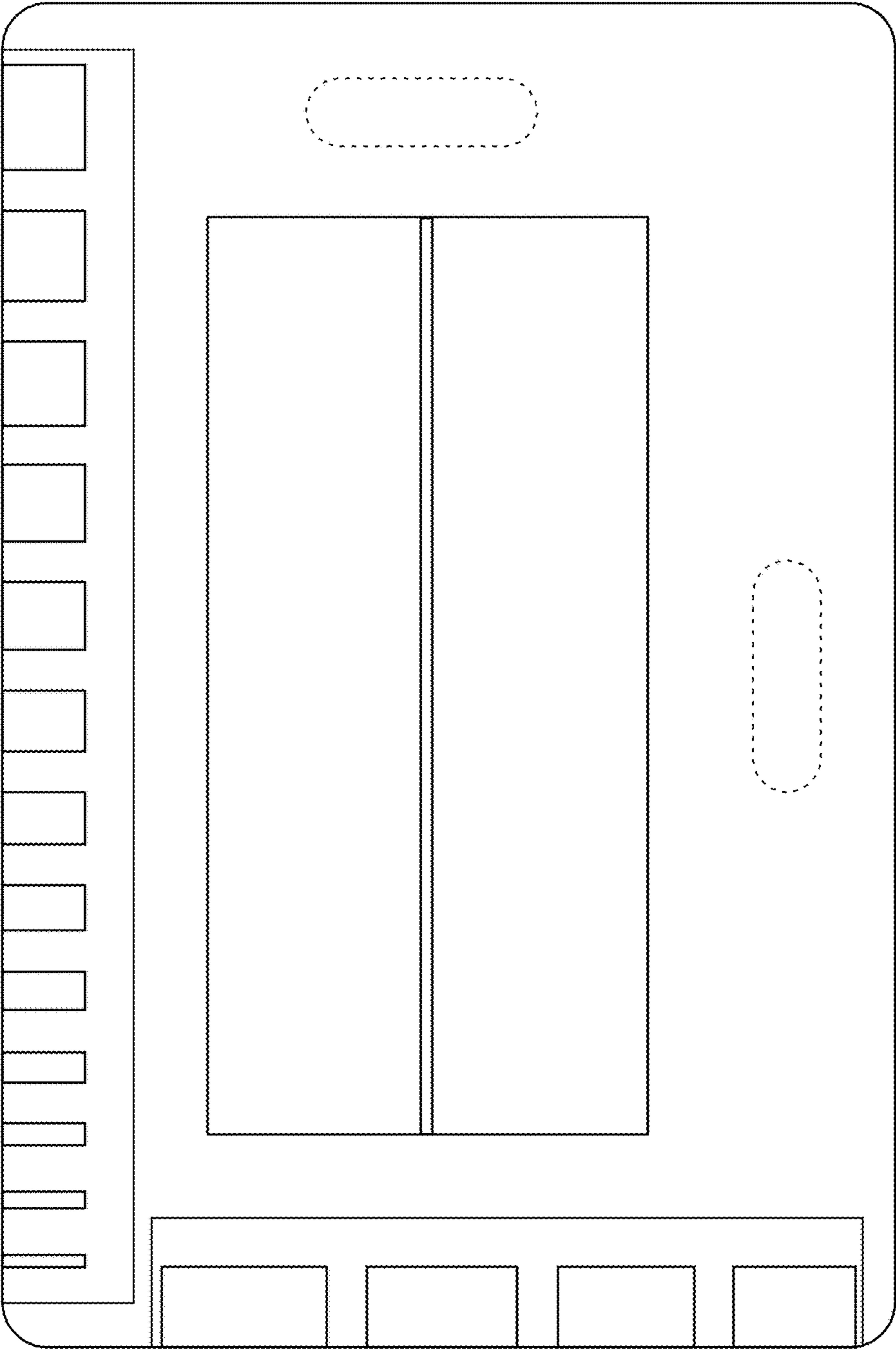


FIG. 4



FIG. 5

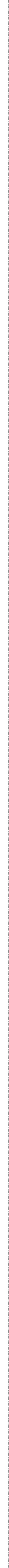


FIG. 6



FIG. 7



FIG. 8