

US00D792975S

(12) **United States Design Patent**
Lura et al.

(10) **Patent No.:** **US D792,975 S**
(45) **Date of Patent:** **** Jul. 25, 2017**

(54) **HANDLE FOR PORTABLE DIALYSIS CABINET**

(71) Applicant: **Medtronic, Inc.**, Minneapolis, MN (US)

(72) Inventors: **David B. Lura**, Maple Grove, MN (US); **Martin T. Gerber**, Maple Grove, MN (US); **Philip J D'Almada Remedios**, Palm Harbor, FL (US); **Bartosz Marek Korec**, Palm Harbor, FL (US)

(73) Assignee: **Medtronic, Inc.**, Minneapolis, MN (US)

(**) Term: **15 Years**

(21) Appl. No.: **29/530,490**

(22) Filed: **Jun. 17, 2015**

(51) **LOC (10) Cl.** **24-99**

(52) **U.S. Cl.**
USPC **D24/185**

(58) **Field of Classification Search**
USPC D24/185-186, 188; D34/12, 14, 17
CPC B62B 3/02; A61G 12/001; A61B 50/13; F16M 11/04; D06F 67/005; A47B 31/00; A47B 2031/006; A47B 3/00; A47B 3/002
See application file for complete search history.

(56) **References Cited**

U.S. PATENT DOCUMENTS

- D335,351 S * 5/1993 Melnick D24/186
- D367,347 S * 2/1996 Moudrianakis D34/12
- 6,386,558 B1 * 5/2002 Chang B62B 3/02
- D705,432 S 5/2014 Lura 280/40

- D711,543 S 8/2014 Gerber
- D713,042 S 9/2014 Gerber
- D714,455 S 9/2014 Gerber
- D714,456 S 9/2014 Lura
- D714,944 S 10/2014 Gerber
- D714,945 S 10/2014 Gerber
- D714,946 S * 10/2014 Lura D24/185
- D720,462 S 12/2014 Lura
- D721,815 S 1/2015 Lura
- D722,081 S 2/2015 Gerber
- D742,527 S 11/2015 Gerber

* cited by examiner

Primary Examiner — Wan Laymon

(74) *Attorney, Agent, or Firm* — Kenneth Collier; Roger Hahn

(57) **CLAIM**

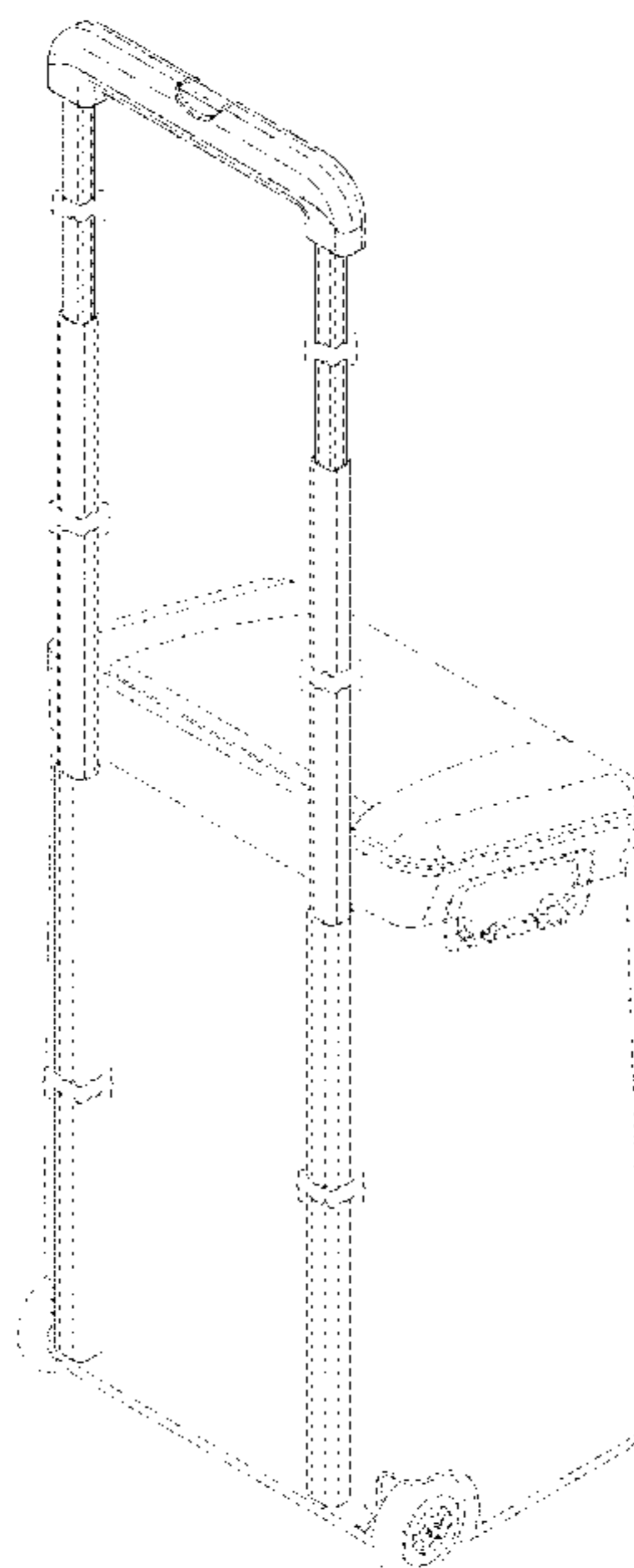
The ornamental design for a handle for portable dialysis cabinet, as shown and described.

DESCRIPTION

FIG. 1 is a perspective view of a handle for portable dialysis cabinet according to our new design; FIG. 2 is another perspective view thereof; FIG. 3 is a front view thereof; FIG. 4 is a back view thereof; FIG. 5 is a left side view thereof; FIG. 6 is a right side view thereof; FIG. 7 is an enlarged top view thereof; and, FIG. 8 is an enlarged bottom view thereof.

In the drawings, the dashed lines depict environmental subject matter only and form no part of the claimed design. The handle for portable dialysis cabinet is shown with a symbolic break in its length. The appearance of any portion of the article between the break lines forms no part of the claimed design.

1 Claim, 6 Drawing Sheets



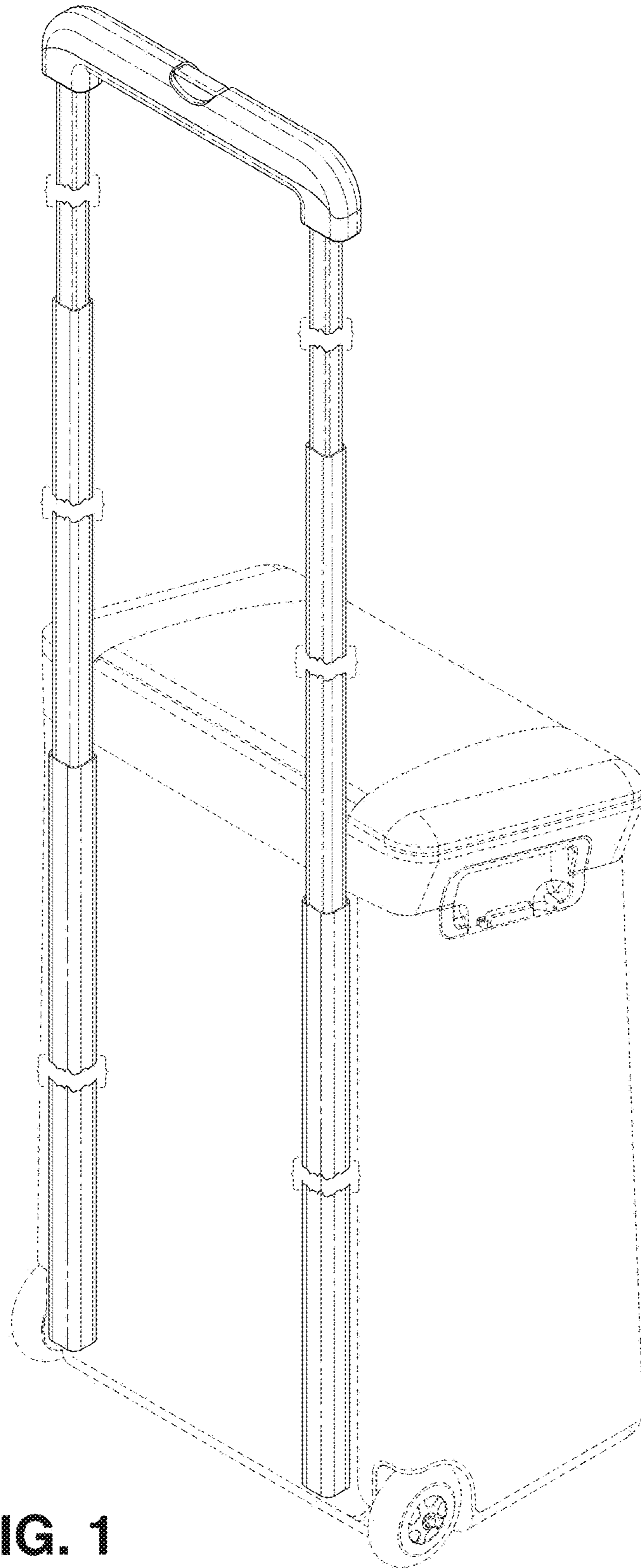


FIG. 1

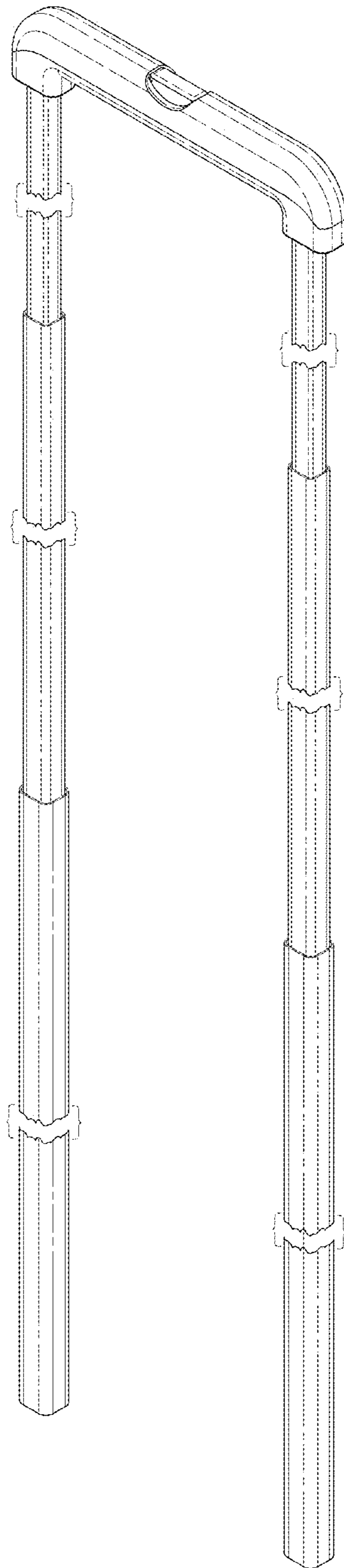


FIG. 2

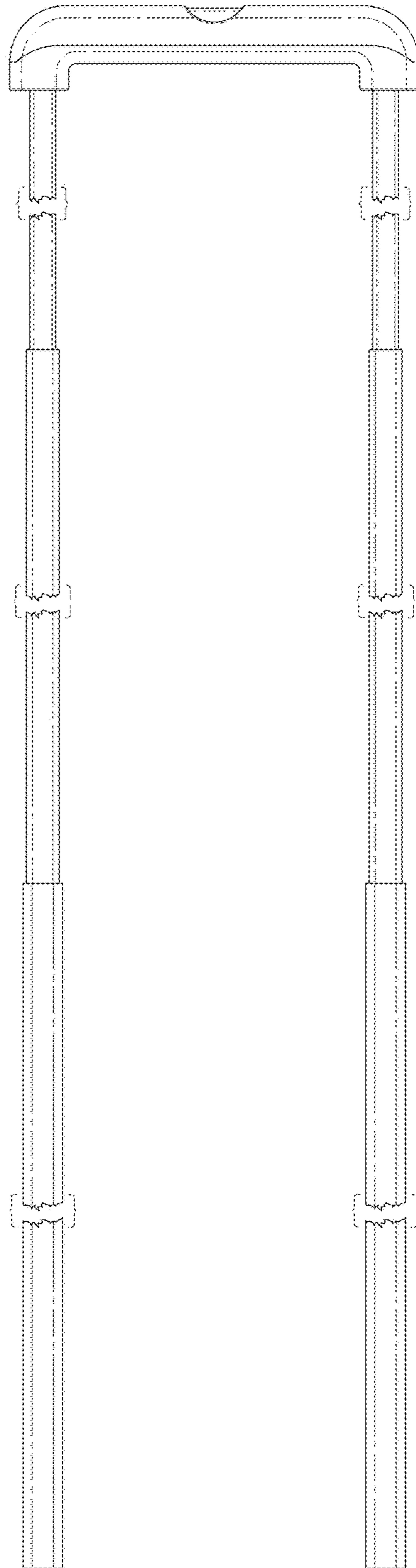


FIG. 3

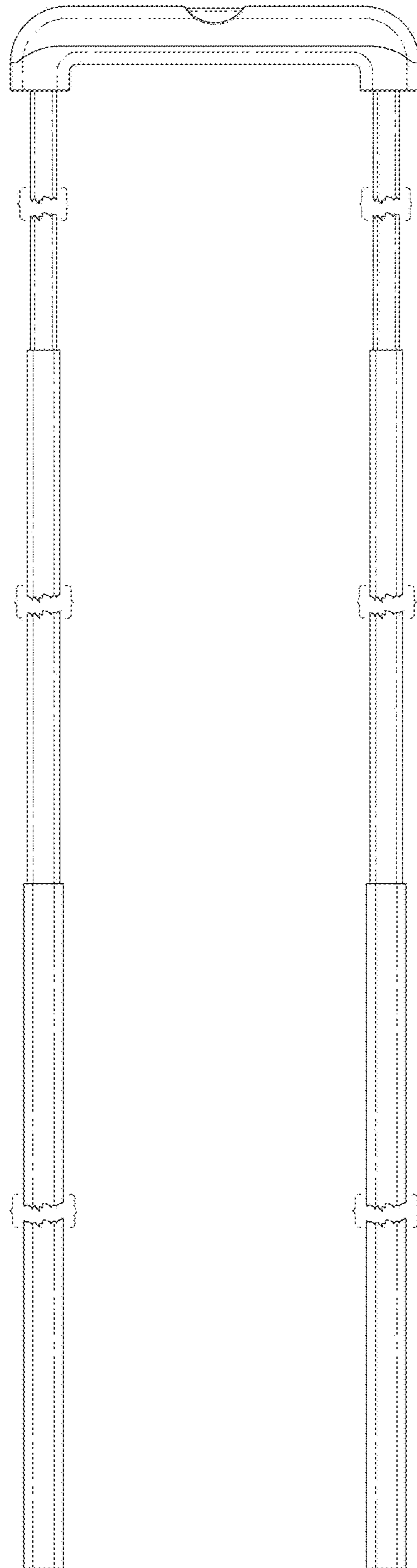


FIG. 4

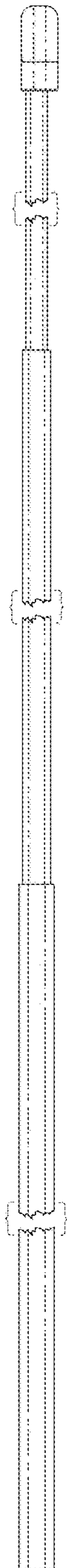


FIG. 5

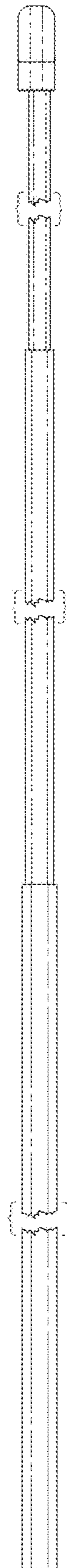


FIG. 6

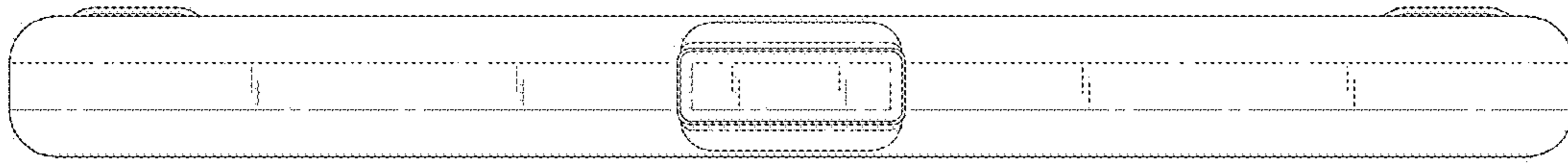


FIG. 7

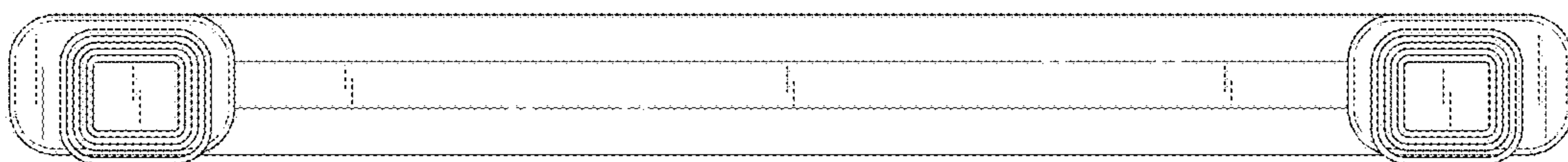


FIG. 8