



US00D792974S

(12) **United States Design Patent**
Roth

(10) **Patent No.:** **US D792,974 S**
(45) **Date of Patent:** **** Jul. 25, 2017**

- (54) **EQUIPMENT CART**
- (71) Applicant: **seiratherm GmbH**, Herzogenaurach (DE)
- (72) Inventor: **Matthias Roth**, Herzogenaurach (DE)
- (73) Assignee: **seiratherm GmbH**, Herzogenaurach (DE)
- (**) Term: **14 Years**
- (21) Appl. No.: **29/466,152**
- (22) Filed: **Sep. 4, 2013**
- (30) **Foreign Application Priority Data**

Mar. 4, 2013 (DE) 40 2013 100 191

- (51) **LOC (10) Cl.** **24-01**
- (52) **U.S. Cl.**
USPC **D24/185**

- (58) **Field of Classification Search**
USPC D24/187, 185, 107, 169, 144; D34/19, D34/25-26, 14; 312/209, 216-218; 607/96, 104-111, 113; 604/19, 23, 27, 604/43
CPC A61M 5/1407; A61F 7/00; A61F 7/10; A61F 7/12; A61F 7/007; A61F 7/0085; A61F 7/123; A61G 12/001; A61G 12/002
See application file for complete search history.

(56) **References Cited**

U.S. PATENT DOCUMENTS

- 2,415,455 A * 2/1947 Barnes A61M 19/00 607/104
- 3,254,652 A * 6/1966 Smith A61F 7/123 607/105
- 5,518,310 A * 5/1996 Ellman A61G 12/001 312/209

- 5,895,418 A * 4/1999 Saringer A61F 7/00 607/104
- 6,149,674 A * 11/2000 Borders A61G 12/002 607/108
- D438,952 S * 3/2001 Cimino D24/144
- 6,440,157 B1 * 8/2002 Shigezawa A61F 7/0085 607/96
- D465,895 S * 11/2002 Pfefferle D34/19
- 6,626,445 B2 * 9/2003 Murphy A61G 12/001 312/209
- D486,915 S * 2/2004 Warschewske D24/185
- D603,048 S * 10/2009 Fleck D24/185
- D621,513 S * 8/2010 Cinqualbre D24/185

(Continued)

Primary Examiner — Ian Simmons
Assistant Examiner — Mark Cavanna
(74) *Attorney, Agent, or Firm* — Fish & Richardson P.C.

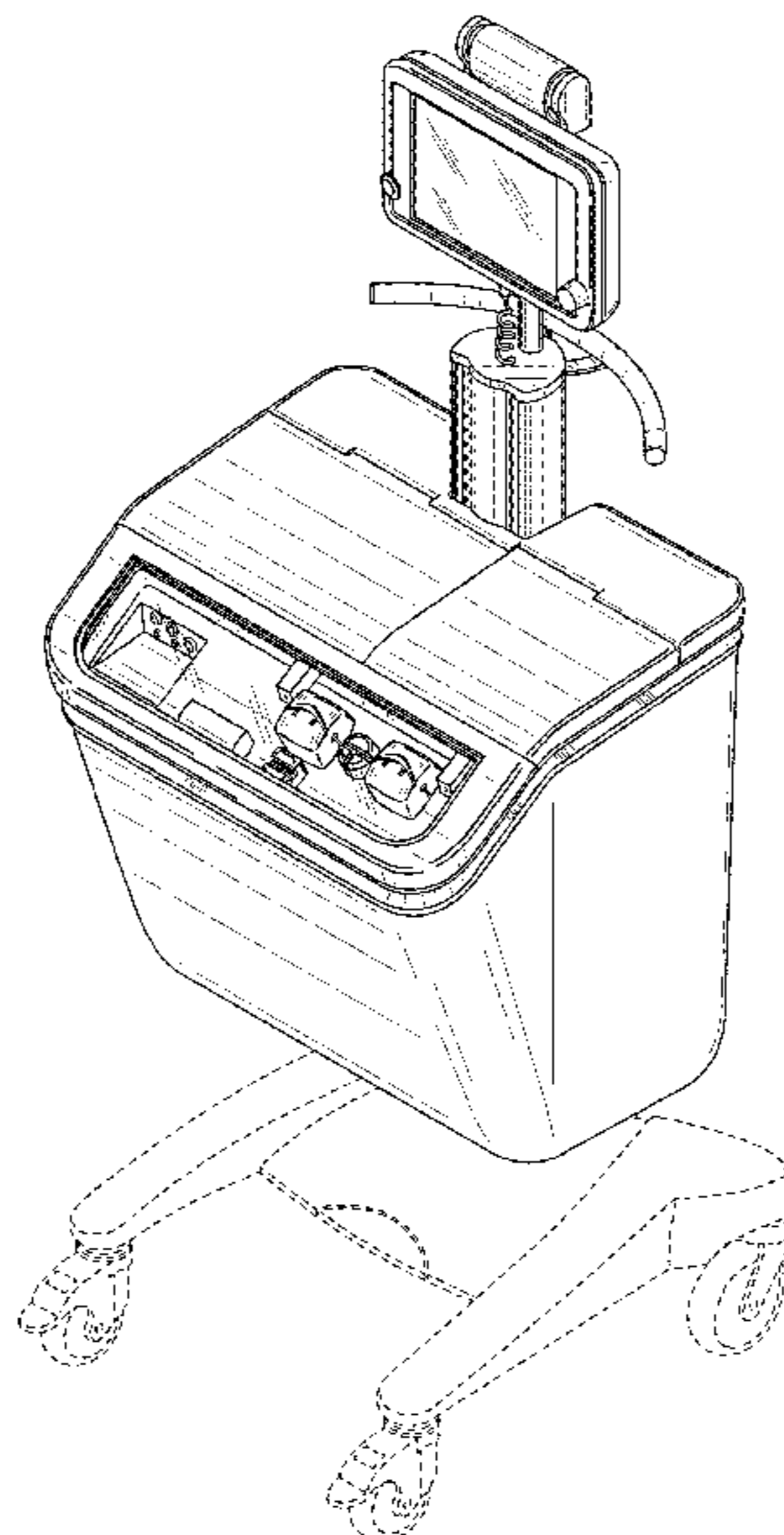
(57) **CLAIM**

The ornamental design for equipment cart, as shown and described.

DESCRIPTION

FIG. 1 is a front-top perspective view of an equipment cart; FIG. 2 is a front view of the equipment cart; FIG. 3 is a rear view of the equipment cart; FIG. 4 is a side view of the equipment cart; FIG. 5 is another side view of the equipment cart; FIG. 6 is a top plan view of the equipment cart; FIG. 7 is a bottom plan view of the equipment cart; and, FIG. 8 is an enlarged perspective view of a main housing of the equipment cart showing a cover along a top portion of the main housing in an open position. A bottom surface of the main housing of the equipment cart from which a post extends toward the wheels is substantially flat and forms no part of the claimed design. Broken lines shown in the drawings illustrate environmental structure only and form no part of the claimed design.

1 Claim, 7 Drawing Sheets



(56)

References Cited

U.S. PATENT DOCUMENTS

7,819,835 B2 * 10/2010 Landy A61M 5/1407
607/103
7,854,754 B2 * 12/2010 Ting A61F 7/10
607/112
D640,437 S * 6/2011 Opsahl D34/19
8,702,774 B2 * 4/2014 Baker A61F 7/007
607/108
D752,231 S * 3/2016 Halter D24/185
D752,232 S * 3/2016 Hacker D24/185
2006/0287697 A1 * 12/2006 Lennox A61F 7/0085
607/96
2010/0057169 A1 * 3/2010 King A61F 7/00
607/104
2011/0040359 A1 * 2/2011 Harris A61F 7/12
607/105
2013/0178923 A1 * 7/2013 Dabrowiak A61F 7/12
607/105
2013/0245731 A1 * 9/2013 Allison A61F 7/10
607/104
2014/0046411 A1 * 2/2014 Elkins A61F 7/00
607/104
2014/0343639 A1 * 11/2014 Hopper A61F 7/0085
607/104

* cited by examiner

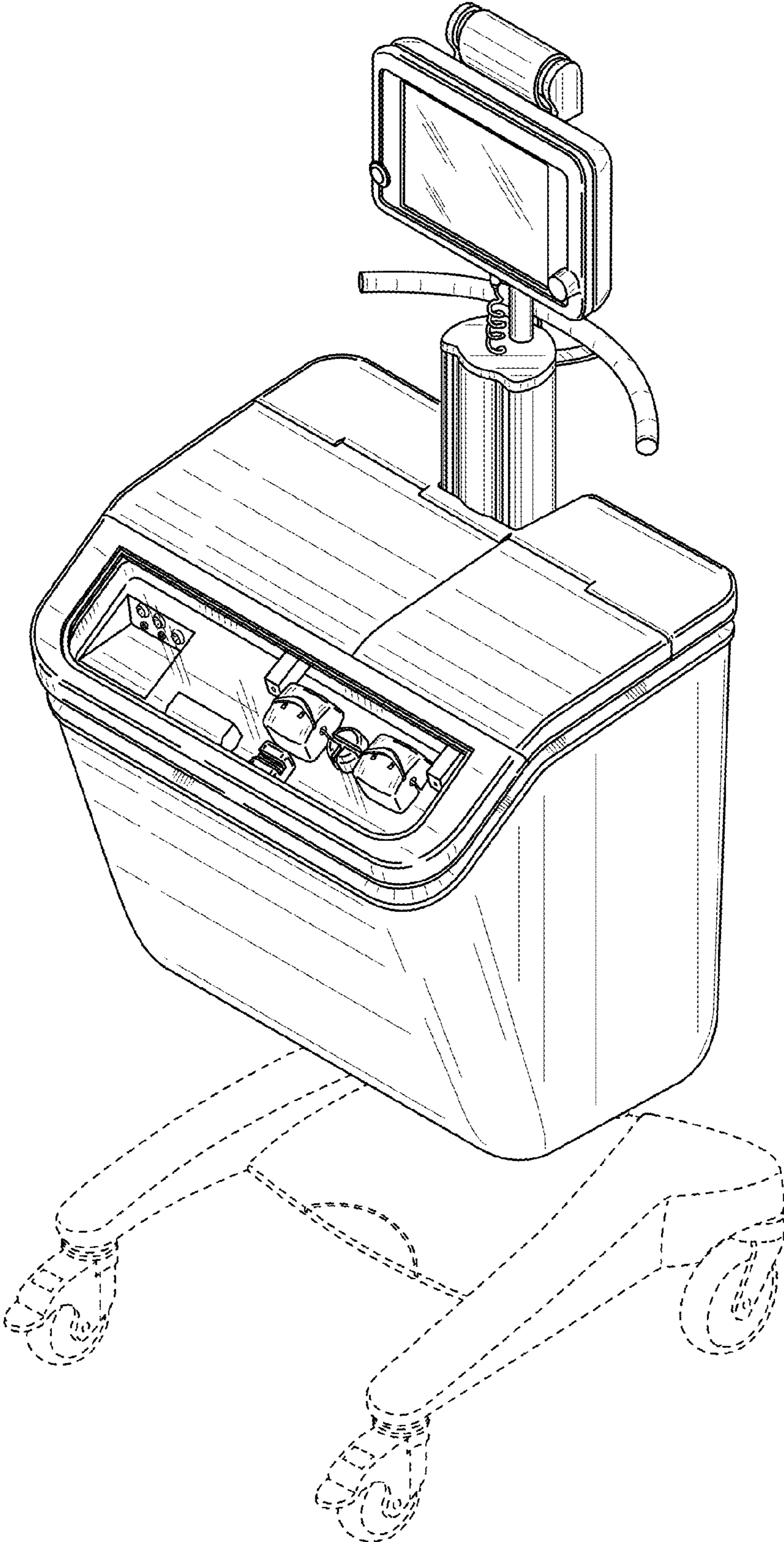


FIG. 1

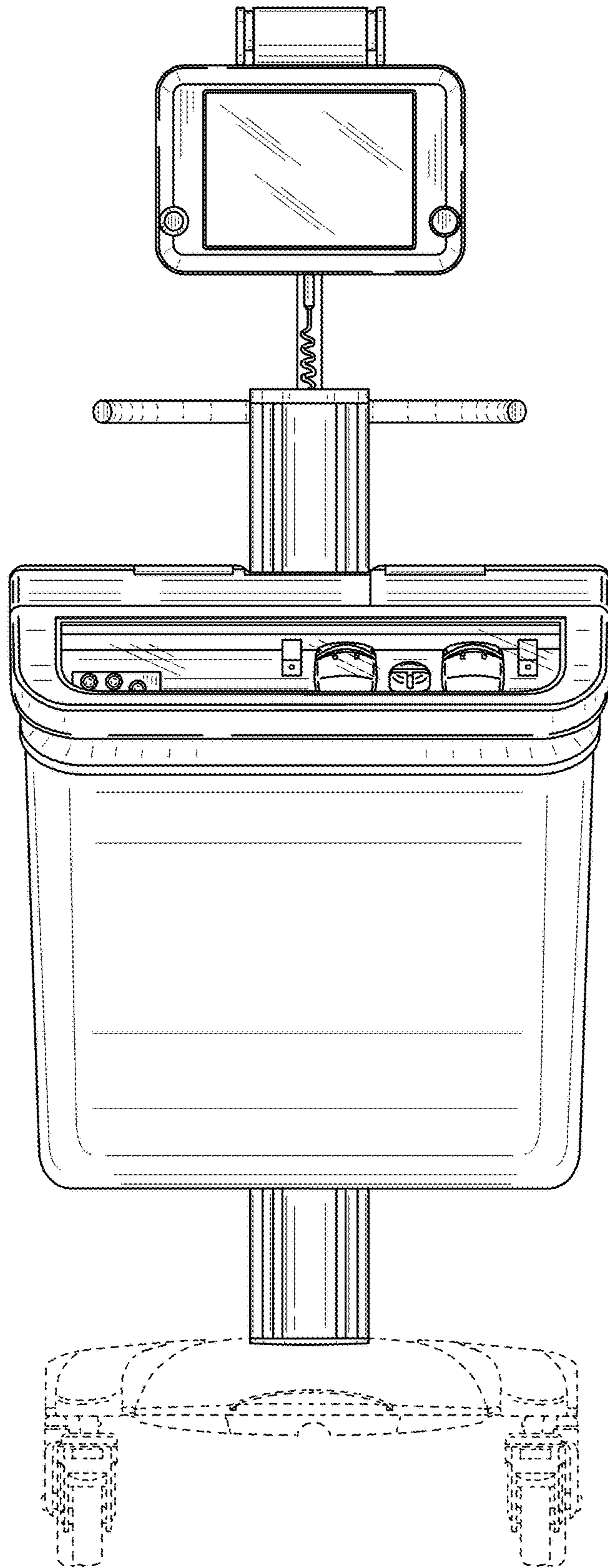


FIG. 2

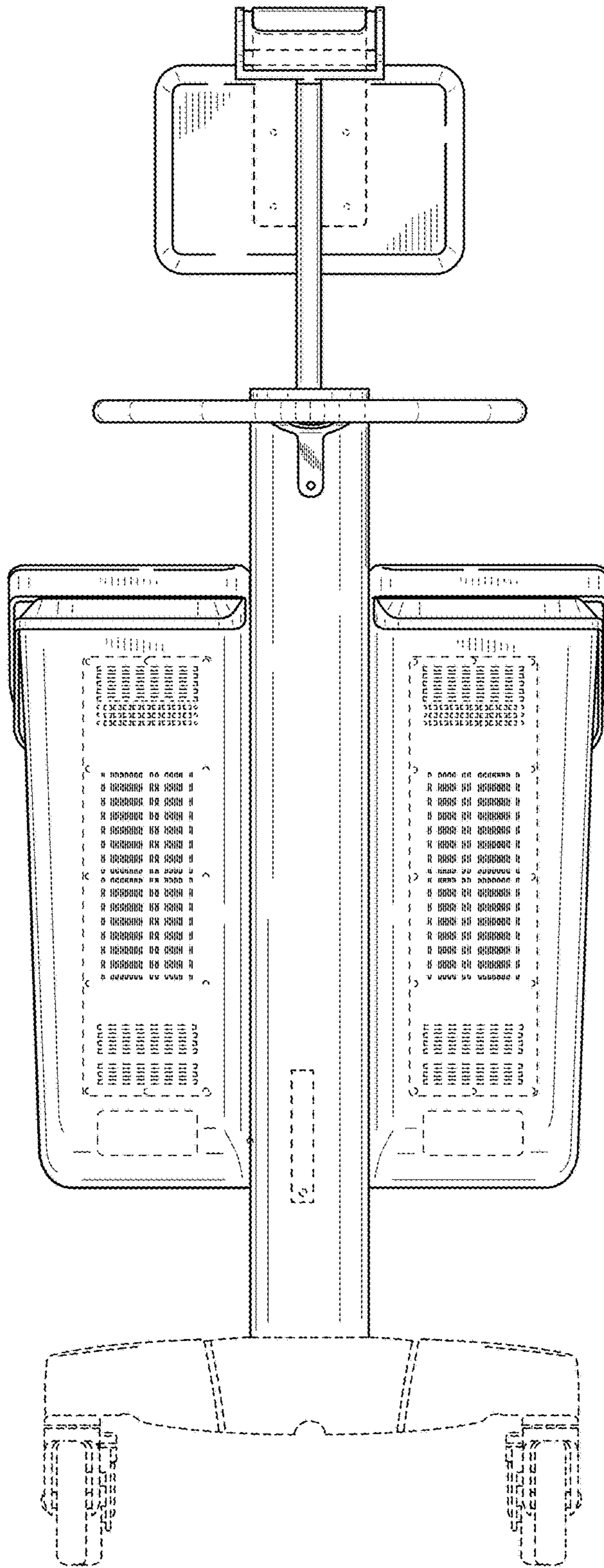


FIG. 3

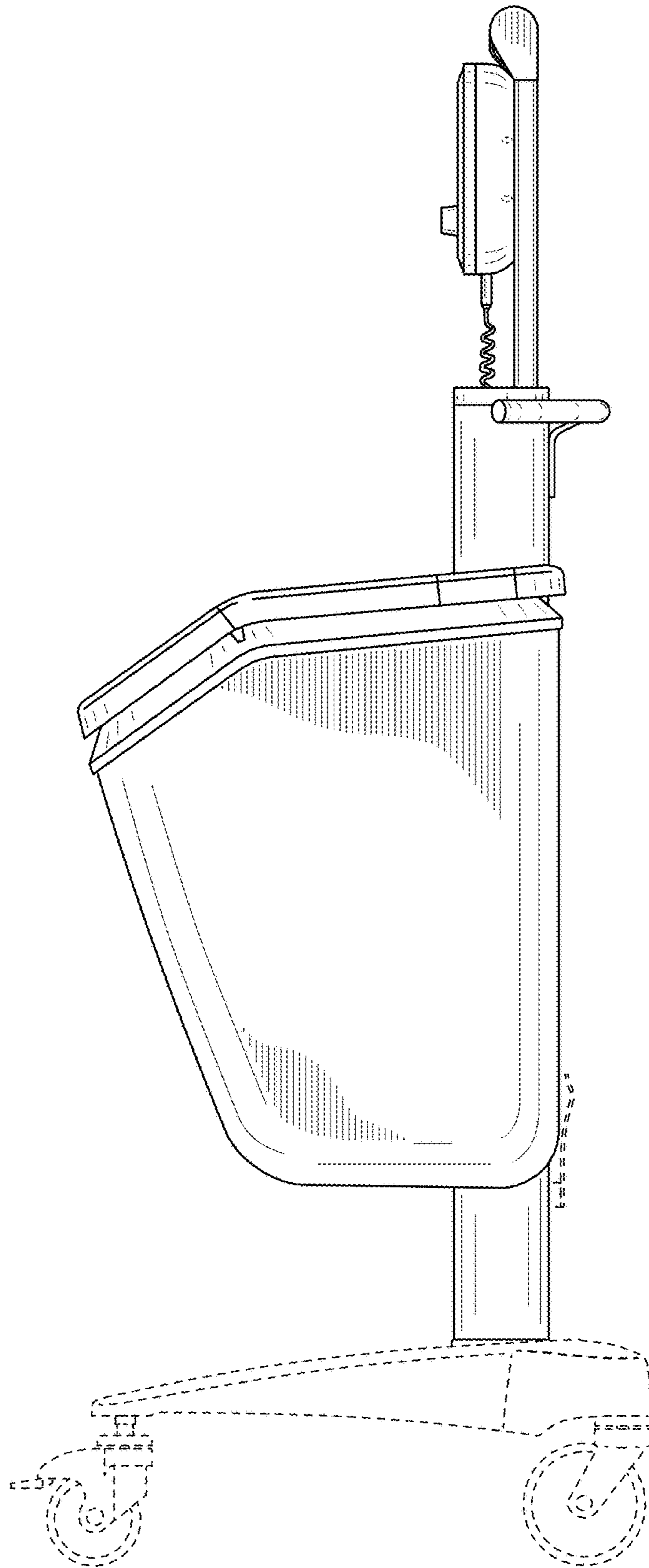


FIG. 4

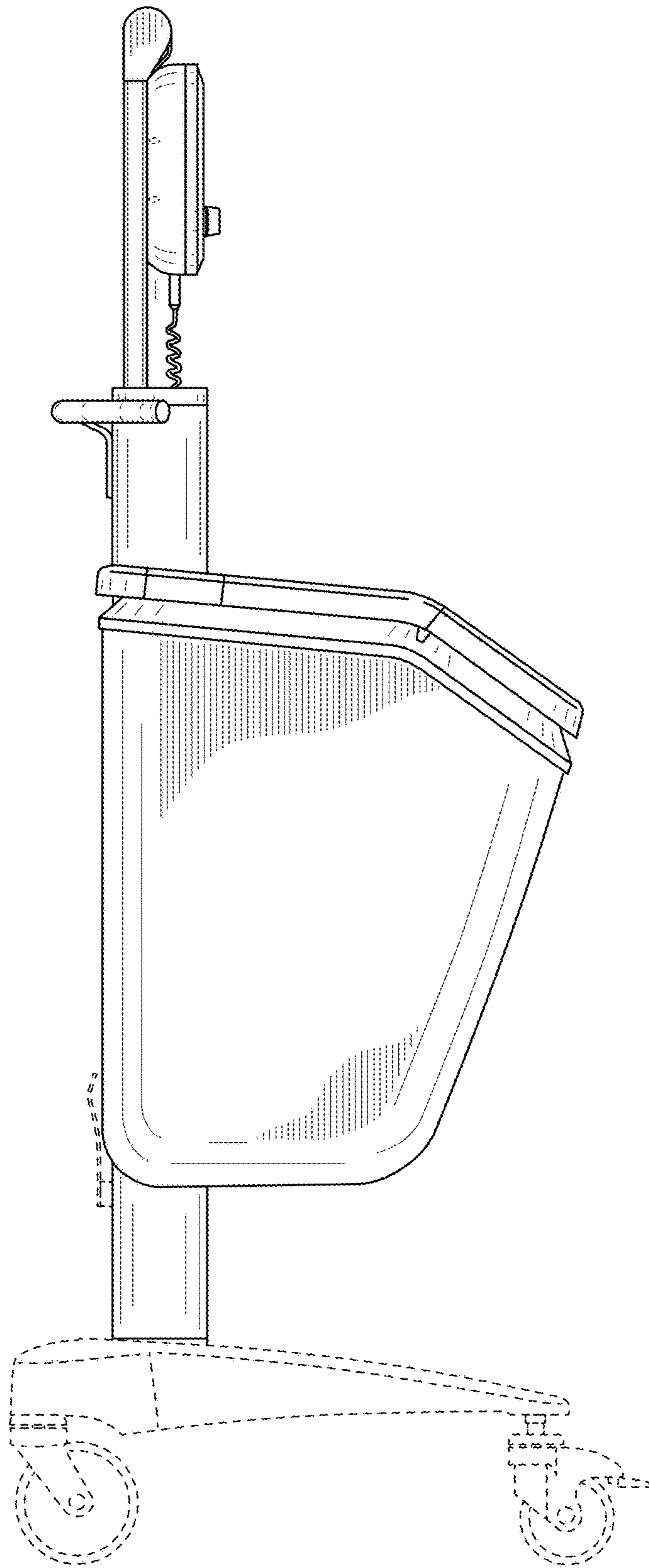


FIG. 5

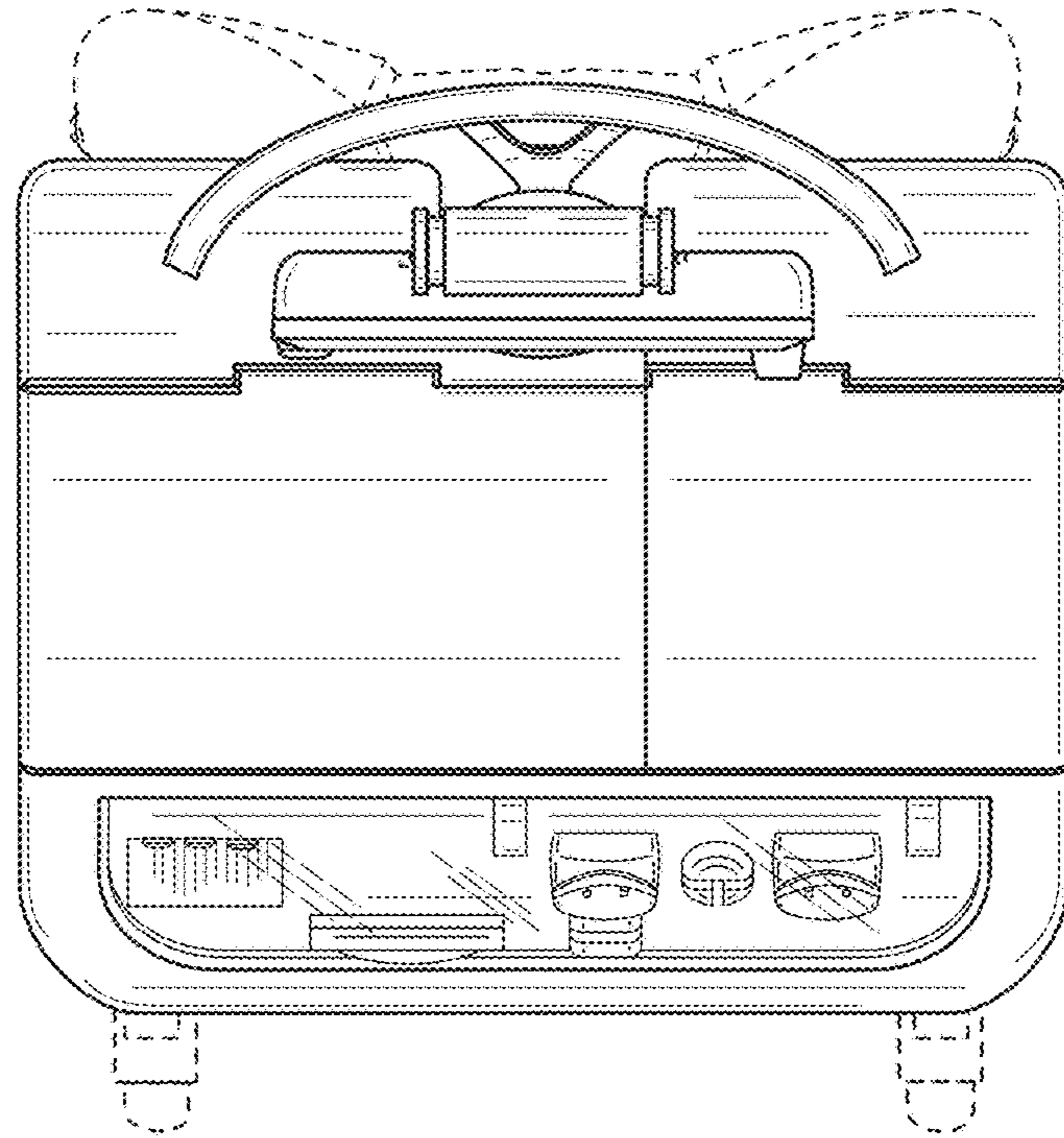


FIG. 6

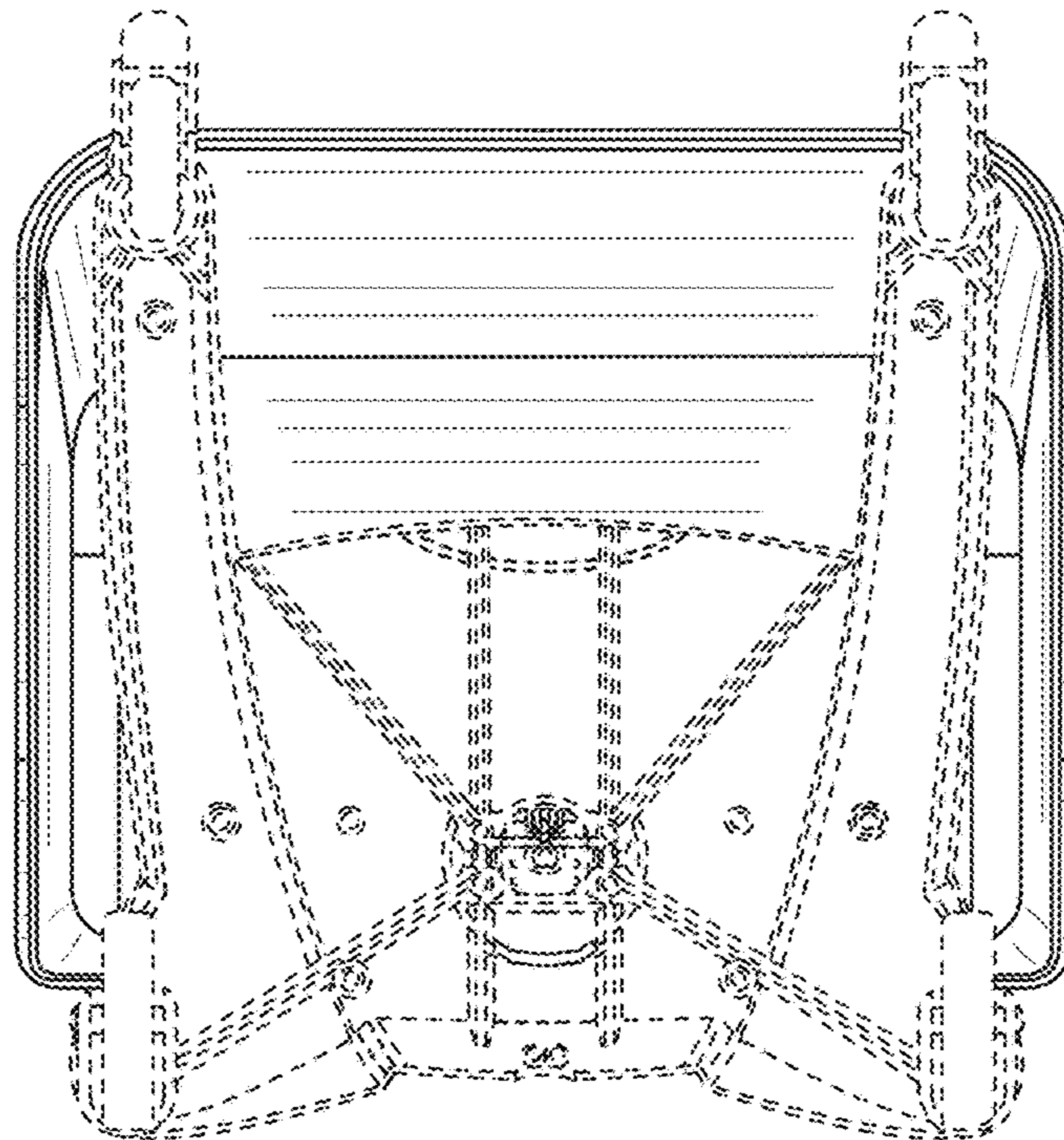


FIG. 7

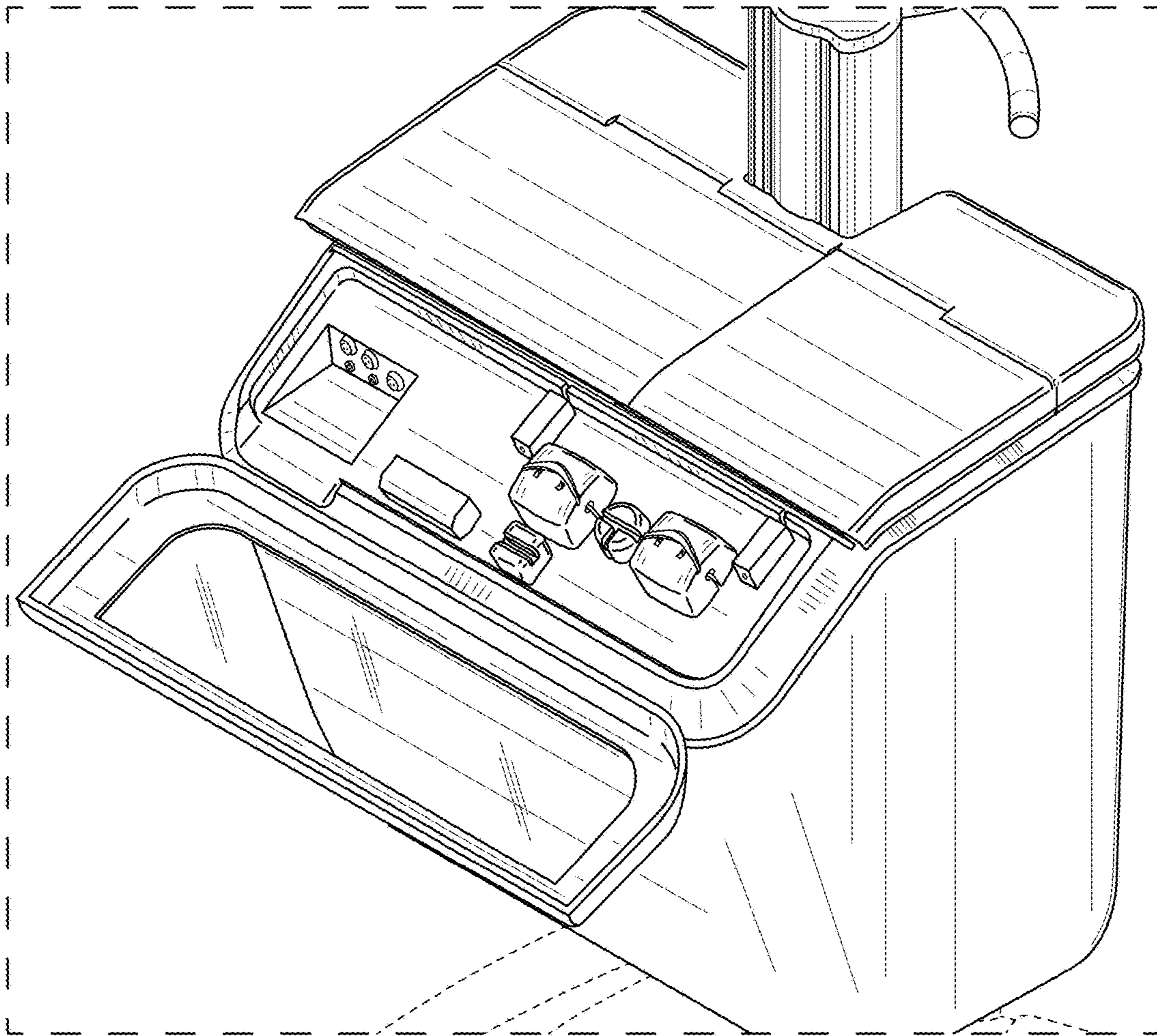


FIG. 8