



US00D792972S

(12) **United States Design Patent**
Wittke et al.

(10) **Patent No.:** **US D792,972 S**
(45) **Date of Patent:** **** Jul. 25, 2017**

(54) **BIPOLAR ELECTRODE**
(71) Applicant: **KARL STORZ GmbH & Co. KG,**
Tuttlingen (DE)
(72) Inventors: **Uwe Wittke,** Tuttlingen-Moehringen
(DE); **Herbert Leyh,**
Garmisch-Partenkirchen (DE)
(73) Assignee: **KARL STORZ GmbH & Co. KG,**
Tuttlingen (DE)

5,980,520 A * 11/1999 Vancaillie A61B 18/149
606/46
D629,100 S * 12/2010 Doll D24/144
8,348,944 B2 * 1/2013 Van Wyk A61B 18/149
606/45
D709,613 S 7/2014 Wittke
D712,032 S 8/2014 Wittke
D724,210 S 3/2015 Wittke et al.
(Continued)

(**) Term: **15 Years**

(21) Appl. No.: **29/555,431**

(22) Filed: **Feb. 22, 2016**

(30) **Foreign Application Priority Data**

Aug. 21, 2015 (EM) 002758599-0001

(51) **LOC (10) Cl.** **24-02**

(52) **U.S. Cl.**
USPC **D24/144**

(58) **Field of Classification Search**
USPC D24/133, 143-144, 146-147
CPC . A61B 18/14; A61B 18/1402; A61B 18/1482;
A61B 18/149; A61B 18/1492; A61B
2018/00601; A61B 2018/126; A61B
2018/1405
See application file for complete search history.

(56) **References Cited**

U.S. PATENT DOCUMENTS

4,134,406 A * 1/1979 Iglesias A61B 17/32
606/46
5,582,610 A * 12/1996 Grossi A61B 18/14
600/210
5,788,694 A * 8/1998 Vancaillie A61B 18/149
606/45

OTHER PUBLICATIONS

U.S. Appl. No. 29/535,710, filed Aug. 10, 2015, Wittke et al.
U.S. Appl. No. 29/535,720, filed Aug. 10, 2015, Wittke et al.
U.S. Appl. No. 29/545,144, filed Nov. 10, 2015, Herrmann et al.

Primary Examiner — Wan Laymon

(74) *Attorney, Agent, or Firm* — Muncy, Geissler, Olds &
Lowe, P.C.

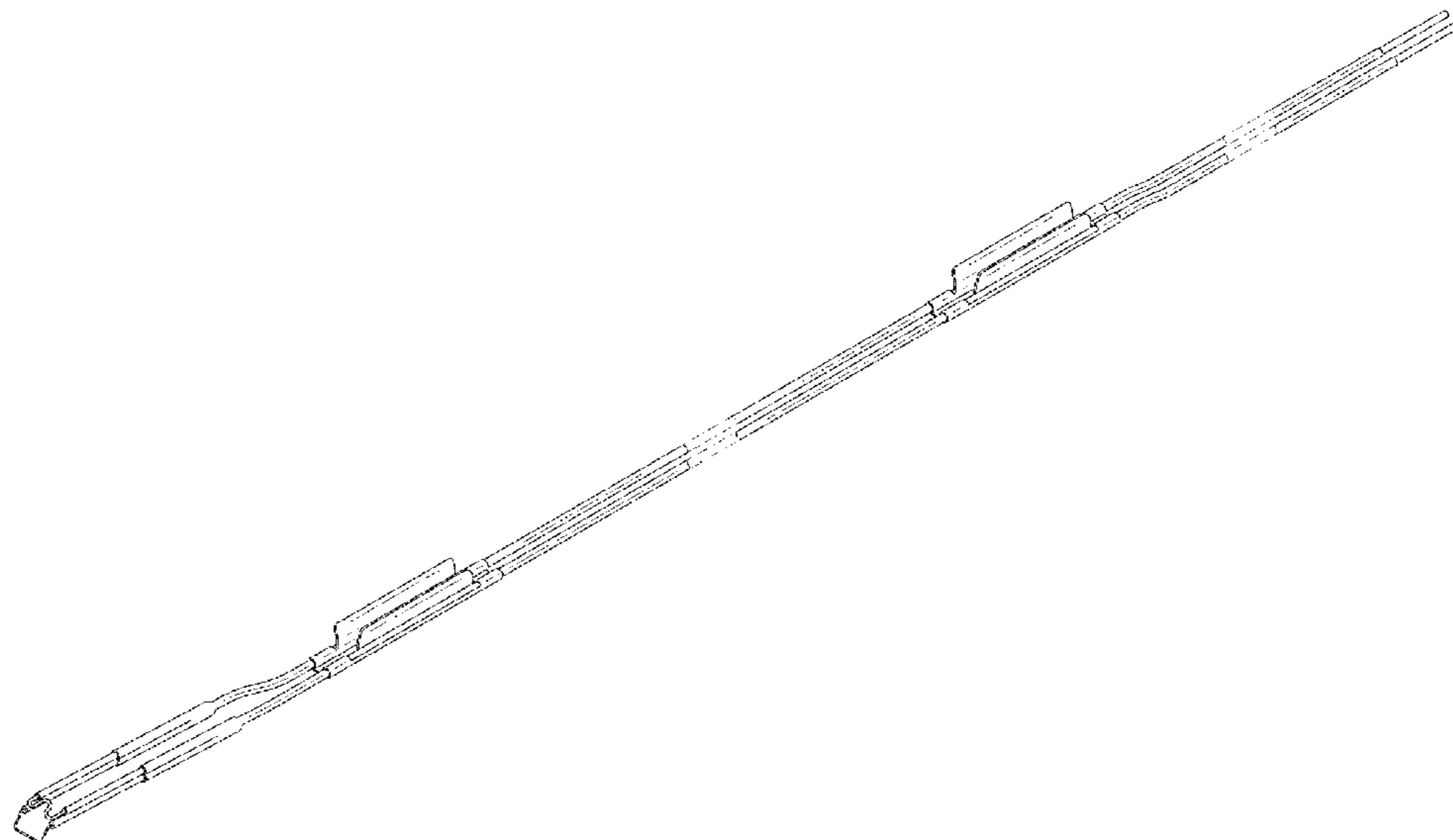
(57) **CLAIM**

The ornamental design for a bipolar electrode, as shown and
described.

DESCRIPTION

FIG. 1 is a front top and right side view of a bipolar electrode
according to the present invention.
FIG. 2 is an enlarged front view of the bipolar electrode of
FIG. 1.
FIG. 3 is an enlarged rear view of the bipolar electrode of
FIG. 1.
FIG. 4 is a left side view of the bipolar electrode of FIG. 1.
FIG. 5 is a right side view of the bipolar electrode of FIG.
1.
FIG. 6 is a top view of the bipolar electrode of FIG. 1; and,
FIG. 7 is a bottom view of the bipolar electrode of FIG. 1.
The dashed lines illustrate environment that does not form a
part of the present invention, and no claim is made to the
material illustrated with dashed lines.

1 Claim, 7 Drawing Sheets



(56)

References Cited

U.S. PATENT DOCUMENTS

2015/0066018 A1* 3/2015 Doll A61B 18/1492
606/39

* cited by examiner

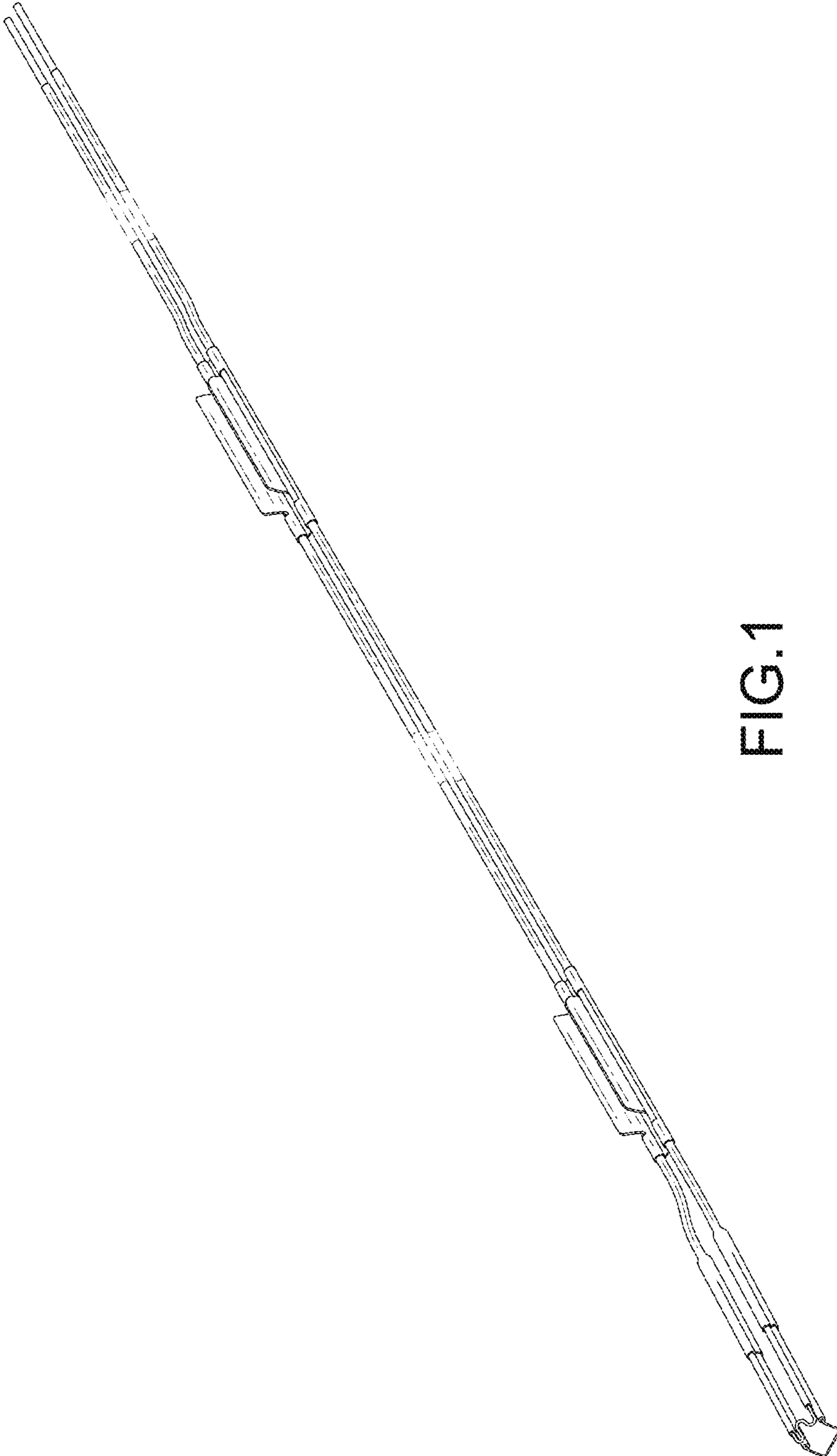


FIG.1

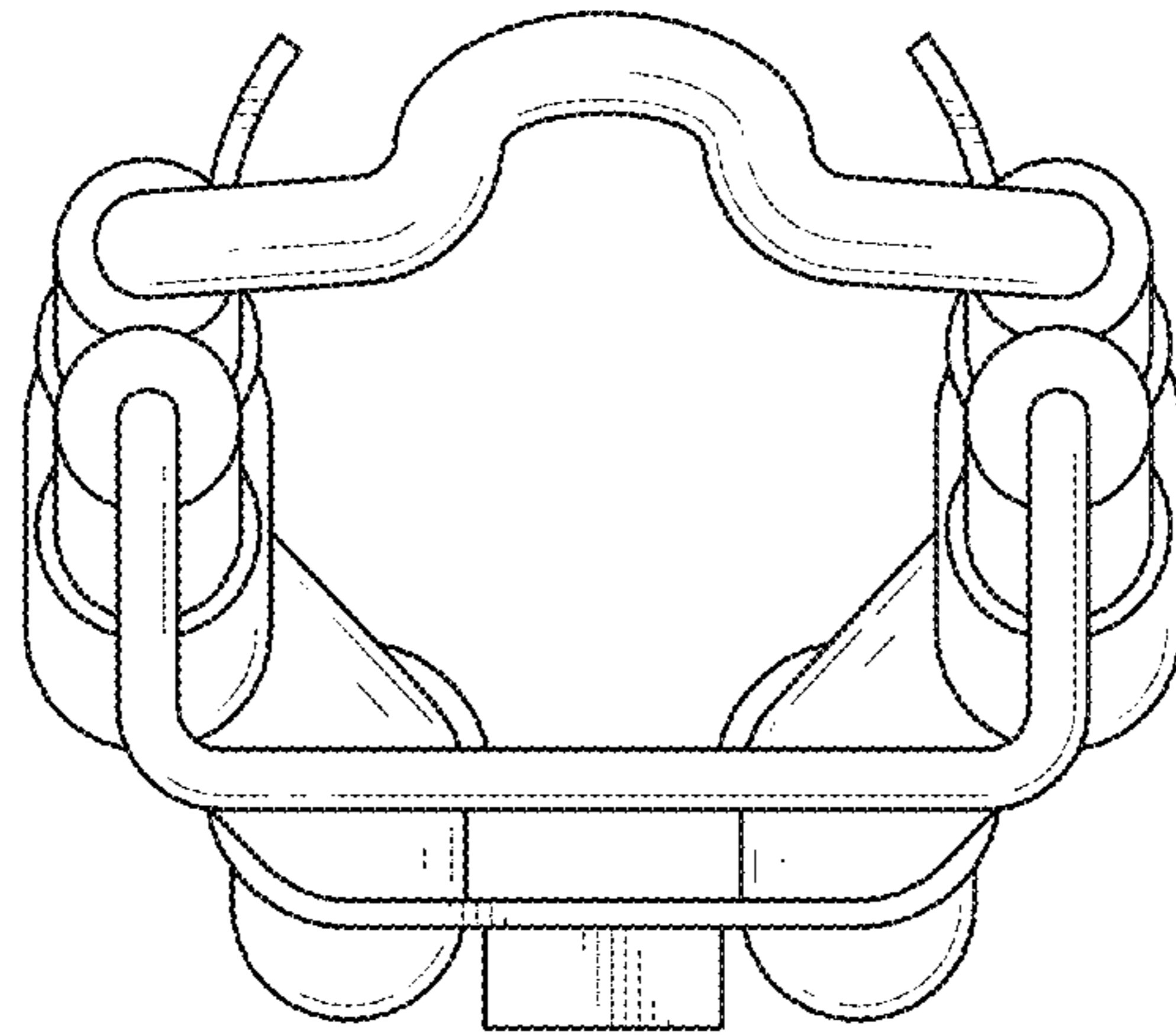


FIG.2

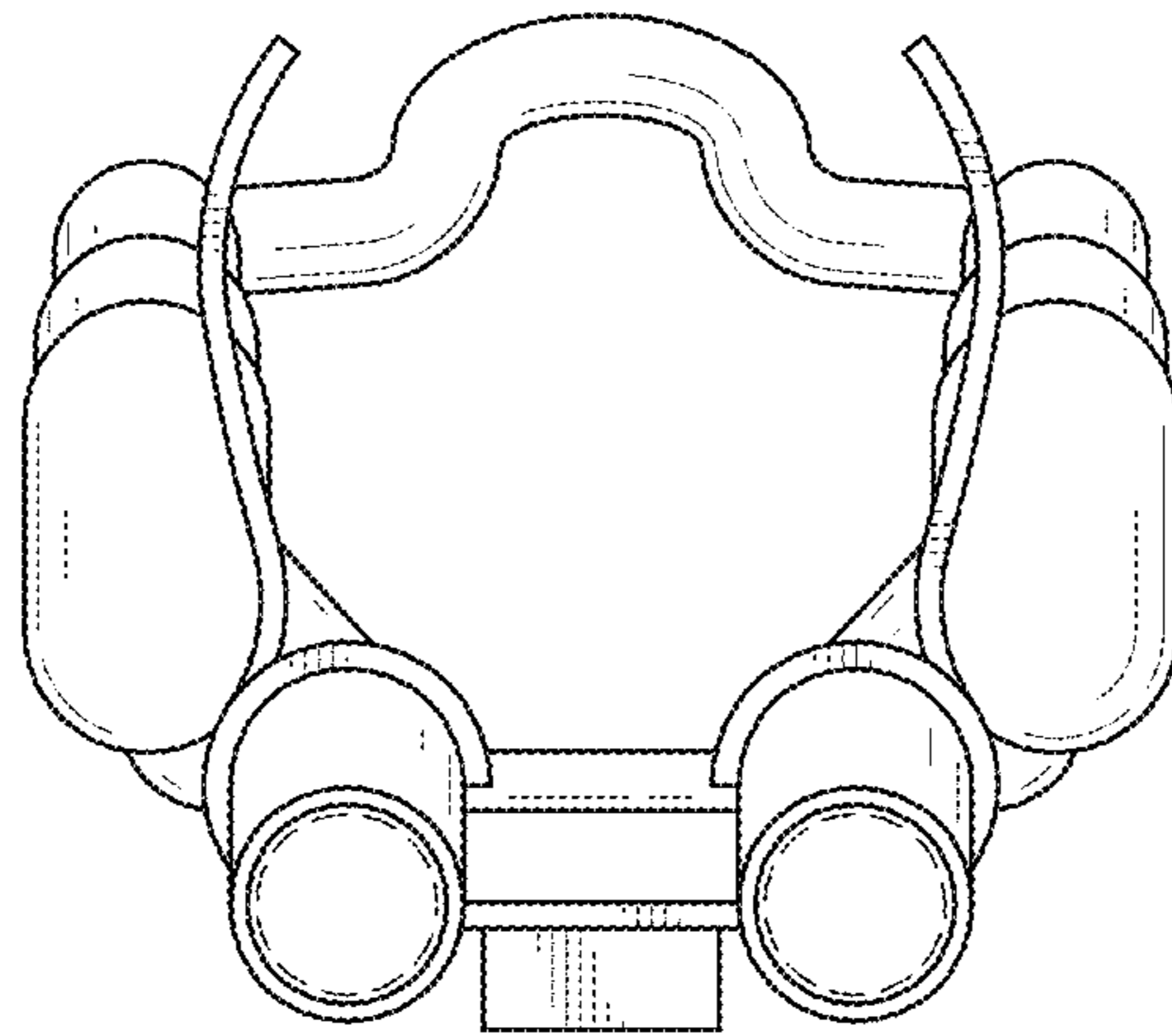


FIG.3

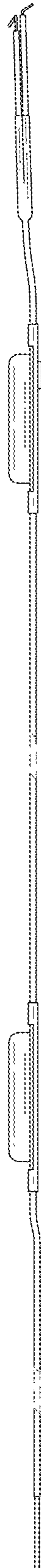


FIG.4

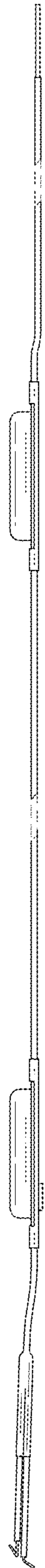


FIG.5

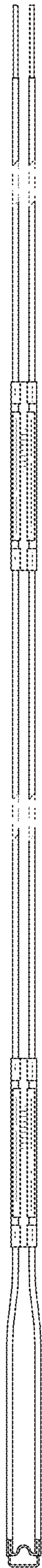


FIG.6

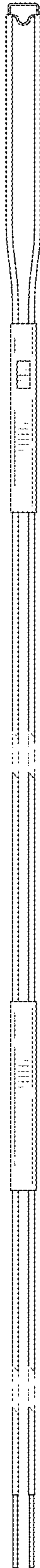


FIG.7