

US00D792970S

(12) **United States Design Patent**
Shimobayashi

(10) **Patent No.:** **US D792,970 S**

(45) **Date of Patent:** **** Jul. 25, 2017**

(54) **ENDOSCOPE VIDEO PROCESSOR**

(56) **References Cited**

(71) Applicant: **OLYMPUS CORPORATION**, Tokyo
(JP)

U.S. PATENT DOCUMENTS

(72) Inventor: **Koji Shimobayashi**, Hachioji (JP)

D481,123	S	*	10/2003	Hayamizu	D24/107
D535,745	S	*	1/2007	Hayamizu	D24/107
D564,094	S	*	3/2008	Hayashi	D24/107
D564,661	S	*	3/2008	Hayashi	D24/107
D624,650	S	*	9/2010	Tanaka	D24/138
D640,376	S	*	6/2011	Amano	D24/107
D641,081	S	*	7/2011	Onuma	D24/138
D641,082	S	*	7/2011	Onuma	D24/138
D643,117	S	*	8/2011	Onuma	D24/138
D670,806	S	*	11/2012	Hayamizu	D24/138
D671,212	S	*	11/2012	Tanaka	D24/138
2016/0220097	A1	*	8/2016	Ohno	A61B 1/00006

(73) Assignee: **OLYMPUS CORPORATION**, Tokyo
(JP)

(**) Term: **15 Years**

(21) Appl. No.: **29/544,052**

* cited by examiner

(22) Filed: **Oct. 30, 2015**

(30) **Foreign Application Priority Data**

Apr. 30, 2015 (EM) 002692368-0020
Apr. 30, 2015 (EM) 002692368-0048

Primary Examiner — Robert M Spear

Assistant Examiner — Eliza Bennett-Hattan

(74) *Attorney, Agent, or Firm* — Scully, Scott, Murphy & Presser, PC

(51) **LOC (10) Cl.** **24-02**

(57) **CLAIM**

(52) **U.S. Cl.**
USPC **D24/138**

The ornamental design for an endoscope video processor, as shown and described.

(58) **Field of Classification Search**

DESCRIPTION

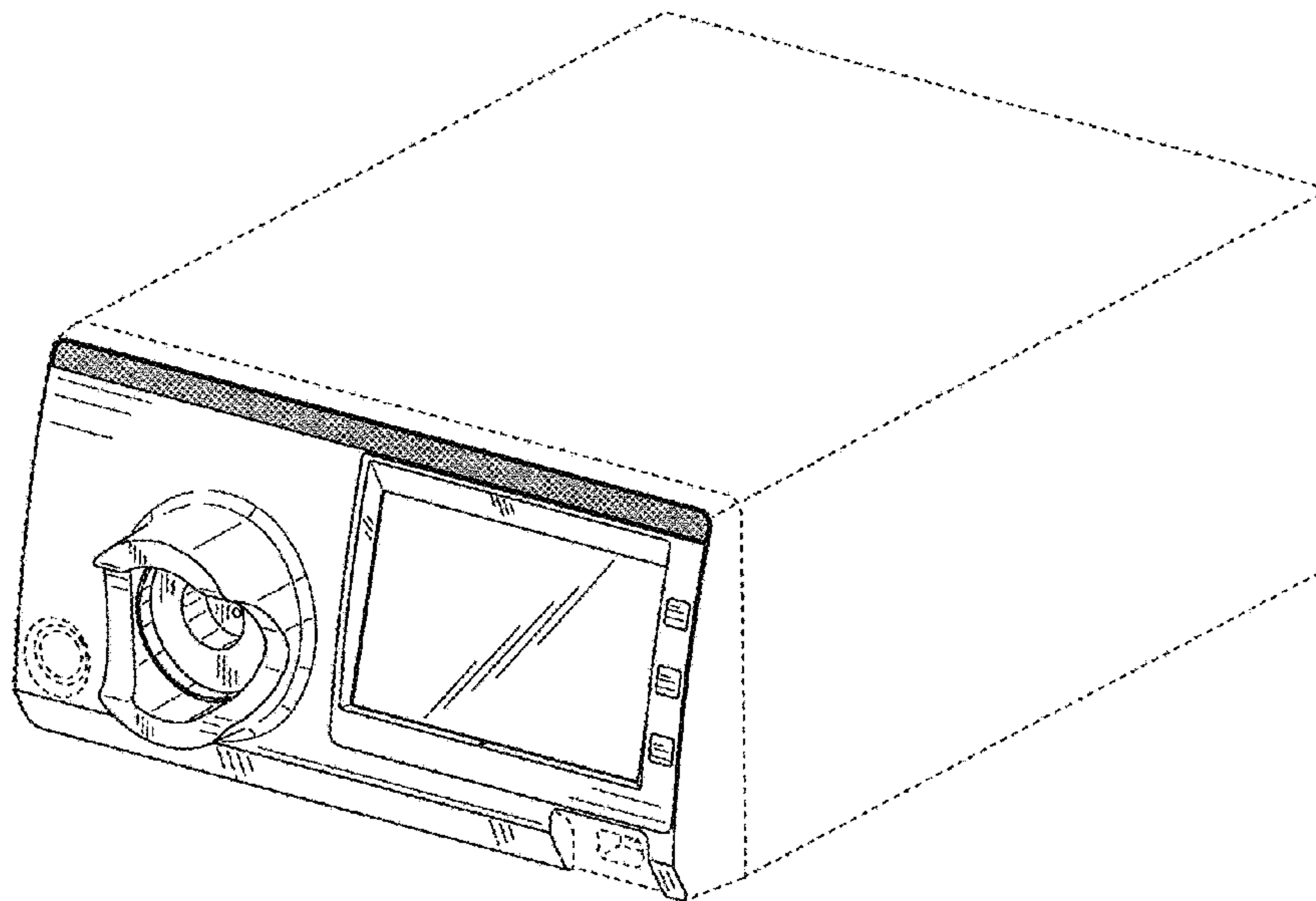
USPC D24/107, 108, 110.6, 111–114, 117, 118,
D24/129, 130, 132–134, 135, 137, 138,
D24/222, 127, 140, 141, 143, 144, 148,
D24/160, 79, 2, 16, 152–154, 164, 165,
D24/176, 170; D14/394, 395, 397, 333;
D13/162, 163, 171; D10/46, 49, 62;
D18/7, 12.2, 41
CPC . A61B 90/361; A61B 90/37; A61B 2090/378;
A61B 1/00133; A61B 1/015; A61B
1/041; A61B 1/045; A61B 1/051; A61B
1/0661; A61B 10/04; A61B 1/00121;
A61B 2090/3925; A61B 5/036

FIG. 1 is a perspective view of the endoscope video processor, showing of my new design;
FIG. 2 is a front view thereof;
FIG. 3 is a rear view thereof;
FIG. 4 is a right side view thereof;
FIG. 5 is a left side view thereof;
FIG. 6 is a top view thereof; and,
FIG. 7 is a bottom view thereof.

The broken lines are for the purpose of illustrating portions of the endoscope video processor and form no part of the claimed design.

See application file for complete search history.

1 Claim, 4 Drawing Sheets



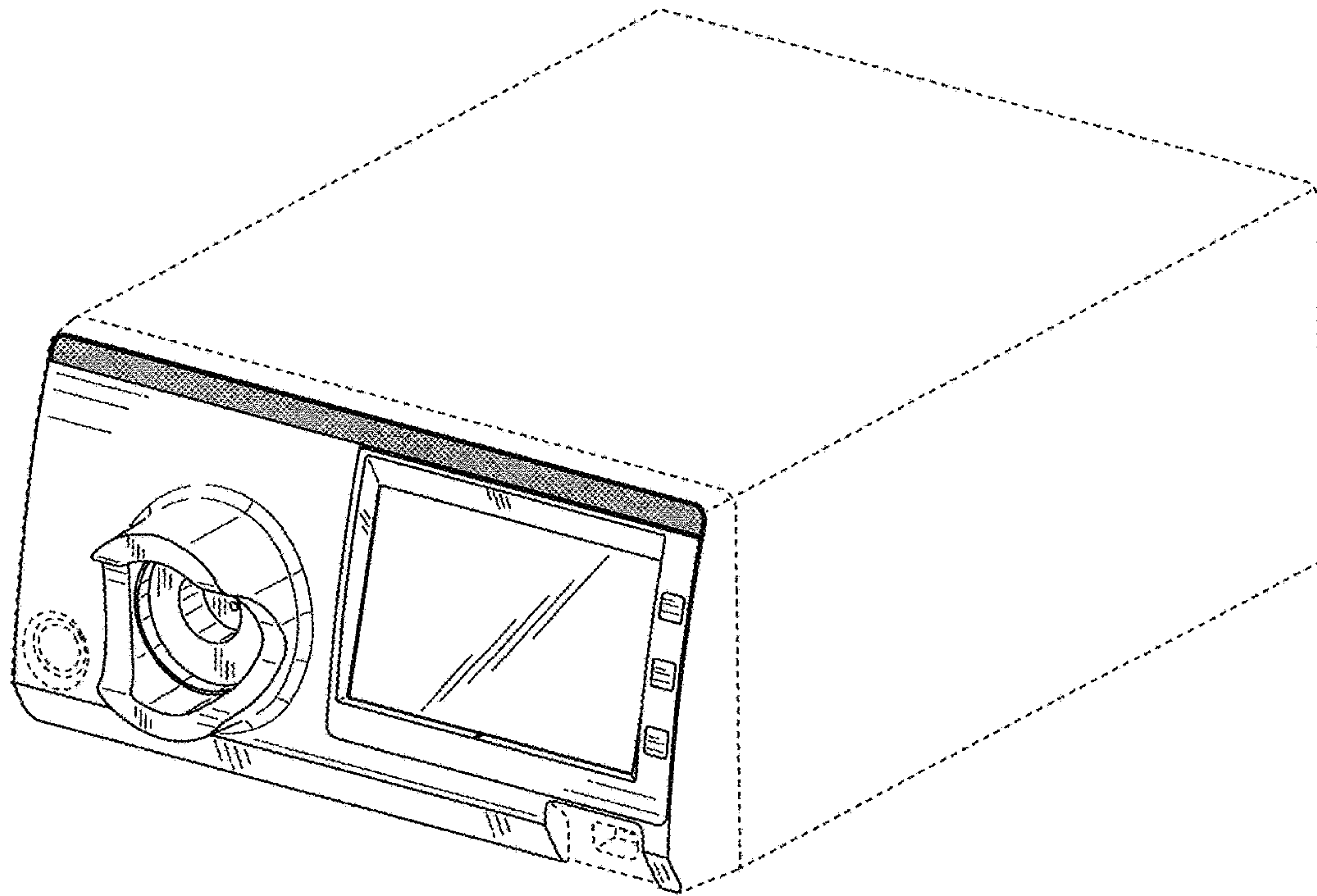


Fig. 1

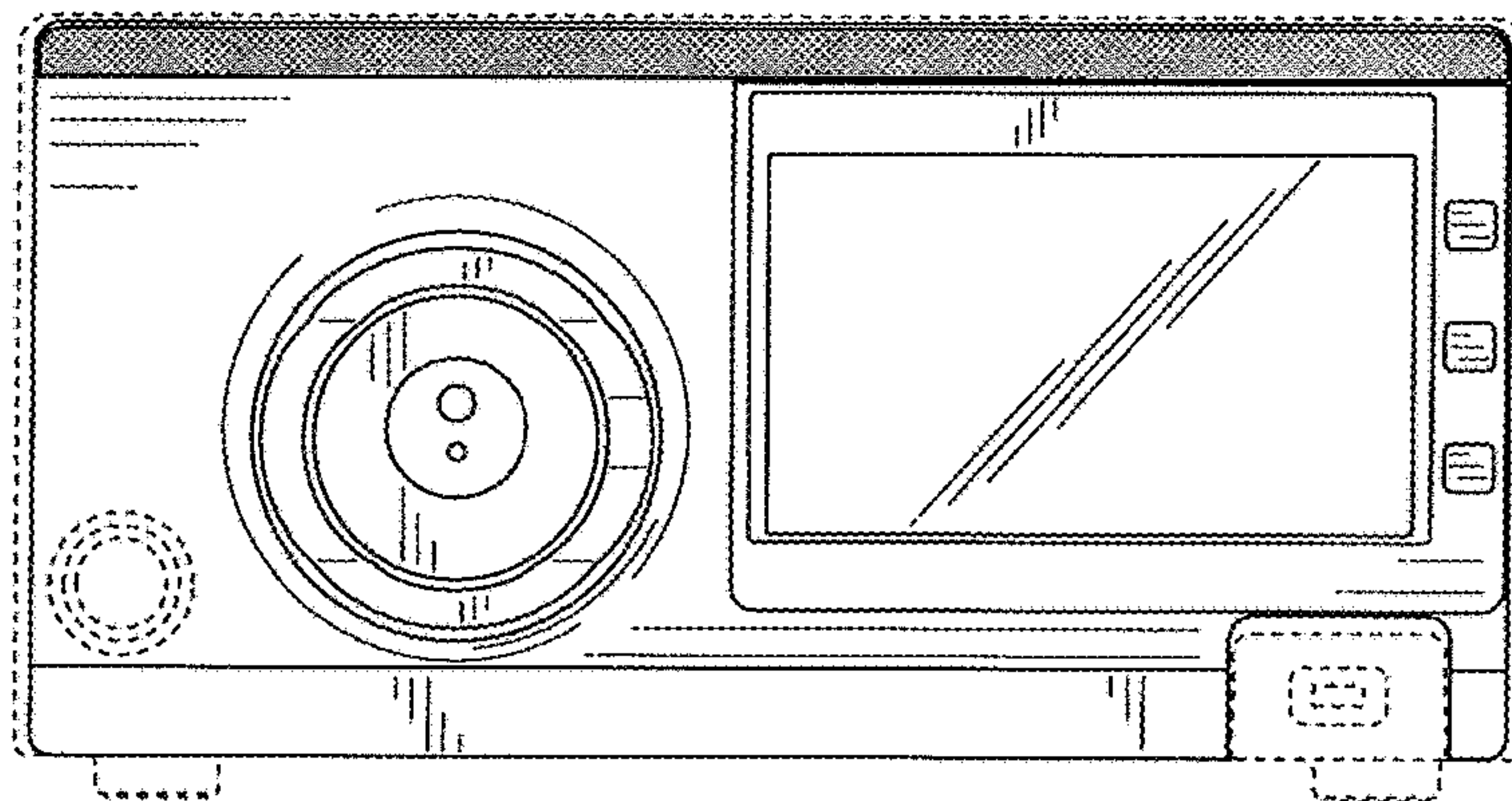


Fig. 2

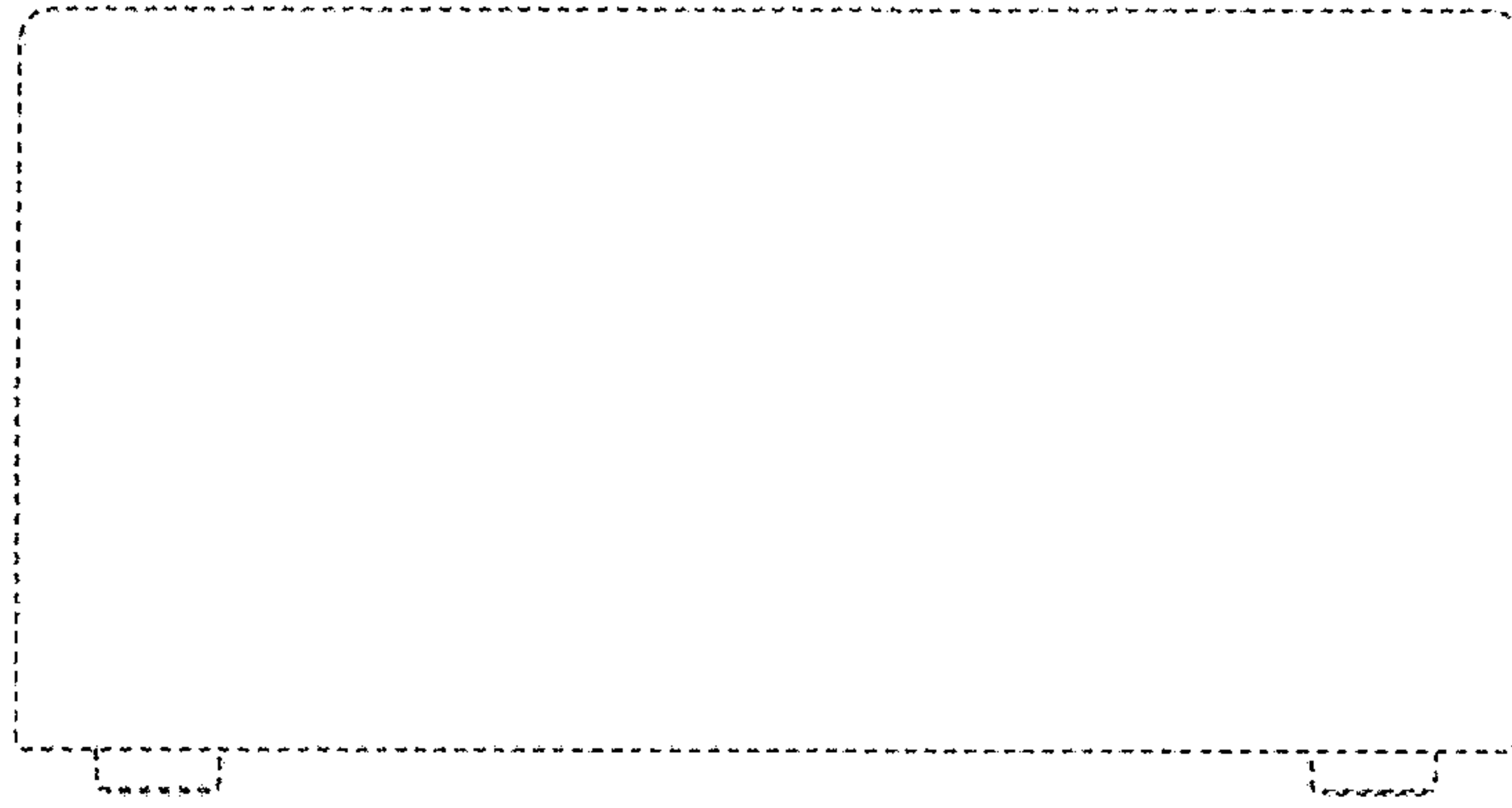


Fig. 3



Fig. 4



Fig. 5

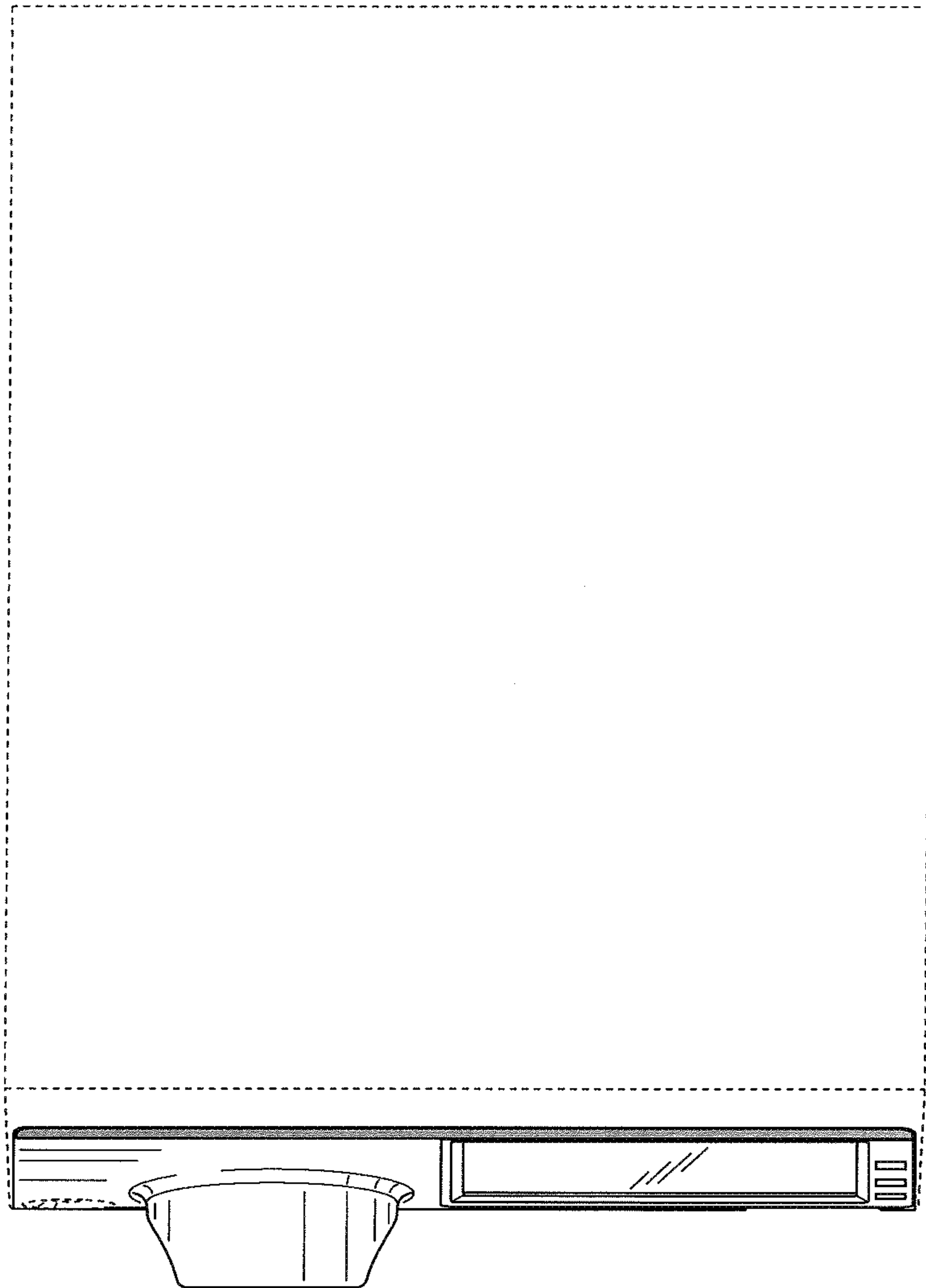


Fig.6

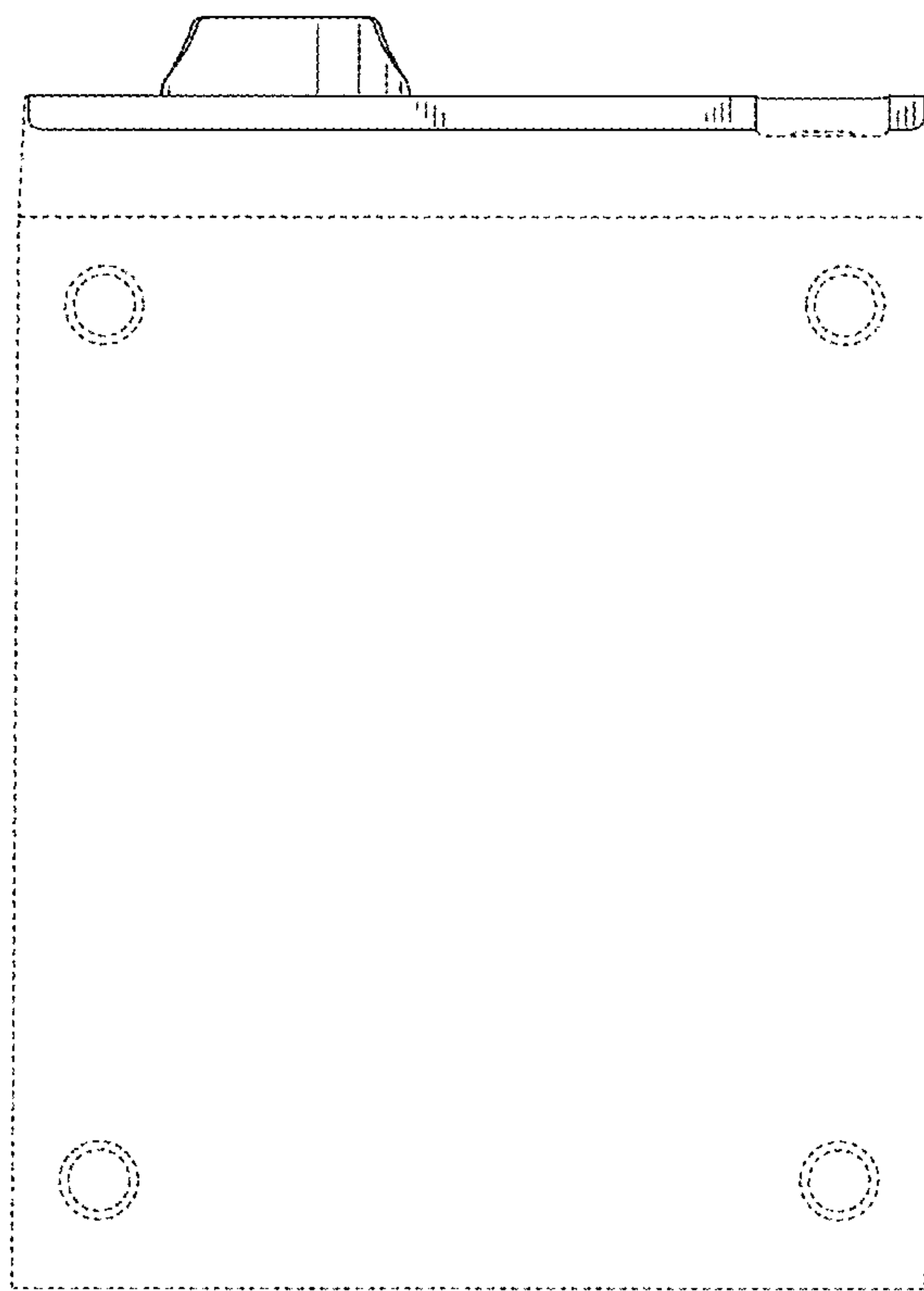


Fig. 7