



US00D792969S

(12) **United States Design Patent** (10) **Patent No.:** **US D792,969 S**
Taylor (45) **Date of Patent:** **** Jul. 25, 2017**

(54) **SURGICAL TOOL**

(71) Applicant: **Coloplast A/S**, Humlebaek (DK)

(72) Inventor: **Jeffrey Brian Taylor**, Forest Lake, MN (US)

(73) Assignee: **Coloplast A/S**, Humlebaek (DK)

(**) Term: **14 Years**

(21) Appl. No.: **29/525,331**

(22) Filed: **Apr. 29, 2015**

(51) **LOC (10) Cl.** **24-02**

(52) **U.S. Cl.**
USPC **D24/130**

(58) **Field of Classification Search**

USPC D24/108, 112, 117, 118, 130, 133, 135,
D24/137, 138, 222, 141, 111, 113, 127,
D24/143, 144, 148, 179, 216, 152, 153,
D24/154, 176, 170

CPC A61M 2005/3139; A61M 5/3137; A61M
2005/3142; A61M 5/3213; A61M 5/3243;
A61M 2005/3143; A61M 5/31511; A61F
2005/4483

See application file for complete search history.

(56) **References Cited**

U.S. PATENT DOCUMENTS

4,244,370	A	1/1981	Furlow et al.	
D289,198	S *	4/1987	Karten	D24/114
D300,243	S *	3/1989	Lee	D24/114
D303,009	S *	8/1989	Strasser	D24/112
D358,645	S *	5/1995	Ryan	D24/140
D379,229	S *	5/1997	Como Rodriguez	D24/146
D402,029	S *	12/1998	Shinabarger	D24/112
5,993,459	A	11/1999	Larsen et al.	
D436,664	S *	1/2001	Lamoureux	D24/146
D439,980	S *	4/2001	Reiley	D24/147
D449,691	S *	10/2001	Reiley	D24/147

D482,787	S *	11/2003	Reiss	D24/146
D505,200	S *	5/2005	Simpson	D24/114
D532,710	S *	11/2006	Sisk	D10/60
D539,900	S *	4/2007	Fedenia	D24/108
D554,008	S *	10/2007	Sisk	D10/60

(Continued)

Primary Examiner — Robert M Spear

Assistant Examiner — Eliza Bennett-Hattan

(74) *Attorney, Agent, or Firm* — Coloplast Corp.,
Coloplast A/S; Nick Baumann

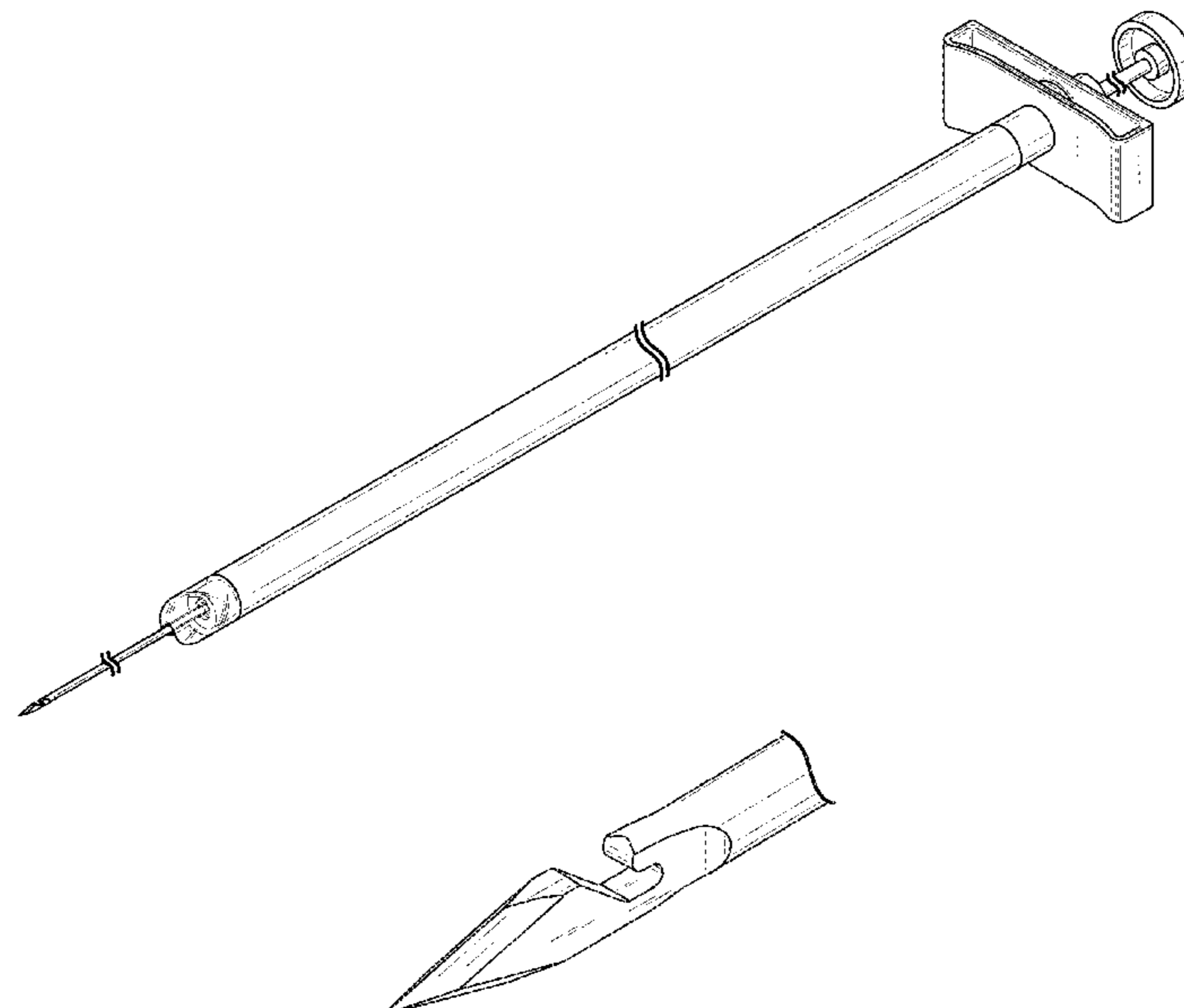
(57) **CLAIM**

The ornamental design for a surgical tool, as shown and described.

DESCRIPTION

FIG. 1 is an overhead perspective view of a surgical tool. FIG. 2 is an underside perspective view of the surgical tool. FIG. 3 is an underside perspective view of an alternative position of the surgical tool. FIG. 4 is a top plan view of the surgical tool. FIG. 5 is a bottom plan view of the surgical tool. FIG. 6 is a right side elevational view of the surgical tool, the left side elevational view being a mirror image of the right side elevational view. FIG. 7 is a front elevational view of the surgical tool. FIG. 8 is a rear elevational view of the surgical tool. FIG. 9 is a partial overhead perspective view of the surgical tool. FIG. 10 is a partial right side elevational view of the surgical tool, the left side elevational view being a mirror image of the right side elevational view. FIG. 11 is a partial top plan view of the surgical tool; and, FIG. 12 is a partial bottom plan view of the surgical tool. The surgical tool is shown with a symbolic break in its length. The appearance of any portion of the article between the break lines forms no part of the claimed design.

1 Claim, 8 Drawing Sheets



(56)

References Cited

U.S. PATENT DOCUMENTS

7,407,482 B2 8/2008 Kuyava
D607,102 S 12/2009 Robinson
D610,258 S 2/2010 Robinson
D663,838 S 7/2012 Mastri et al.
D667,954 S 9/2012 Mastri et al.
D673,670 S 1/2013 Linnenschmidt
D675,317 S * 1/2013 Baxter D24/130
D678,511 S 3/2013 Fojtik
D697,207 S 1/2014 Paget et al.
D707,356 S * 6/2014 Vonck D24/133
D708,738 S 7/2014 Berman et al.
D715,431 S * 10/2014 Vonck D24/133
D734,459 S 7/2015 Arnett
D745,674 S * 12/2015 Gaynor D24/141
D748,775 S 2/2016 Greeson, Jr.
D749,214 S * 2/2016 Uenishi D24/130
9,451,982 B1 * 9/2016 Taylor A61B 17/3468
2004/0133211 A1 * 7/2004 Raskin A61B 17/3468
606/92
2008/0243126 A1 * 10/2008 Gutierrez A61B 17/1631
606/84
2016/0317306 A1 * 11/2016 Taylor A61F 2/26

* cited by examiner

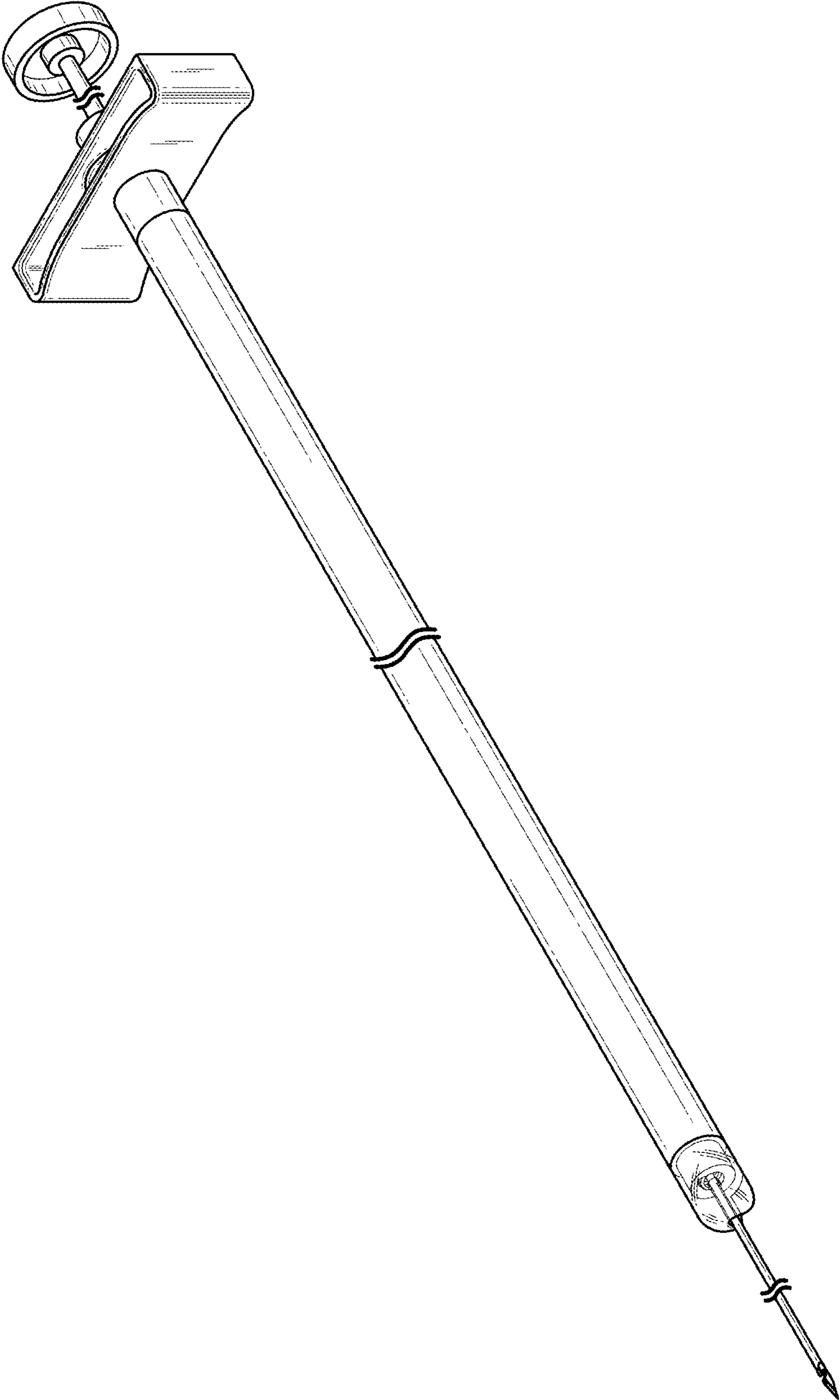


Fig. 1

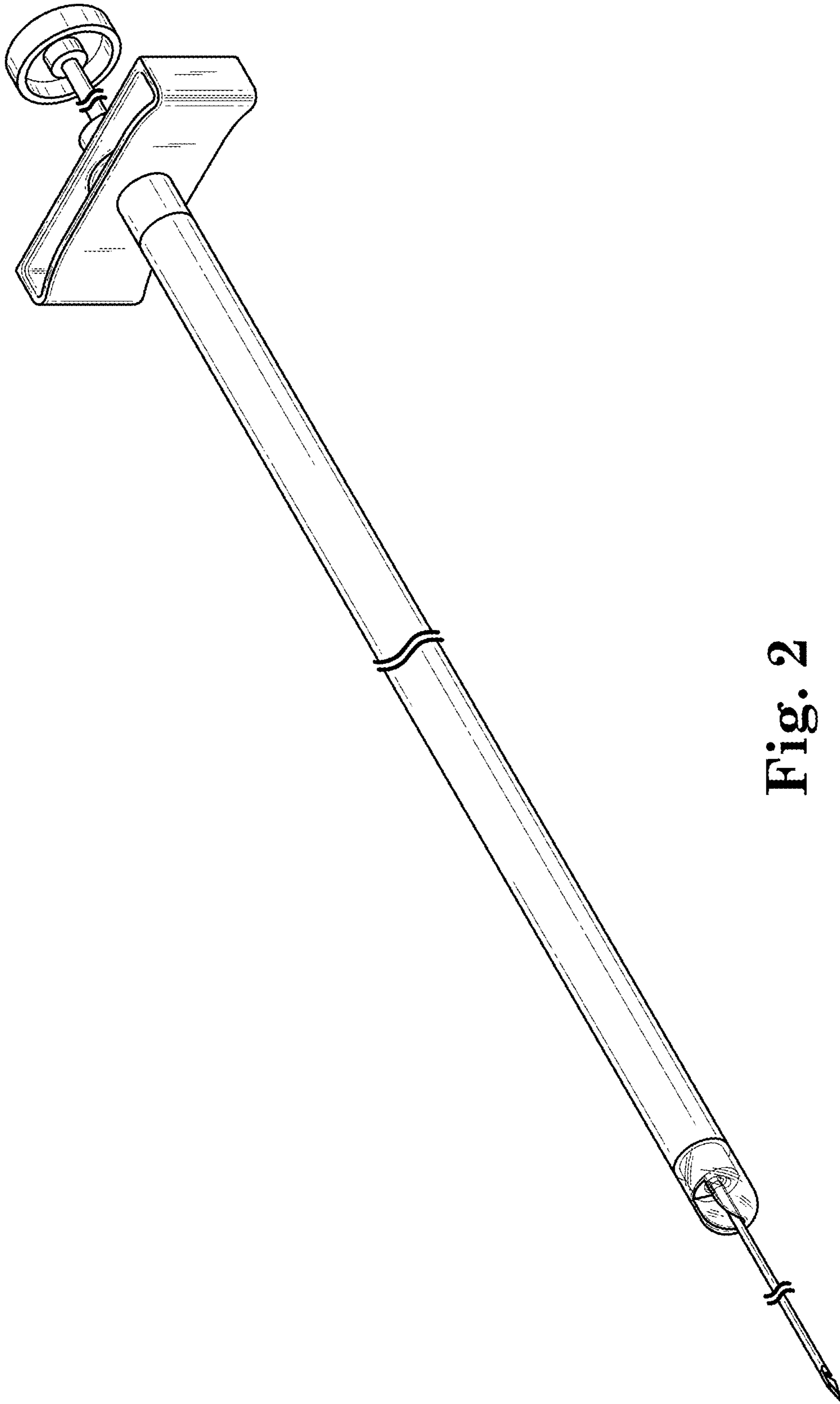


Fig. 2

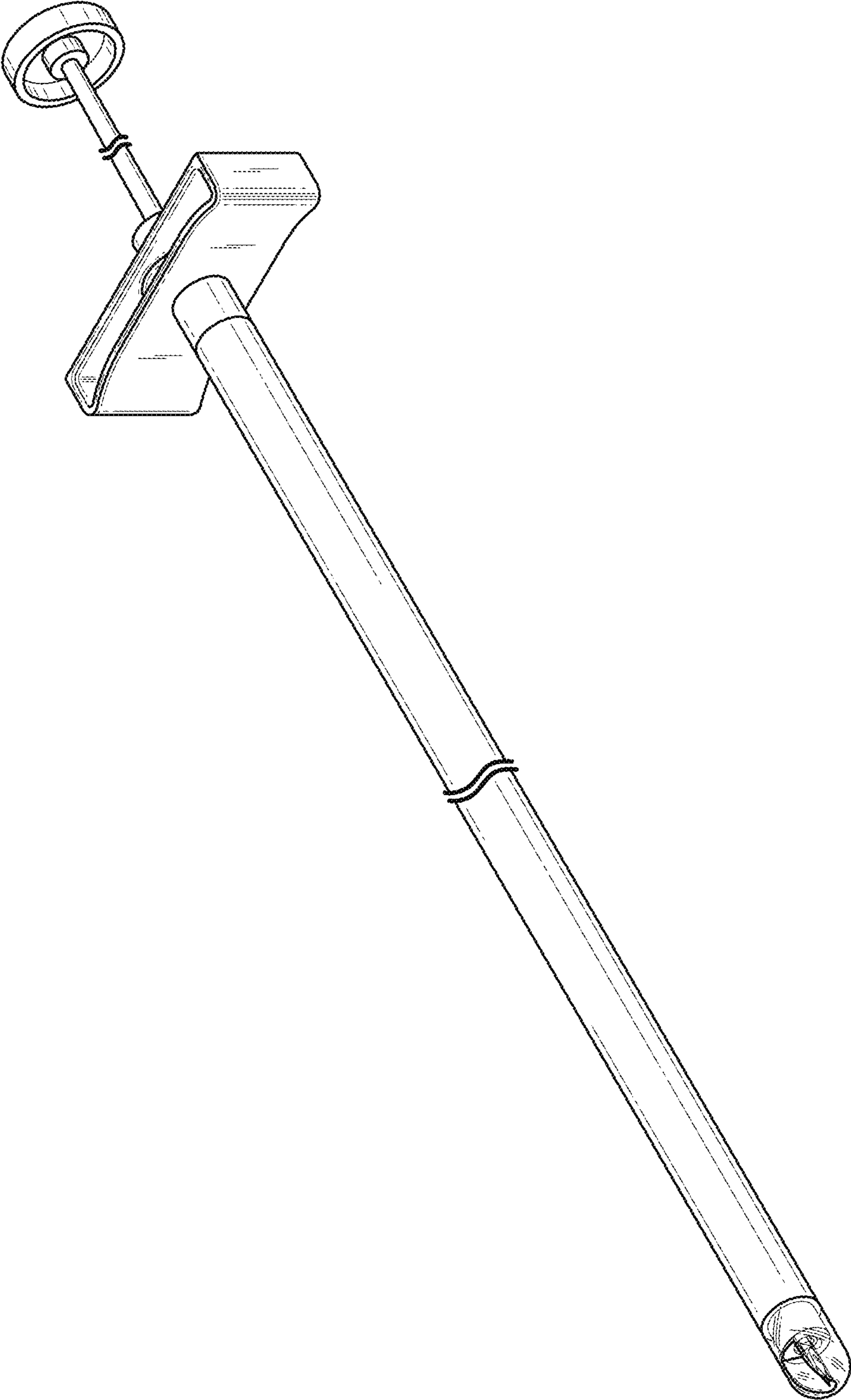


Fig. 3

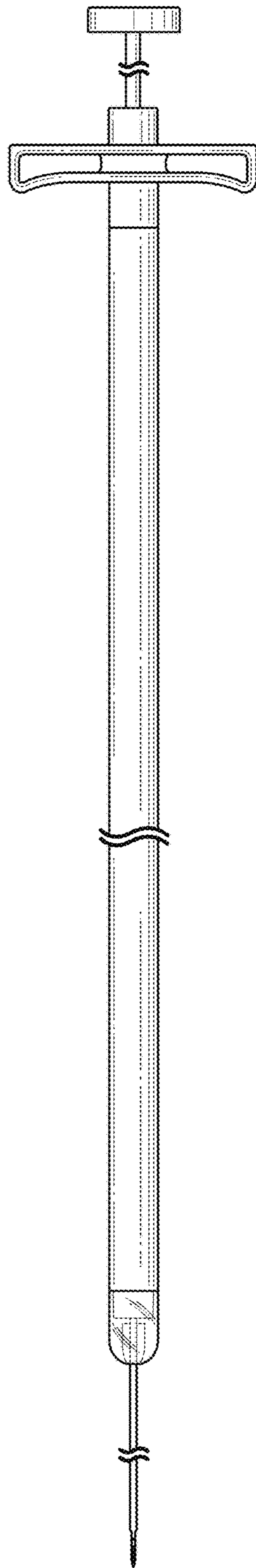


Fig. 4

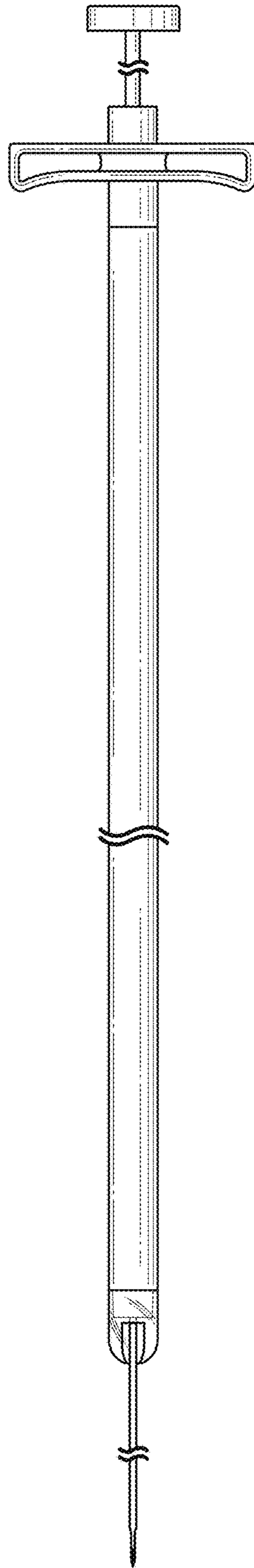


Fig. 5

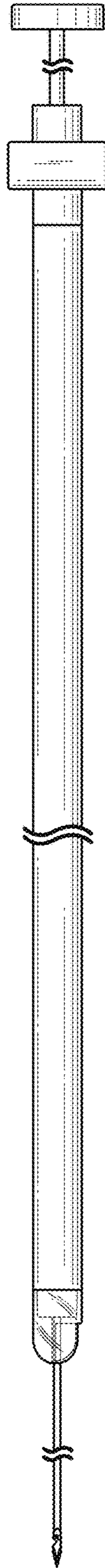


Fig. 6

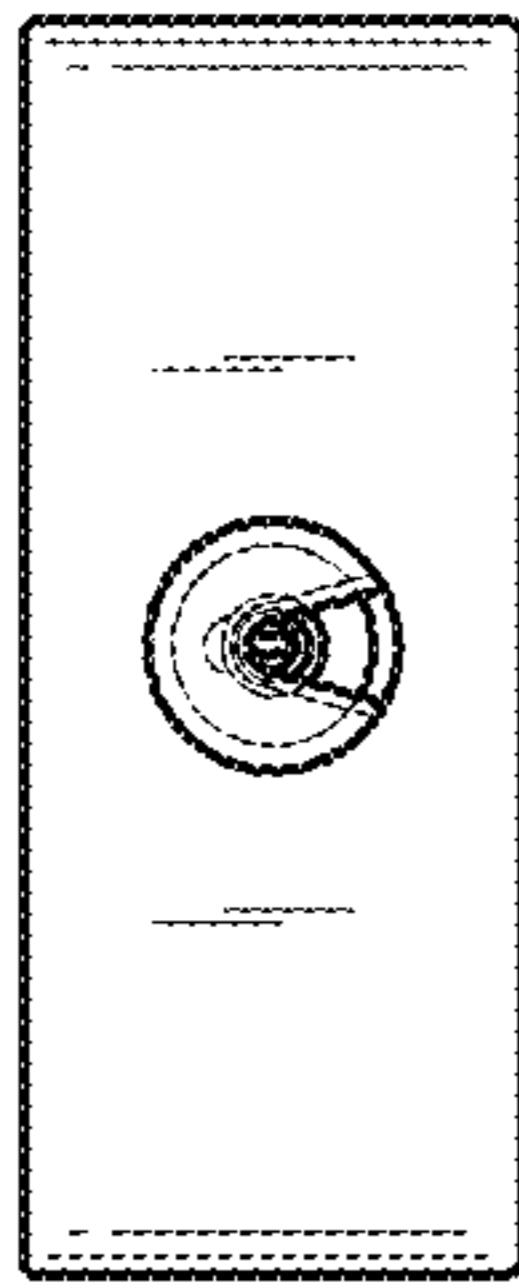


Fig. 7

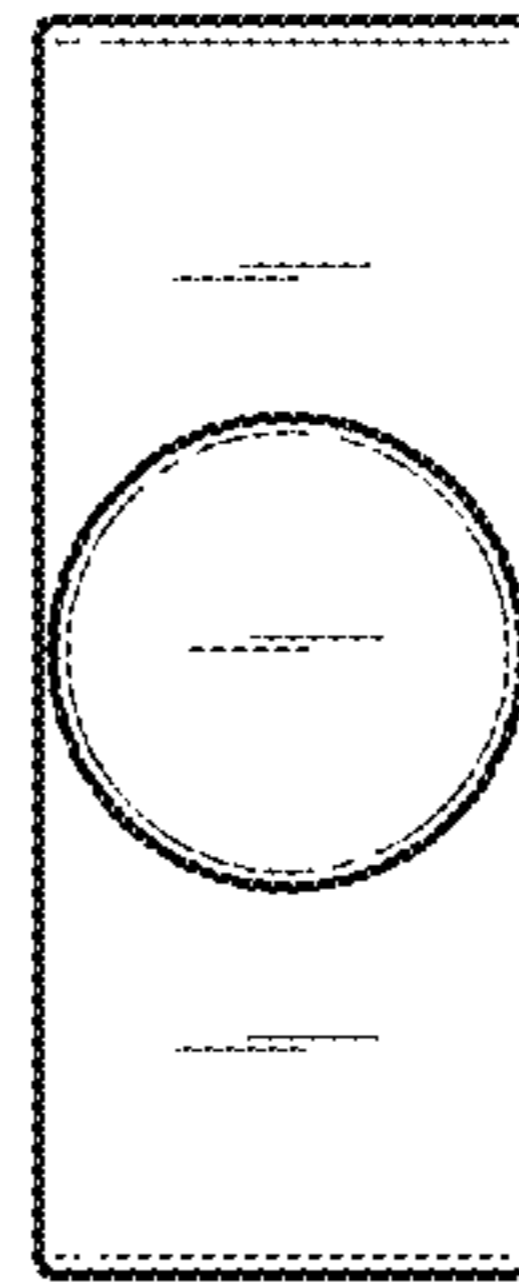


Fig. 8

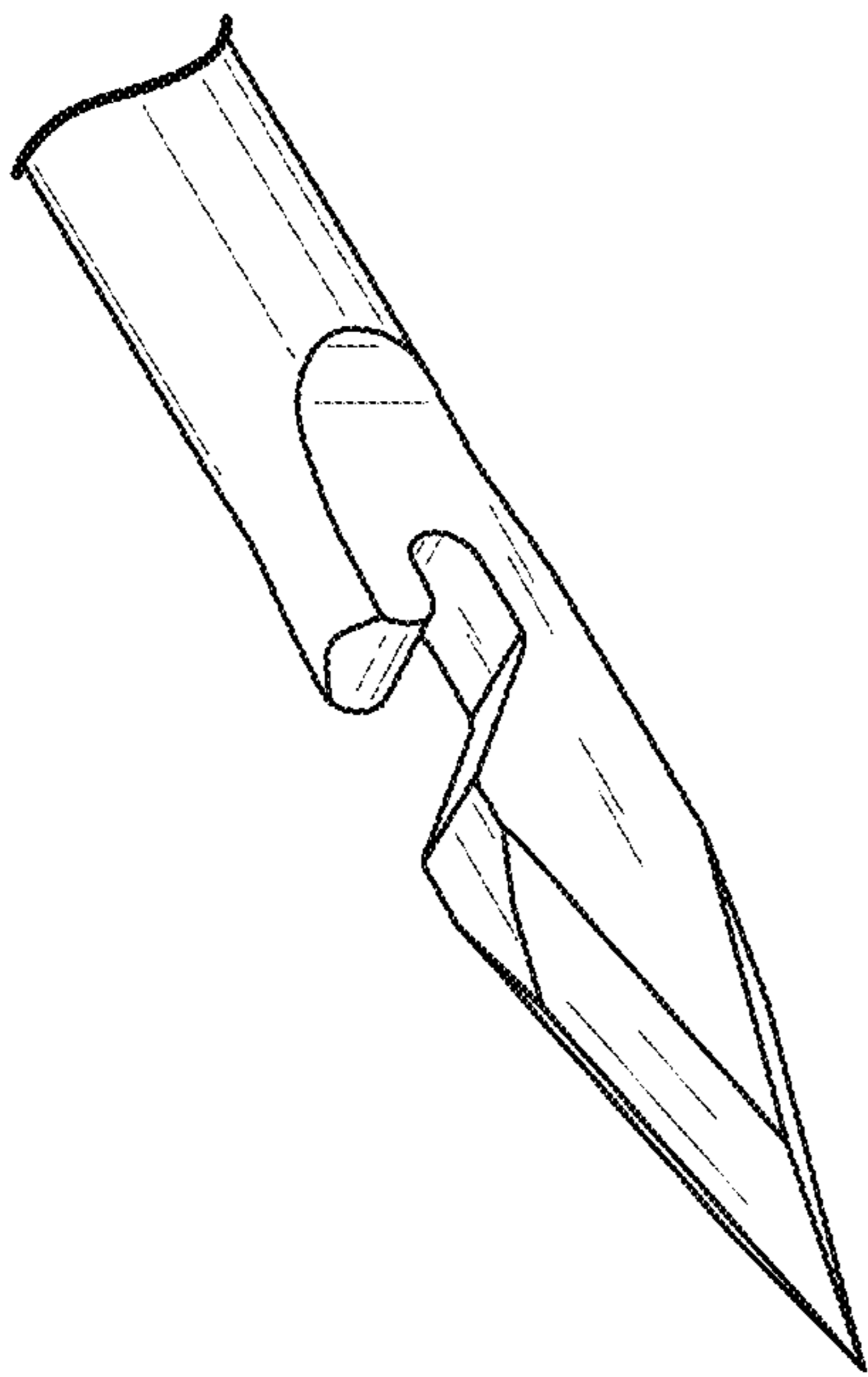


Fig. 9

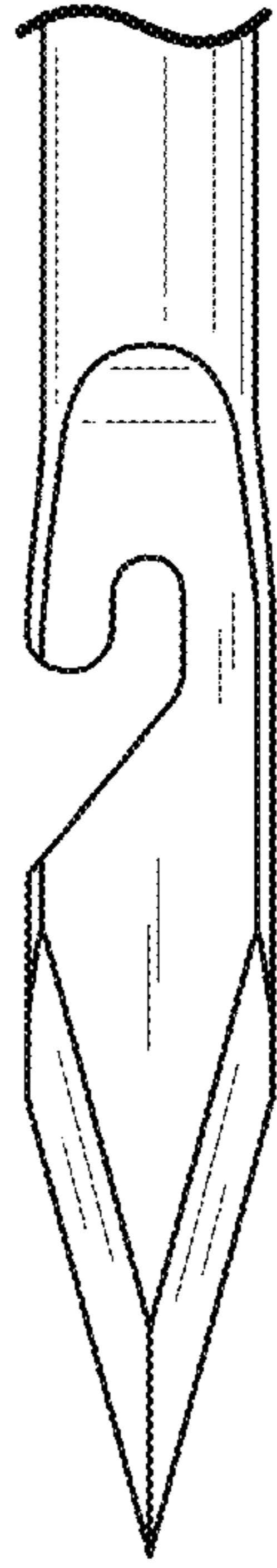


Fig. 10

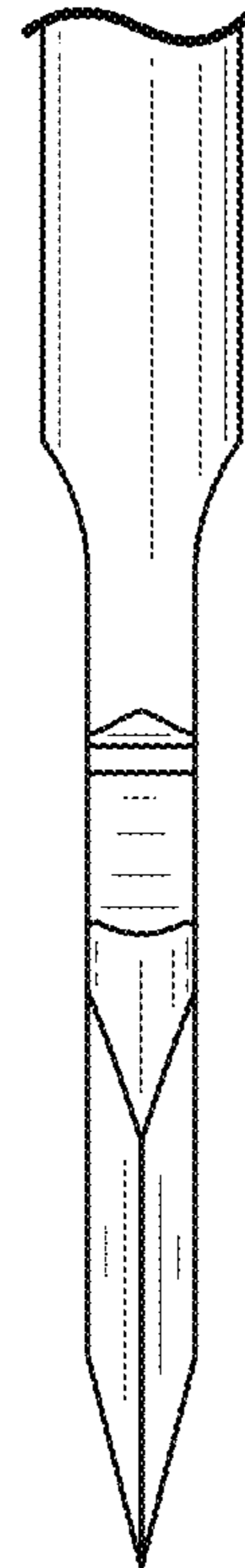


Fig. 11

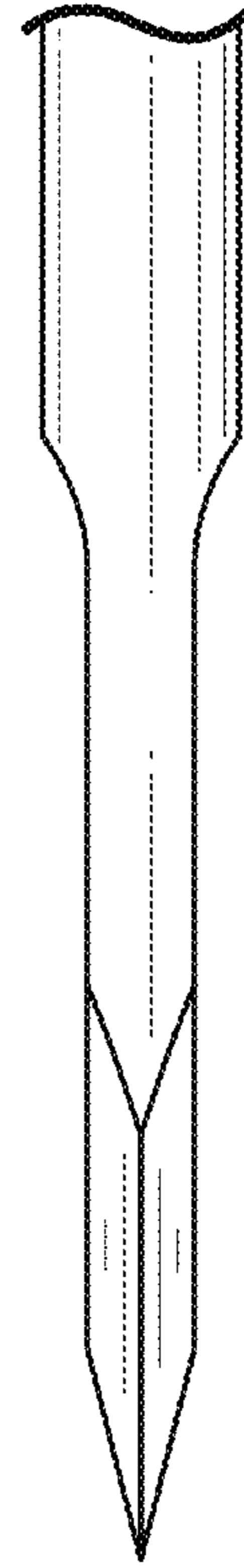


Fig. 12