



US00D792967S

(12) **United States Design Patent**  
**Moritani**

(10) **Patent No.:** **US D792,967 S**

(45) **Date of Patent:** **\*\* Jul. 25, 2017**

(54) **DISPOSABLE DIAPER**

(71) Applicant: **DAIO PAPER CORPORATION**,  
Shikokuchuo-shi (JP)

(72) Inventor: **Akie Moritani**, Shikokuchuo (JP)

(73) Assignee: **Daio Paper Corporation**, Ehime (JP)

(\*\*) Term: **14 Years**

(21) Appl. No.: **29/523,779**

(22) Filed: **Apr. 14, 2015**

(30) **Foreign Application Priority Data**

Oct. 15, 2014 (JP) ..... 2014-023070

(51) **LOC (10) Cl.** ..... **24-04**

(52) **U.S. Cl.**  
USPC ..... **D24/126**

(58) **Field of Classification Search**  
USPC ..... D2/700, 701, 711-714; D24/124, 125,  
D24/126; 604/385.3, 391  
See application file for complete search history.

(56) **References Cited**

**U.S. PATENT DOCUMENTS**

- 4,981,480 A \* 1/1991 Gaudet ..... A61F 13/49004  
2/221
- D423,098 S \* 4/2000 Stancyk, Jr. .... D24/124
- D500,131 S \* 12/2004 Choice ..... D24/125
- D558,335 S \* 12/2007 Willhaus ..... D24/126
- D647,200 S \* 10/2011 Slaughter ..... D24/126
- D679,006 S \* 3/2013 Fuchs ..... D24/126
- D693,922 S \* 11/2013 Frias ..... D24/126
- D745,143 S \* 12/2015 Coates ..... D24/126
- D762,849 S \* 8/2016 Davenport ..... D24/126

(Continued)

**FOREIGN PATENT DOCUMENTS**

JP 2013-15978 10/2014

**OTHER PUBLICATIONS**

Decision of Refusal issued by the Japanese Patent Office in Japanese design application No. 2014-023070, dispatched Jul. 7, 2016 (3 pages).

(Continued)

*Primary Examiner* — Garth Rademaker

*Assistant Examiner* — Samantha Q Lawrence

(74) *Attorney, Agent, or Firm* — Finnegan, Henderson, Farabow, Garrett & Dunner, L.L.P.

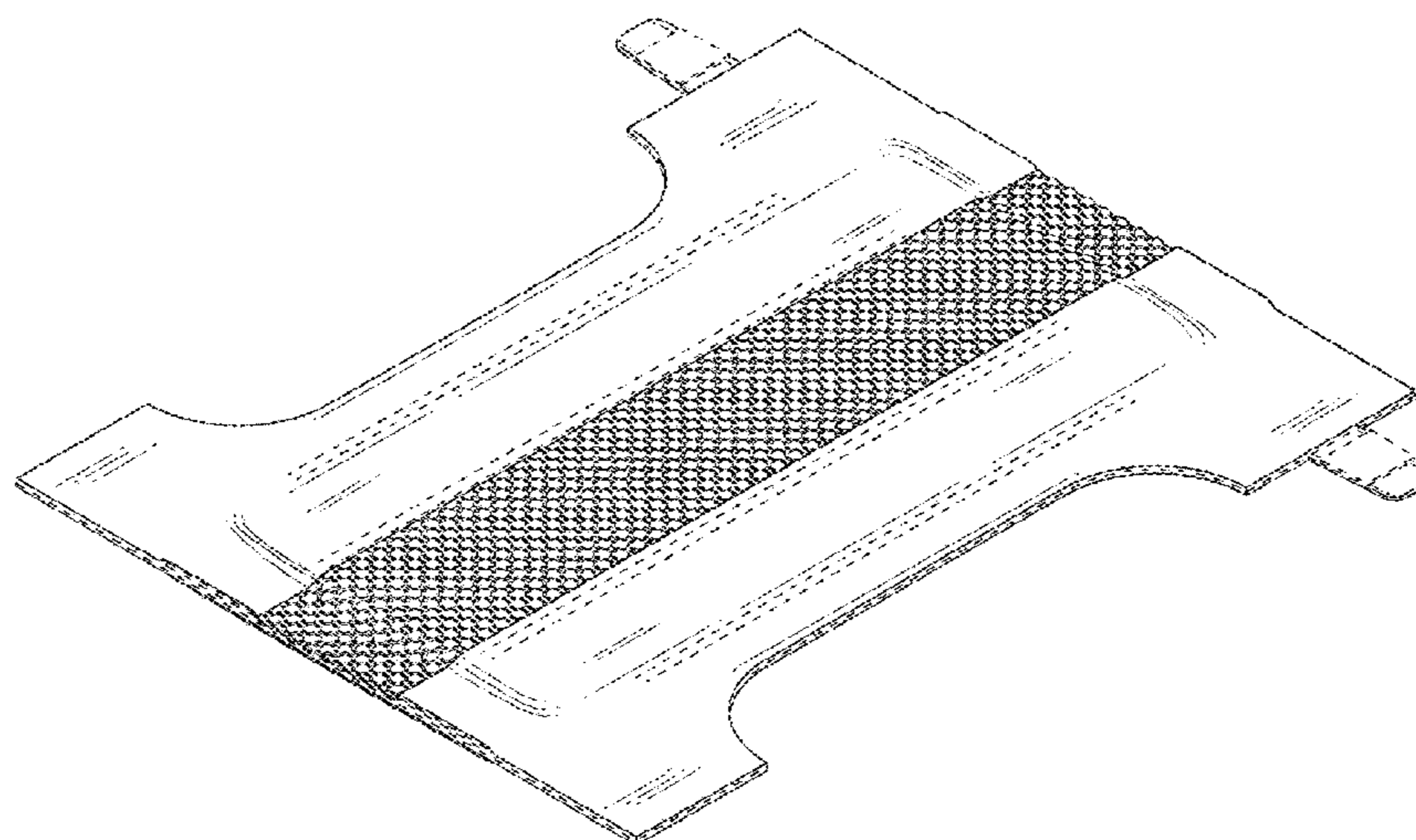
(57) **CLAIM**

The ornamental design for a disposable diaper, as shown and described.

**DESCRIPTION**

FIG. 1 is a front, right perspective view of a disposable diaper showing my new design;  
 FIG. 2 is a front elevation view thereof;  
 FIG. 3 is a rear elevation view thereof;  
 FIG. 4 is a left side view thereof, with the right side view being identical thereto;  
 FIG. 5 is top plan view thereof, with the bottom plan view being identical thereto;  
 FIG. 6 is an enlarged, detail front view of the area 6 circumscribed within FIG. 2; and,  
 FIG. 7 is a cross-sectional view along line 7-7 of FIG. 6.  
 The portions depicted in FIGS. 1-5 and 7 in dash-dash broken lines of even length are environment and form no part of the claimed design. The portions depicted in FIG. 7 in dot-dash broken lines of uneven length define the unclaimed boundary of the claimed design. The portions depicted in dot-dot broken lines lines surrounding the detail area of FIGS. 2 and 6 depict boundaries of the area and form no part of the claimed design. The diagonal lines in FIG. 7 are cross-sectional lines.

**1 Claim, 7 Drawing Sheets**



(56)

**References Cited**

U.S. PATENT DOCUMENTS

2010/0249738 A1\* 9/2010 Tondkar ..... A61F 13/49  
604/367  
2011/0082435 A1\* 4/2011 Davis ..... A61F 13/55105  
604/385.06

OTHER PUBLICATIONS

Notification of Reasons for Refusal issued in Japanese Design  
Application No. 2014-023070, mailed on Feb. 3, 2016 (2 pages).  
Notification of Reasons for Refusal issued in Japanese Design  
Application No. 2014-023070, mailed on May 12, 2015 (2 pages).

\* cited by examiner

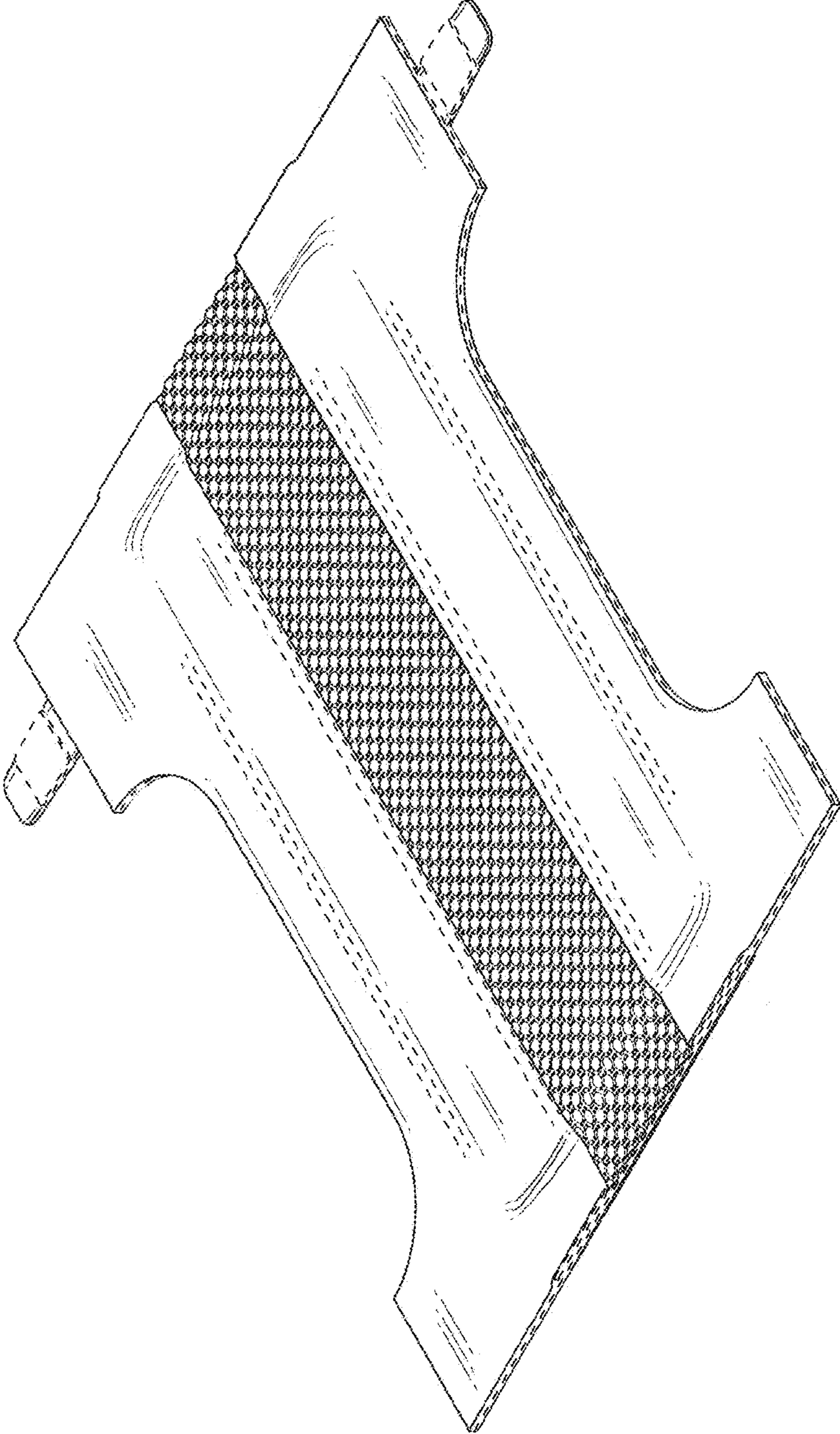


FIG. 1

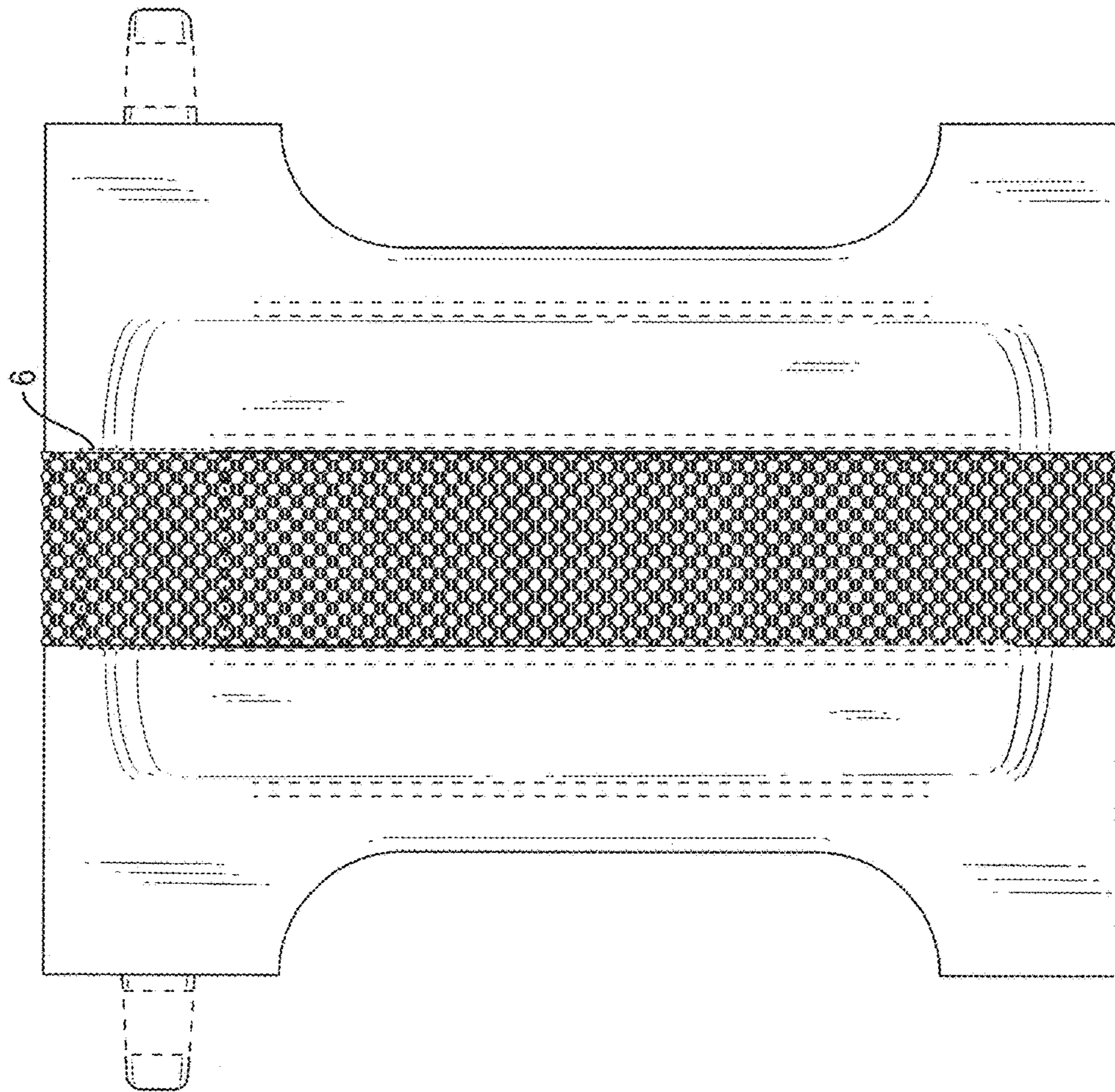


FIG. 2

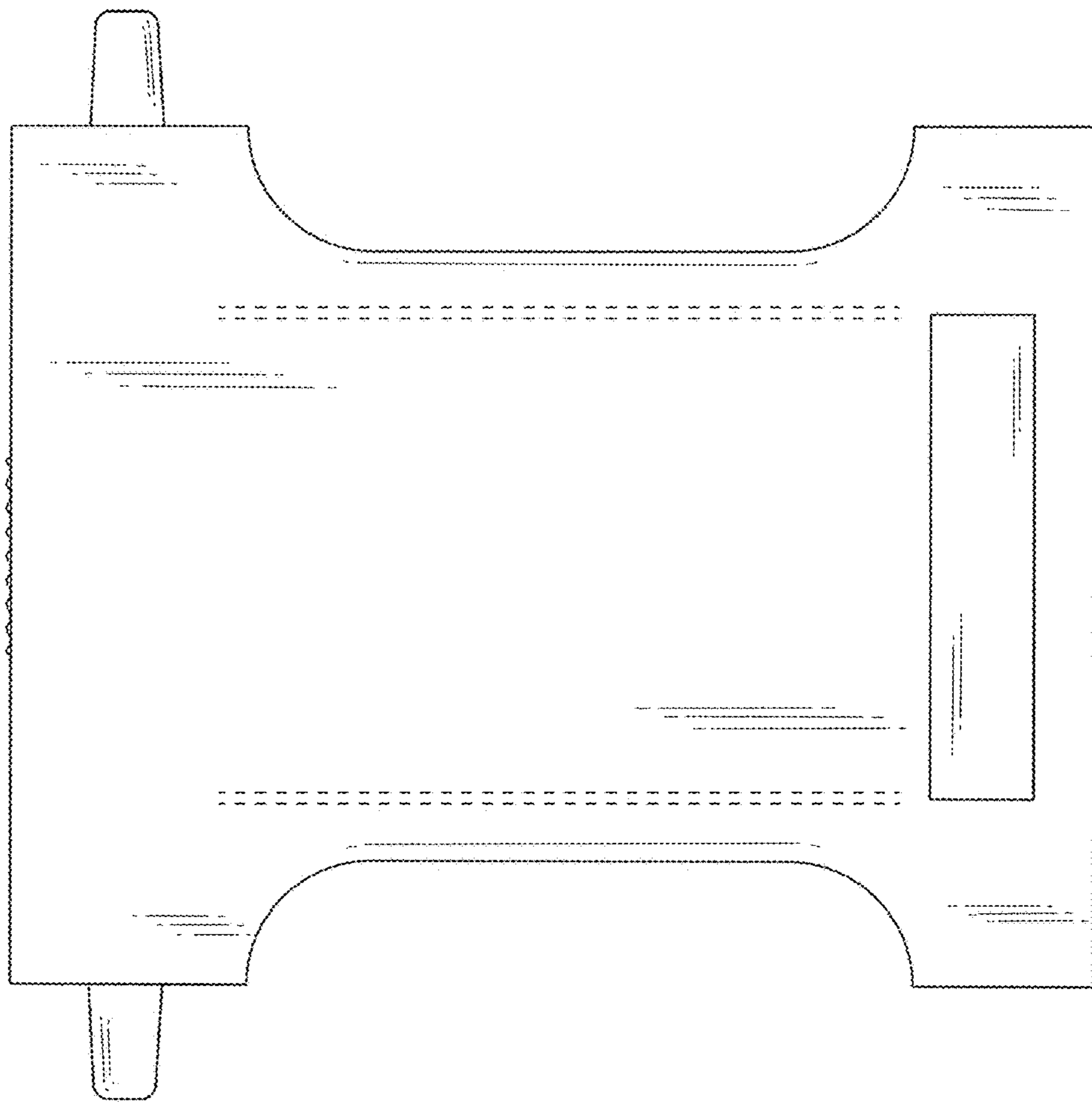
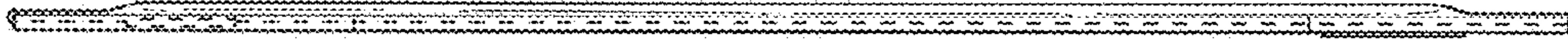


FIG. 3



**FIG. 4**



FIG. 5

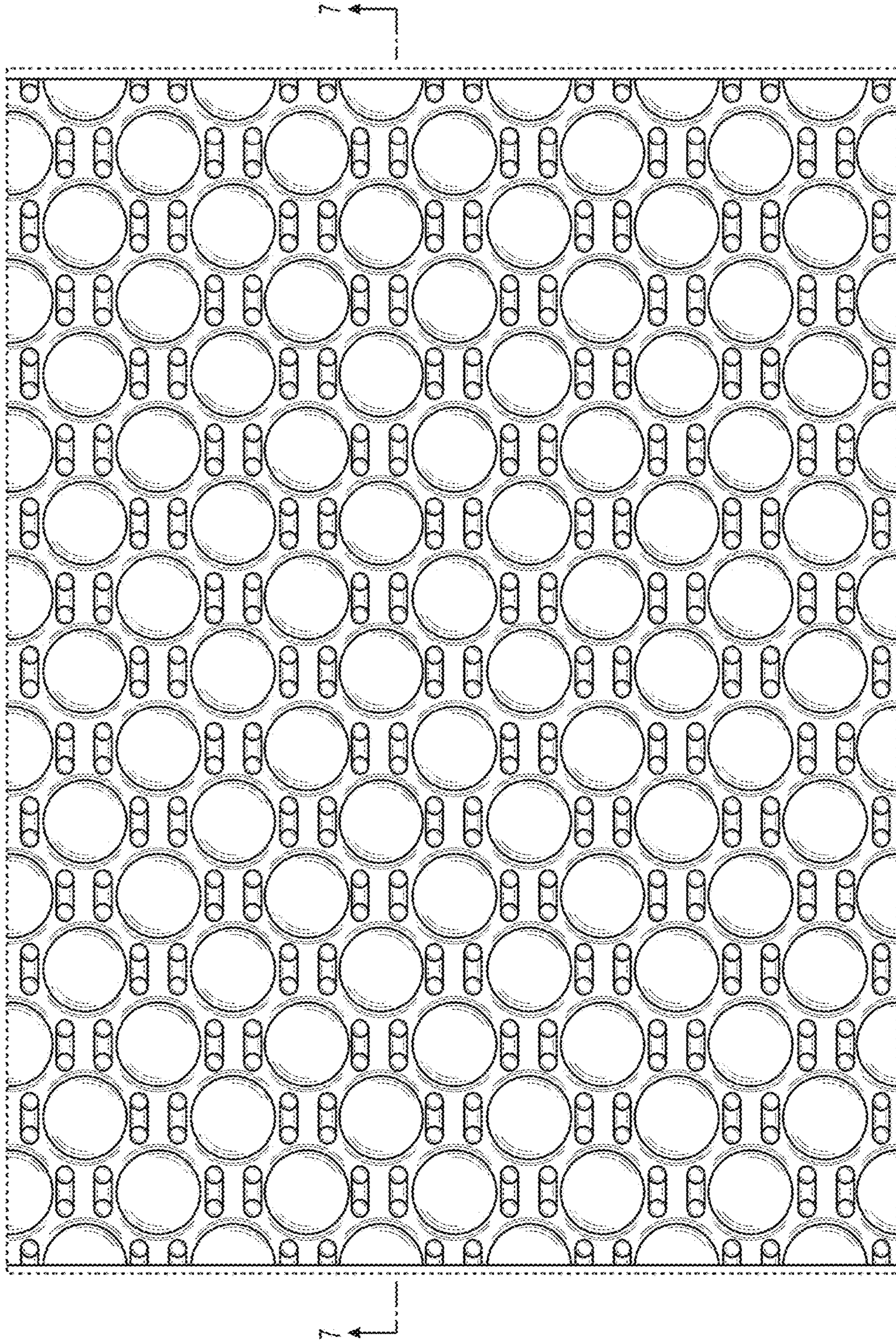
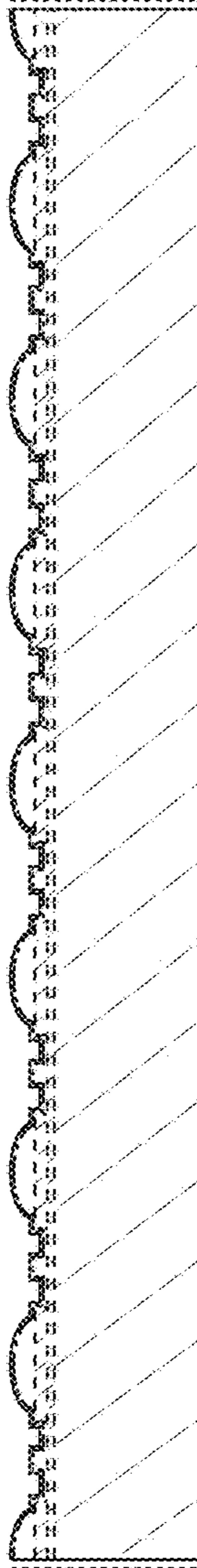


FIG. 6





**FIG. 7**