



US00D792965S

(12) **United States Design Patent** (10) **Patent No.:** **US D792,965 S**
Stober et al. (45) **Date of Patent:** **** Jul. 25, 2017**

(54) **REUSABLE MENSTRUAL PAD**

(71) Applicant: **INTERNATIONAL COALITION FOR JUSTICE**, Vacaville, CA (US)

(72) Inventors: **Emma Stober**, Suisun City, CA (US); **Jessica Thomsen**, Durham, NC (US); **Angela Jeter**, Edgerton, WI (US)

(73) Assignee: **International Coalition for Justice**, Vacaville, CA (US)

(**) Term: **14 Years**

(21) Appl. No.: **29/484,243**

(22) Filed: **Mar. 7, 2014**

(51) **LOC (10) Cl.** **24-04**

(52) **U.S. Cl.**
USPC **D24/124**

(58) **Field of Classification Search**
USPC D24/124-126

(Continued)

(56) **References Cited**

U.S. PATENT DOCUMENTS

3,570,491 A * 3/1971 Sneider A61F 13/47236
604/366

D506,254 S * 6/2005 Carlucci D24/124
(Continued)

Primary Examiner — Michael A. Pratt

Assistant Examiner — Michelle E Wilson

(74) *Attorney, Agent, or Firm* — Knobbe Martens Olson & Bear LLP

(57) **CLAIM**

The ornamental design for a reusable menstrual pad, as shown and described herein.

DESCRIPTION

FIG. 1 is a top view of an embodiment of a reusable menstrual pad in an open position.

FIG. 2 is a first bottom view of an embodiment of a reusable menstrual pad in an open position.

FIG. 3 is a second bottom view of an embodiment of a reusable menstrual pad in an open position.

FIG. 4 is a perspective view of the bottom side of an embodiment of a reusable menstrual pad in a closed position.

FIG. 5 is an exploded perspective view of the top side of an embodiment of a reusable menstrual pad in a closed position with a reusable liner insert.

FIG. 6 is a second perspective view of the top side of an embodiment of a reusable menstrual pad in a closed position with a reusable liner insert.

FIG. 7 is a second exploded perspective view of the top side of an embodiment of a reusable menstrual pad in a closed position with a reusable liner insert.

FIG. 8 is a third perspective view of the top side of an embodiment of a reusable menstrual pad in a closed position with a reusable liner insert.

FIG. 9 is a fourth perspective view showing an embodiment of a reusable menstrual pad in a closed position in one potential environment.

FIG. 10 is a first side view of an embodiment of a reusable menstrual pad in an open position.

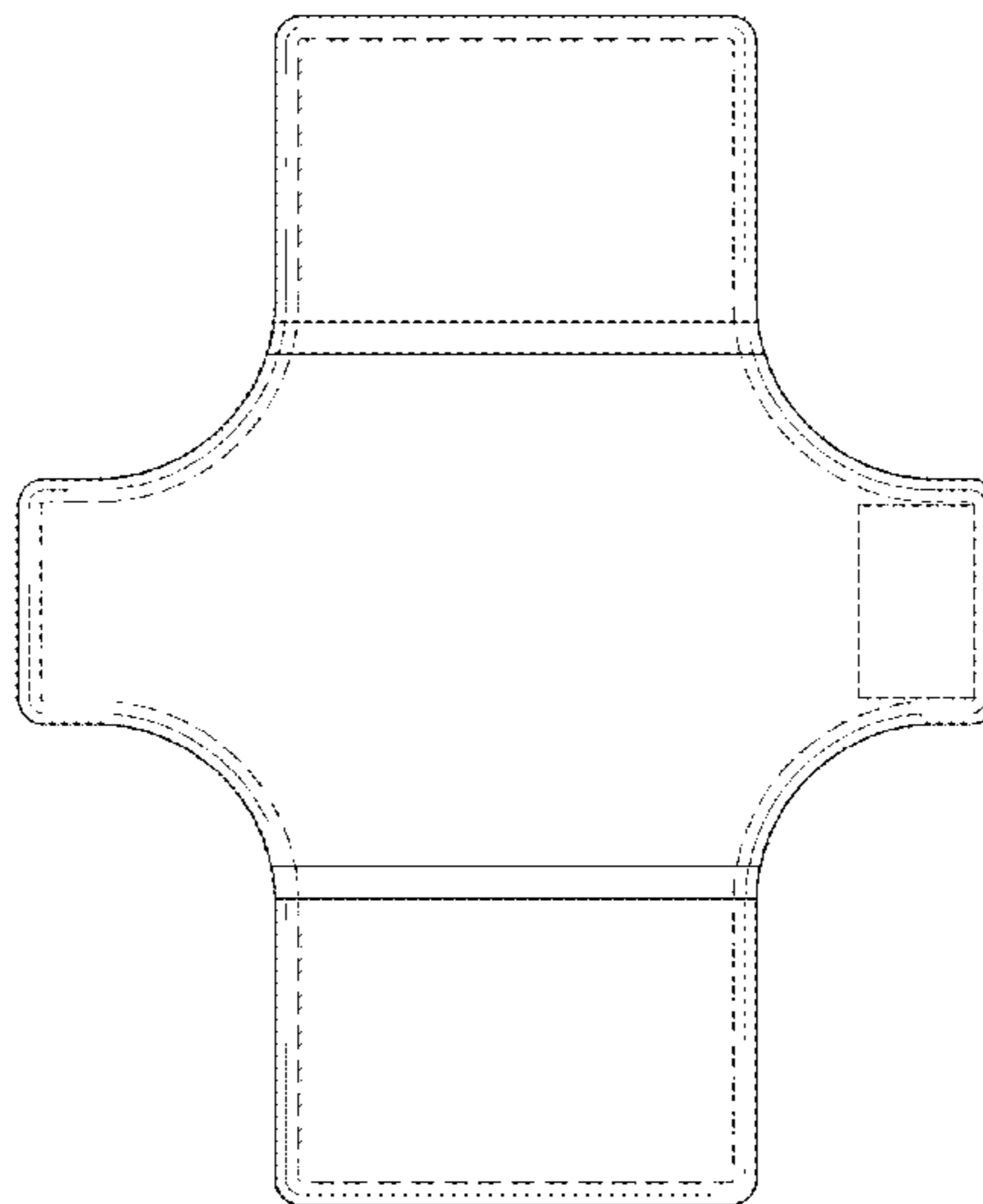
FIG. 11 is a second side view of an embodiment of a reusable menstrual pad in an open position.

FIG. 12 is a third side view of an embodiment of a reusable menstrual pad in an open position; and,

FIG. 13 is a fourth side view of an embodiment of a reusable menstrual pad in an open position.

The regularly spaced broken lines along the perimeter of the reusable menstrual pad in FIGS. 1-5, 7, and 9 represent illustrative stitching and form no part of the claimed design. The remaining broken lines are for illustrative purposes only and form no part of the claimed design. The top view figure (FIG. 1) can be combined with the bottom view figures (FIGS. 2 and 3).

1 Claim, 10 Drawing Sheets



(58) **Field of Classification Search**

CPC A61F 13/476; A61F 13/4704; A61F
13/47245; A61F 13/4702; A61F 13/533;
A61F 13/47263; A61F 13/15203

See application file for complete search history.

(56) **References Cited**

U.S. PATENT DOCUMENTS

D571,003 S * 6/2008 Knuth D24/124
D572,910 S * 7/2008 Schreiner D24/124
D592,743 S * 5/2009 Moennig D24/124
D639,935 S * 6/2011 Margol D24/125
8,016,804 B2 9/2011 Lee
D682,421 S 5/2013 Schumpert-Troxell
8,435,223 B2 5/2013 Roe et al.
2007/0282287 A1 * 12/2007 Noda A61F 13/4704
604/385.16
2008/0147028 A1 * 6/2008 Luna A61F 13/8405
604/359
2009/0062761 A1 * 3/2009 Goerg-Wood A61F 13/625
604/385.01
2012/0310194 A1 12/2012 Fernández

* cited by examiner

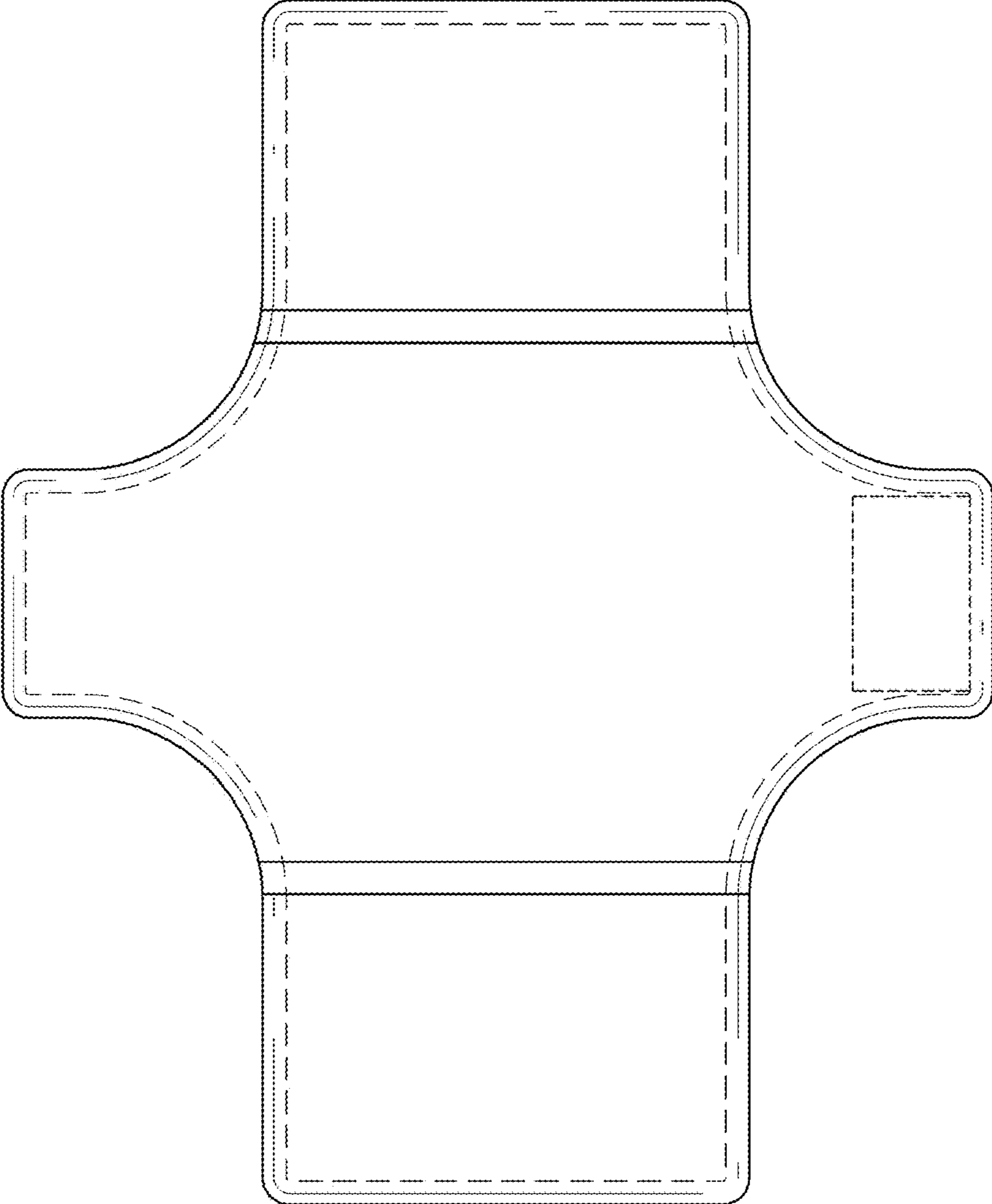


FIG. 1

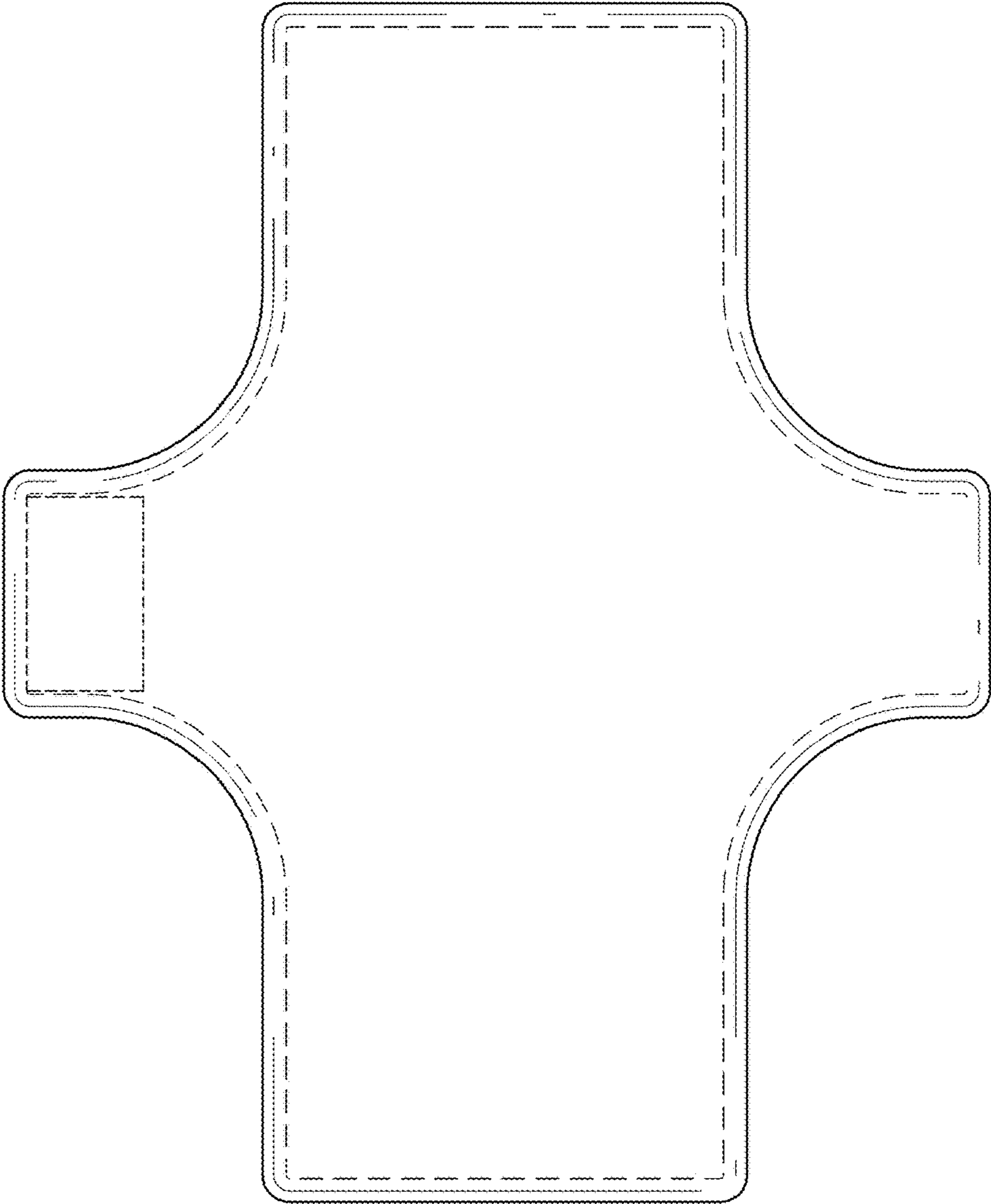


FIG. 2

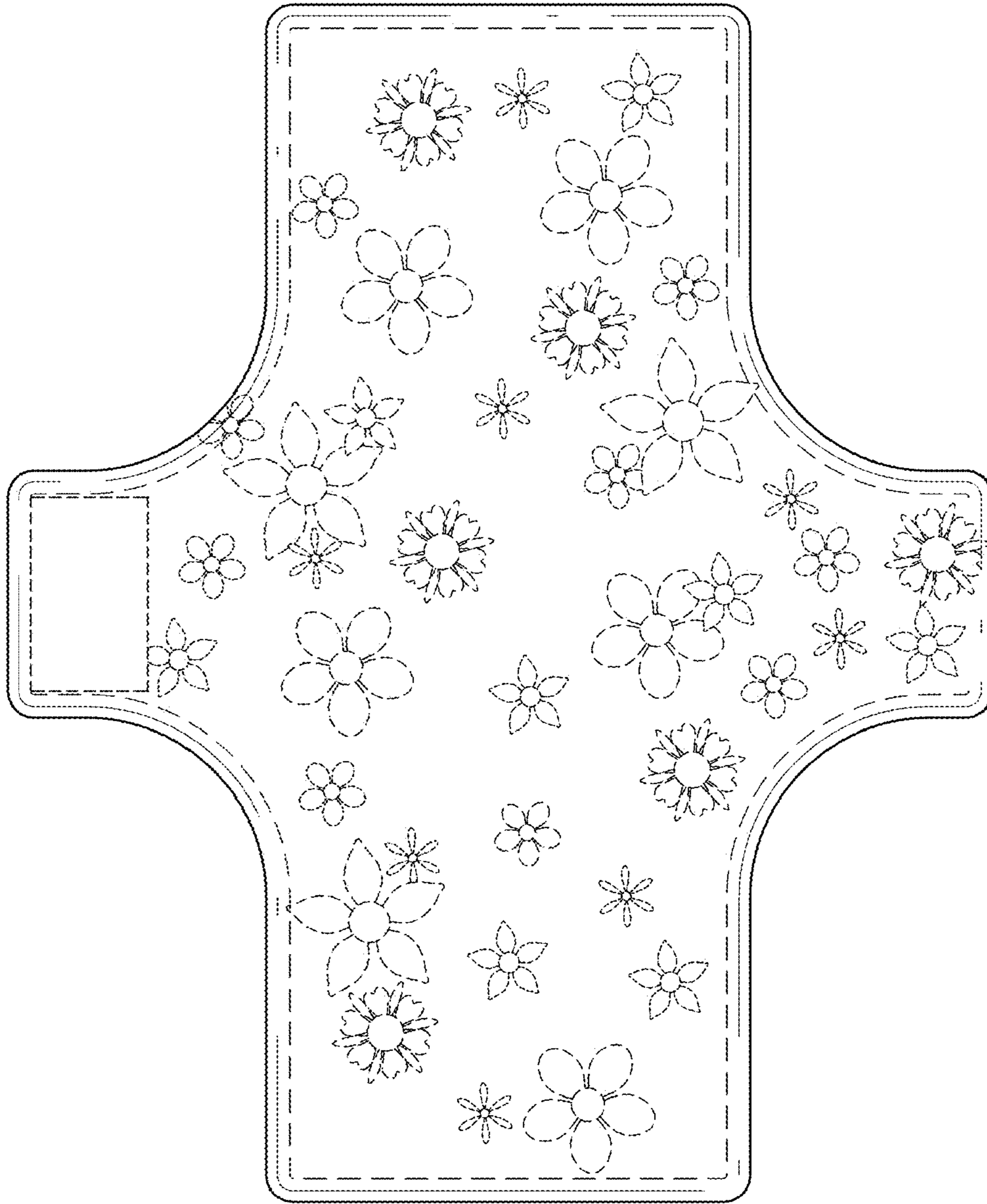


FIG. 3

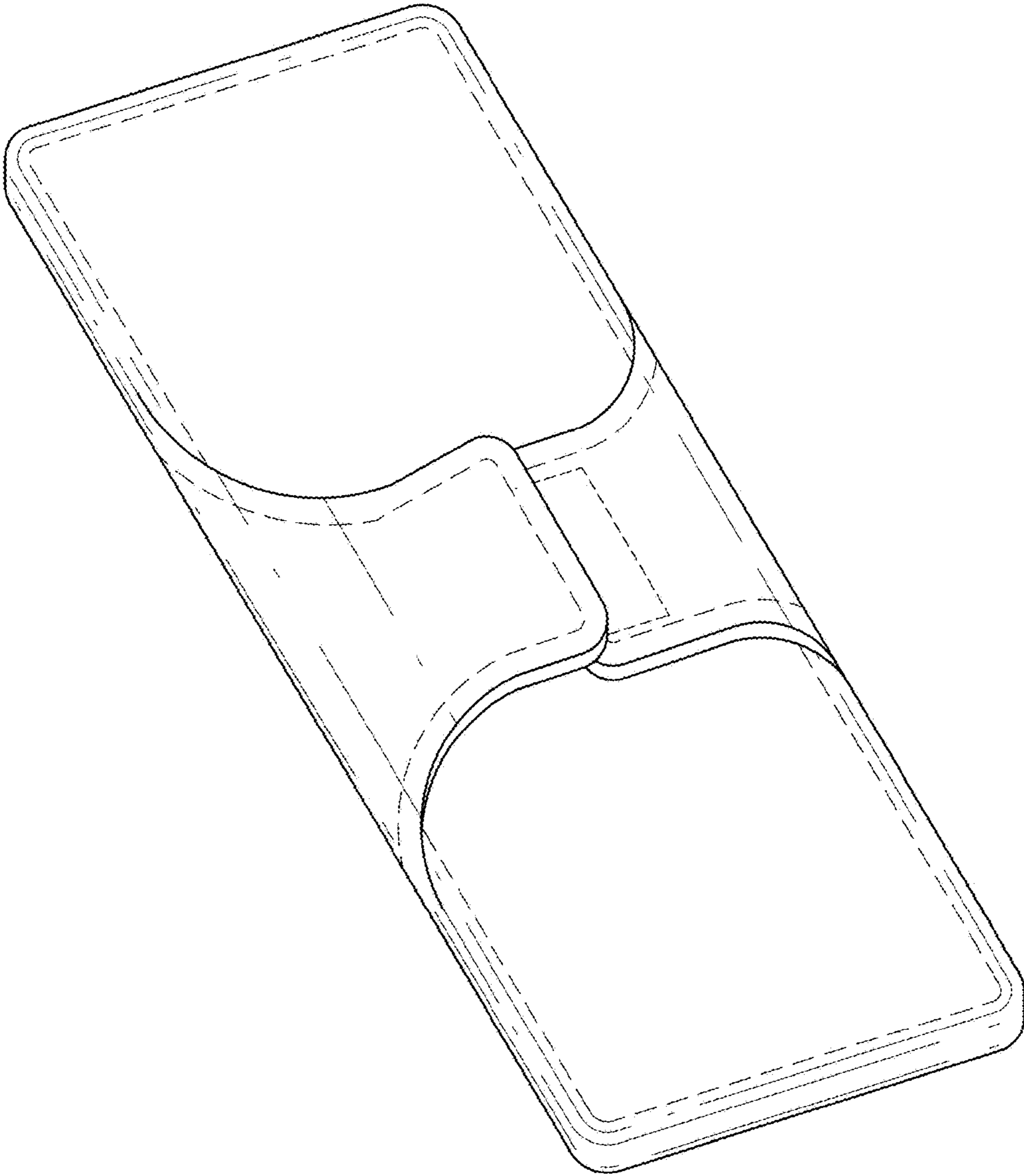


FIG. 4

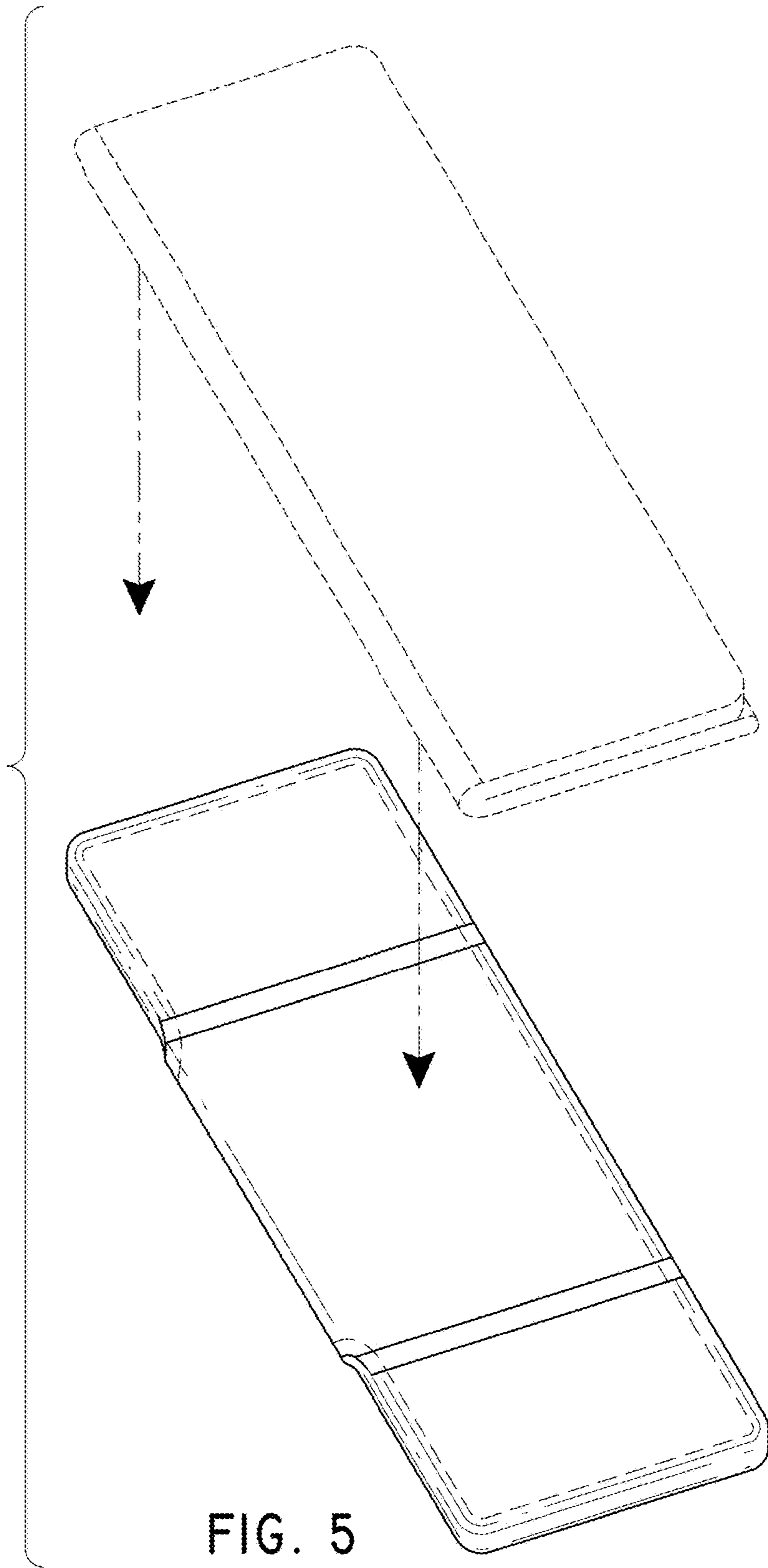


FIG. 5

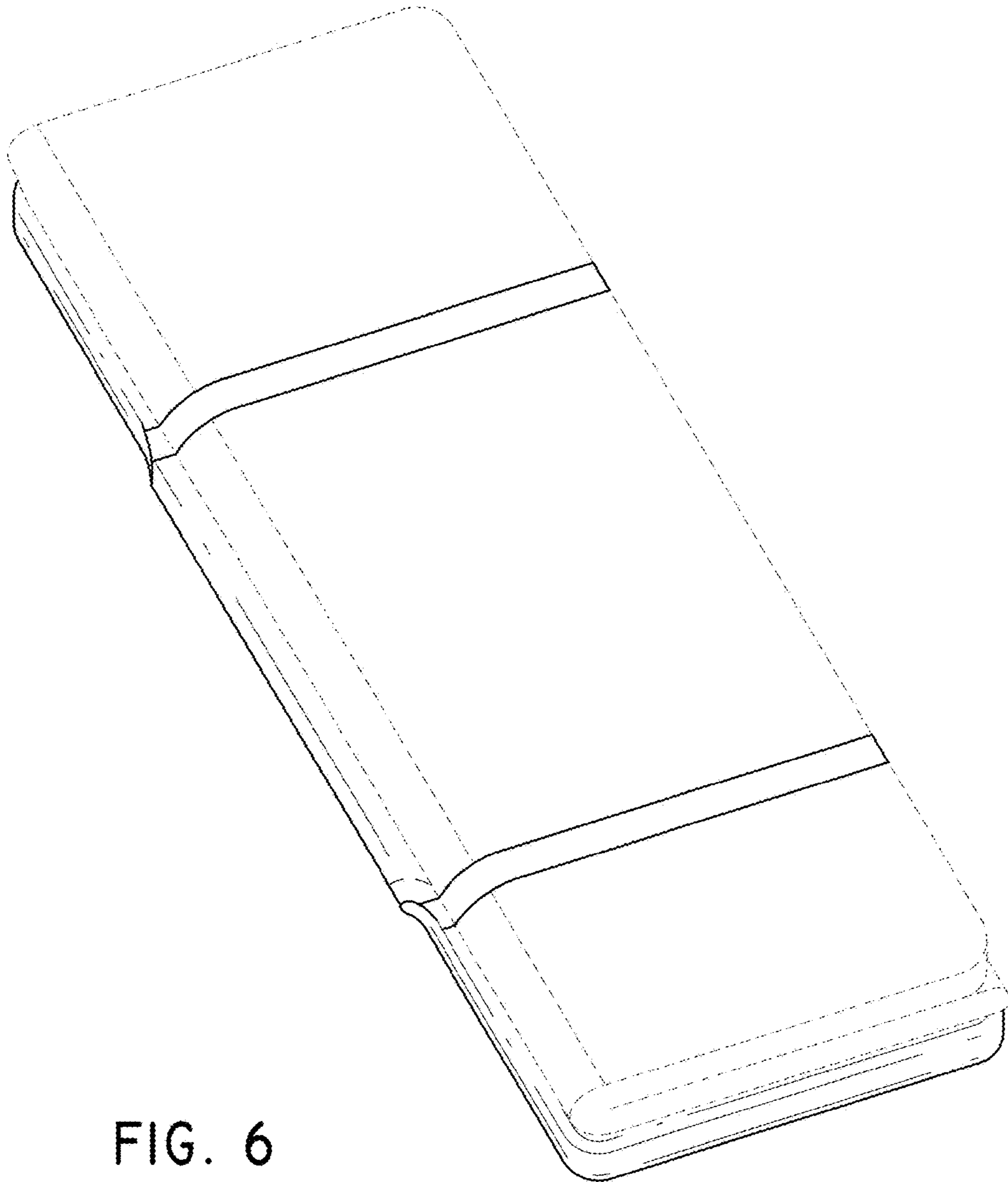


FIG. 6

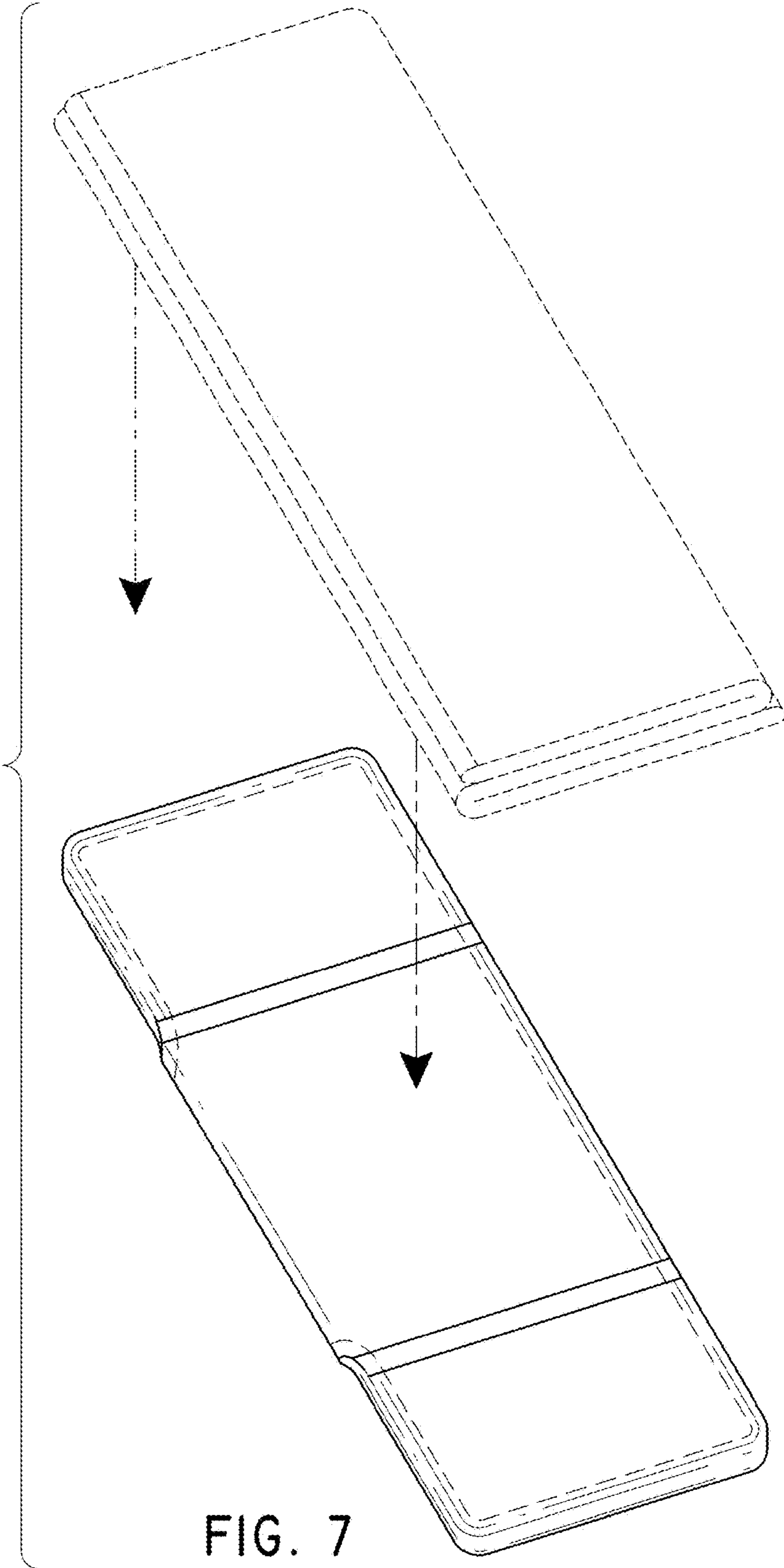


FIG. 7

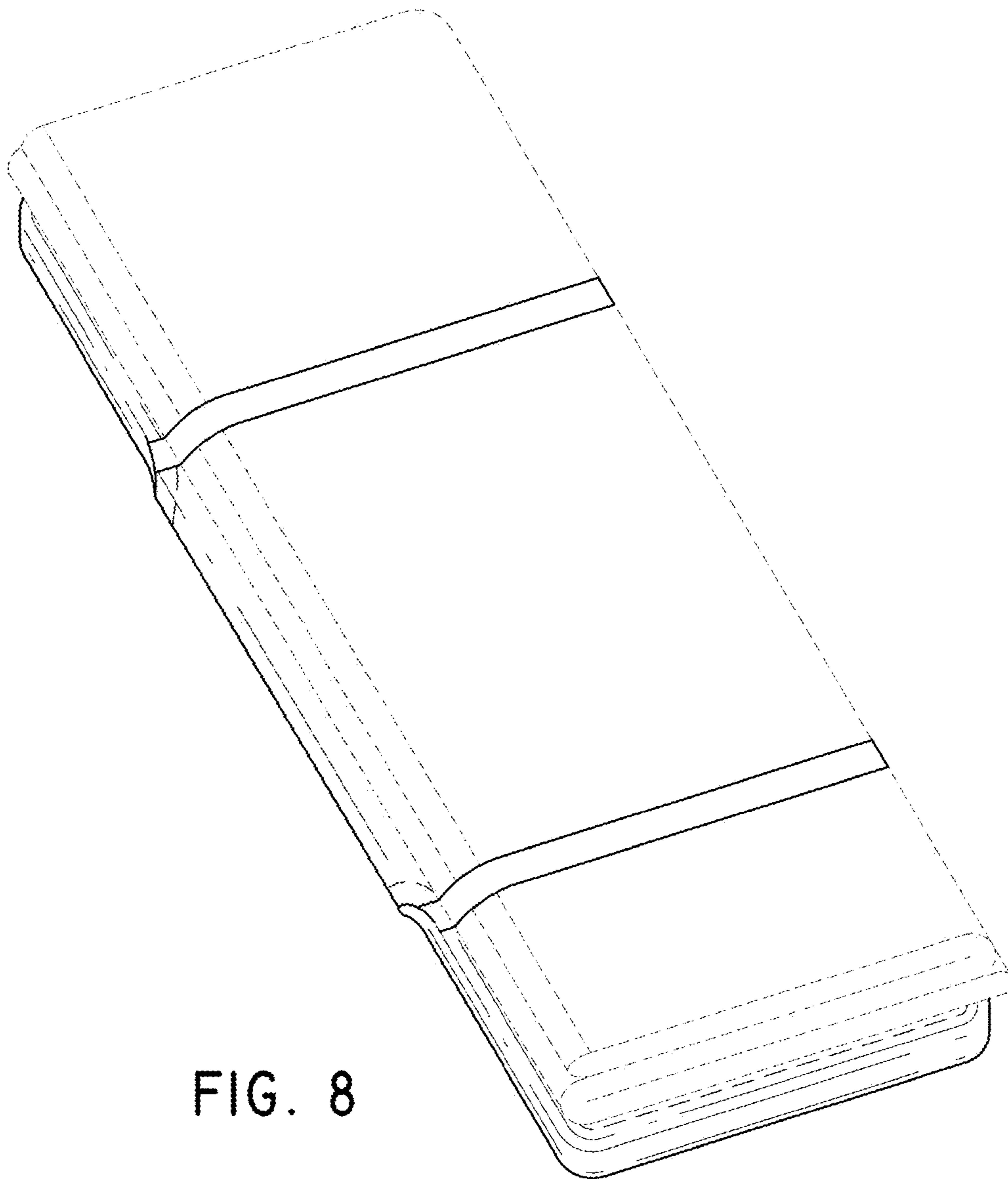


FIG. 8

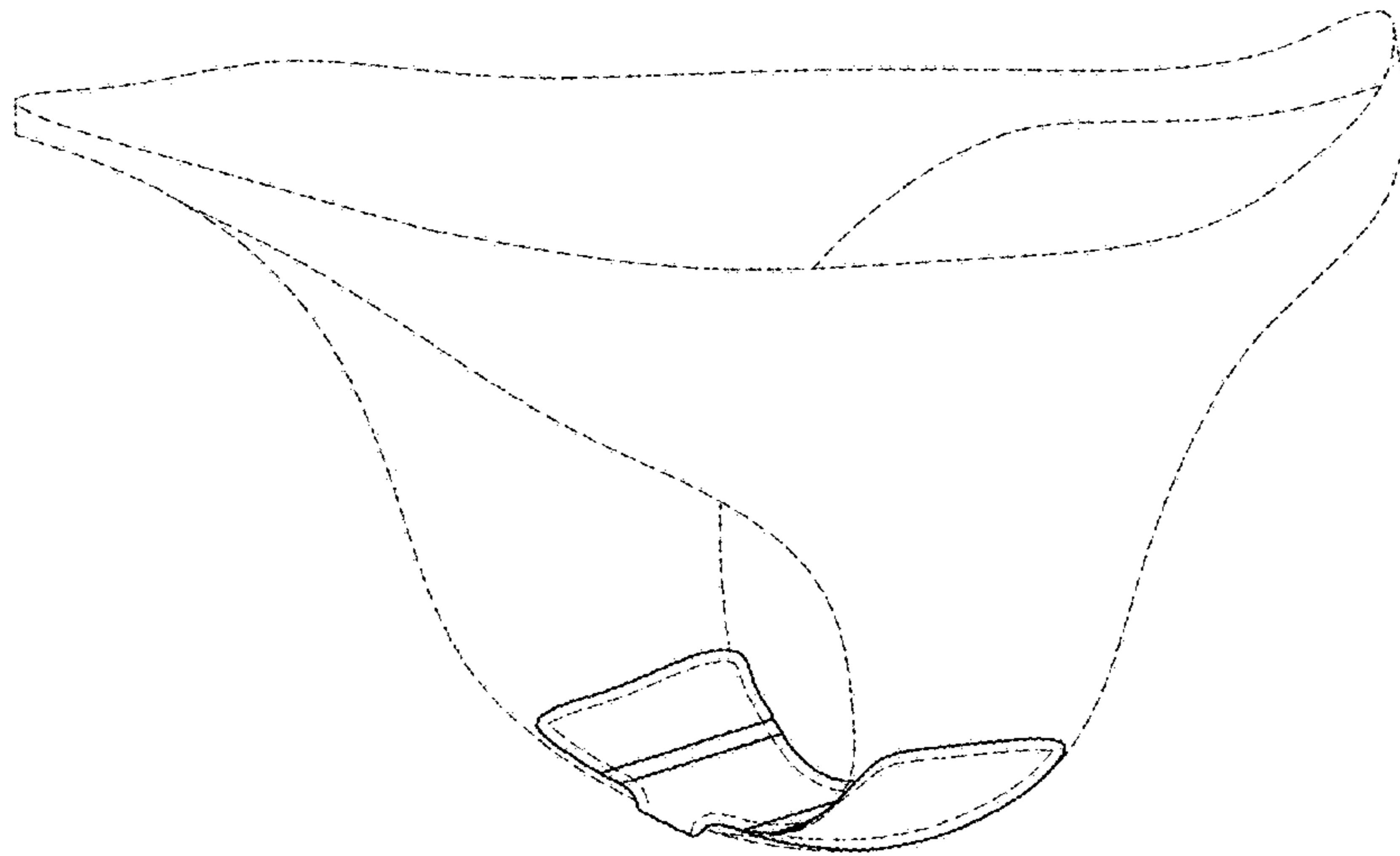


FIG. 9

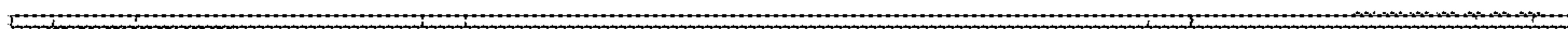


FIG. 10

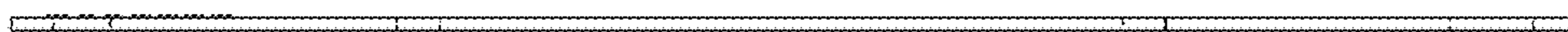


FIG. 11



FIG. 12

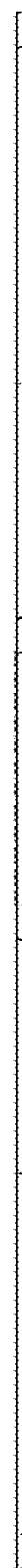


FIG. 13