

US00D792964S

(12) **United States Design Patent** (10) **Patent No.:** **US D792,964 S**
McConnell et al. (45) **Date of Patent:** **** Jul. 25, 2017**

(54) **DISPOSABLE BAG WITH A COLLAR**

5,636,871 A * 6/1997 Field B63B 25/002
114/361
D573,037 S * 7/2008 Murray D9/710
D580,782 S * 11/2008 Murray D9/707
D639,002 S * 5/2011 Dunn D32/37
D639,003 S * 5/2011 Dunn D32/37
D639,004 S * 5/2011 Dunn D32/37
D657,259 S * 4/2012 Garneau D9/702
2013/0168396 A1 * 7/2013 Quan B65F 1/1607
220/495.11

(71) Applicant: **Thomas E. McConnell**, Santa Ynez,
CA (US)

(72) Inventors: **Thomas E. McConnell**, Santa Ynez,
CA (US); **Yafei Lu**, Jiangsu (CN)

(73) Assignee: **Thomas E. McConnell**, Santa Ynez,
CA (US)

(**) Term: **15 Years**

(21) Appl. No.: **29/539,316**

(22) Filed: **Sep. 12, 2015**

(51) **LOC (10) Cl.** **24-02**

(52) **U.S. Cl.**
USPC **D24/118**

(58) **Field of Classification Search**
USPC D24/108, 112-114, 118, 127, 129, 130,
D24/133, 186; 604/332, 334, 337, 339;
D9/702-714; 220/495.08; 383/61.1, 62,
383/104; D32/37

See application file for complete search history.

(56) **References Cited**

U.S. PATENT DOCUMENTS

4,948,266 A * 8/1990 Bencic A47L 9/1445
220/495.08
5,067,821 A * 11/1991 Young A61F 5/44
383/36

* cited by examiner

Primary Examiner — Thomas Johannes

Assistant Examiner — Samantha Q Lawrence

(74) *Attorney, Agent, or Firm* — WPAT, P.C., Intellectual
Property Attorneys; Anthony King

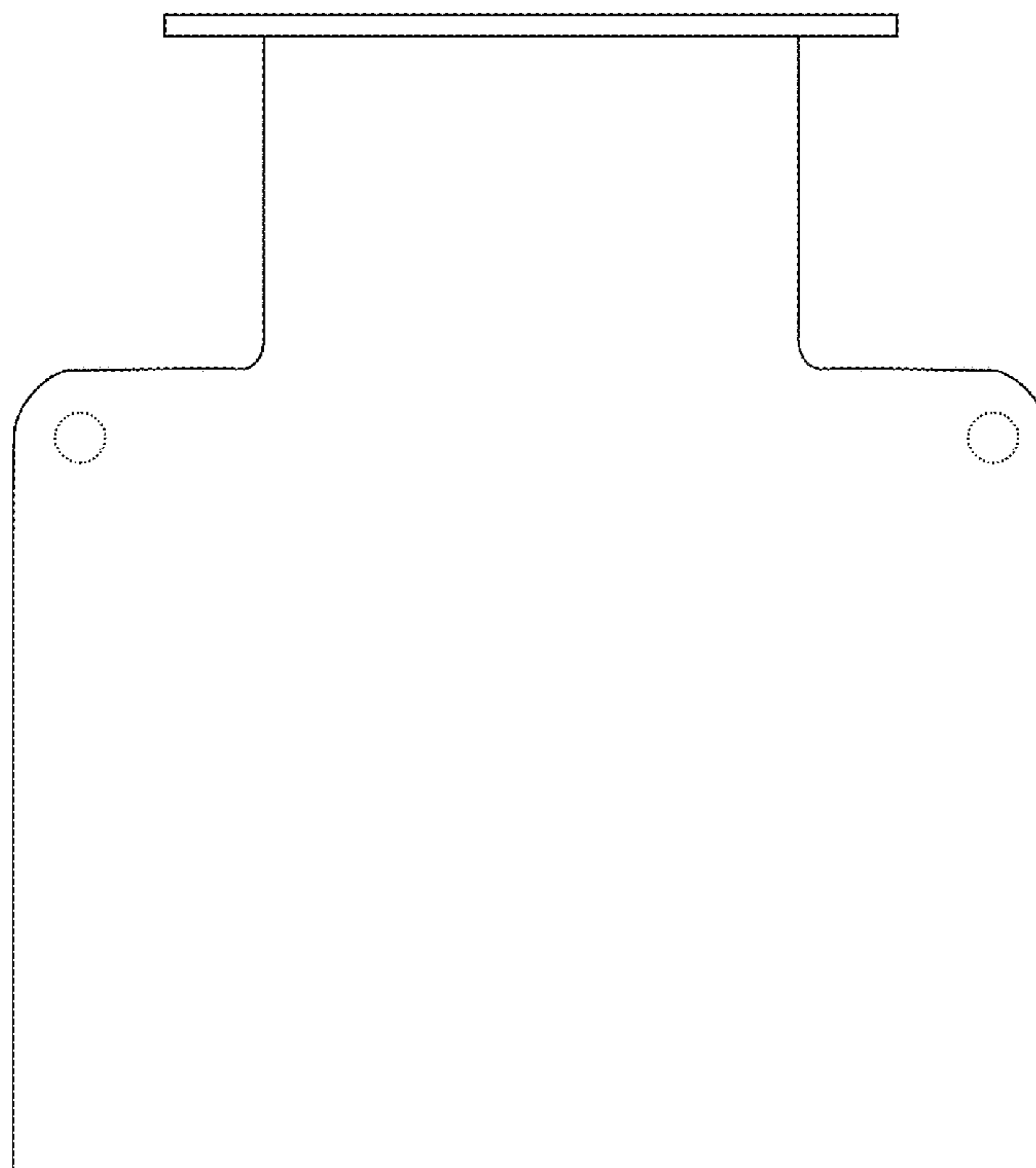
(57) **CLAIM**

The ornamental design for a disposable bag with a collar, as
shown and described.

DESCRIPTION

FIG. 1 is a top view of the disposable bag with a collar;
FIG. 2 is a bottom view thereof;
FIG. 3 is a front view thereof; and,
FIG. 4 is a right side view thereof; the left side view being
a mirror image thereof.
The broken lines shown in Figures illustrate portions of the
disposable bag with a collar that form no part of the claimed
design.

1 Claim, 4 Drawing Sheets



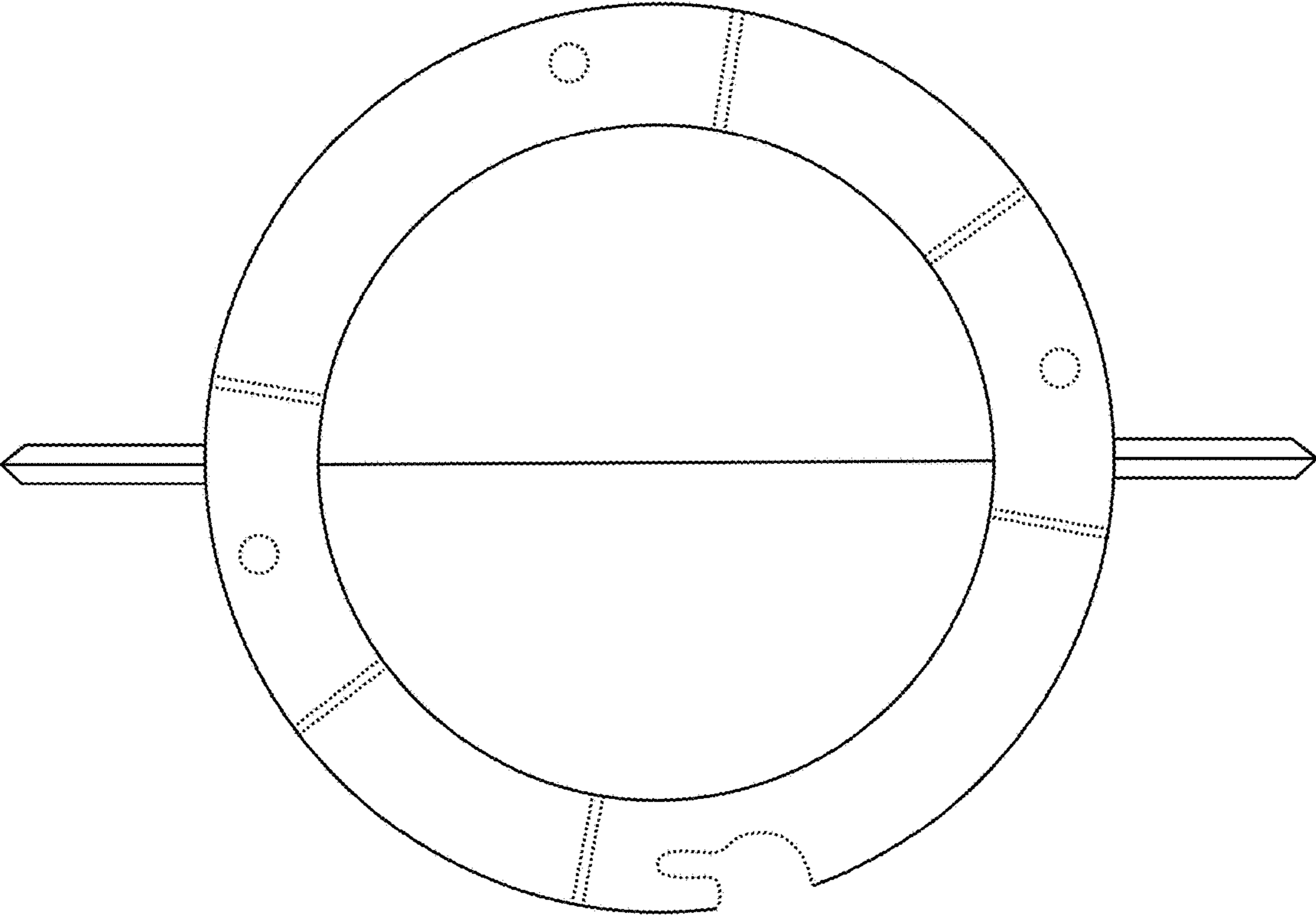


FIG.1

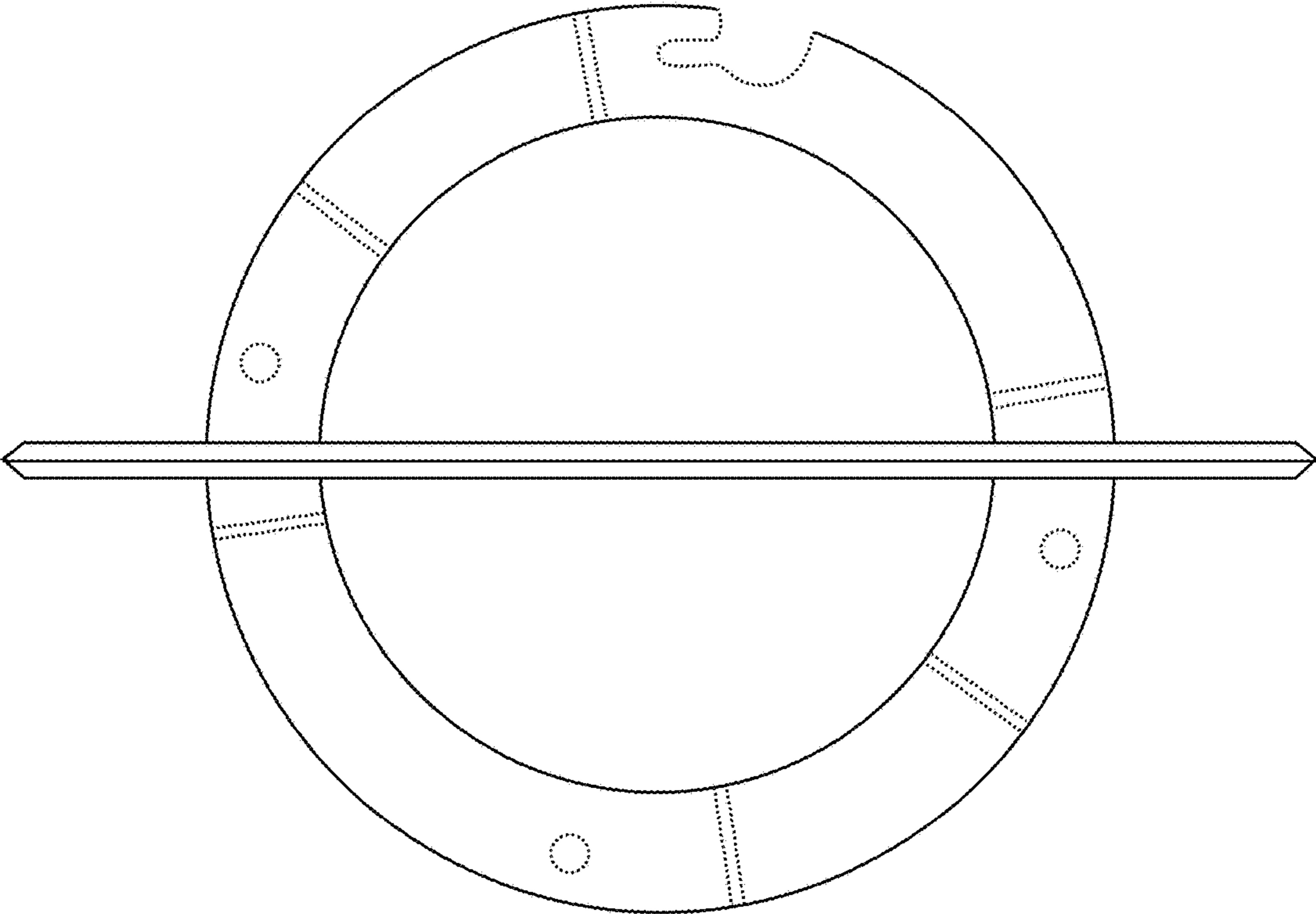


FIG.2

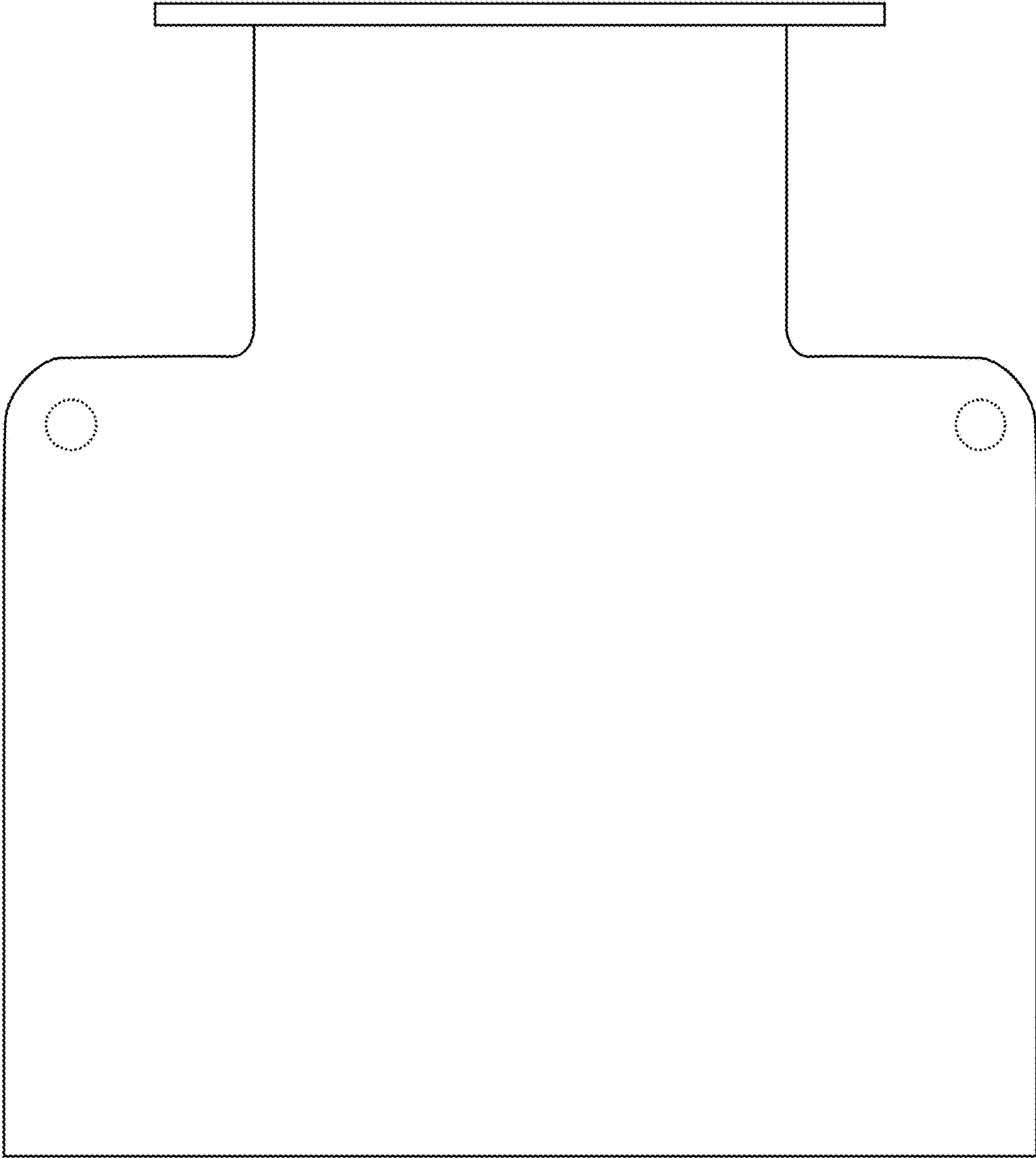


FIG.3

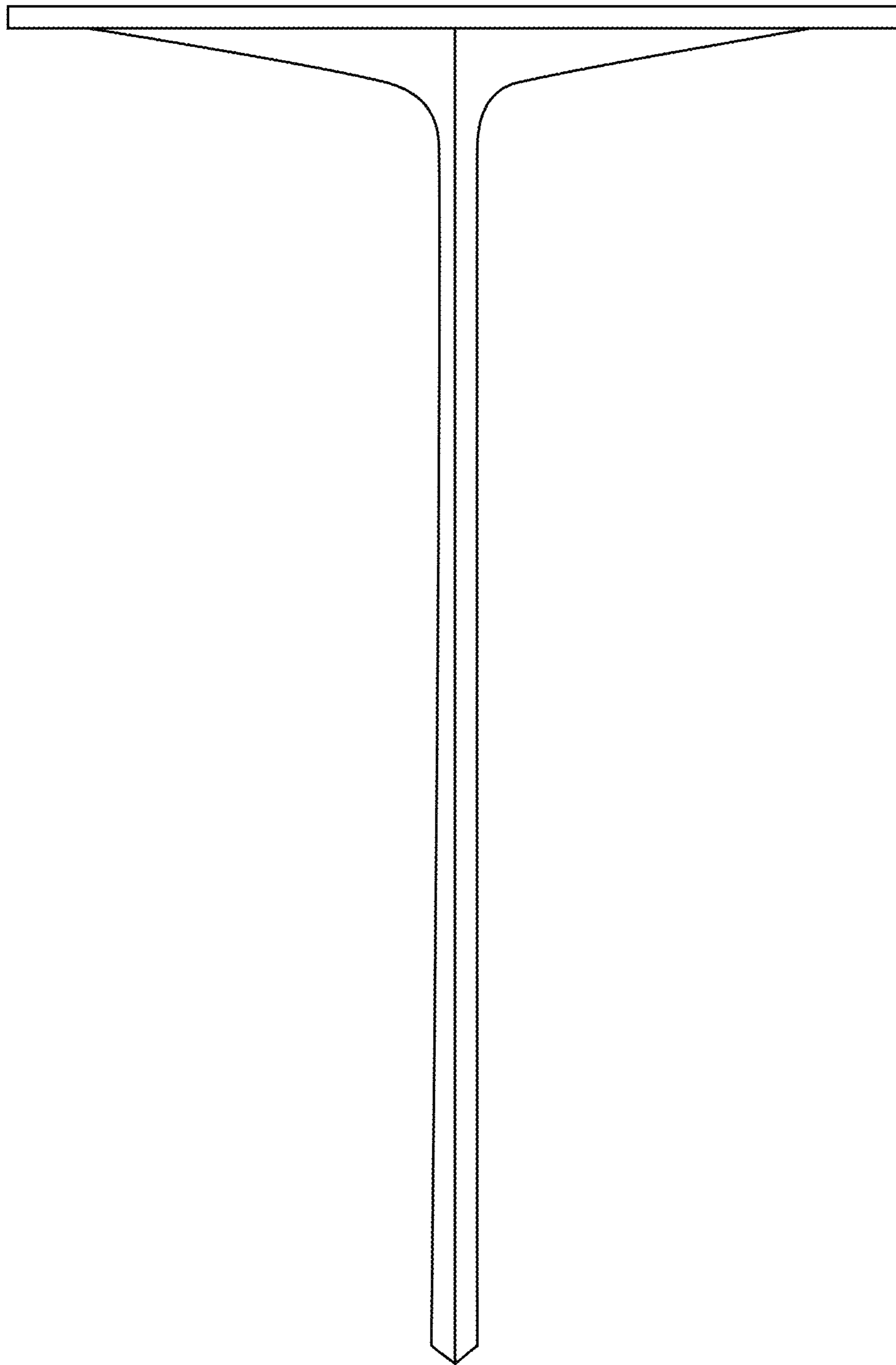


FIG.4