



US00D792963S

(12) **United States Design Patent**
Gill

(10) **Patent No.:** **US D792,963 S**

(45) **Date of Patent:** **** Jul. 25, 2017**

(54) **BUMPER FOR A MEDICAL PUMP**

(71) Applicant: **DEKA Products Limited Partnership**,
Manchester, NH (US)

(72) Inventor: **Matthew R. Gill**, San Francisco, CA
(US)

(73) Assignee: **DEKA Products Limited Partnership**,
Manchester, NH (US)

(**) Term: **14 Years**

(21) Appl. No.: **29/517,100**

(22) Filed: **Feb. 10, 2015**

(51) **LOC (10) Cl.** **24-01**

(52) **U.S. Cl.**
USPC **D24/108; D24/127**

(58) **Field of Classification Search**
USPC D24/107, 108, 111, 127, 185, 188;
D14/170, 171, 217; D10/21, 24-27
CPC A61M 5/20; A61M 5/30; A61M 5/142;
A61M 5/14228; A61M 2005/14208;
A61M 1/1039; A61M 5/14248; A61M
5/172; A61M 5/14566; A61M 5/14244;
A61M 2205/502

See application file for complete search history.

(56) **References Cited**

U.S. PATENT DOCUMENTS

D76,595 S *	10/1928	Balzer	D10/19
D89,168 S *	2/1933	Carlson	D10/26
D107,079 S *	11/1937	Hedfield et al.	D10/25
D309,662 S *	7/1990	Gorton	D24/111
D354,010 S *	1/1995	Pistilli	D10/24
D475,134 S *	5/2003	Randolph	D24/108
7,163,381 B1 *	1/2007	Barak	F04B 43/082 318/476
D728,779 S *	5/2015	Sabin	D24/111
D734,475 S *	7/2015	Ross	D24/185

D735,319 S	7/2015	Sabin et al.
D736,370 S	8/2015	Sabin et al.
9,151,646 B2	10/2015	Kamen et al.
D745,661 S	12/2015	Collins et al.

(Continued)

FOREIGN PATENT DOCUMENTS

WO	WO2013095459 A9	6/2013
WO	WO2013096713 A2	6/2013

(Continued)

Primary Examiner — Barbara Fox

Assistant Examiner — Lilyana Bekic

(74) *Attorney, Agent, or Firm* — James D. Wyninegar, Jr.

(57) **CLAIM**

The ornamental design for a bumper for a medical pump, as shown and described.

DESCRIPTION

FIG. 1 is a front, top, and right side perspective view of a first embodiment of a bumper for a medical pump, showing our new design;

FIG. 2 is a front side elevational view thereof;

FIG. 3 is a rear side elevational view thereof;

FIG. 4 is a left side elevational view thereof;

FIG. 5 is a right side elevational view thereof;

FIG. 6 is a top plan view thereof;

FIG. 7 is a bottom plan view thereof;

FIG. 8 is a front, top, and right side perspective view of a second embodiment of a bumper for a medical pump, showing our new design;

FIG. 9 is a front side elevational view thereof;

FIG. 10 is a rear side elevational view thereof;

FIG. 11 is a left side elevational view thereof;

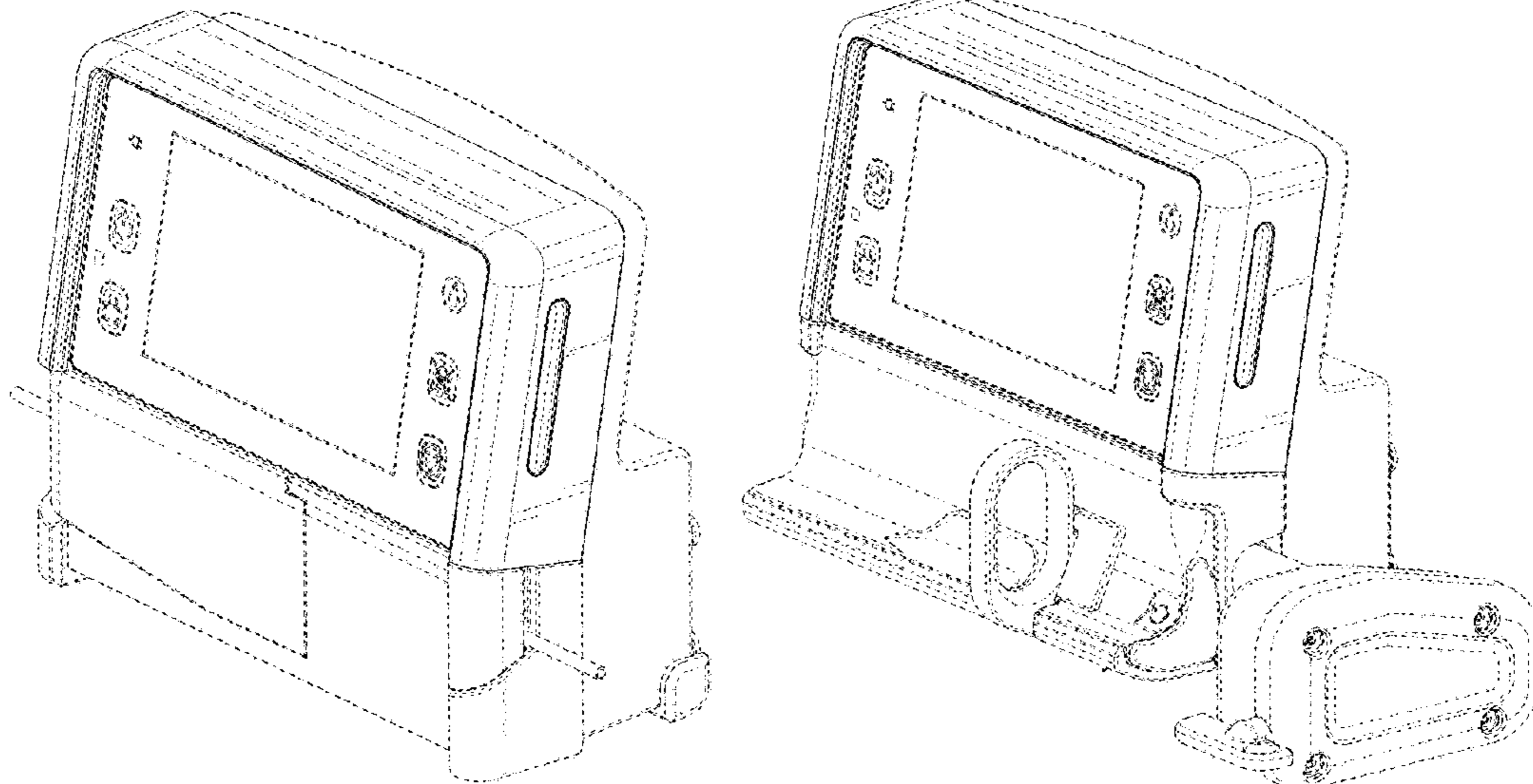
FIG. 12 is a right side elevational view thereof;

FIG. 13 is a top plan view thereof; and,

FIG. 14 is a bottom plan view thereof.

The broken line showing of the medical pump illustrates environment and forms no part of the claimed design.

1 Claim, 12 Drawing Sheets



(56)

References Cited

U.S. PATENT DOCUMENTS

D749,206	S	2/2016	Johnson et al.	
D751,689	S	3/2016	Peret et al.	
D751,690	S	3/2016	Peret et al.	
D752,209	S	3/2016	Peret et al.	
9,295,778	B2	3/2016	Kamen et al.	
D754,065	S	4/2016	Gray et al.	
D756,386	S	5/2016	Kendler et al.	
D758,399	S	6/2016	Kendler et al.	
D760,288	S	6/2016	Kendler et al.	
D760,289	S	6/2016	Kendler et al.	
9,364,394	B2	6/2016	Demers et al.	
9,372,486	B2	6/2016	Peret et al.	
D760,782	S	7/2016	Kendler et al.	
D760,888	S *	7/2016	Gill D24/108	
9,400,873	B2	7/2016	Kamen et al.	
D767,756	S	9/2016	Sabin	
9,435,455	B2	9/2016	Peret et al.	
D768,716	S	10/2016	Kendler et al.	
9,465,919	B2	10/2016	Kamen et al.	
9,488,200	B2	11/2016	Kamen et al.	
2002/0127114	A1 *	9/2002	Barak F04B 43/082 417/12	
2011/0313789	A1	12/2011	Kamen et al.	
2012/0185267	A1	7/2012	Kamen	
2013/0177455	A1	7/2013	Kamen	
2013/0182381	A1	7/2013	Gray	
2013/0184676	A1	7/2013	Kamen	
2013/0188040	A1	7/2013	Kamen	
2013/0191513	A1	7/2013	Kamen	
2013/0197693	A1	8/2013	Kamen	
2013/0204188	A1	8/2013	Kamen	
2013/0272773	A1	10/2013	Kamen	
2013/0281965	A1	10/2013	Kamen	
2013/0297330	A1	11/2013	Kamen	
2013/0310990	A1	11/2013	Peret et al.	
2013/0317753	A1	11/2013	Kamen	
2013/0317837	A1	11/2013	Ballantyne	
2013/0336814	A1	12/2013	Kamen	
2013/0339049	A1	12/2013	Blumberg, Jr.	
2013/0346108	A1	12/2013	Kamen	
2014/0165703	A1	6/2014	Wilt	
2014/0180711	A1	6/2014	Kamen	
2014/0188076	A1	7/2014	Kamen	

2014/0188516	A1	7/2014	Kamen
2014/0195639	A1	7/2014	Kamen
2014/0227021	A1	8/2014	Kamen
2014/0318639	A1	10/2014	Peret
2014/0343492	A1	11/2014	Kamen
2015/0002667	A1	1/2015	Peret et al.
2015/0002668	A1	1/2015	Peret et al.
2015/0002677	A1	1/2015	Peret et al.
2015/0033823	A1	2/2015	Blumberg, Jr.
2015/0154364	A1	6/2015	Biasi et al.
2015/0157791	A1	6/2015	Desch et al.
2015/0238228	A1	8/2015	Langenfeld et al.
2015/0257974	A1	9/2015	Demers et al.
2015/0314083	A1	11/2015	Blumberg, Jr. et al.
2015/0332009	A1	11/2015	Kane et al.
2016/0055397	A1	2/2016	Peret et al.
2016/0055649	A1	2/2016	Peret et al.
2016/0061641	A1	3/2016	Peret et al.
2016/0063353	A1	3/2016	Peret et al.
2016/0073063	A1	3/2016	Peret et al.
2016/0084434	A1	3/2016	Janway et al.
2016/0097382	A1	4/2016	Kamen et al.
2016/0131272	A1	5/2016	Yoo et al.
2016/0158437	A1	6/2016	Biasi et al.
2016/0179086	A1	6/2016	Peret et al.
2016/0184510	A1	6/2016	Kamen et al.
2016/0203292	A1	7/2016	Kamen et al.
2016/0262977	A1	9/2016	Demers et al.
2016/0319850	A1	11/2016	Kamen et al.

FOREIGN PATENT DOCUMENTS

WO	WO2013096718	A2	6/2013
WO	WO2013096722	A2	6/2013
WO	WO2013096909	A2	6/2013
WO	WO2013176770	A2	11/2013
WO	WO2013177357	A1	11/2013
WO	WO2014100557	A2	6/2014
WO	WO2014100571	A2	6/2014
WO	WO2014100658	A1	6/2014
WO	WO2014100687	A2	6/2014
WO	WO2014100736	A2	6/2014
WO	WO2014100744	A2	6/2014
WO	WO2014144557	A2	9/2014
WO	WO2015017275	A1	2/2015

* cited by examiner

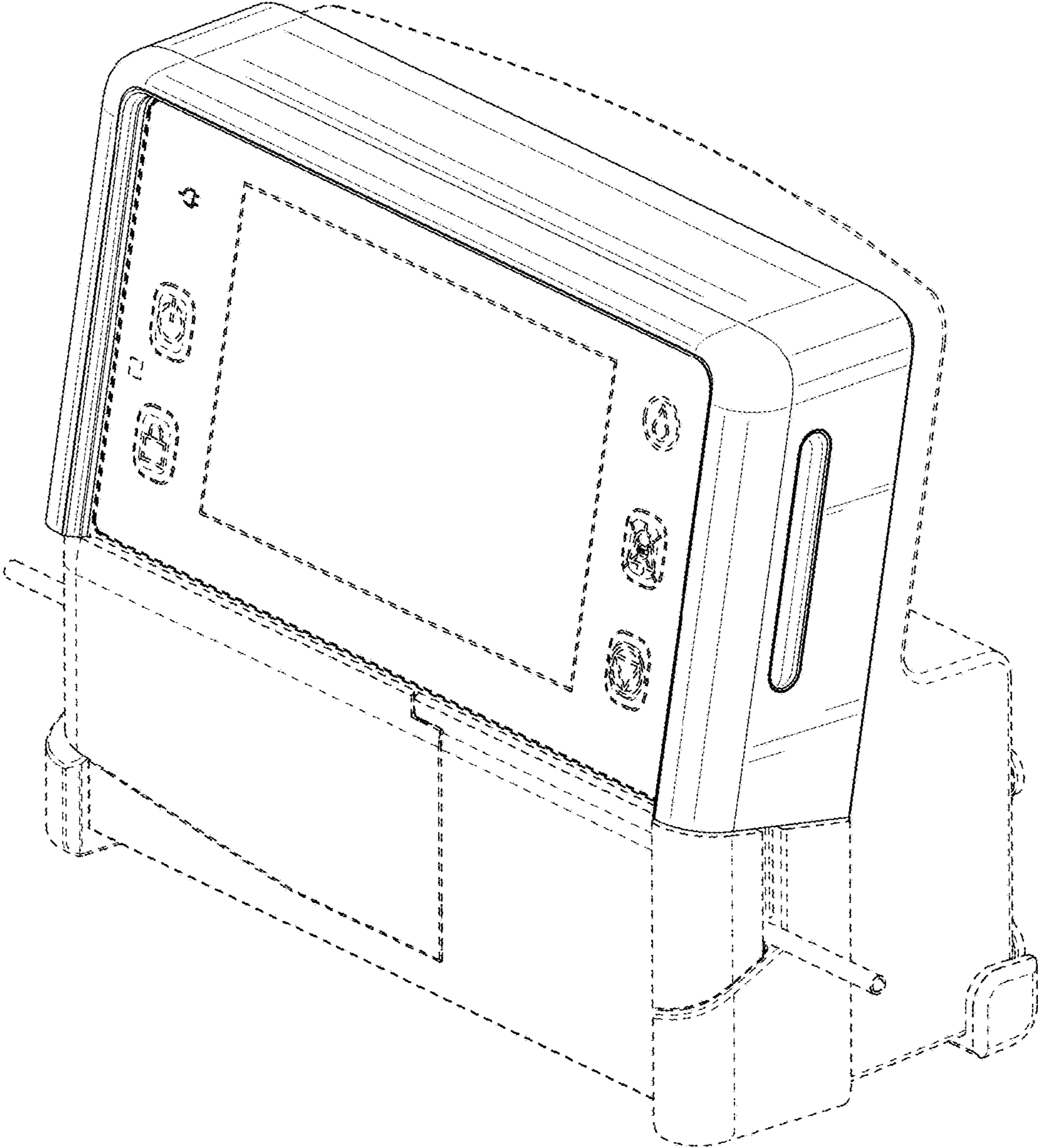


FIG. 1

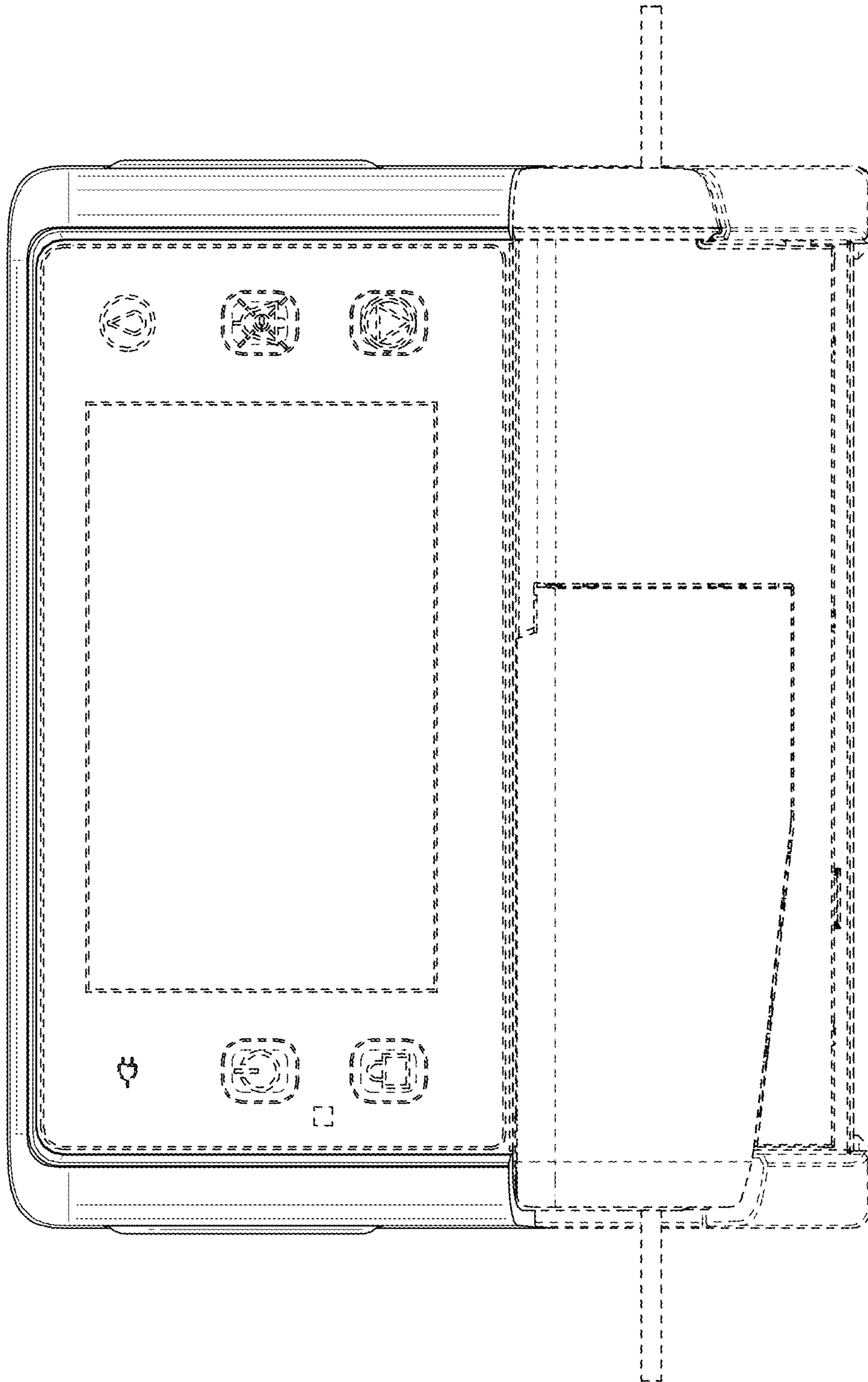


FIG. 2

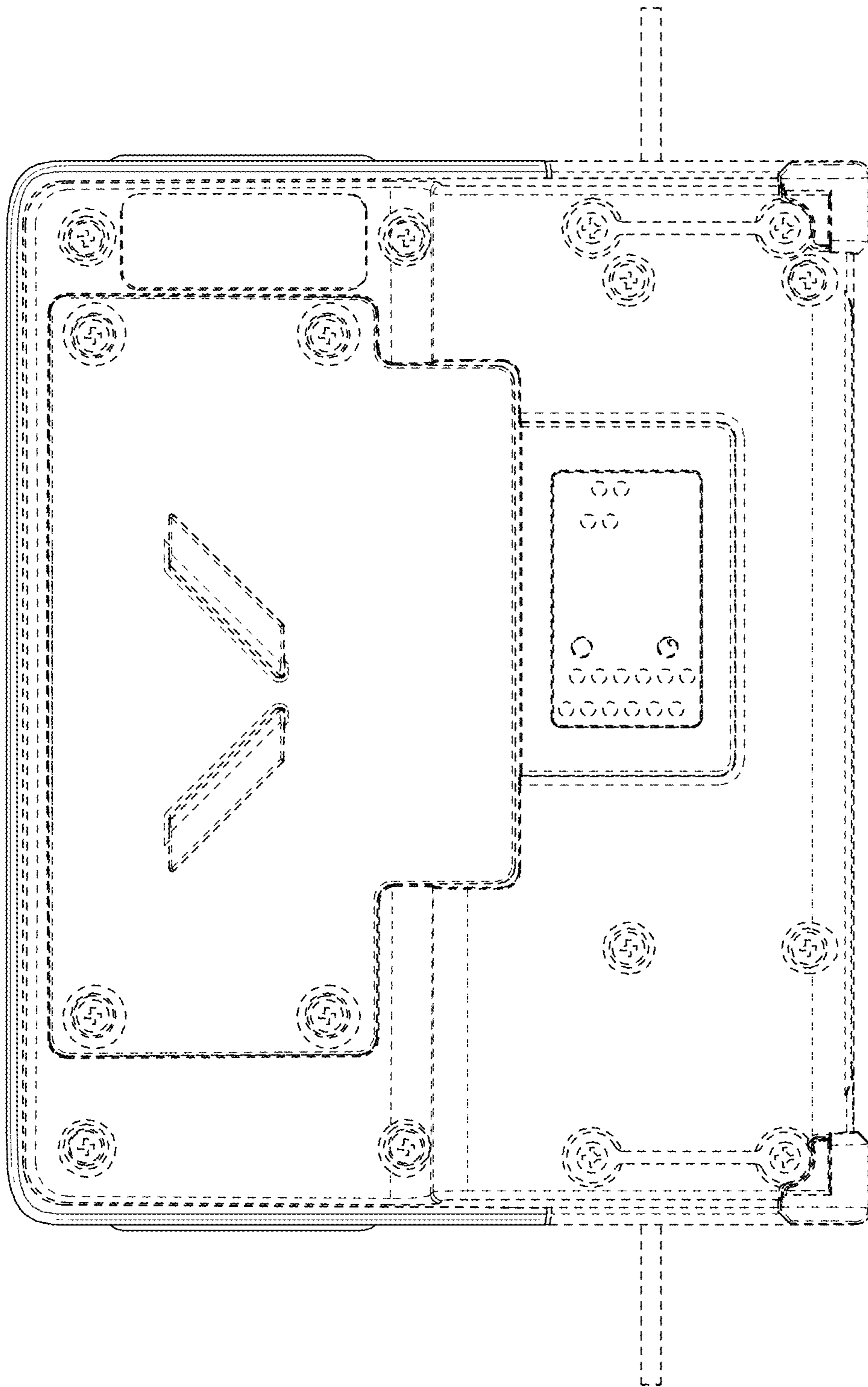


FIG. 3

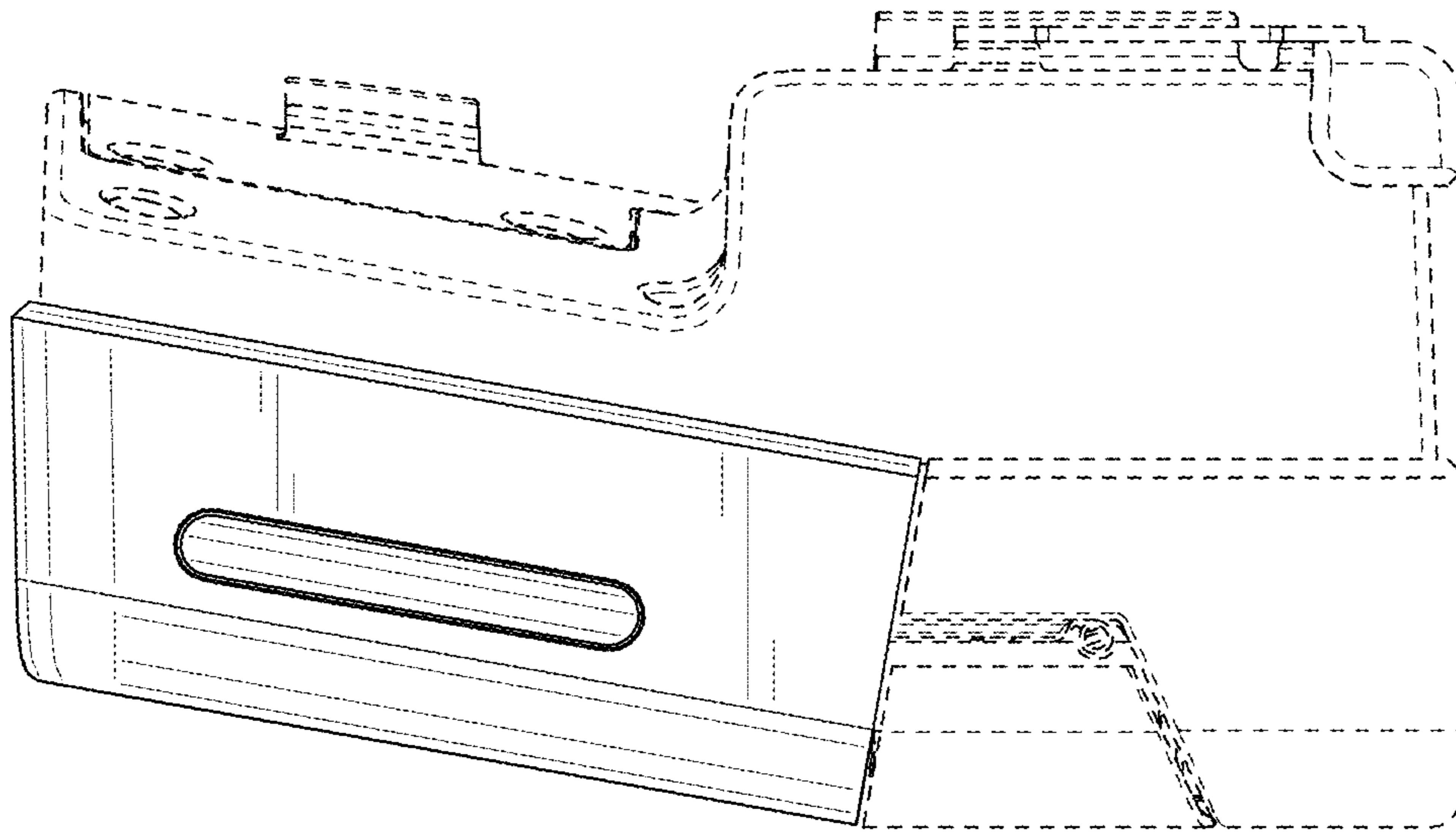


FIG. 5

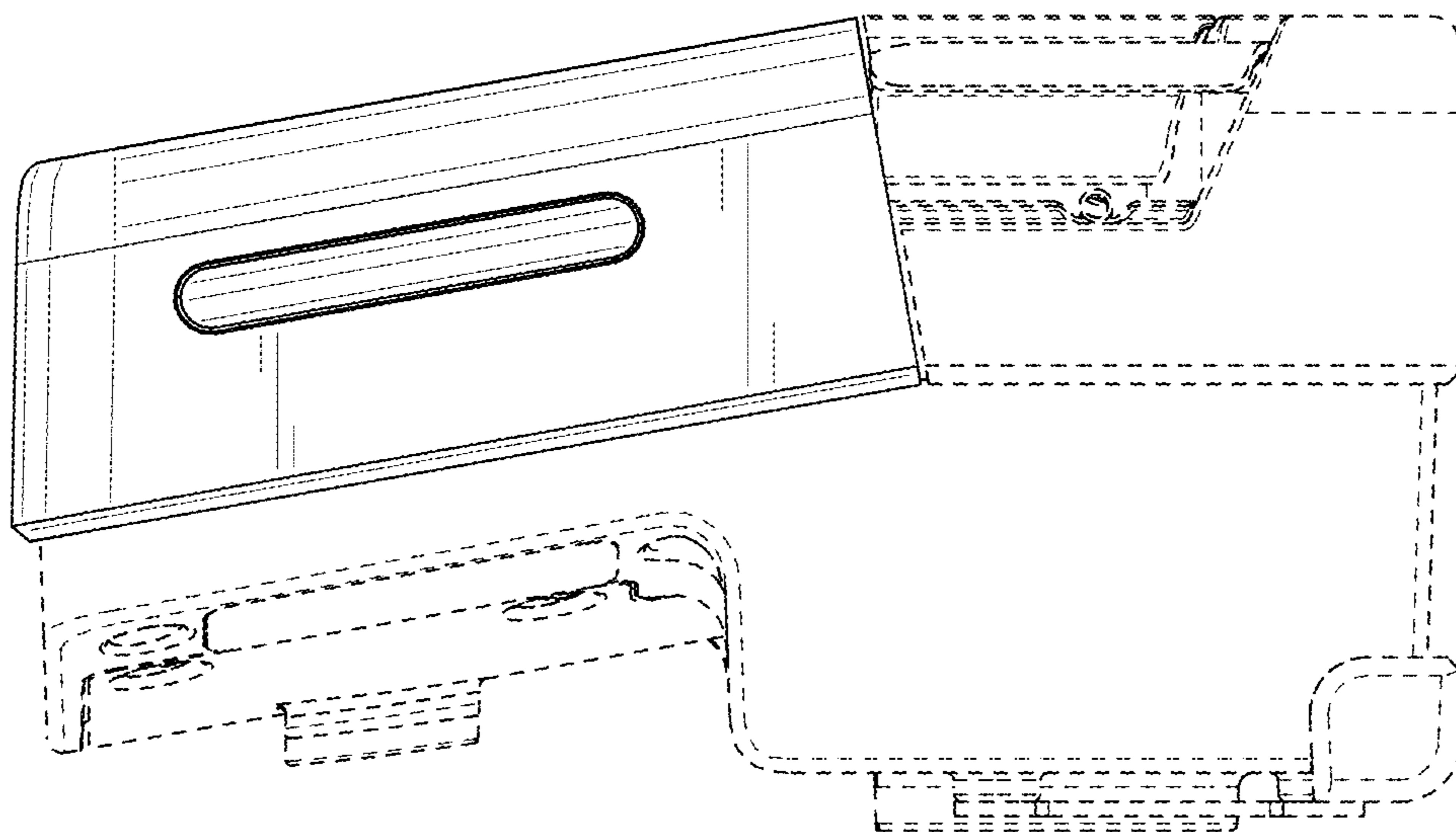


FIG. 4

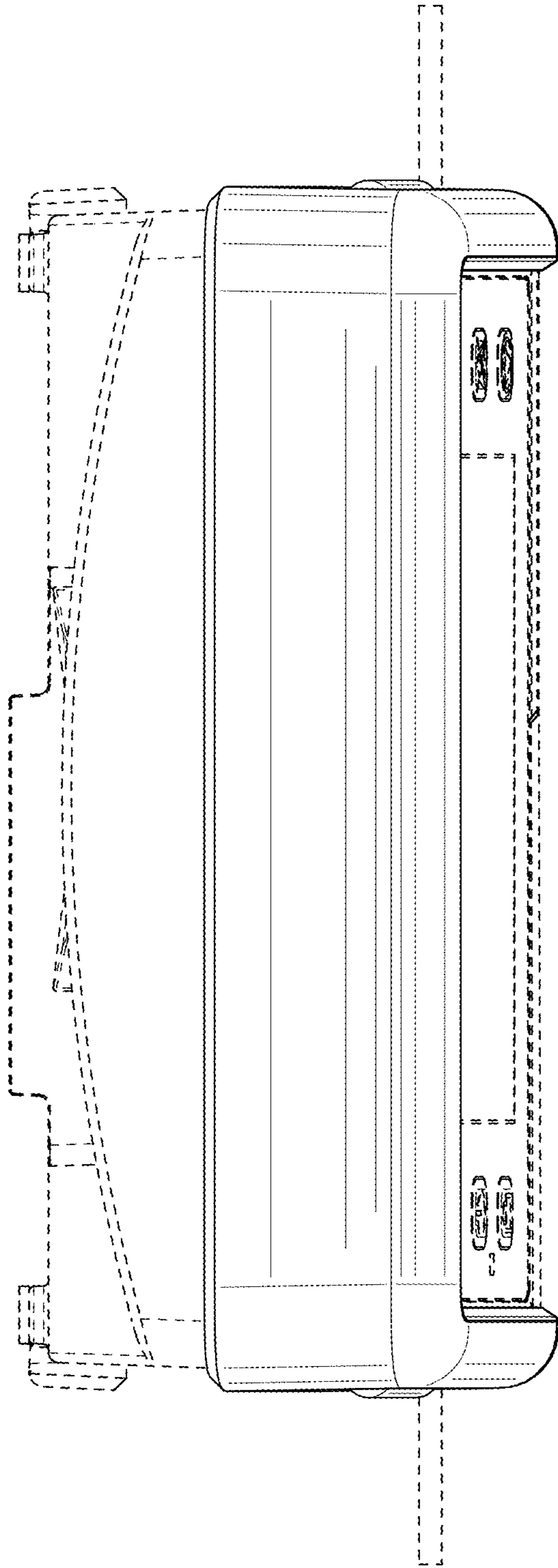


FIG. 6

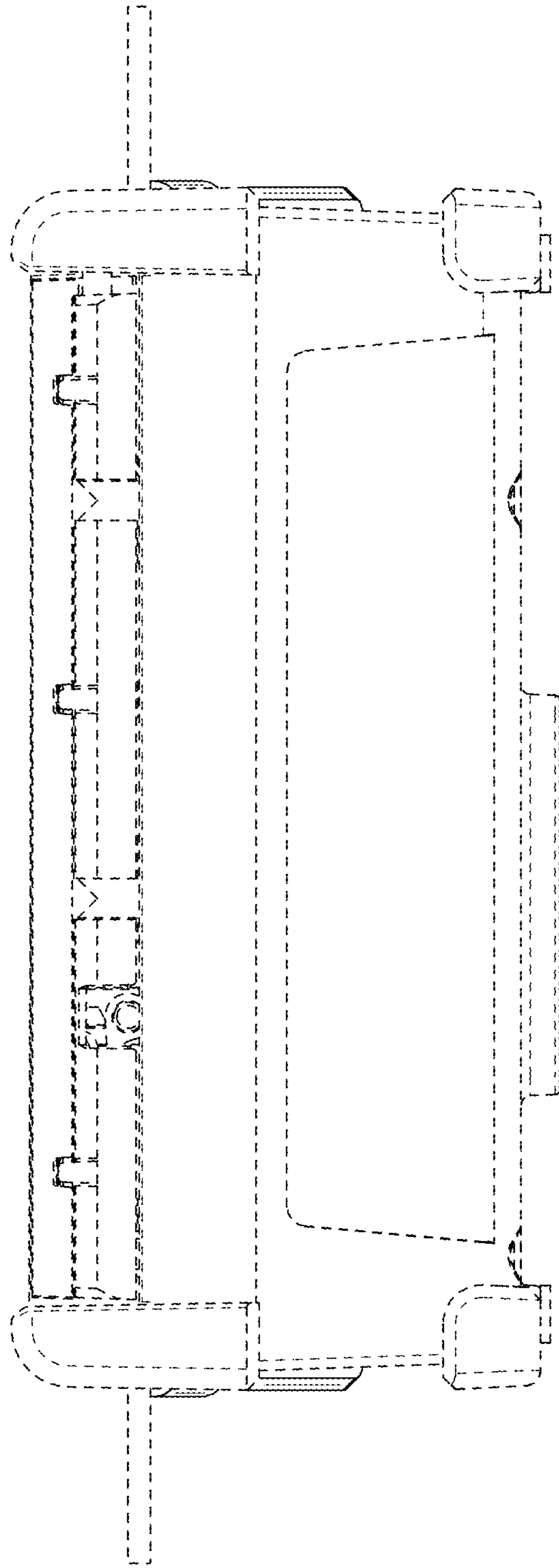


FIG. 7

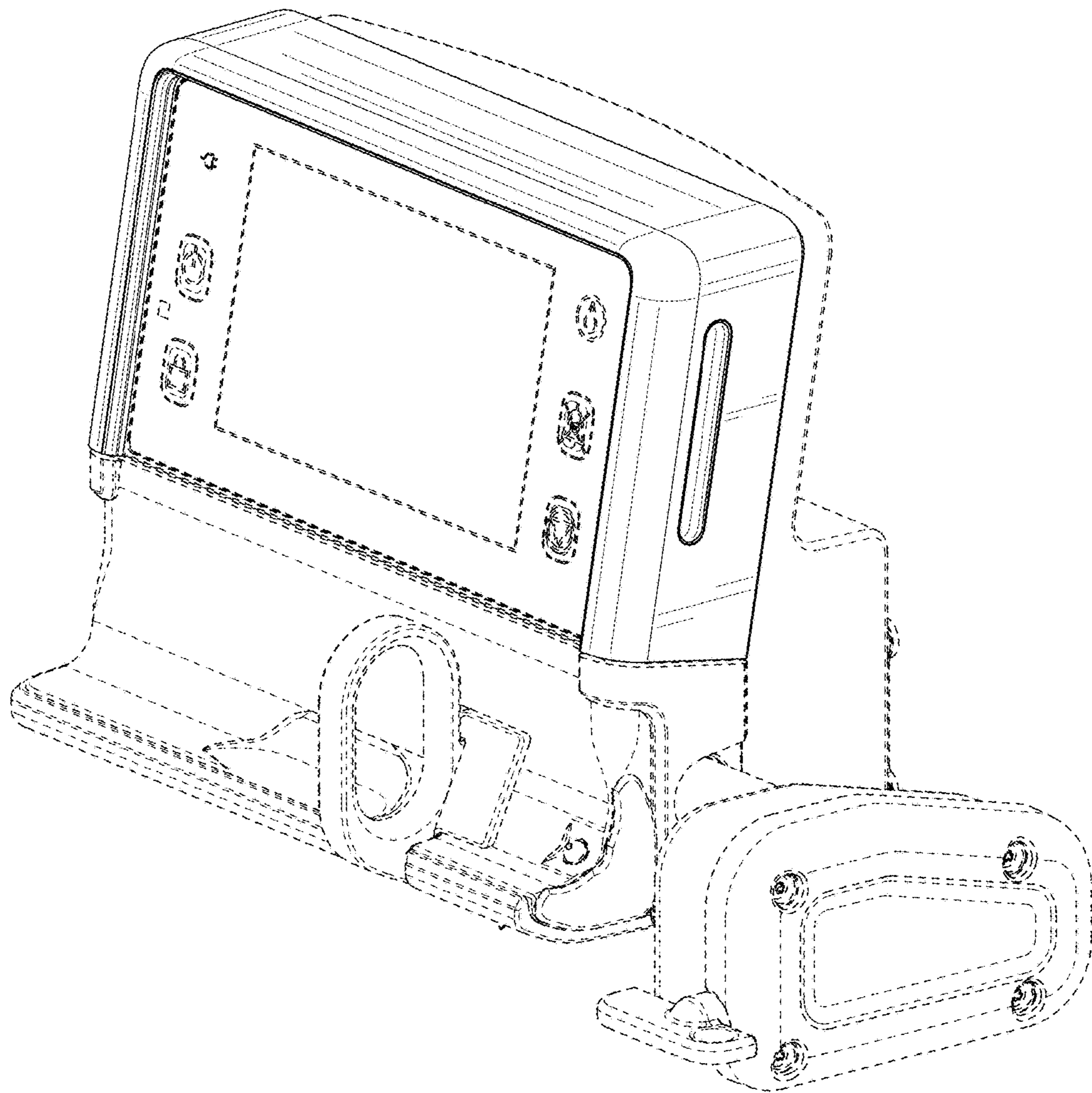


FIG. 8

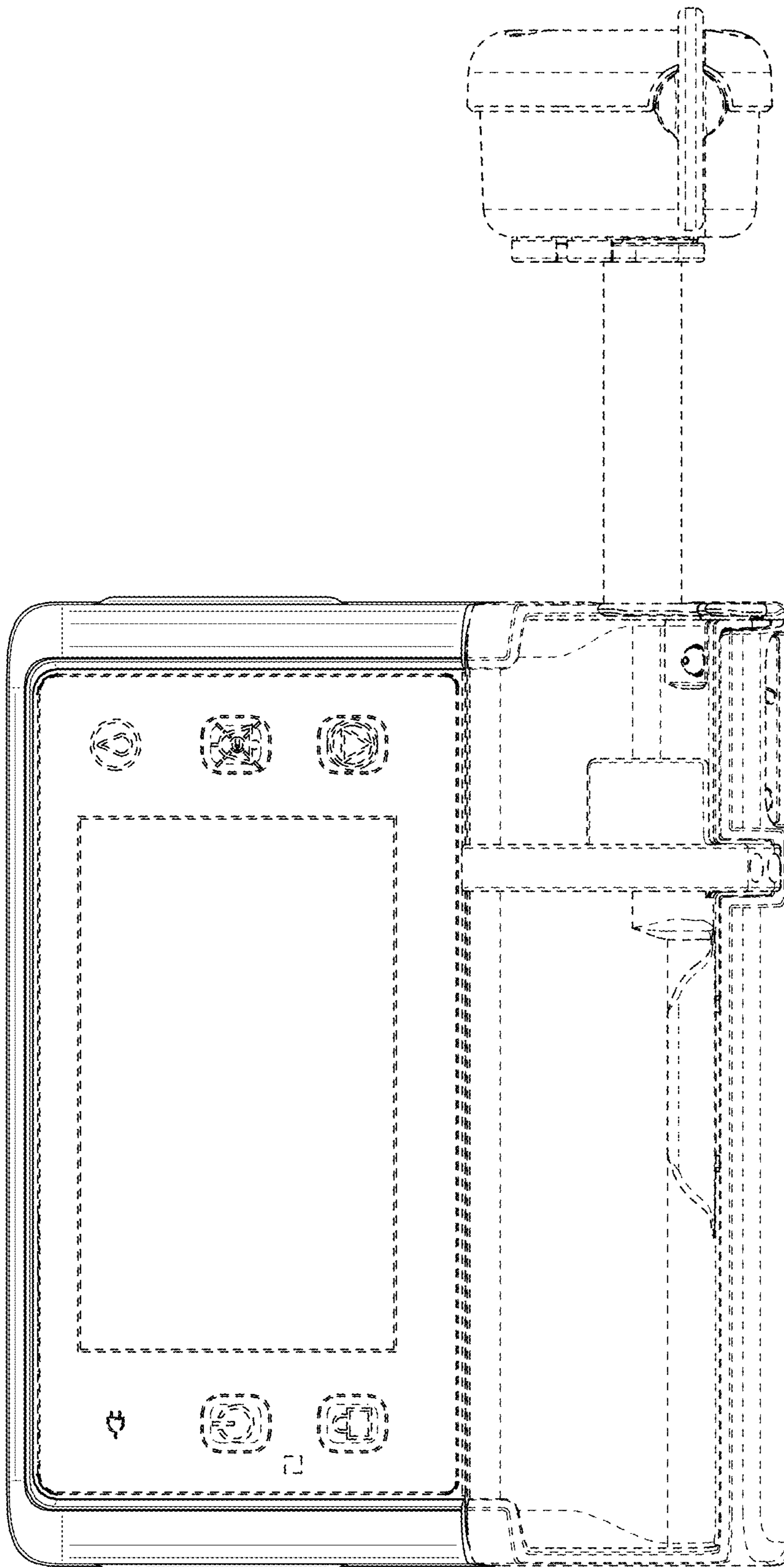


FIG. 9

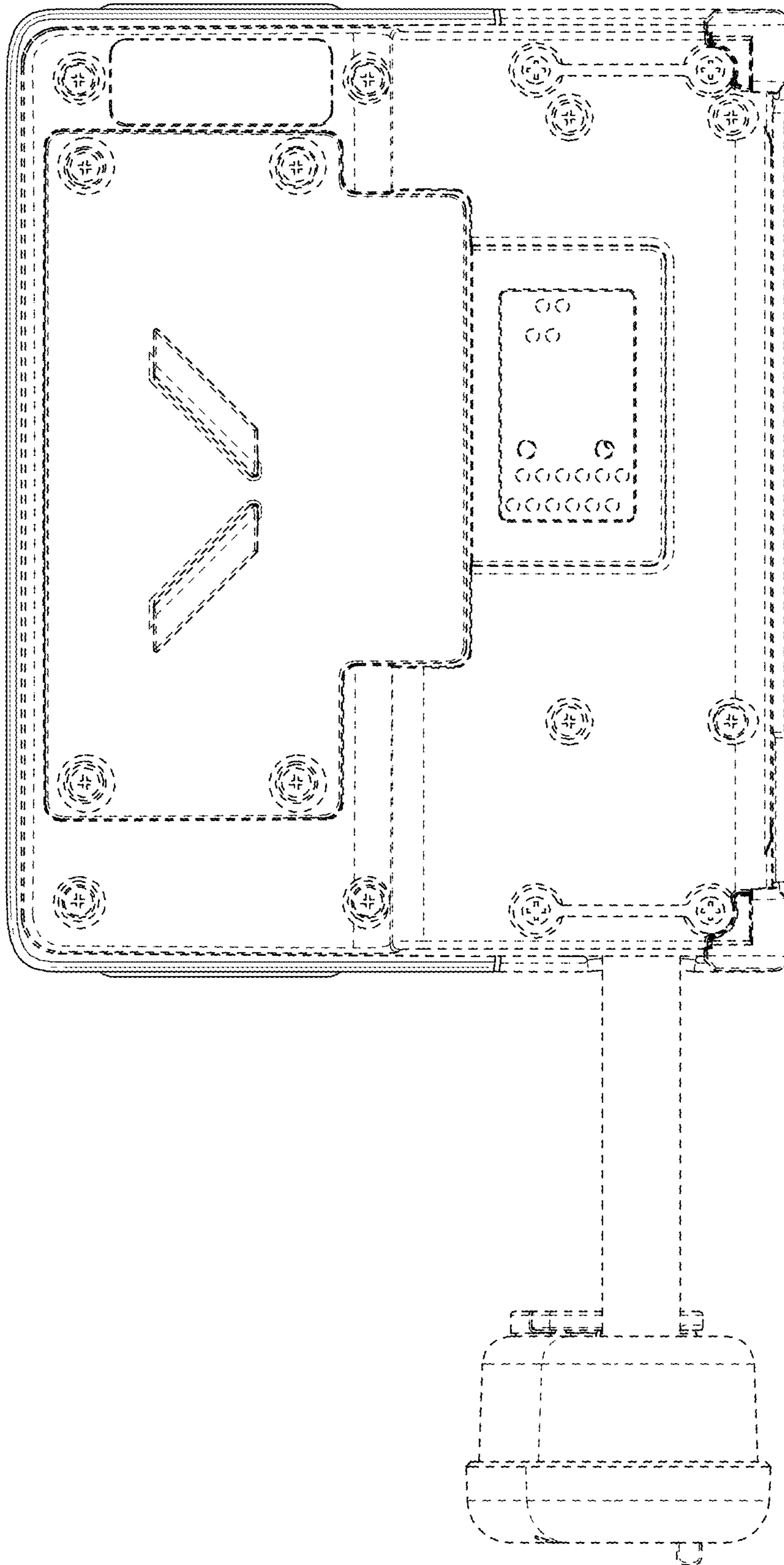


FIG. 10

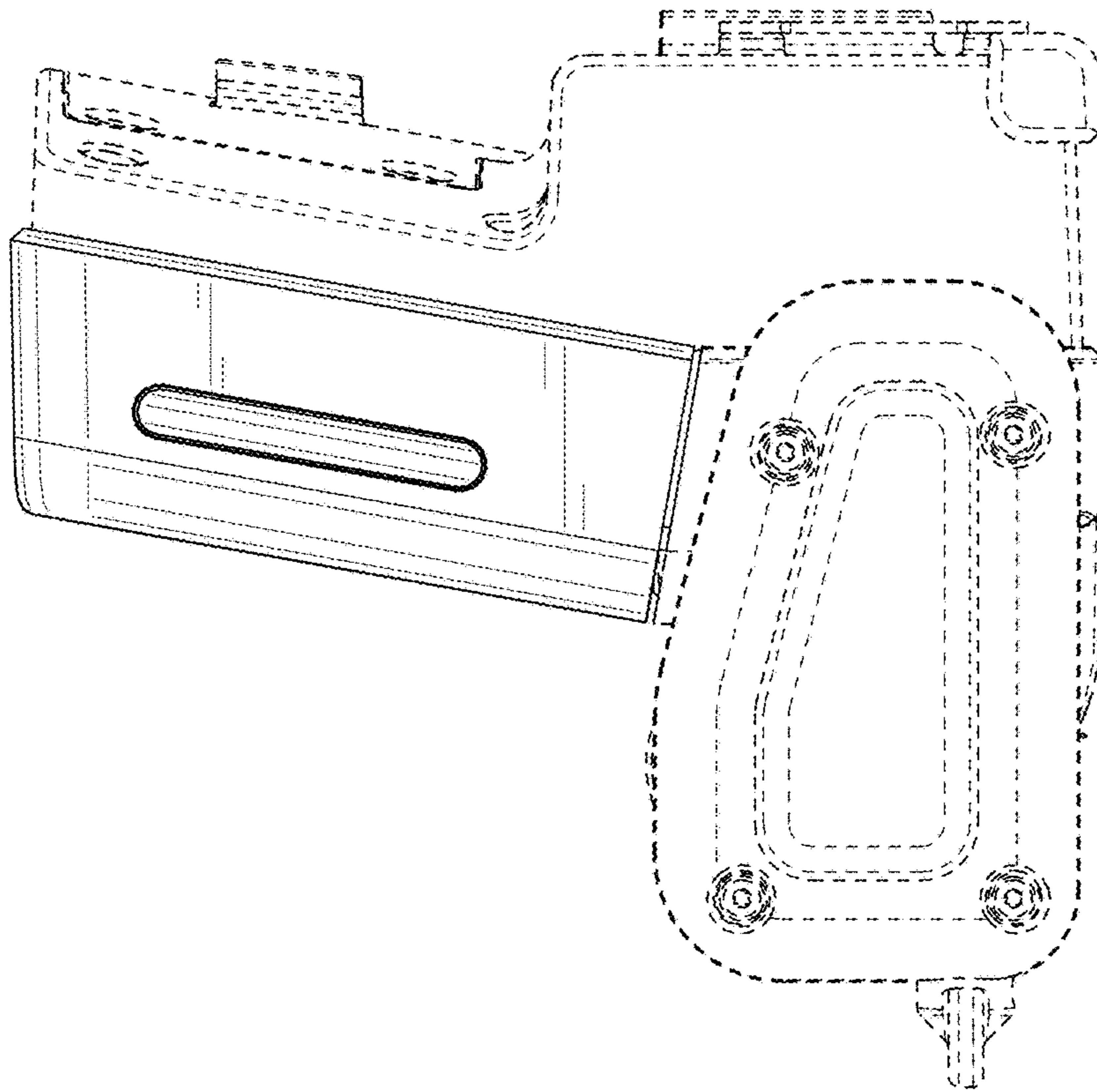


FIG. 12

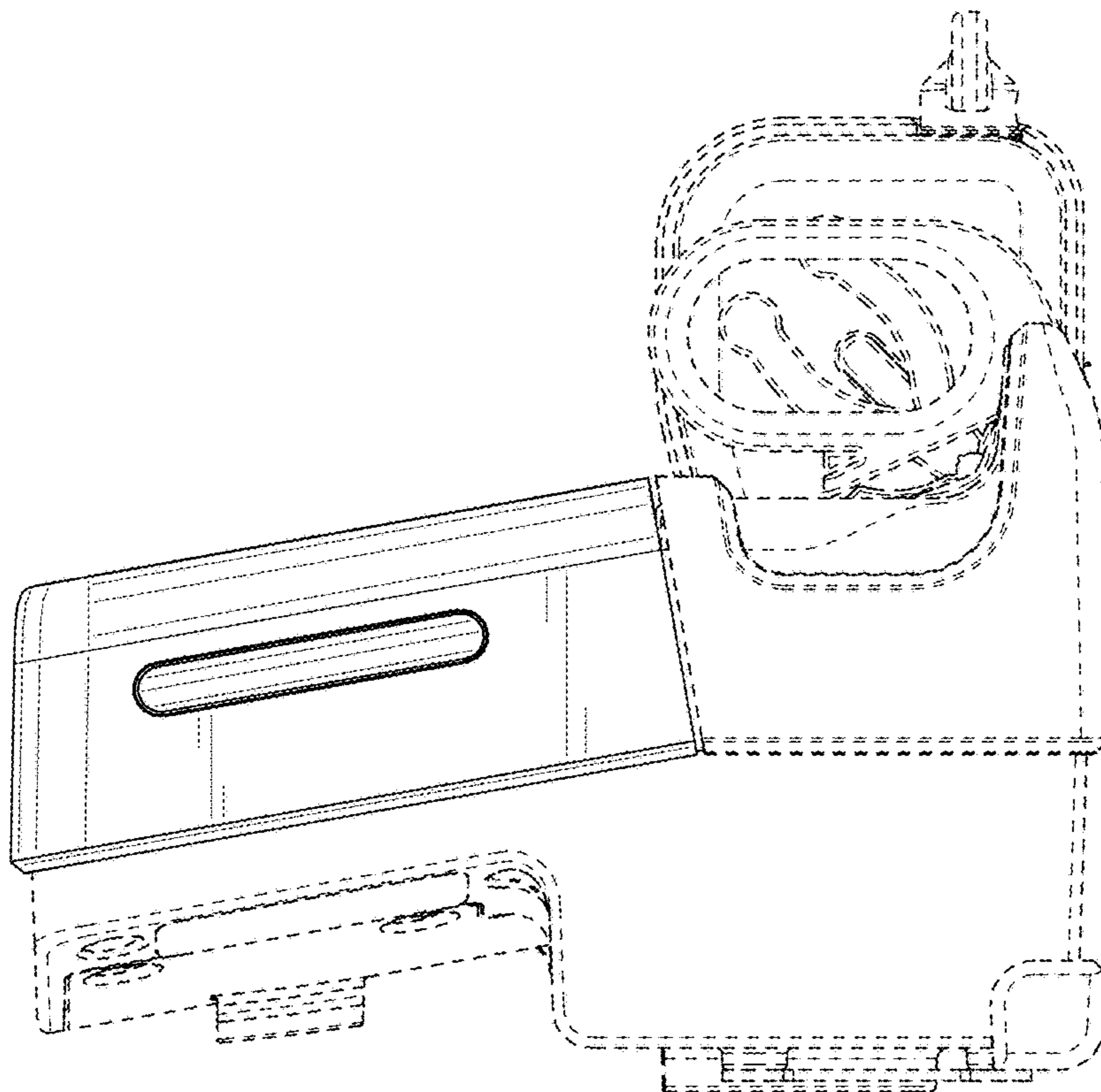


FIG. 11

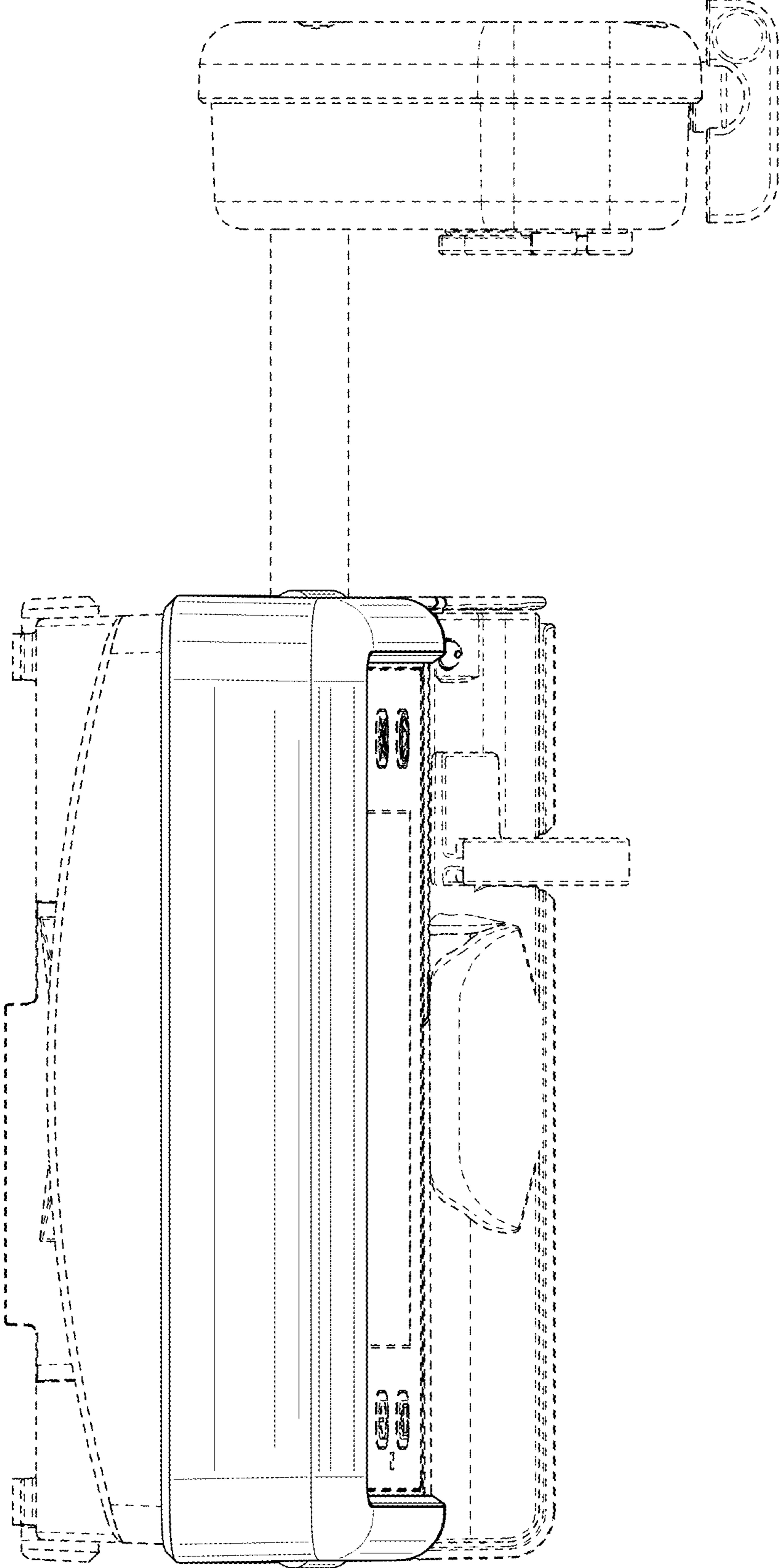


FIG. 13

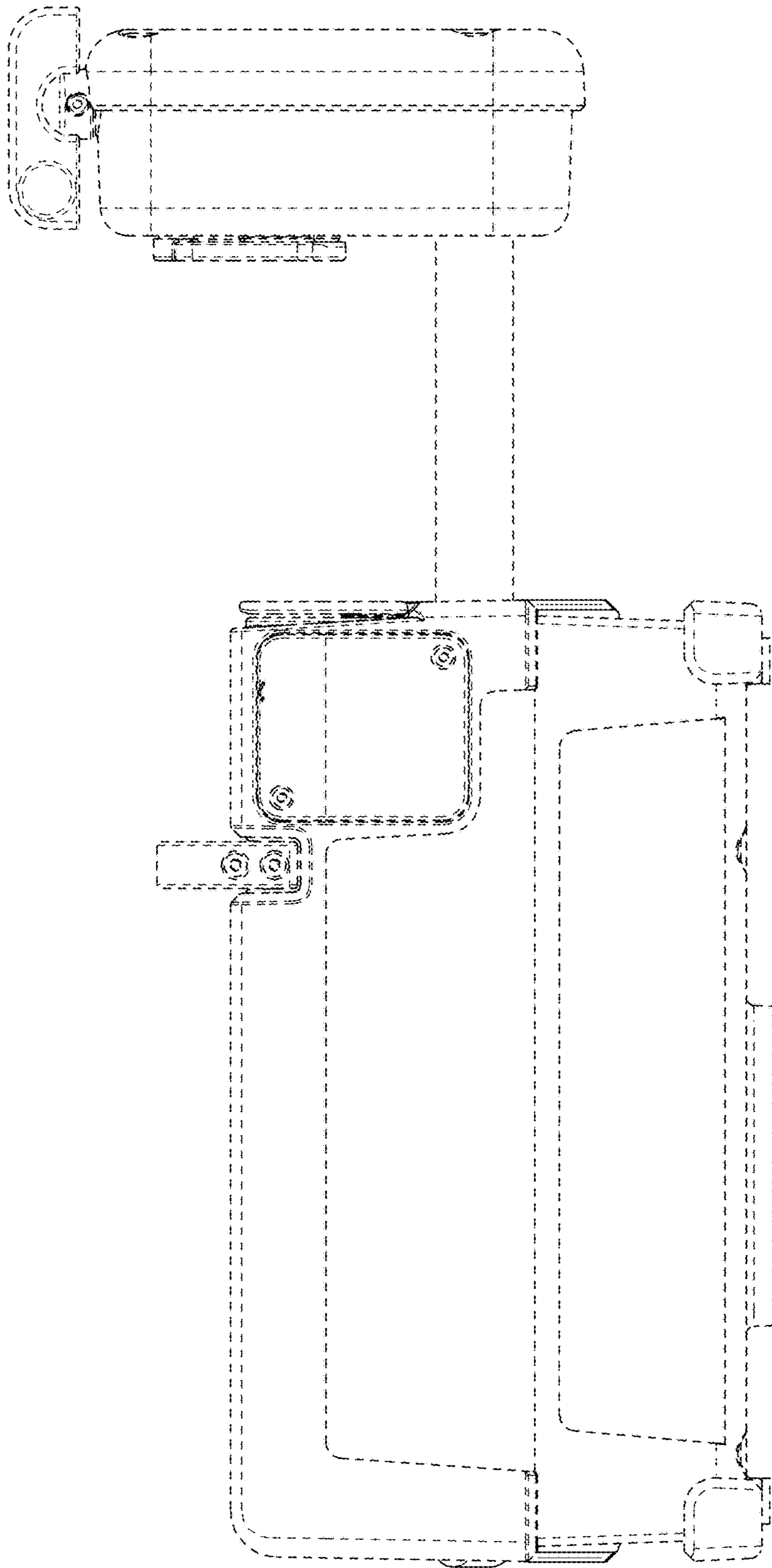


FIG. 14