



US00D792961S

(12) **United States Design Patent**  
**Karkheck**

(10) **Patent No.:** **US D792,961 S**

(45) **Date of Patent:** **\*\* Jul. 25, 2017**

- (54) **VENT**
- (71) Applicant: **SolarCity Corporation**, San Mateo, CA (US)
- (72) Inventor: **Johann Fritz Karkheck**, San Rafael, CA (US)
- (73) Assignee: **SolarCity Corporation**, San Mateo, CA (US)
- (\*\*) Term: **15 Years**
- (21) Appl. No.: **29/582,164**
- (22) Filed: **Oct. 25, 2016**

D629,093 S	12/2010	Polston	
D639,924 S	6/2011	Winkler	
D672,438 S *	12/2012	Noel	D23/261
D677,376 S *	3/2013	Wolff	D22/119
D695,066 S *	12/2013	Nakajima	D23/261
D698,434 S *	1/2014	Wolff	D23/393
D701,597 S	3/2014	Defilippis	
D707,151 S *	6/2014	Kimbrough	D11/222
8,771,392 B2 *	7/2014	Kruse	B01D 39/12 55/385.3
D715,409 S	10/2014	Raimondi	
D734,424 S	7/2015	Krechowiecki	
D753,488 S *	4/2016	Escobar	D9/445
2005/0022878 A1 *	2/2005	Erinakes	E03B 11/08 137/587

\* cited by examiner

*Primary Examiner* — Cynthia Underwood  
(74) *Attorney, Agent, or Firm* — Sterne, Kessler, Goldstein & Fox P.L.L.C.

**Related U.S. Application Data**

- (63) Continuation of application No. 29/523,112, filed on Apr. 7, 2015, now Pat. No. Des. 773,029.
- (51) **LOC (10) Cl.** ..... **23-04**
- (52) **U.S. Cl.**  
USPC ..... **D23/370**
- (58) **Field of Classification Search**  
USPC ..... D23/370, 355, 314, 414; 415/121.1  
CPC ... E03C 1/12; F24F 13/06; F24F 13/22; F24F 13/20; B01D 39/12; E03B 11/08  
See application file for complete search history.

(57) **CLAIM**

The ornamental design for a vent, as shown and described.

**DESCRIPTION**

FIG. 1 is a top front perspective view of a vent showing the claimed design;  
 FIG. 2 is a top view thereof;  
 FIG. 3 is a bottom view thereof;  
 FIG. 4 is a left side view thereof;  
 FIG. 5 is a right side view thereof;  
 FIG. 6 is a front view thereof; and,  
 FIG. 7 is a rear view thereof.

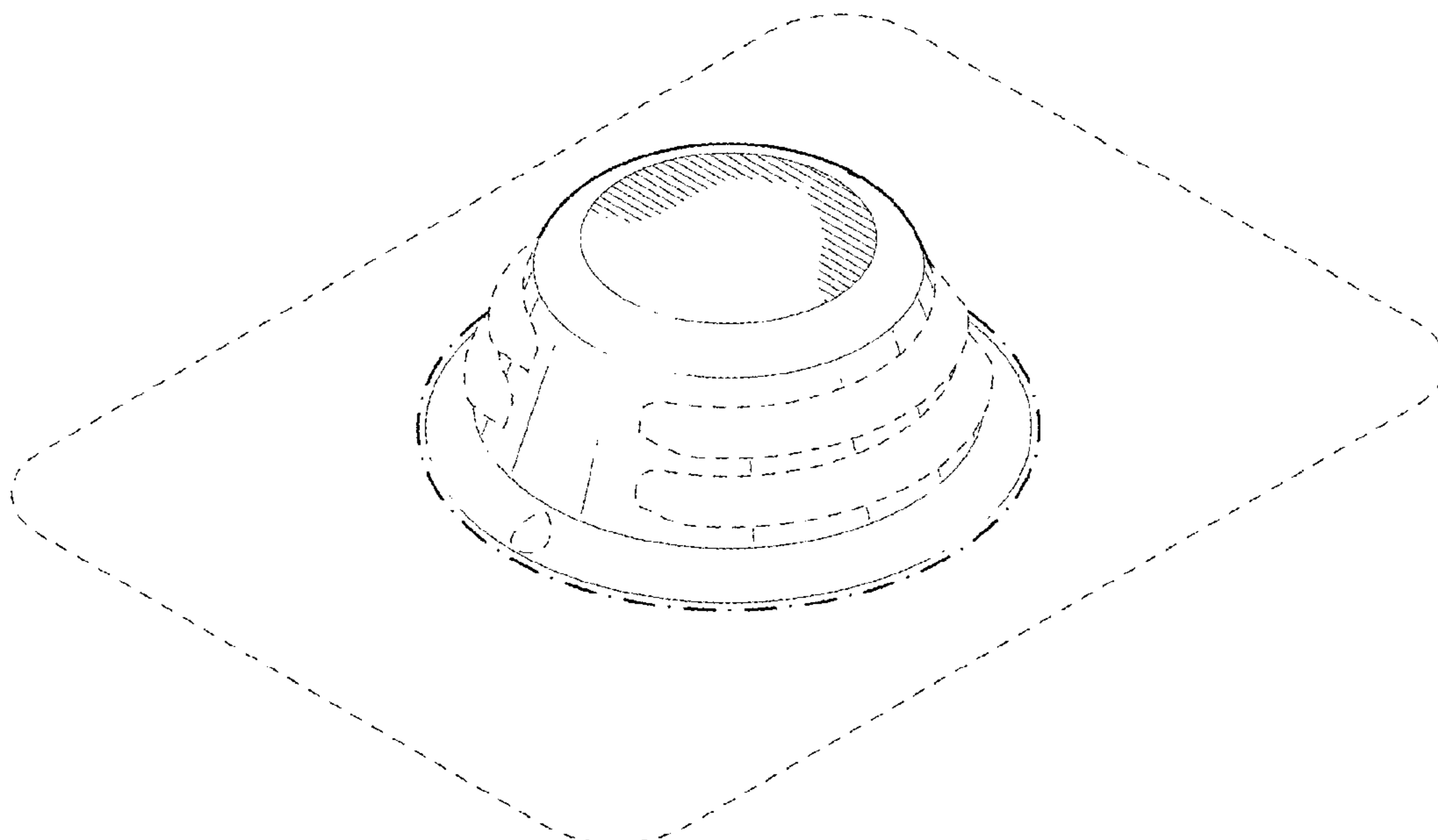
The dashed broken lines in the figures show portions of the vent that form no part of the claimed design.  
 The dot-dash broken lines in the figures show boundaries that form no part of the claimed design.

(56) **References Cited**

**U.S. PATENT DOCUMENTS**

D188,962 S	10/1960	Zeiler	
5,427,417 A *	6/1995	Lechuga	E03C 1/12 210/153
D524,600 S	7/2006	Austin et al.	
D581,032 S	11/2008	Parry	
D587,999 S	3/2009	Schulthess	

**1 Claim, 7 Drawing Sheets**



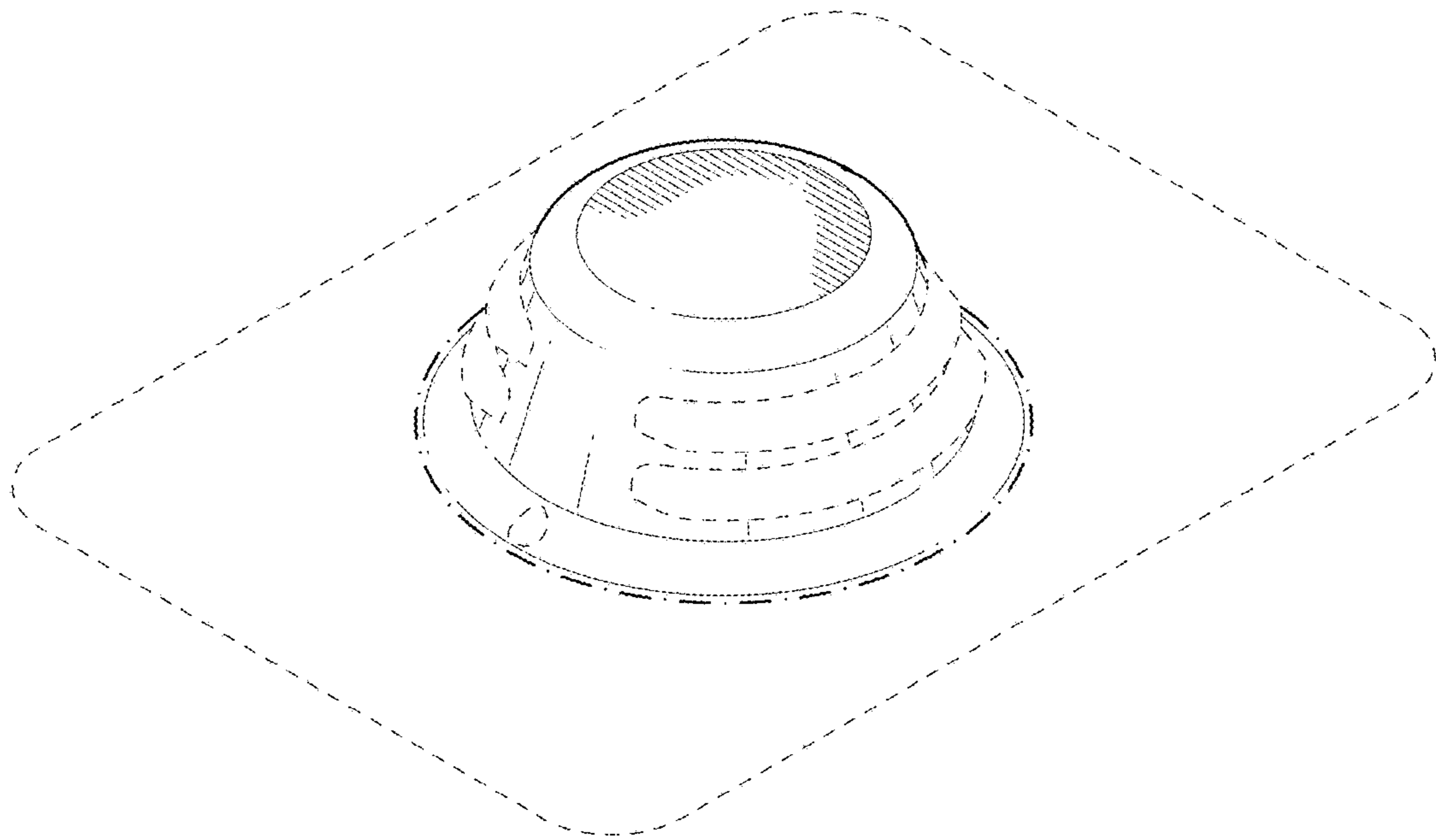


FIG. 1

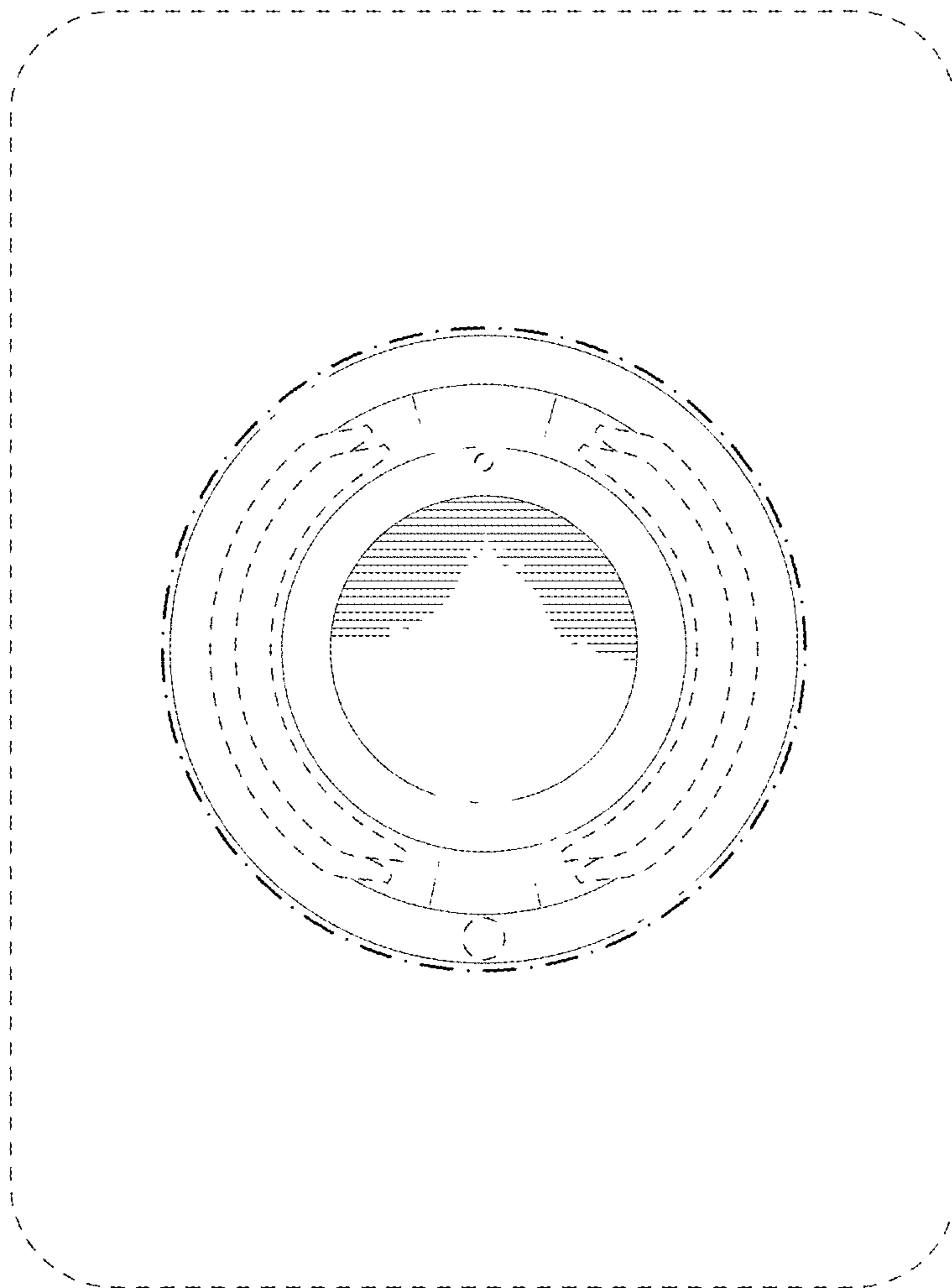


FIG. 2

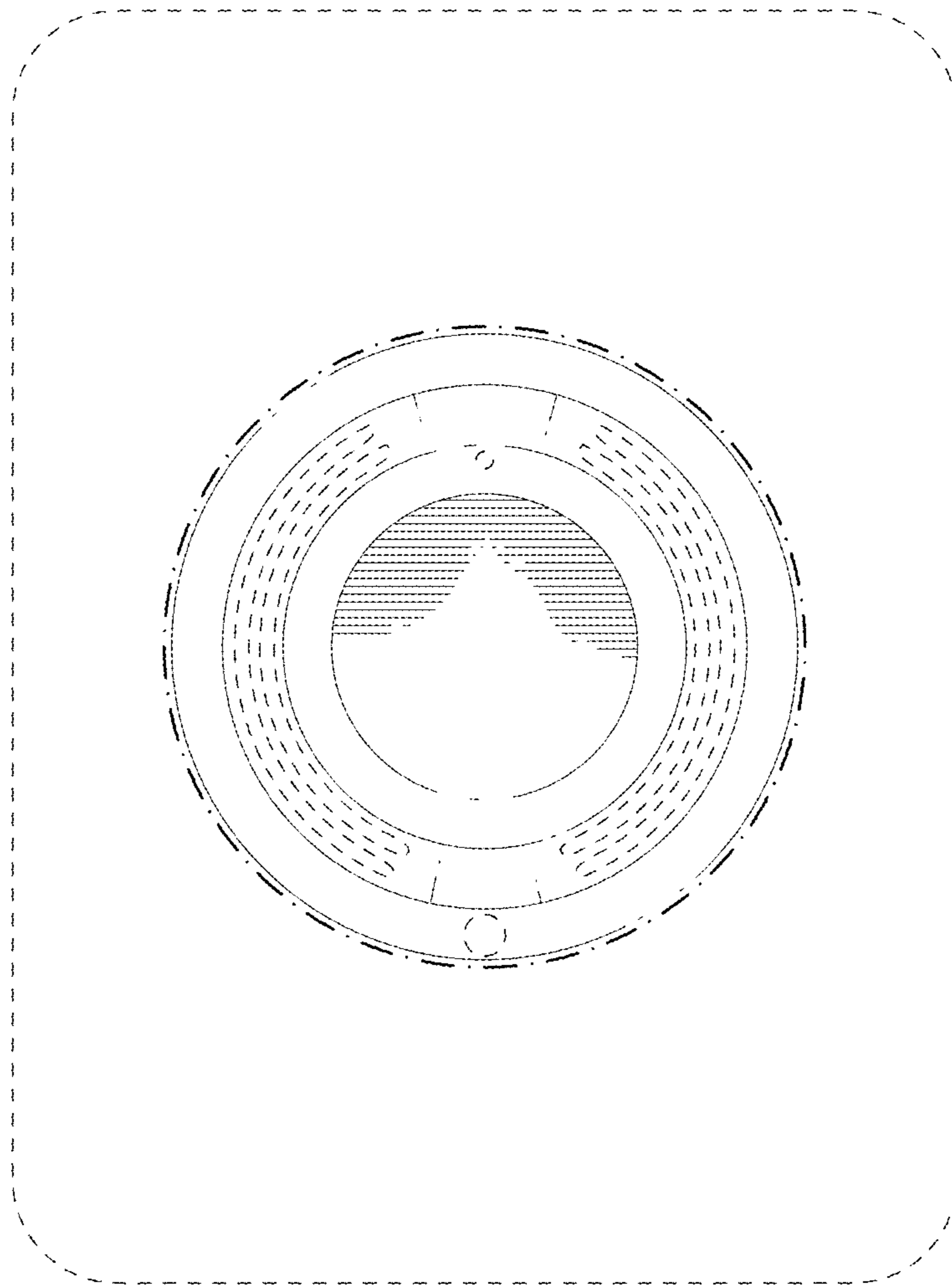


FIG. 3

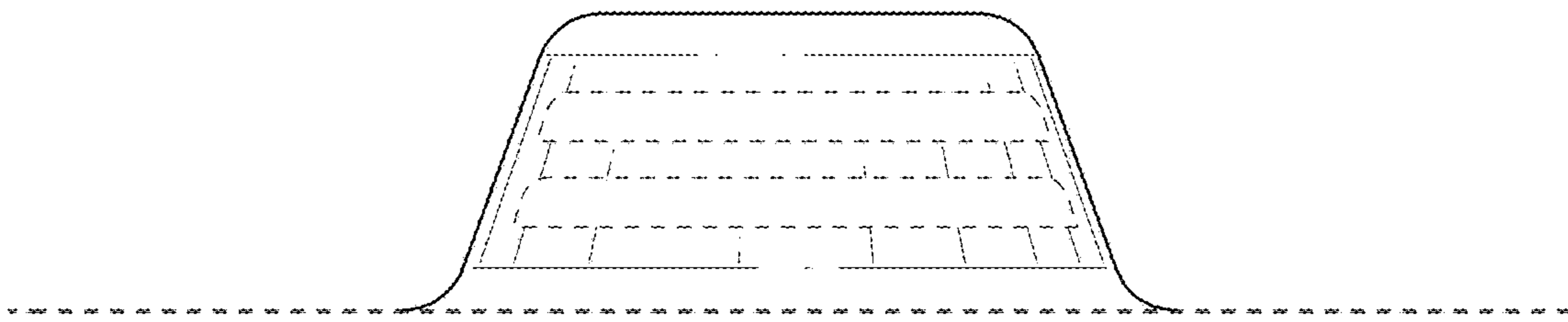


FIG. 4

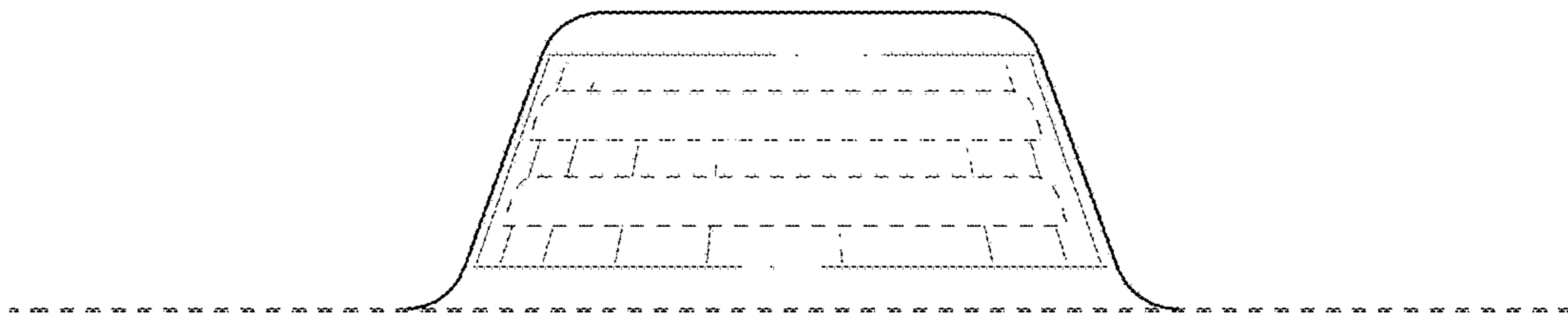


FIG. 5

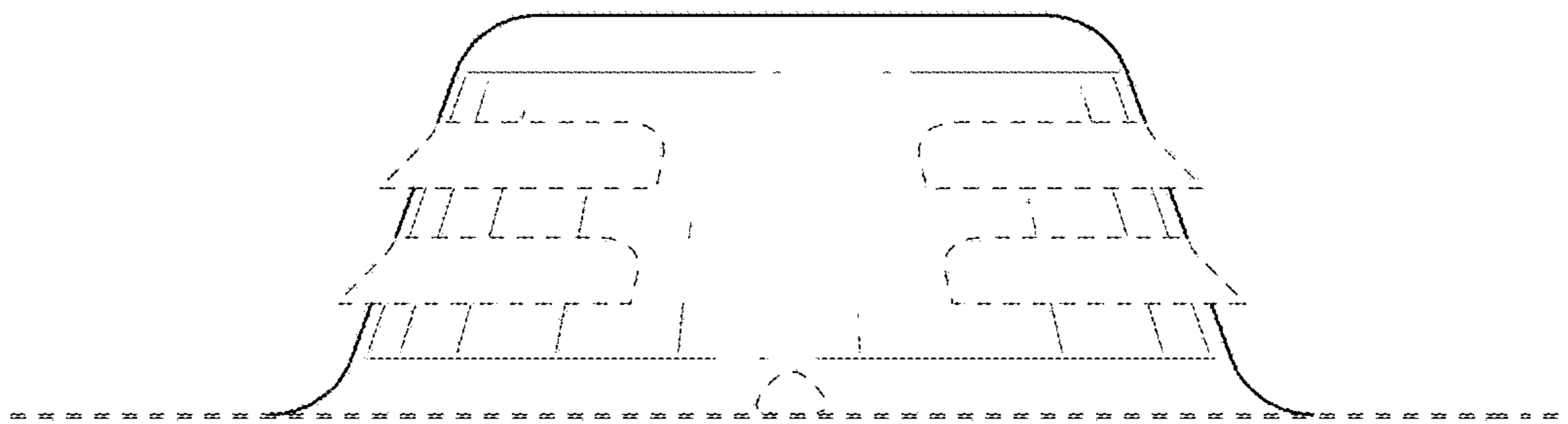


FIG. 6

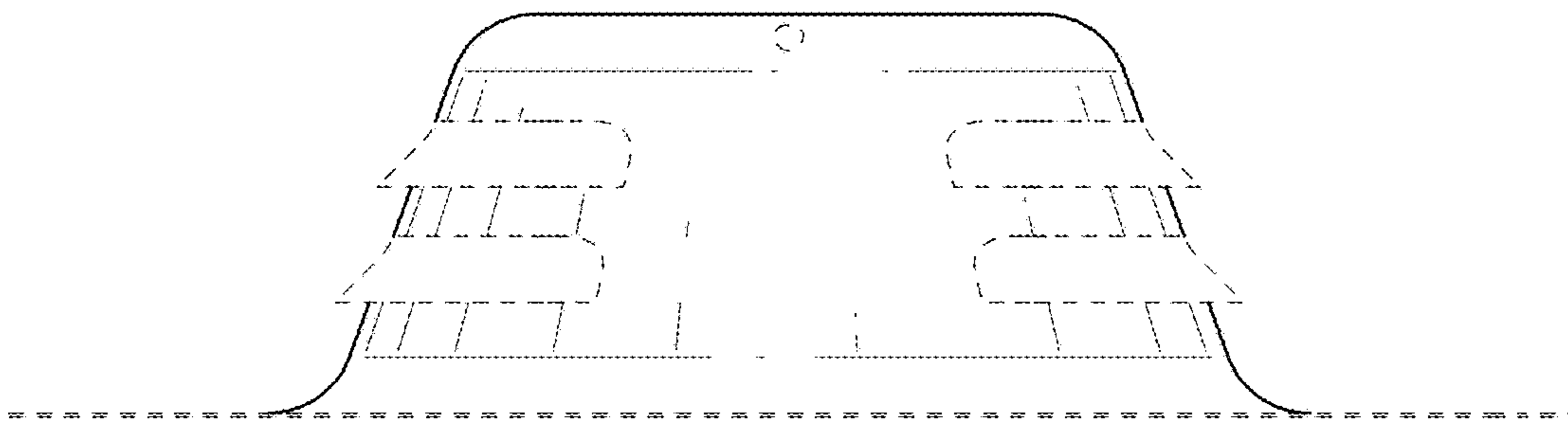


FIG. 7