

US00D792958S

(12) **United States Design Patent** (10) **Patent No.:** **US D792,958 S**
Williams et al. (45) **Date of Patent:** **** Jul. 25, 2017**

- (54) **AIR TREATMENT APPLIANCE**
- (71) Applicant: **Prolitec Inc.**, Milwaukee, WI (US)
- (72) Inventors: **Andrew Williams**, Elm Grove, WI (US); **Harold Wikel**, Muskego, WI (US)
- (73) Assignee: **Prolitec Inc.**, Milwaukee, WI (US)
- (**) Term: **15 Years**
- (21) Appl. No.: **29/542,341**
- (22) Filed: **Oct. 13, 2015**
- (51) **LOC (10) Cl.** **23-04**
- (52) **U.S. Cl.**
USPC **D23/364**
- (58) **Field of Classification Search**
USPC D23/355, 356, 366, 364, 359
CPC . F24F 3/14; B05C 11/00; B65D 37/00; B65D 35/22
See application file for complete search history.

(56) **References Cited**
U.S. PATENT DOCUMENTS

D238,365 S *	1/1976	Mariol et al.	D23/335
D518,480 S *	4/2006	Zheng	D14/307
D550,343 S *	9/2007	Chen	D23/364
D550,826 S *	9/2007	Murai	D23/364

D566,819 S *	4/2008	Chiu	D23/333
D575,857 S *	8/2008	Chiu	D23/333
D578,629 S *	10/2008	Yoo	D23/333
D614,276 S *	4/2010	Harris	D23/364
D660,947 S *	5/2012	Varma	D23/333
D660,948 S *	5/2012	Varma	D23/333
D680,658 S *	4/2013	Feuerabend	D24/216
D732,521 S *	6/2015	Chadbourne	D14/307

* cited by examiner

Primary Examiner — Kevin Rudzinski
 (74) *Attorney, Agent, or Firm* — Seed IP Law Group LLP

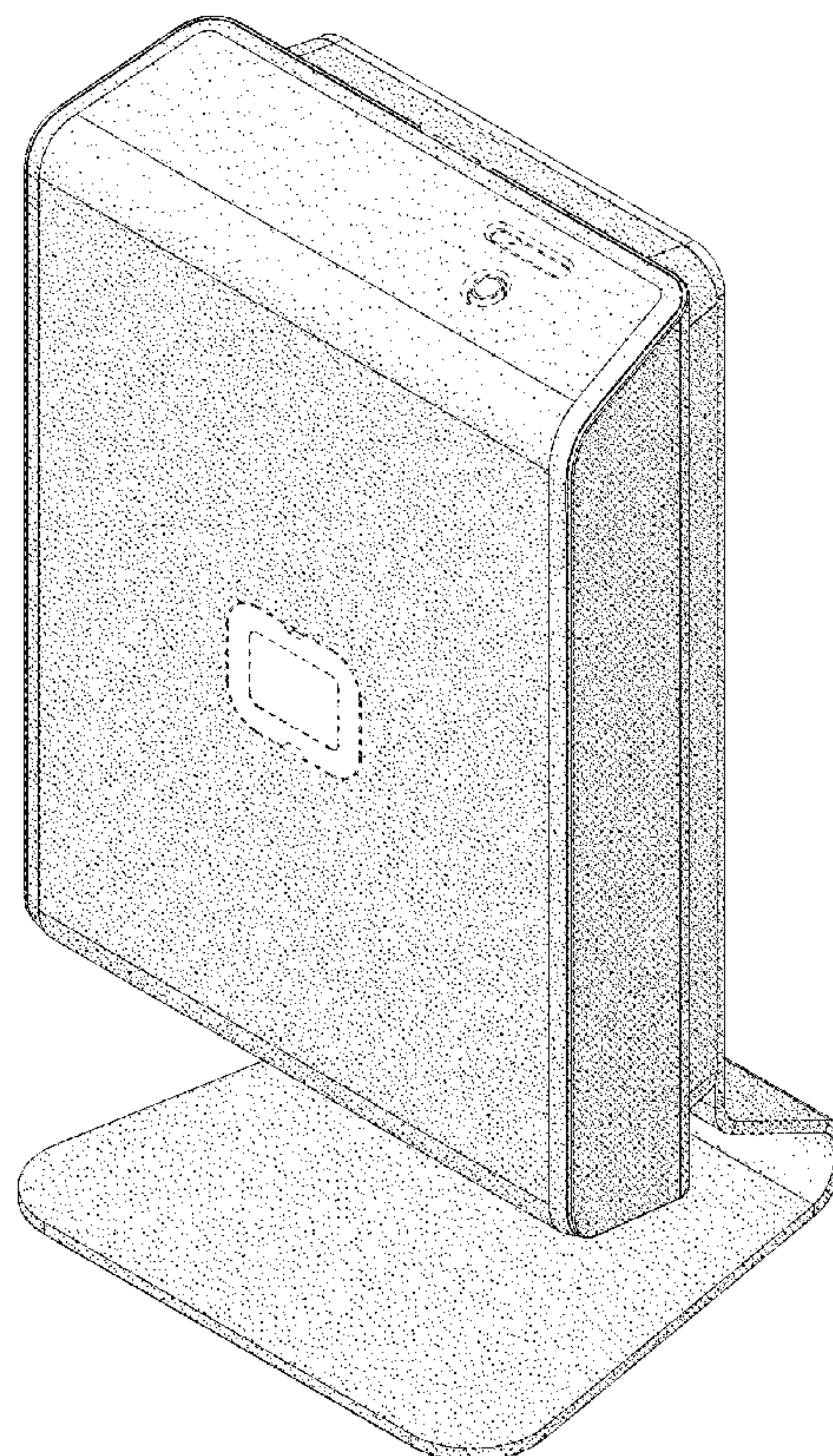
(57) **CLAIM**

The ornamental design for an air treatment appliance, substantially as shown and described.

DESCRIPTION

FIG. 1 is a top isometric view of an air treatment appliance, showing our new design.
 FIG. 2 is a bottom isometric view thereof.
 FIG. 3 is a front elevational view thereof.
 FIG. 4 is a rear elevational view thereof.
 FIG. 5 is a left side elevational view thereof.
 FIG. 6 is a right side elevational view thereof.
 FIG. 7 is a top plan view thereof; and,
 FIG. 8 is a bottom plan view thereof.
 Stippling and tangency lines in the drawings represent the three-dimensional contours of the design, and are not intended to indicate surface decoration. The broken lines in the drawings illustrate portions of the air treatment appliance and form no part of the claimed design.

1 Claim, 6 Drawing Sheets



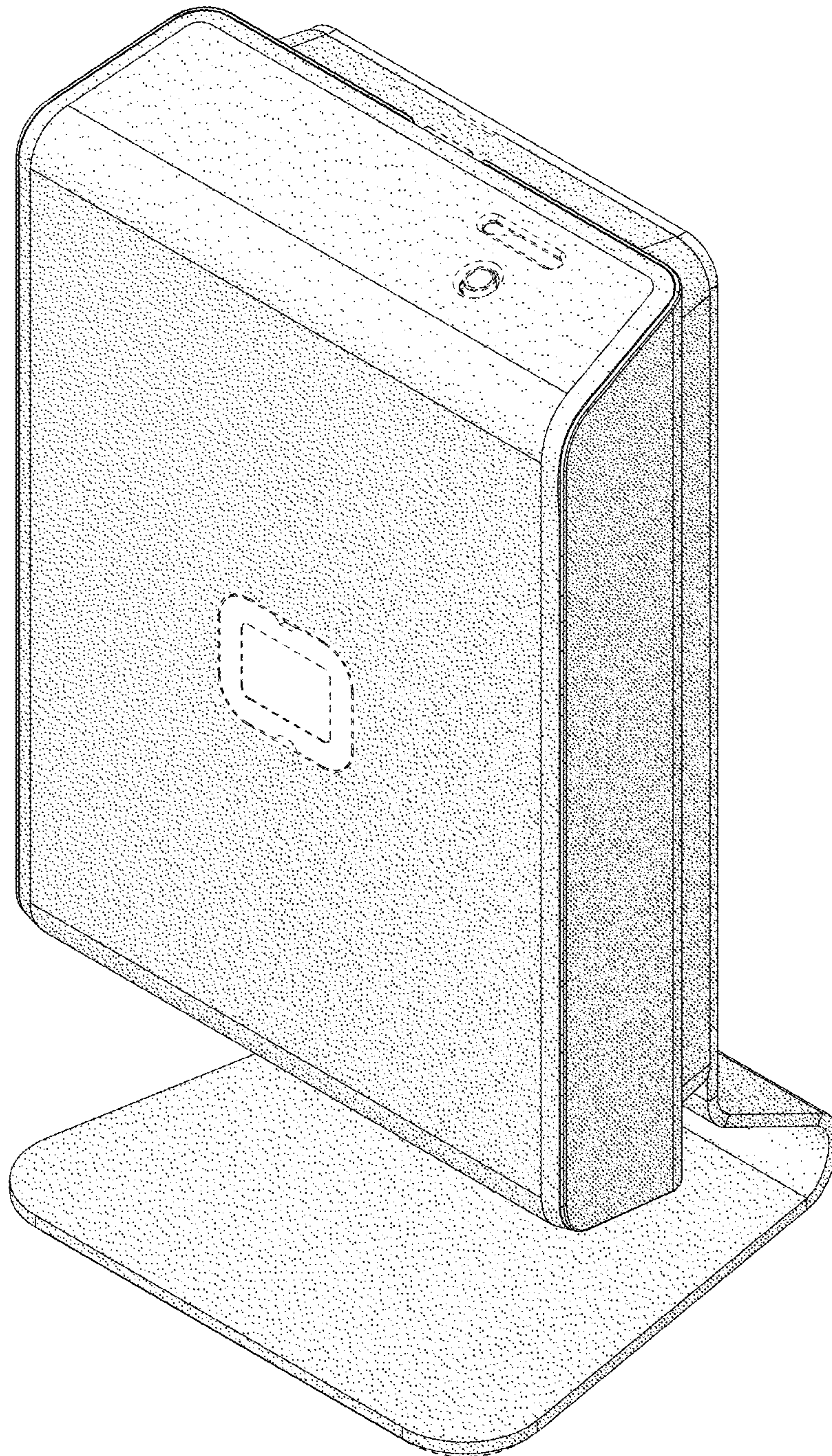


FIG. 1

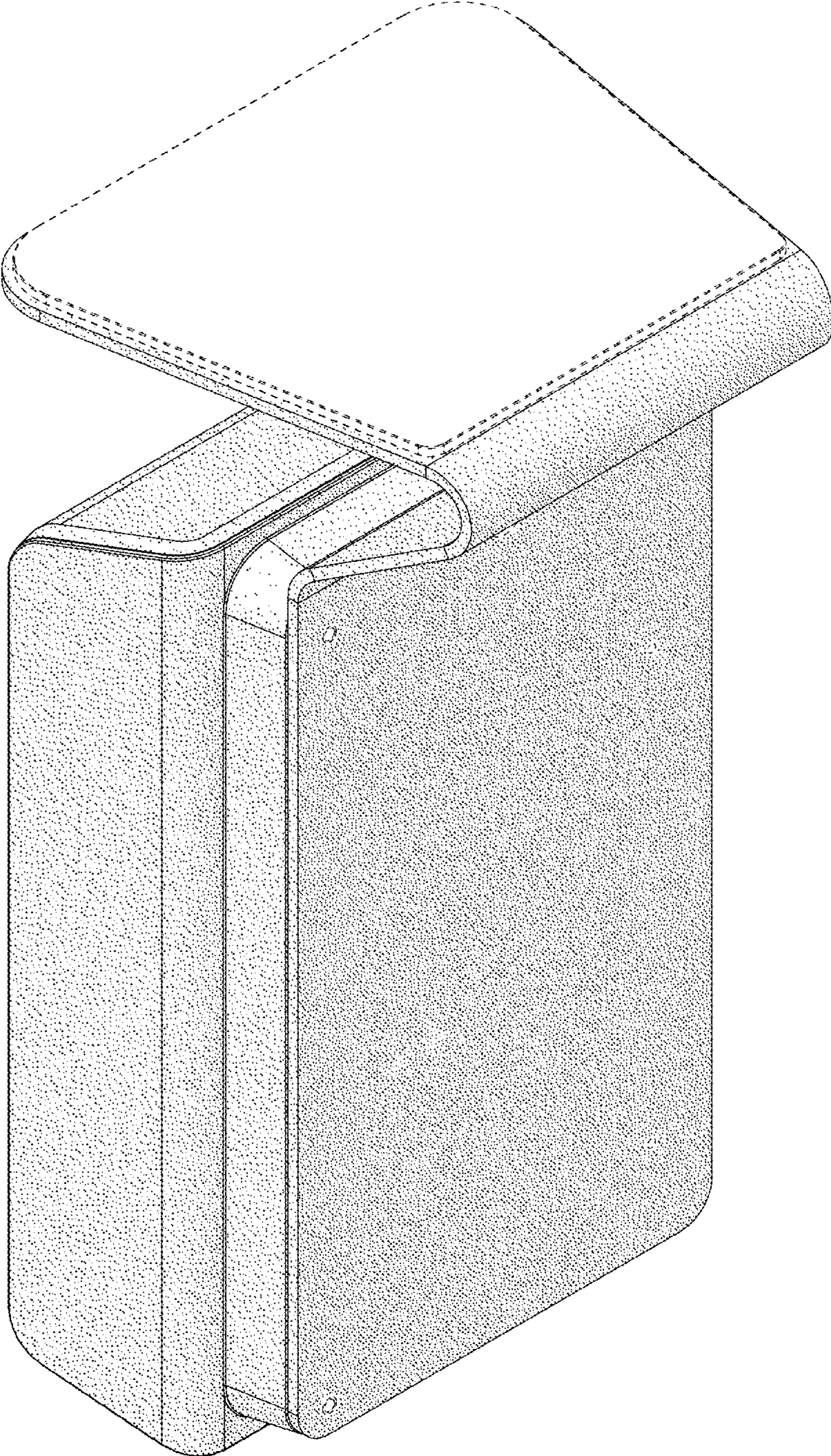


FIG. 2

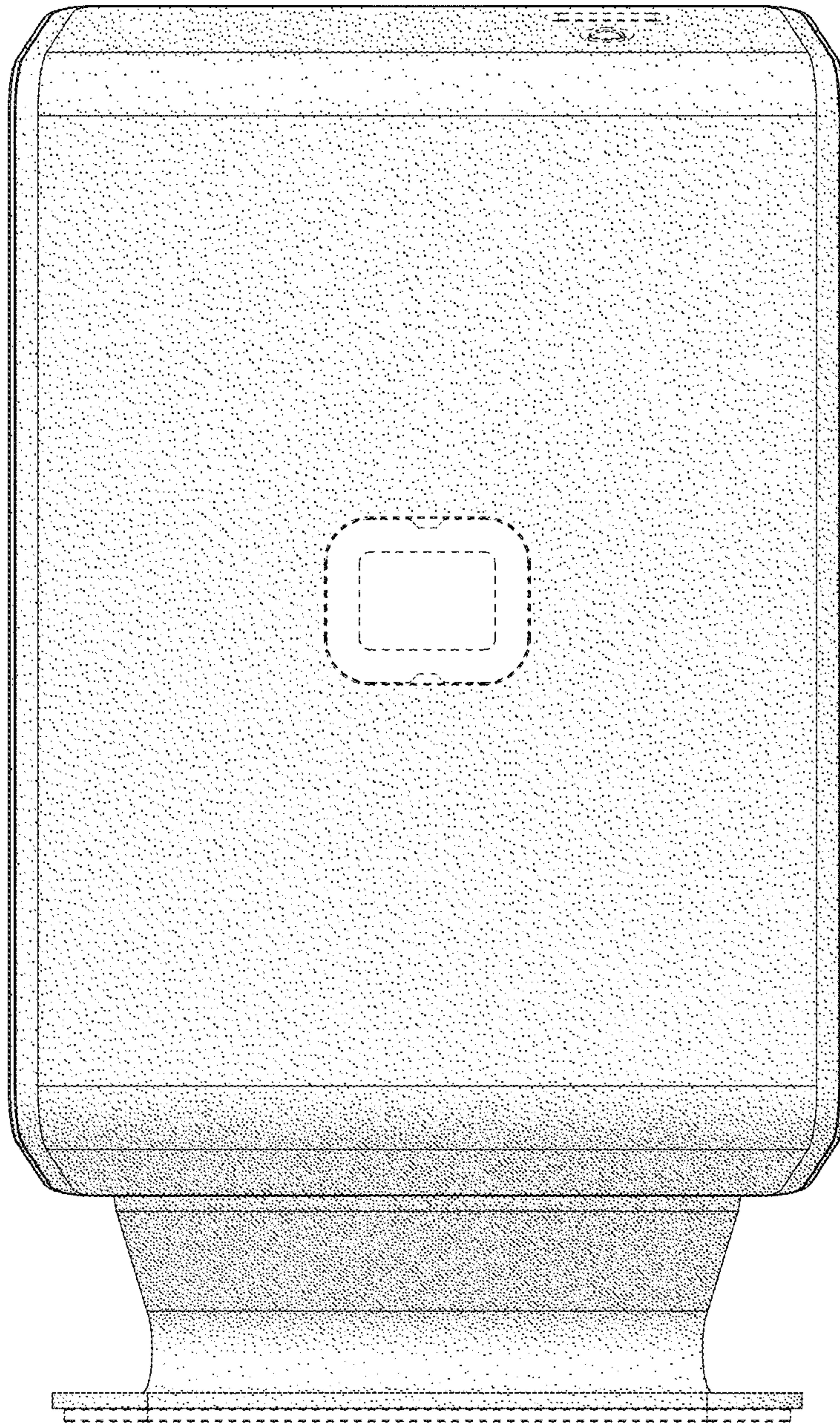


FIG. 3

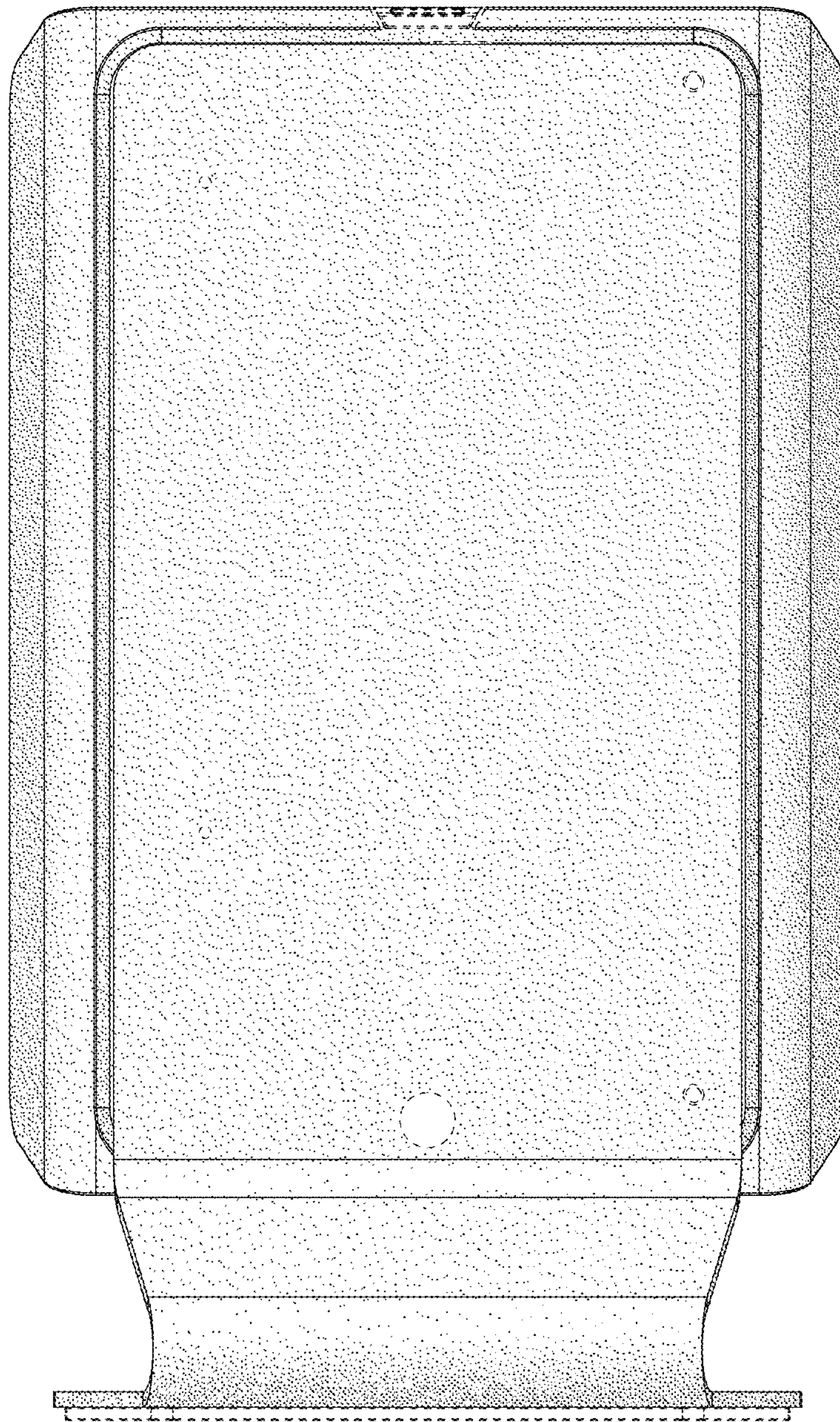


FIG. 4

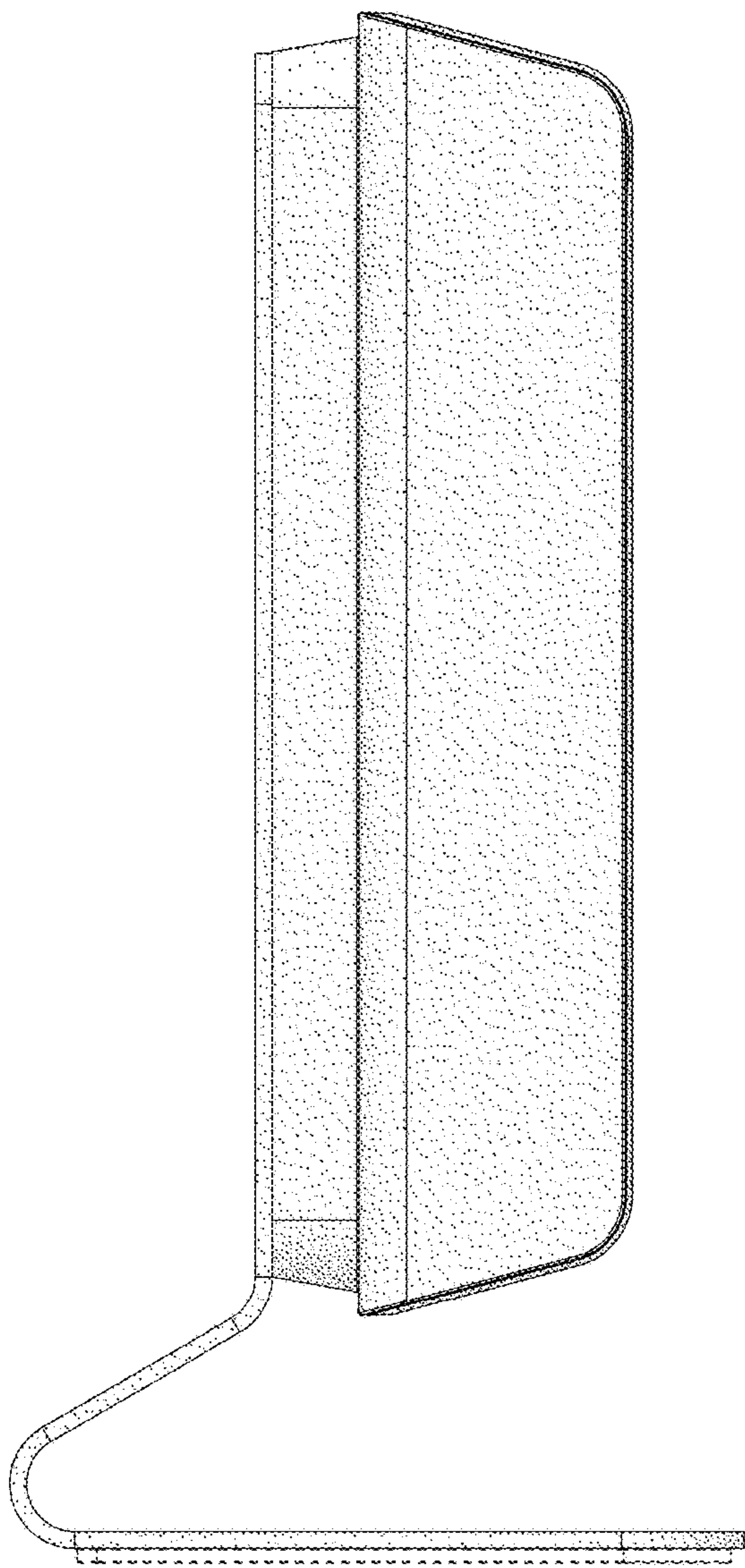


FIG. 5

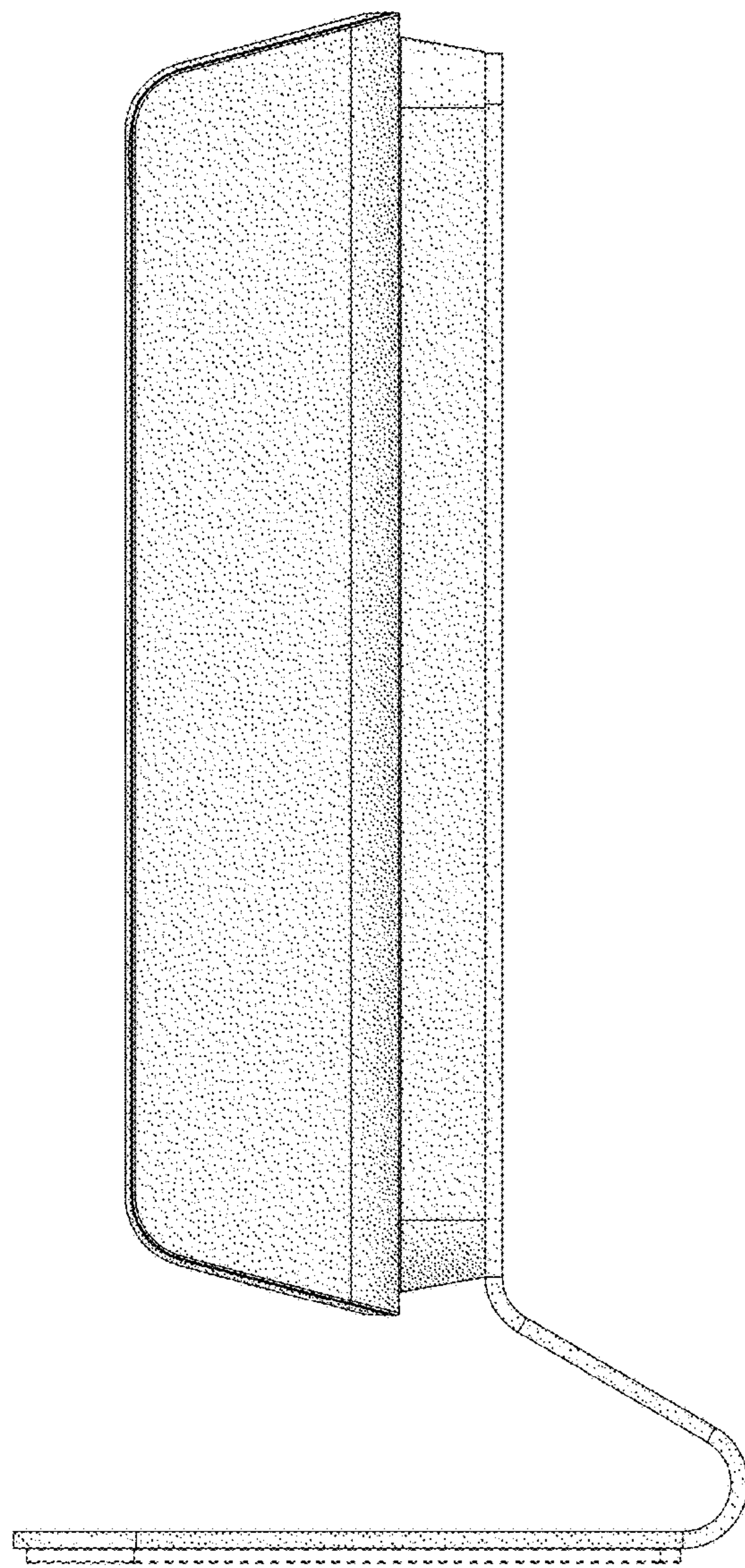


FIG. 6

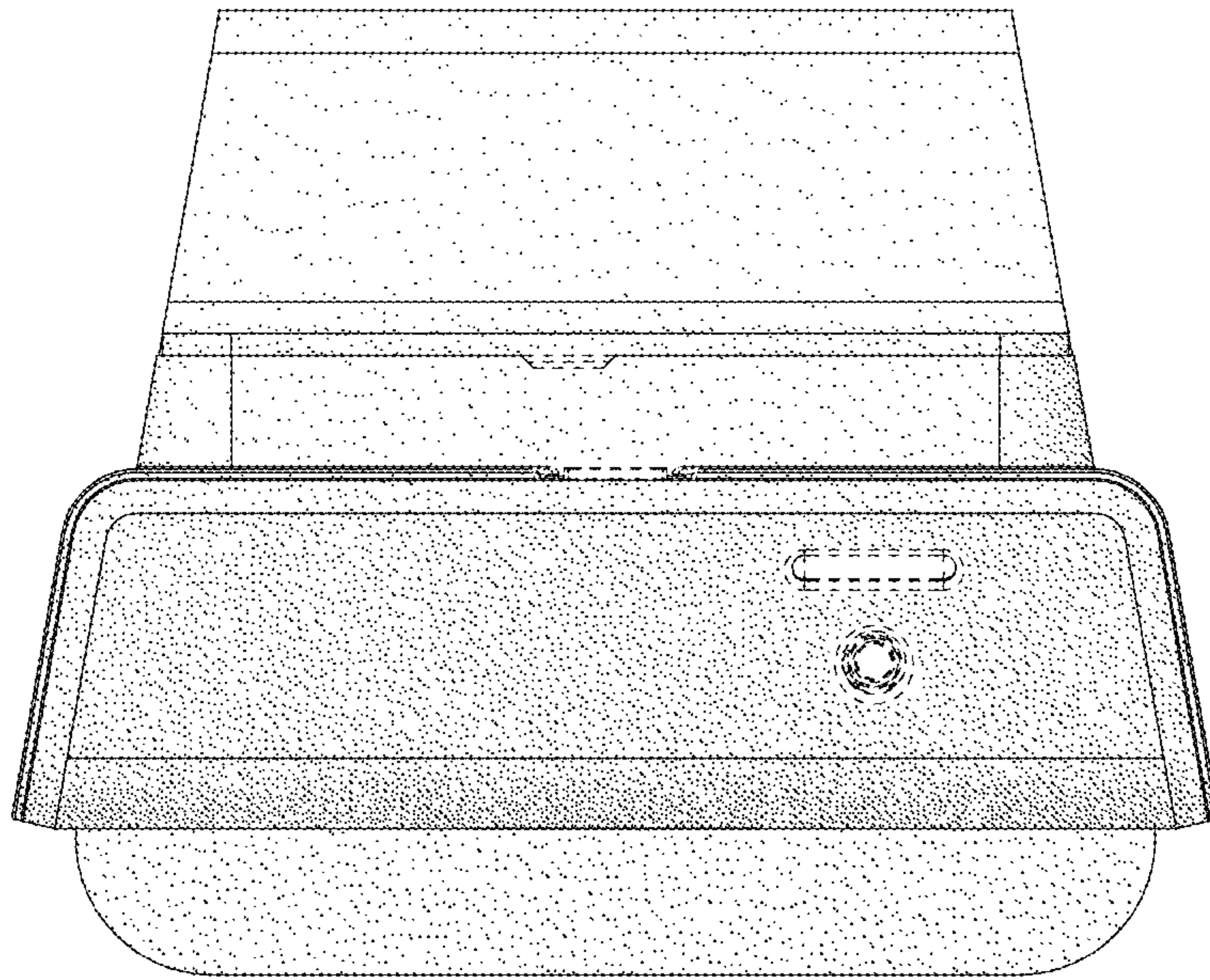


FIG. 7

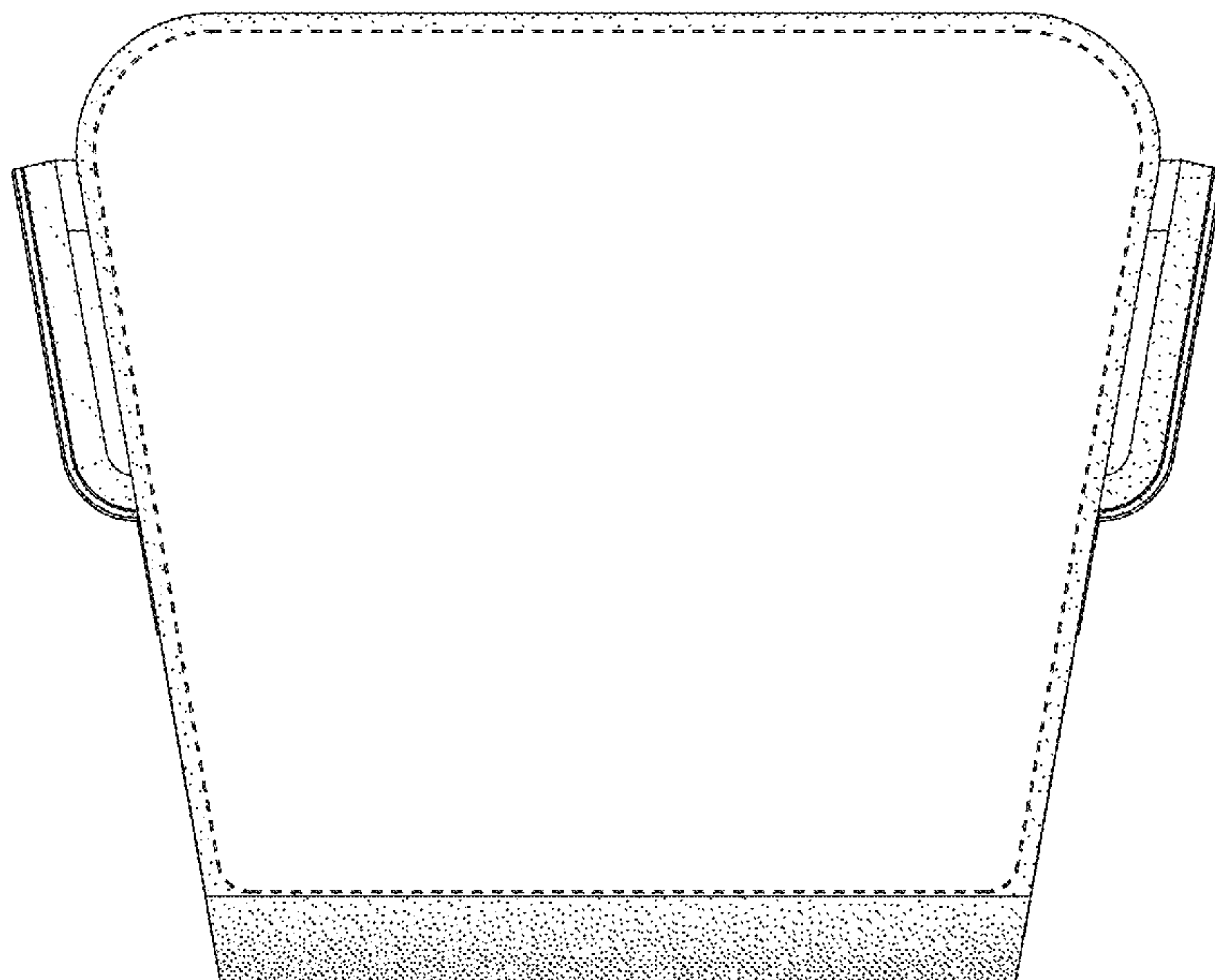


FIG. 8