



US00D792955S

(12) **United States Design Patent**  
**deLoache, III**

(10) **Patent No.:** **US D792,955 S**

(45) **Date of Patent:** **\*\* Jul. 25, 2017**

- (54) **LIGATURE-RESISTANT TOILET**
- (71) Applicant: **BEHAVIORAL SAFETY PRODUCTS, LLC**, Watkinsville, GA (US)
- (72) Inventor: **Robert Lee deLoache, III**, Watkinsville, GA (US)
- (73) Assignee: **BEHAVIORAL SAFETY PRODUCTS, LLC**, Watkinsville, GA (US)
- (\*\*) Term: **15 Years**
- (21) Appl. No.: **29/555,812**
- (22) Filed: **Feb. 25, 2016**
- (51) **LOC (10) Cl.** ..... **23-02**
- (52) **U.S. Cl.**  
USPC ..... **D23/309**
- (58) **Field of Classification Search**  
USPC ..... D23/295-301, 303, 309, 313  
CPC .. E03D 9/00; E03D 3/10; A47K 11/02; A47K 11/026  
See application file for complete search history.

D264,620 S *	5/1982	Kaiser .....	D23/301
4,558,472 A	12/1985	Fromme et al.	
D284,303 S *	6/1986	Yvetot .....	D23/301
D311,242 S *	10/1990	Reid .....	D23/301
4,962,550 A *	10/1990	Ikenaga .....	E03D 9/00 4/314
5,251,340 A	10/1993	Su-Land	
5,680,949 A	10/1997	Roesler	
D412,974 S *	8/1999	Birsel .....	D23/301
6,129,109 A	10/2000	Humber	
D438,939 S *	3/2001	Kawamura .....	D23/295
D509,575 S *	9/2005	Kergoet .....	D23/295
D733,270 S *	6/2015	Hao .....	D23/301
2006/0085901 A1	4/2006	Janssen	
2011/0174392 A1	7/2011	deLoache, III et al.	

\* cited by examiner

*Primary Examiner* — Robert M Spear  
*Assistant Examiner* — John Voytek  
 (74) *Attorney, Agent, or Firm* — Mitch Harris, Atty at Law, LLC; Andrew M. Harris

(57) **CLAIM**

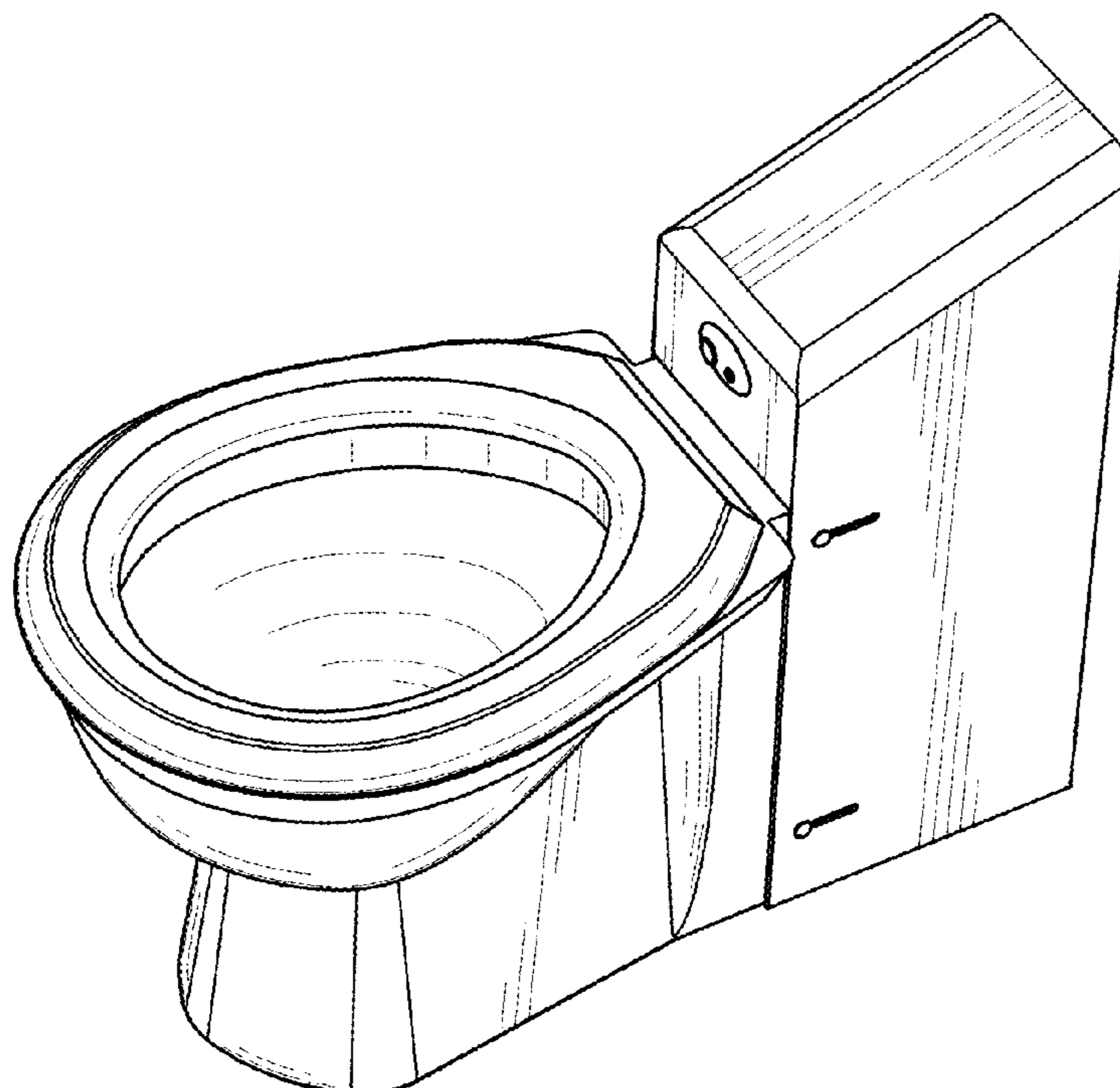
The ornamental design for a ligature-resistant toilet, as shown and described.

**DESCRIPTION**

FIG. 1 is an isometric view of the ligature-resistant toilet.  
 FIG. 2 is a front view of the ligature-resistant toilet.  
 FIG. 3 is a left side view of the ligature-resistant toilet.  
 FIG. 4 is a rear view of the ligature-resistant toilet.  
 FIG. 5 is a right side view of the ligature-resistant toilet.  
 FIG. 6 is a bottom view of the ligature-resistant toilet; and,  
 FIG. 7 is a top view of the ligature-resistant toilet.

**1 Claim, 7 Drawing Sheets**

- (56) **References Cited**  
U.S. PATENT DOCUMENTS
- 1,815,855 A 9/1929 Lauritano
- 3,495,276 A 2/1970 Suess
- 3,573,344 A 4/1971 Snyder
- 3,729,113 A 4/1973 Lopatka
- 3,901,406 A 8/1975 Kivett
- D261,799 S \* 11/1981 Alger ..... D23/301



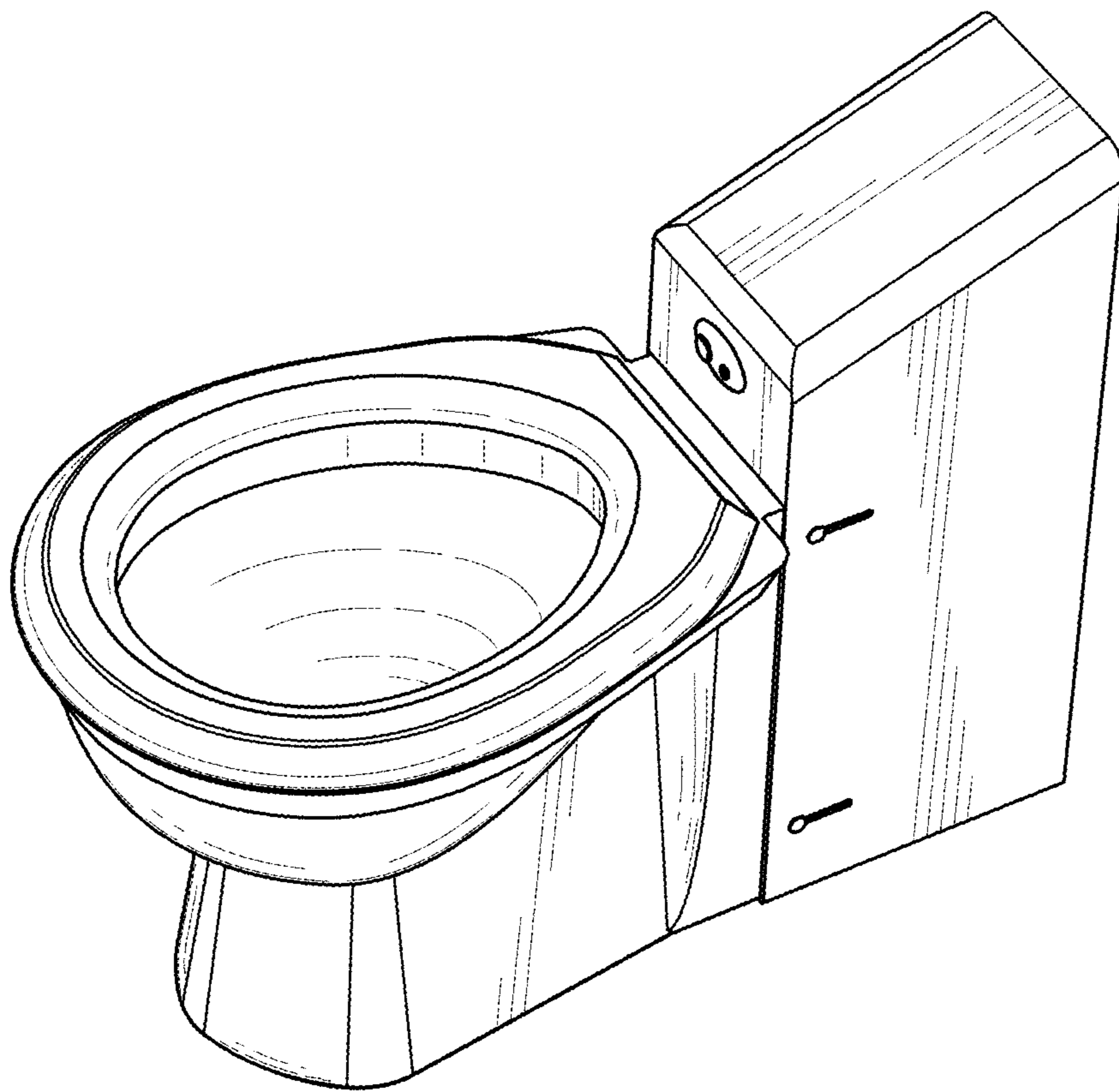


FIG. 1

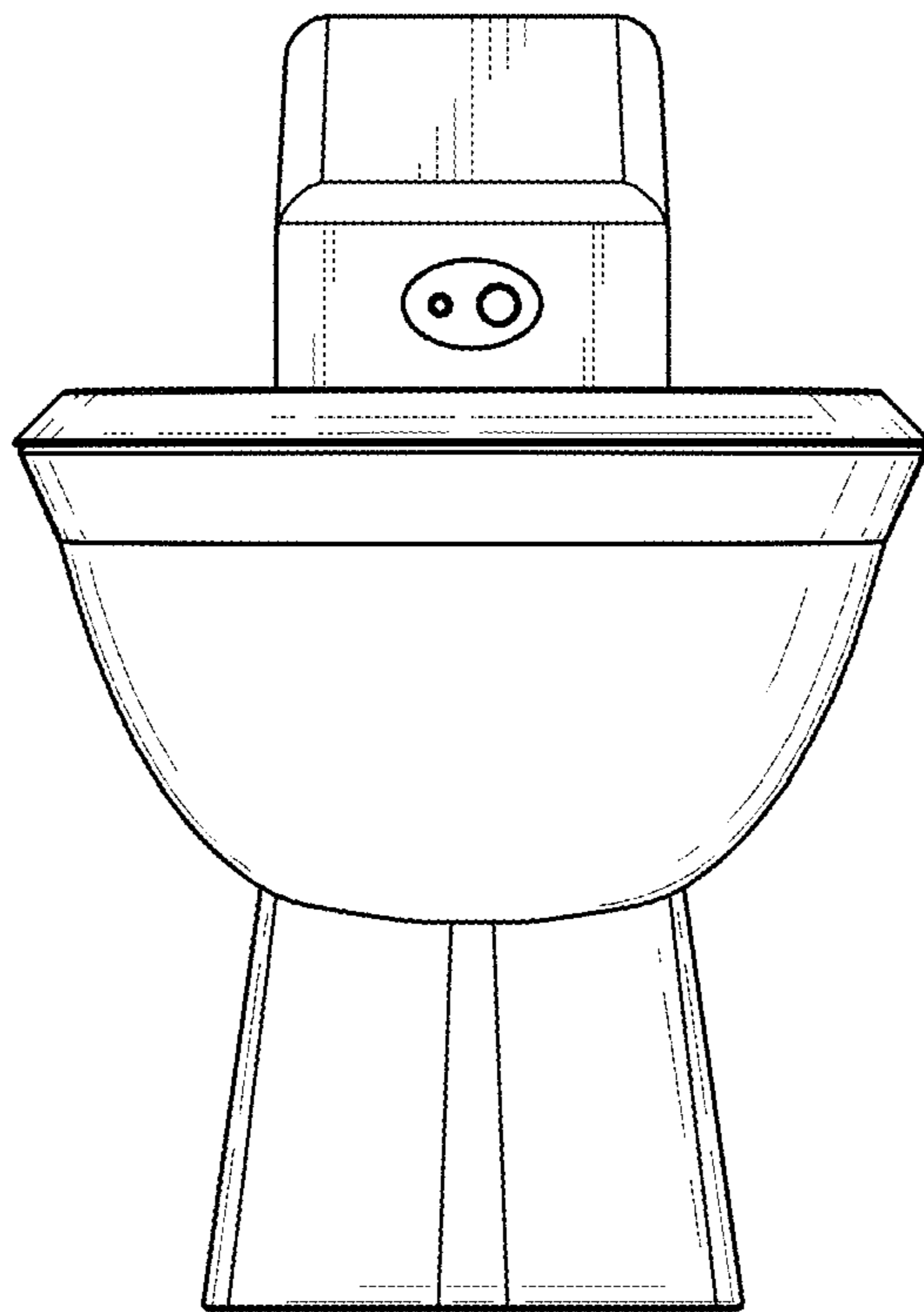


FIG. 2

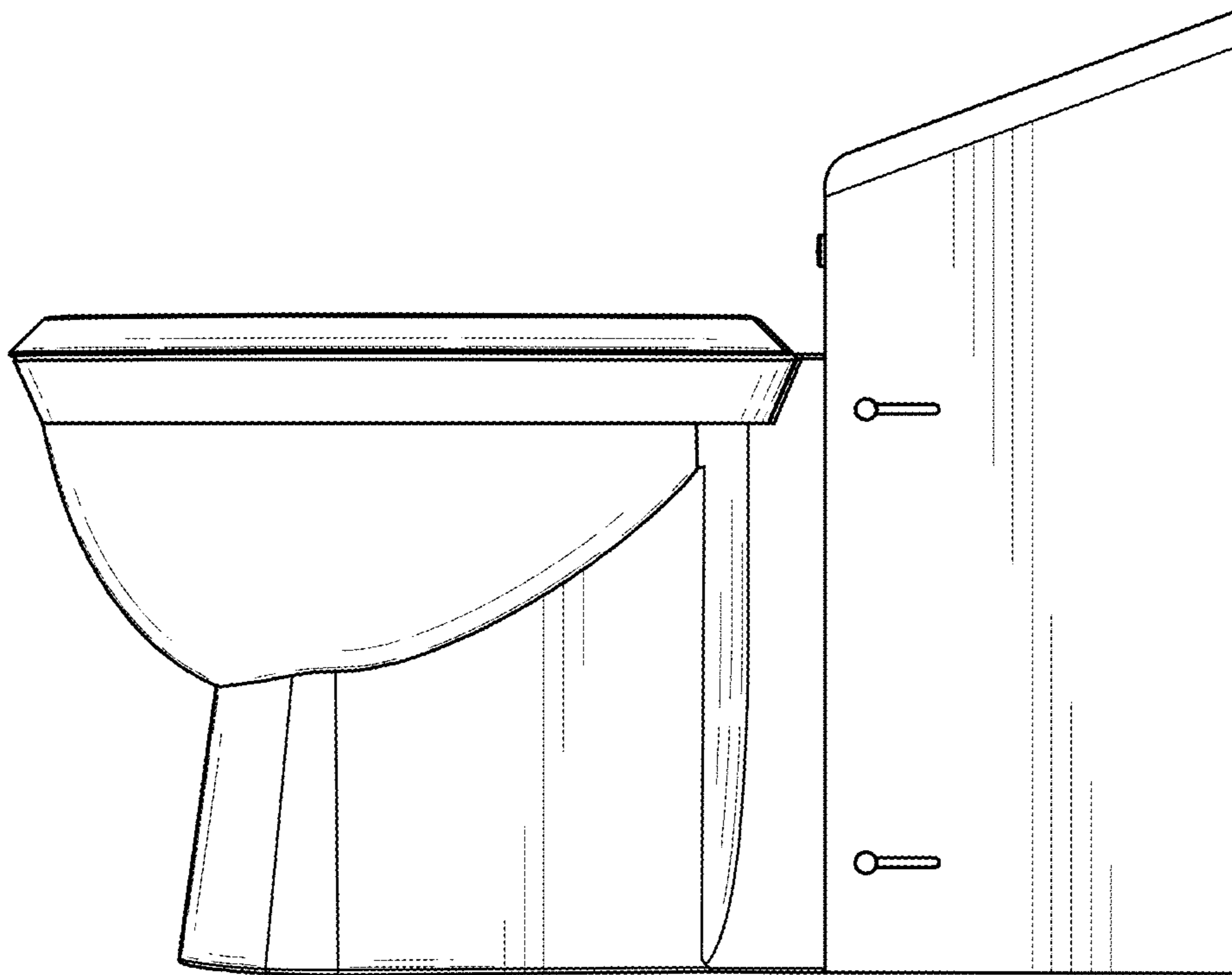


FIG. 3

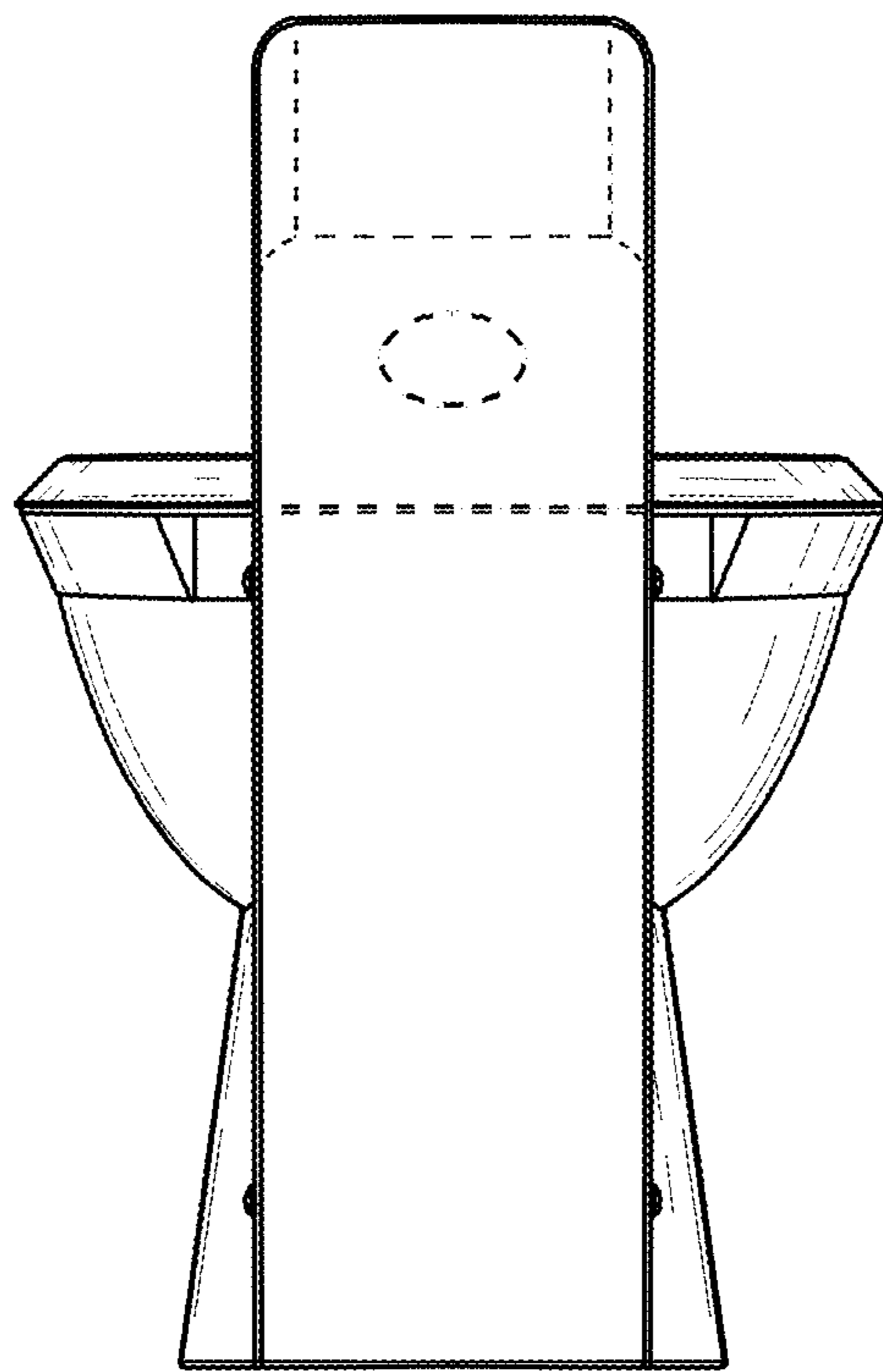


FIG. 4

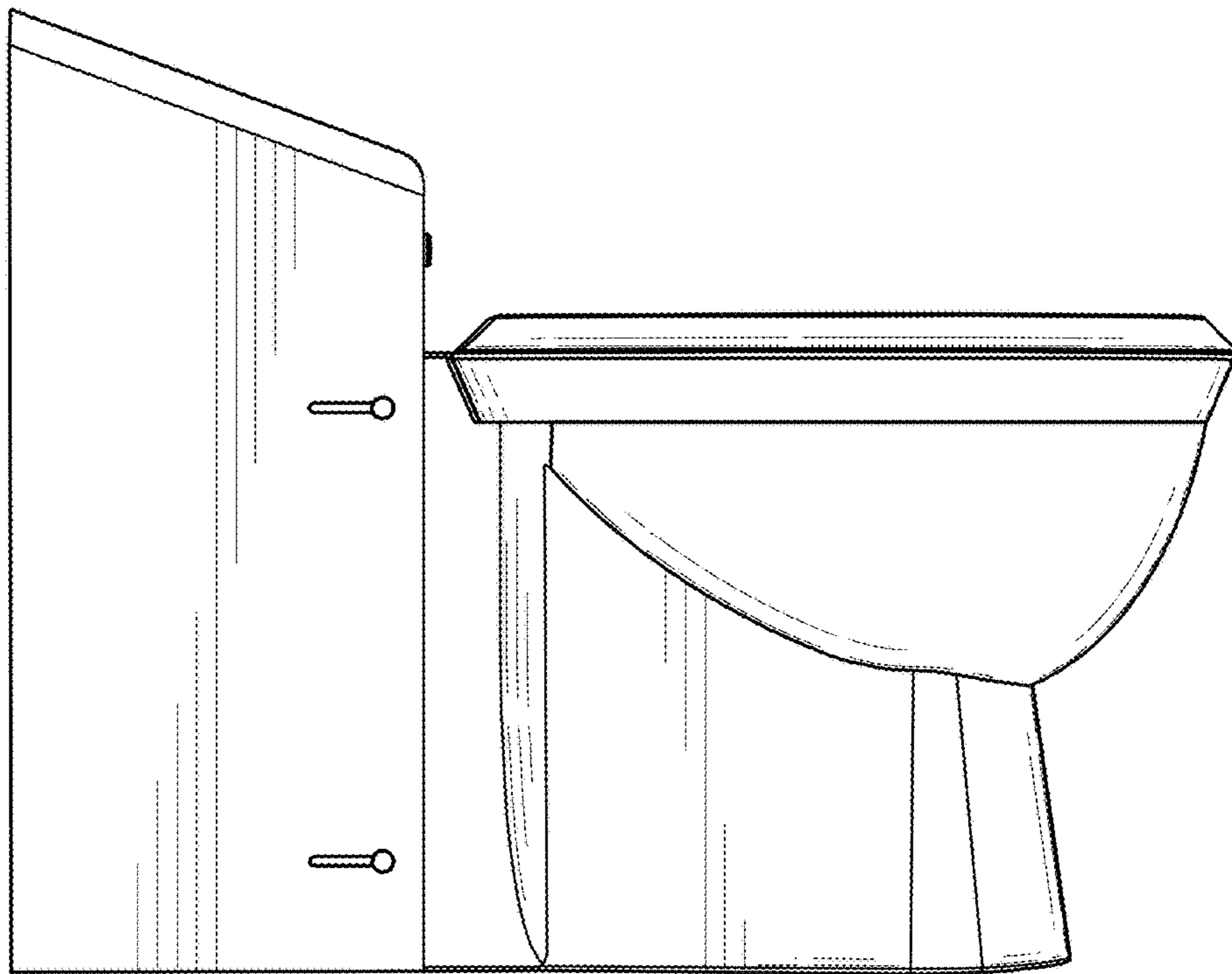


FIG. 5

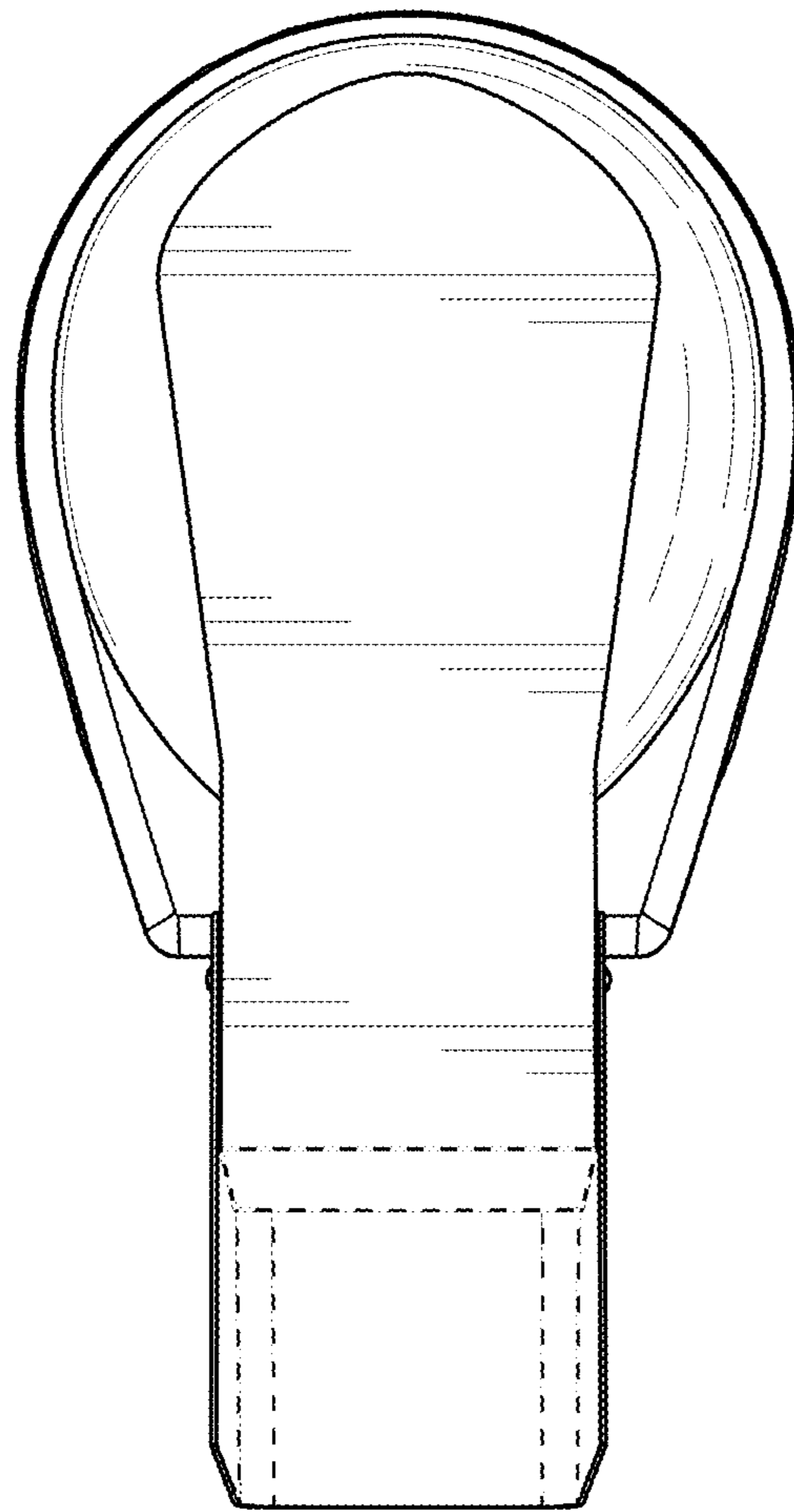


FIG. 6



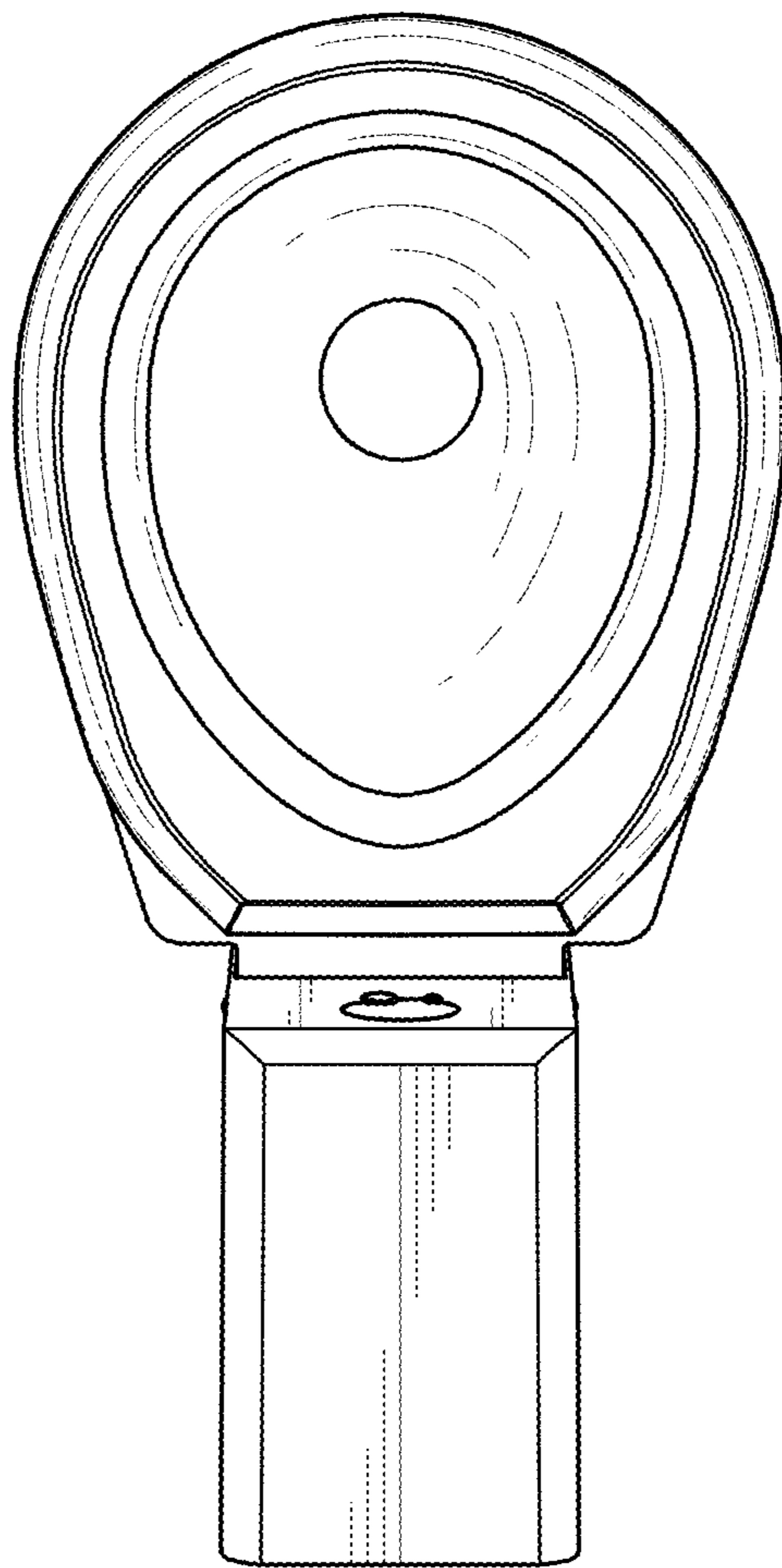


FIG. 7