



US00D792954S

(12) **United States Design Patent**  
**Sander et al.**

(10) **Patent No.:** **US D792,954 S**  
(45) **Date of Patent:** **\*\* Jul. 25, 2017**

(54) **SHOWER BASE**

- (71) Applicant: **Sander and Sons, Inc.**, Littleton, CO (US)
- (72) Inventors: **Michael Sander**, Littleton, CO (US); **Philip Sander**, Littleton, CO (US)
- (73) Assignee: **Sander and Sons, Inc.**, Littleton, CO (US)

(\*\*) Term: **15 Years**

(21) Appl. No.: **29/551,474**

(22) Filed: **Jan. 13, 2016**

(51) **LOC (10) Cl.** ..... **23-02**

(52) **U.S. Cl.**

USPC ..... **D23/304**

(58) **Field of Classification Search**

USPC ..... D23/303–305, 275

CPC ..... A47K 3/40; A47K 3/405

See application file for complete search history.

(56) **References Cited**

**U.S. PATENT DOCUMENTS**

D351,019 S	9/1994	Moore et al.	
D367,522 S	2/1996	Debs	
D480,455 S	10/2003	Painter et al.	
6,990,695 B2 *	1/2006	Grayson	A47K 3/40 4/612
D596,722 S *	7/2009	Hisey	D23/304
7,752,686 B2	7/2010	Polimeno	
8,181,288 B1	5/2012	Davis, Jr.	
8,209,795 B2	7/2012	Cook	
8,474,069 B1 *	7/2013	Whitinger	A47K 3/405 4/613
8,677,521 B2 *	3/2014	Stimpson	A47K 3/40 4/613
8,789,316 B2	7/2014	Cook	
8,850,633 B2 *	10/2014	Erlebach	A47K 3/40 4/679
9,334,638 B1 *	5/2016	Kirby	A47K 3/40

**OTHER PUBLICATIONS**

American Standard “Installation Instructions—Ciencia Solid Surface Bases” 2 pages, copyright AS America Inc. 2012.

\* cited by examiner

*Primary Examiner* — Robert Delehanty

(74) *Attorney, Agent, or Firm* — Trenner Law Firm, LLC; Mark D. Trenner

(57) **CLAIM**

The ornamental design for a shower base, substantially as shown in the attached drawings.

**DESCRIPTION**

FIG. 1 is a top perspective view of the shower base design with a front drainage;

FIG. 2 is a bottom perspective view of the shower base design shown in FIG. 1;

FIG. 3 is a top view of the design corresponding to FIG. 1;

FIG. 4 is a bottom view of the design corresponding to FIG. 2;

FIG. 5 is a right-side view of the design corresponding to FIG. 1;

FIG. 6 is a left-side view of the design corresponding to FIG. 1;

FIG. 7 is a front view of the design corresponding to FIG. 1;

FIG. 8 is a back view of the design corresponding to FIG. 1;

FIG. 9 is another top perspective view of the shower base design with an illustrative drainage grate;

FIG. 10 is a top perspective view of the shower base design, with a center drain; and,

FIG. 11 is a bottom perspective view of the shower base design shown in FIG. 10; wherein the sidewalls and bottom pan are shown in broken line and do not form a part of the design.

**1 Claim, 9 Drawing Sheets**

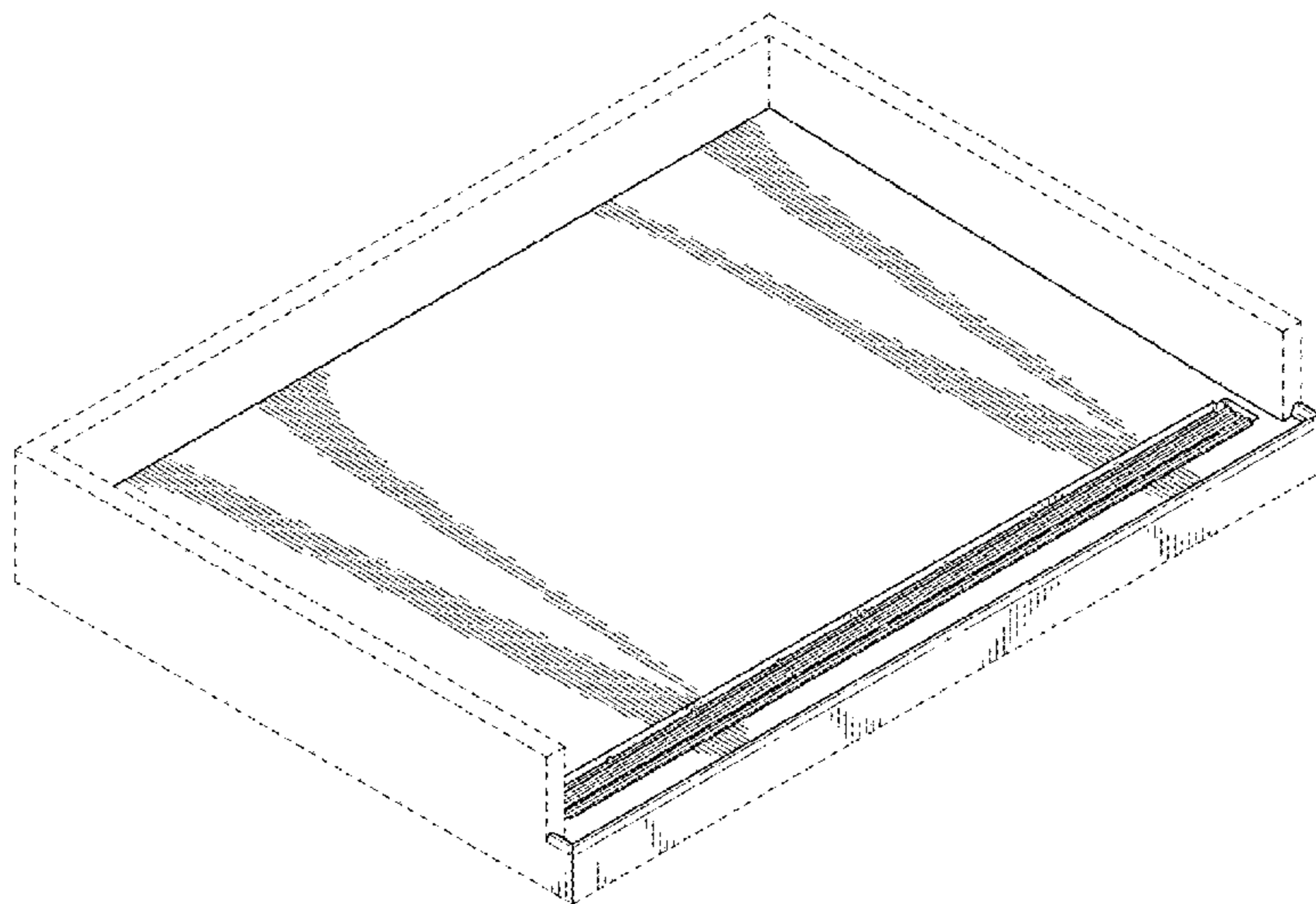


FIG. 1

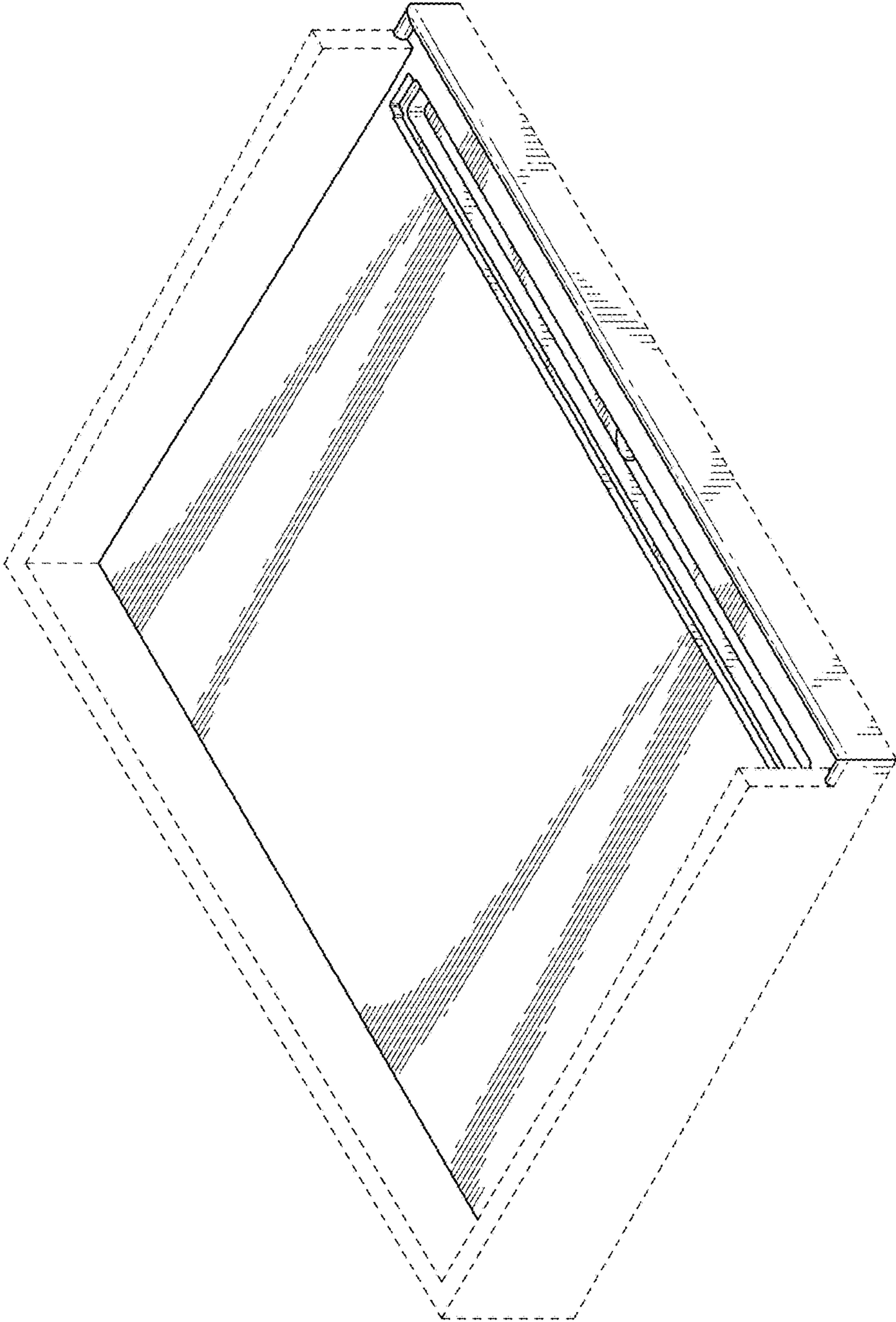


FIG. 2

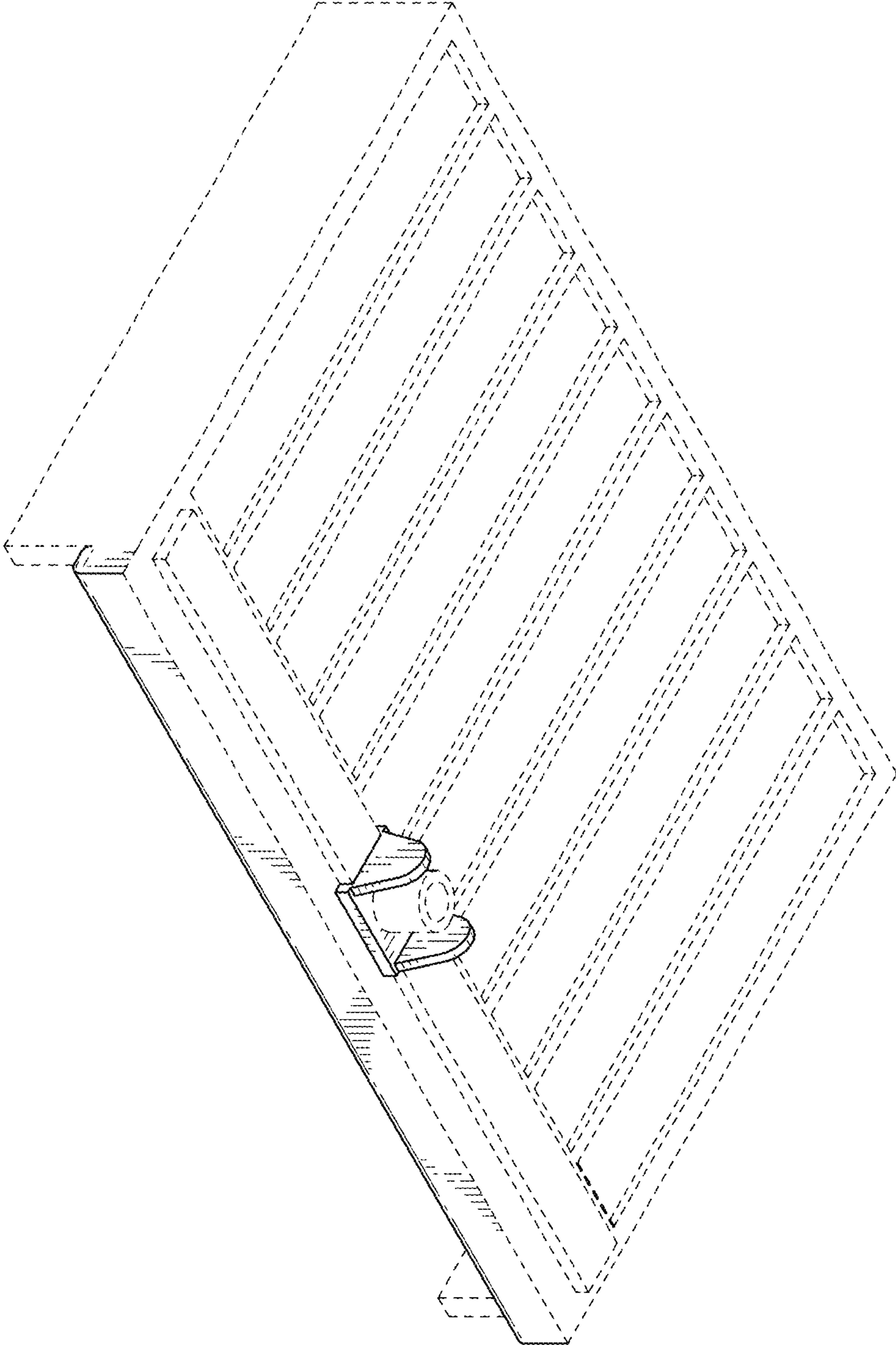


FIG. 3

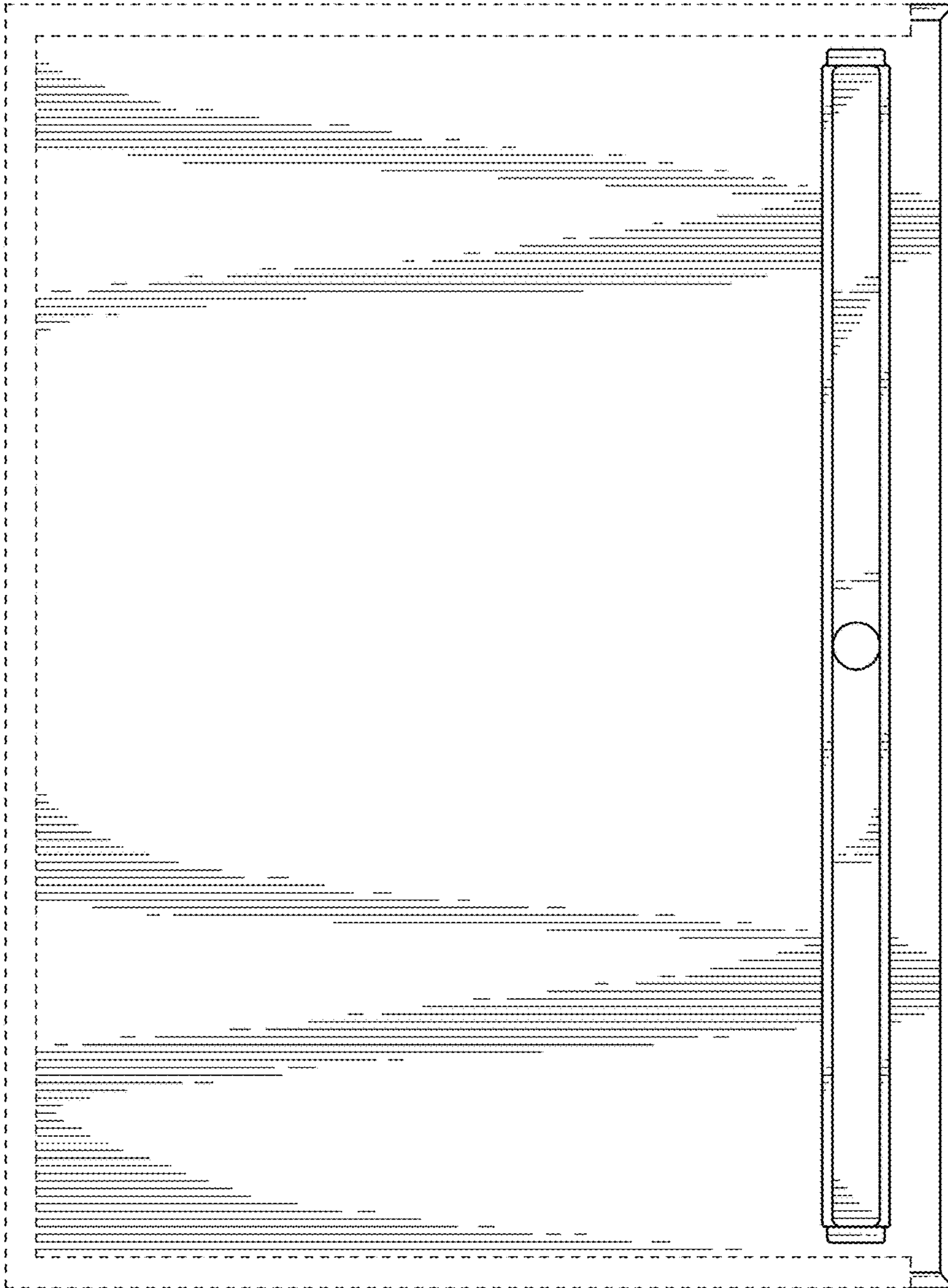


FIG. 4

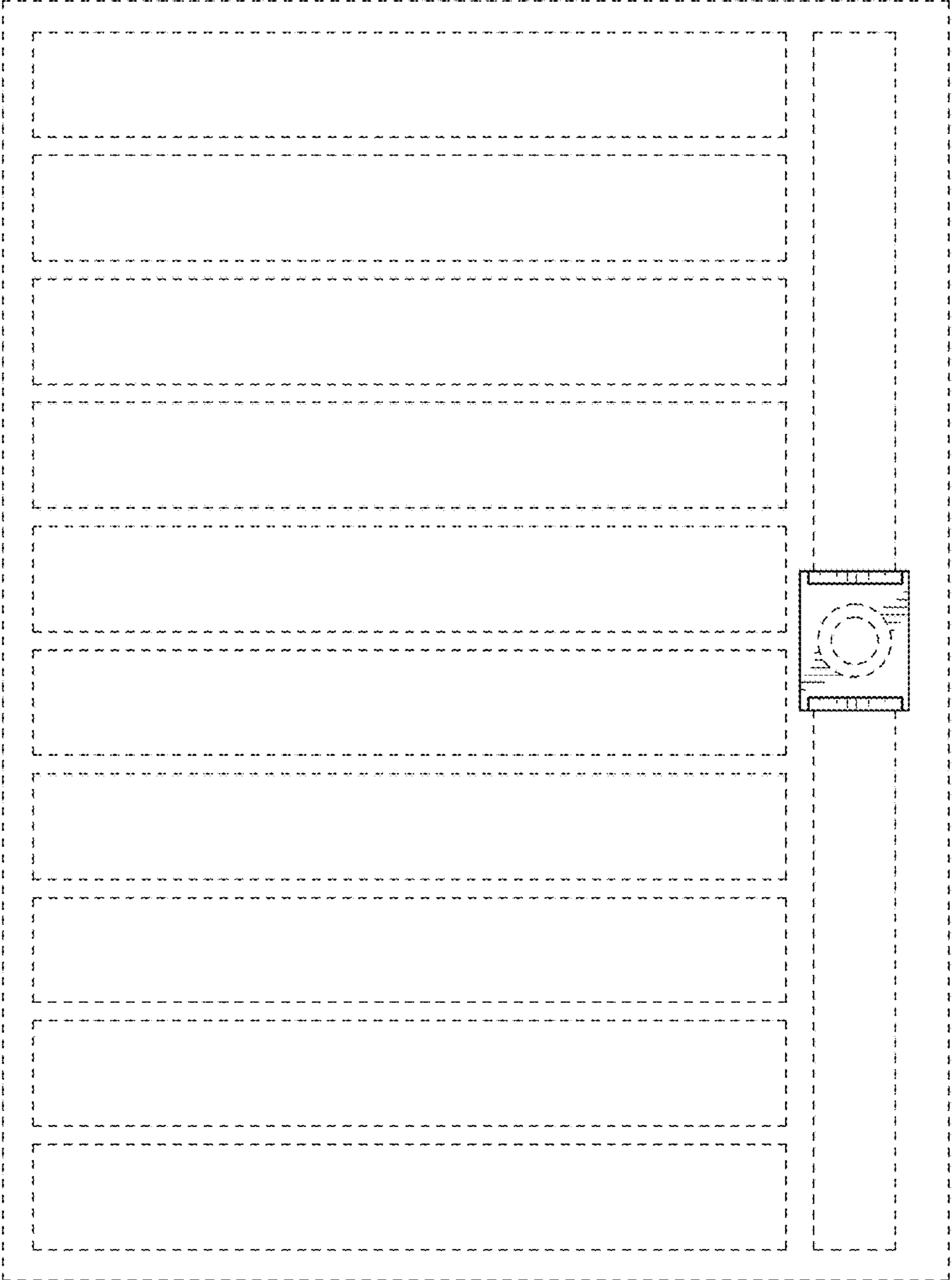


FIG. 5

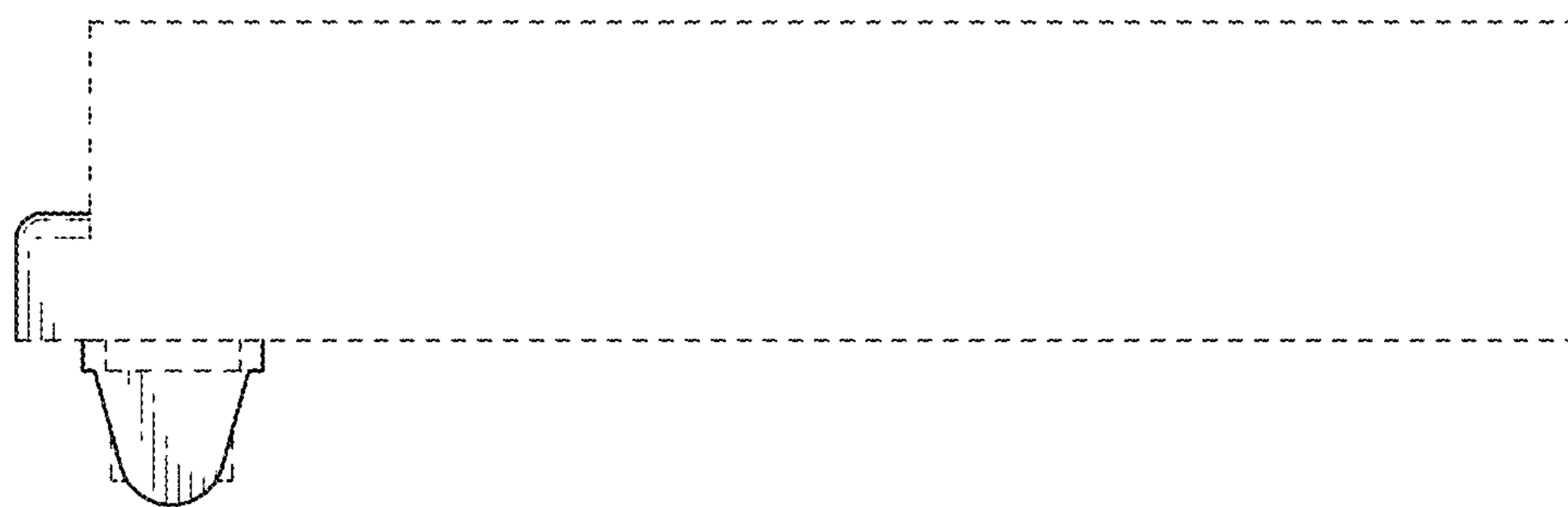


FIG. 6

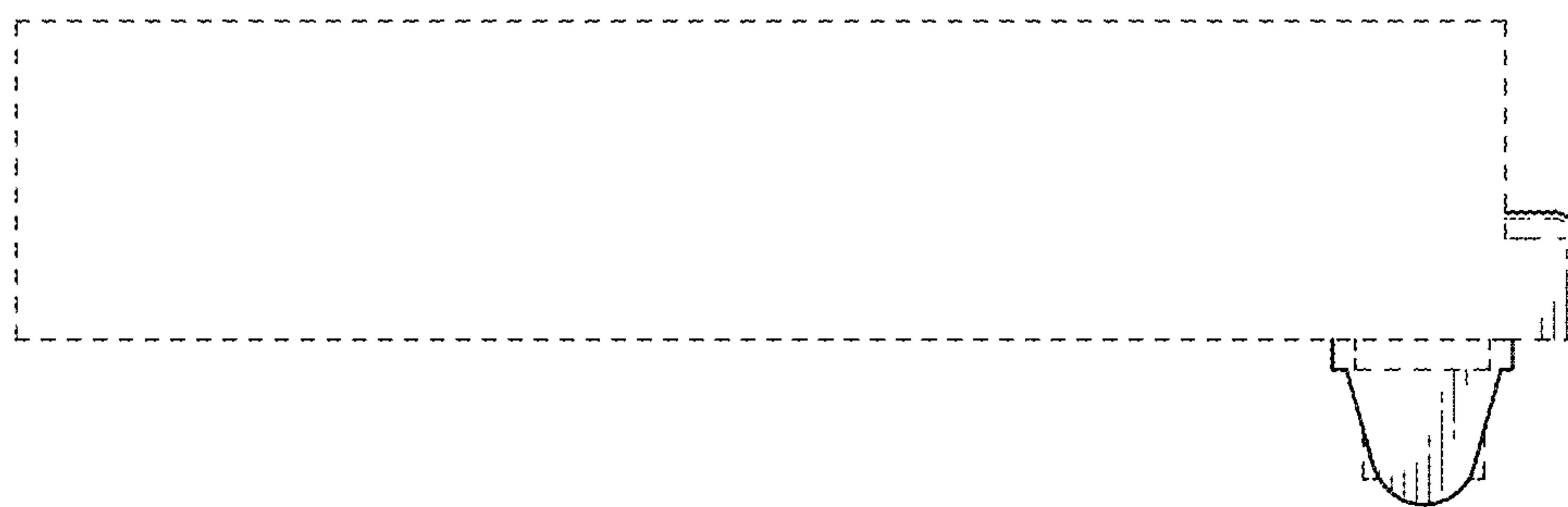


FIG. 7

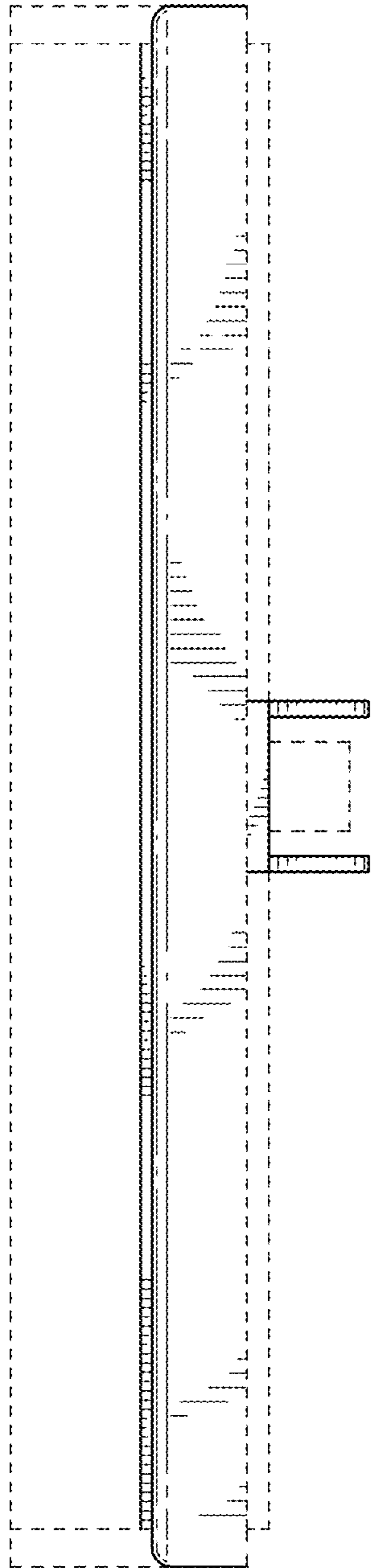


FIG. 8

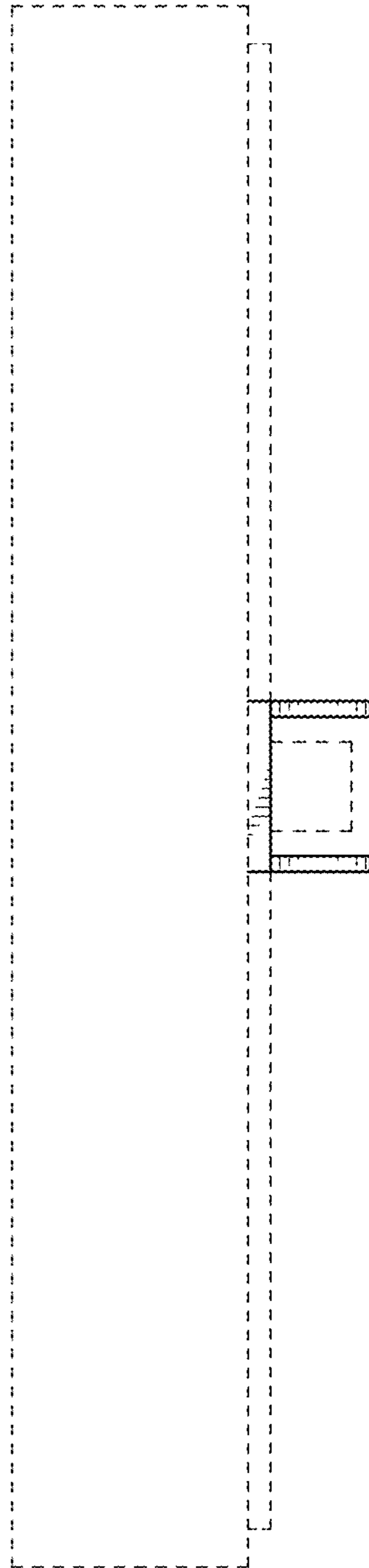


FIG. 9

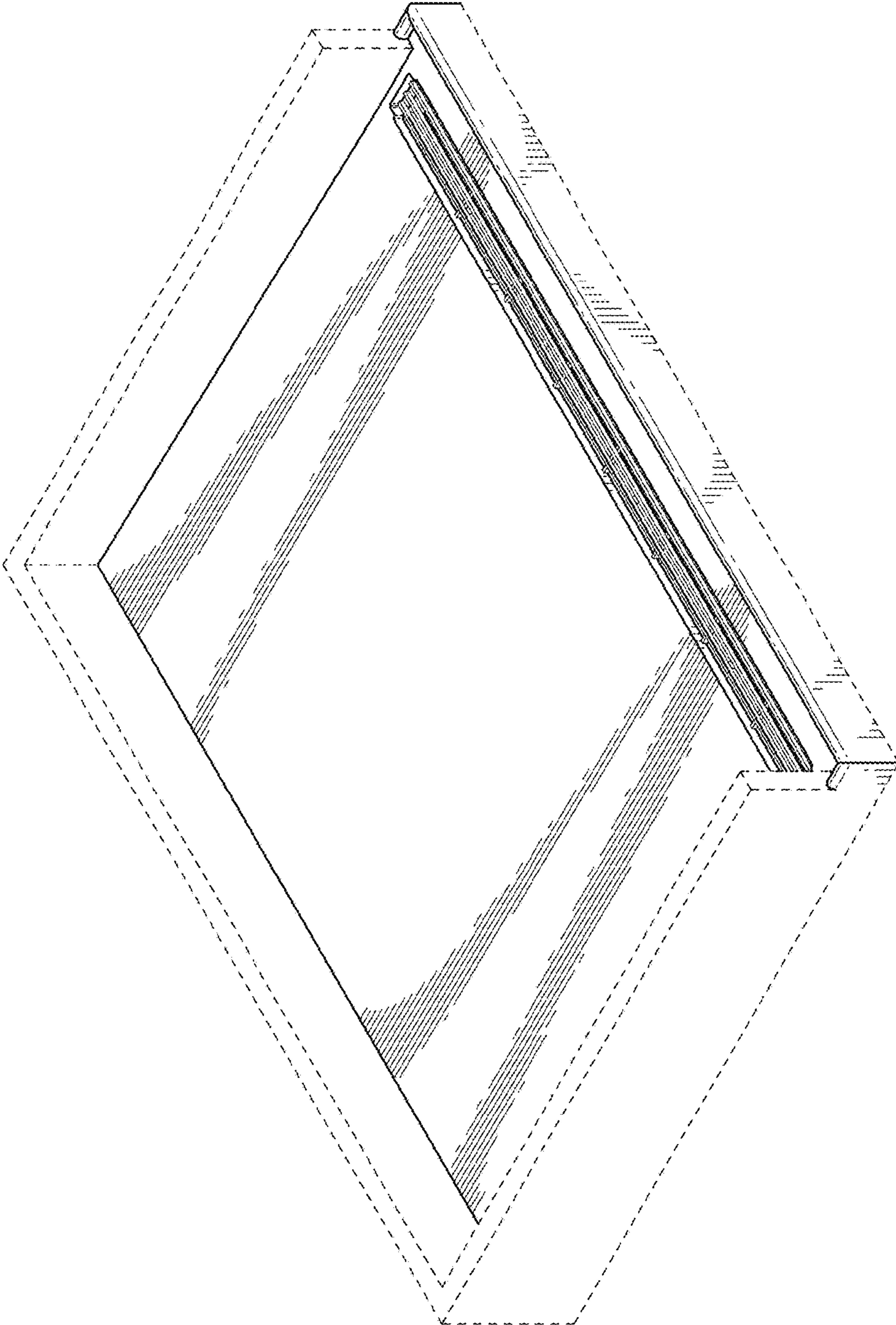




FIG. 10

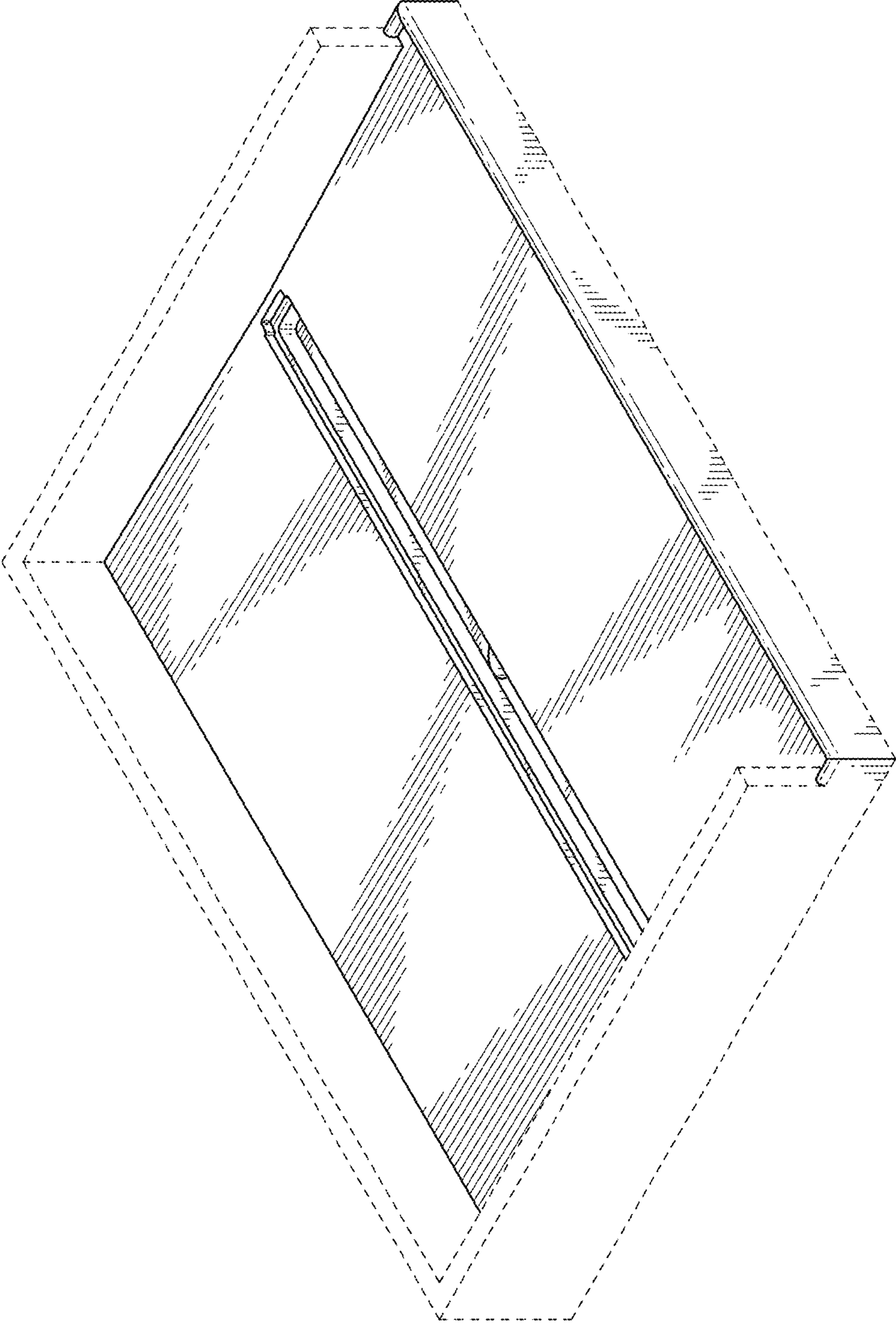


FIG. 11

